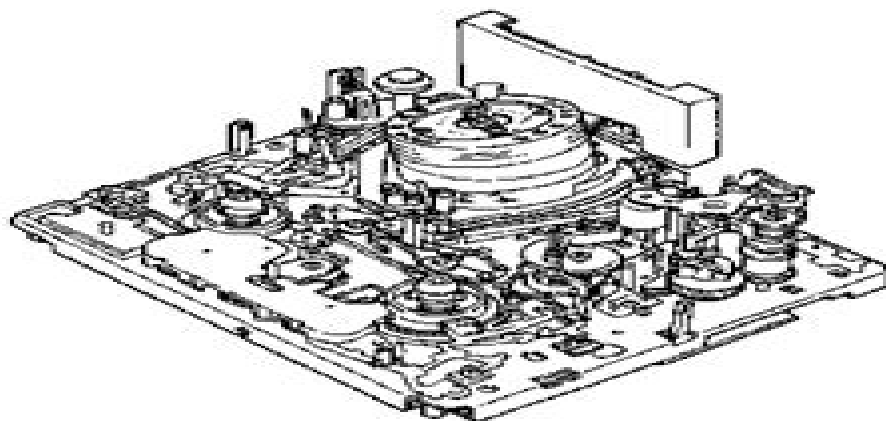
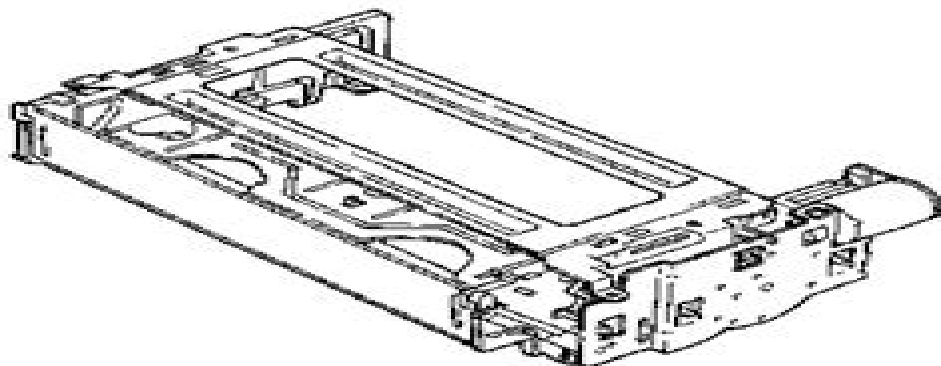


VHS MECHANICAL ADJUSTMENT MANUAL II

- Please use in conjunction with the SERVICE MANUAL.
- This VHS MECHANICAL ADJUSTMENT MANUAL II can be used for NTSC system and PAL system.



VHS VIDEO RECORDER
SONY



Vcr Repair Manual

IM Harris



Vcr Repair Manual:

VCR Troubleshooting and Repair Gregory Capelo, Robert C. Brenner, 1998-06-26 Focuses on preventative maintenance Basic electronics principles are presented as they relate to VCR performance Revised with technical input from major manufacturers Chilton's Guide to VCR Repair and Maintenance Gene B. Williams, Tommy Kay, 1985-09 **Technician's Handbook of VCR Repair** John P. Steiner, 1990 Based on specifications and information from major VCR and test equipment manufacturers with the author's diagnostic and repair techniques this text provides the training needed by repair technicians Annotation copyrighted by Book News Inc Portland OR Home VCR Repair Illustrated Richard C. Wilkins, 1999 A guide to repairing videorecorders written for the do it yourselfer Writing and Designing Manuals, 2010-12-12 A survival guide for writers in the real world Writing and Designing Manuals Third Edition has become a standard reference for technical writers and editors Readable and practical it addresses all aspects of manual development from choosing a format to writing effective warnings Not limited to text elements the manual also provides guidance for designing illustrations to complement the text and underscore the safety warnings The completely revised and updated Third Edition includes Current materials on desktop publishing Alternative media such as videos CD ROMs and on line help The impact of new technology such as CD ROMs and digital cameras on manual design and production New regulations for products sold overseas Impact of the Internet on manual design Gone are the days when a manual might be a few pages of typewritten text Thanks to the advances in computer technology even tiny companies can produce slick professional publications Writing and Designing Manuals Third Edition guides you through the messy complex frustrating and fascinating business of producing manuals

ES&T Presents VCR Troubleshooting and Repair J. B. Hall, Nils Conrad Perrson, 1999 This book provides information that can help solve troubleshooting repairs before they interfere with your deadlines Whether you are an electronics hobbyist or a professional technician this book reveals insider tips and secrets that can increase your proficiency and production **SSC**. United States. Ship Structure Committee, 1997, Popular Mechanics, 1990-10 Popular Mechanics inspires instructs and influences readers to help them master the modern world Whether it's practical DIY home improvement tips gadgets and digital technology information on the newest cars or the latest breakthroughs in science PM is the ultimate guide to our high tech lifestyle Popular Mechanics, 1986-06 Popular Mechanics inspires instructs and influences readers to help them master the modern world Whether it's practical DIY home improvement tips gadgets and digital technology information on the newest cars or the latest breakthroughs in science PM is the ultimate guide to our high tech lifestyle **Popular Mechanics**, 1993-07 Popular Mechanics inspires instructs and influences readers to help them master the modern world Whether it's practical DIY home improvement tips gadgets and digital technology information on the newest cars or the latest breakthroughs in science PM is the ultimate guide to our high tech lifestyle **Popular Science**, 1986-02 Popular Science gives our readers the information and tools to improve their technology and their world

The core belief that Popular Science and our readers share The future is going to be better and science and technology are the driving forces that will help make it better *Popular Mechanics* ,1953-08 Popular Mechanics inspires instructs and influences readers to help them master the modern world Whether it s practical DIY home improvement tips gadgets and digital technology information on the newest cars or the latest breakthroughs in science PM is the ultimate guide to our high tech lifestyle *Popular Mechanics* ,1991-11 Popular Mechanics inspires instructs and influences readers to help them master the modern world Whether it s practical DIY home improvement tips gadgets and digital technology information on the newest cars or the latest breakthroughs in science PM is the ultimate guide to our high tech lifestyle **Popular Science** ,1992-06 Popular Science gives our readers the information and tools to improve their technology and their world The core belief that Popular Science and our readers share The future is going to be better and science and technology are the driving forces that will help make it better *Popular Science* ,1988-02 Popular Science gives our readers the information and tools to improve their technology and their world The core belief that Popular Science and our readers share The future is going to be better and science and technology are the driving forces that will help make it better **Popular Mechanics** ,1991-09 Popular Mechanics inspires instructs and influences readers to help them master the modern world Whether it s practical DIY home improvement tips gadgets and digital technology information on the newest cars or the latest breakthroughs in science PM is the ultimate guide to our high tech lifestyle **Popular Science** ,1990-10 Popular Science gives our readers the information and tools to improve their technology and their world The core belief that Popular Science and our readers share The future is going to be better and science and technology are the driving forces that will help make it better **Popular Science** ,1992-04 Popular Science gives our readers the information and tools to improve their technology and their world The core belief that Popular Science and our readers share The future is going to be better and science and technology are the driving forces that will help make it better *Video Microscopy* Shinya Inoue,2013-11-11 Ever since television became practical in the early 1950s closed circuit television CCTV in conjunction with the light microscope has provided large screen display raised image contrast and made the images formed by ultraviolet and infrared rays visible With the introduction of large scale integrated circuits in the last decade TV equipment has improved by leaps and bounds as has its application in microscopy With modem CCTV sometimes with the help of digital computers we can distill the image from a scene that appears to be nothing but noise capture fluorescence too dim to be seen visualize structures far below the limit of resolution crisper images hidden in fog measure count and sort objects and record in time lapsed and high speed sequences through the light microscope without great difficulty In fact video is becoming indispensable for harnessing the fullest capacity of the light microscope a capacity that itself is much greater than could have been envisioned just a few years ago The time seemed ripe then to review the basics of video and of microscopy and to examine how the two could best be combined to accomplish these tasks The Marine Biological Laboratory short courses on

Analytical and Quantitative Light Microscopy in Biology Medicine and the Materials Sciences and the many inquiries I received on video microscopy supported such an effort and Kirk Jensen of Plenum Press persuaded me of its worth

Thank you enormously much for downloading **Vcr Repair Manual**. Maybe you have knowledge that, people have seen numerous times for their favorite books past this Vcr Repair Manual, but end occurring in harmful downloads.

Rather than enjoying a good PDF subsequently a cup of coffee in the afternoon, then again they juggled afterward some harmful virus inside their computer. **Vcr Repair Manual** is easy to get to in our digital library an online entrance to it is set as public fittingly you can download it instantly. Our digital library saves in compound countries, allowing you to acquire the most less latency time to download any of our books next this one. Merely said, the Vcr Repair Manual is universally compatible in imitation of any devices to read.

https://letsgetcooking.org.uk/public/detail/Documents/Nec_Dt700_Series_Service_Manual.pdf

Table of Contents Vcr Repair Manual

1. Understanding the eBook Vcr Repair Manual
 - The Rise of Digital Reading Vcr Repair Manual
 - Advantages of eBooks Over Traditional Books
2. Identifying Vcr Repair Manual
 - Exploring Different Genres
 - Considering Fiction vs. Non-Fiction
 - Determining Your Reading Goals
3. Choosing the Right eBook Platform
 - Popular eBook Platforms
 - Features to Look for in an Vcr Repair Manual
 - User-Friendly Interface
4. Exploring eBook Recommendations from Vcr Repair Manual
 - Personalized Recommendations
 - Vcr Repair Manual User Reviews and Ratings
 - Vcr Repair Manual and Bestseller Lists

5. Accessing Vcr Repair Manual Free and Paid eBooks
 - Vcr Repair Manual Public Domain eBooks
 - Vcr Repair Manual eBook Subscription Services
 - Vcr Repair Manual Budget-Friendly Options
6. Navigating Vcr Repair Manual eBook Formats
 - ePub, PDF, MOBI, and More
 - Vcr Repair Manual Compatibility with Devices
 - Vcr Repair Manual Enhanced eBook Features
7. Enhancing Your Reading Experience
 - Adjustable Fonts and Text Sizes of Vcr Repair Manual
 - Highlighting and Note-Taking Vcr Repair Manual
 - Interactive Elements Vcr Repair Manual
8. Staying Engaged with Vcr Repair Manual
 - Joining Online Reading Communities
 - Participating in Virtual Book Clubs
 - Following Authors and Publishers Vcr Repair Manual
9. Balancing eBooks and Physical Books Vcr Repair Manual
 - Benefits of a Digital Library
 - Creating a Diverse Reading Collection Vcr Repair Manual
10. Overcoming Reading Challenges
 - Dealing with Digital Eye Strain
 - Minimizing Distractions
 - Managing Screen Time
11. Cultivating a Reading Routine Vcr Repair Manual
 - Setting Reading Goals Vcr Repair Manual
 - Carving Out Dedicated Reading Time
12. Sourcing Reliable Information of Vcr Repair Manual
 - Fact-Checking eBook Content of Vcr Repair Manual
 - Distinguishing Credible Sources
13. Promoting Lifelong Learning

- Utilizing eBooks for Skill Development
 - Exploring Educational eBooks
14. Embracing eBook Trends
- Integration of Multimedia Elements
 - Interactive and Gamified eBooks

Vcr Repair Manual Introduction

Free PDF Books and Manuals for Download: Unlocking Knowledge at Your Fingertips In today's fast-paced digital age, obtaining valuable knowledge has become easier than ever. Thanks to the internet, a vast array of books and manuals are now available for free download in PDF format. Whether you are a student, professional, or simply an avid reader, this treasure trove of downloadable resources offers a wealth of information, conveniently accessible anytime, anywhere. The advent of online libraries and platforms dedicated to sharing knowledge has revolutionized the way we consume information. No longer confined to physical libraries or bookstores, readers can now access an extensive collection of digital books and manuals with just a few clicks. These resources, available in PDF, Microsoft Word, and PowerPoint formats, cater to a wide range of interests, including literature, technology, science, history, and much more. One notable platform where you can explore and download free Vcr Repair Manual PDF books and manuals is the internet's largest free library. Hosted online, this catalog compiles a vast assortment of documents, making it a veritable goldmine of knowledge. With its easy-to-use website interface and customizable PDF generator, this platform offers a user-friendly experience, allowing individuals to effortlessly navigate and access the information they seek. The availability of free PDF books and manuals on this platform demonstrates its commitment to democratizing education and empowering individuals with the tools needed to succeed in their chosen fields. It allows anyone, regardless of their background or financial limitations, to expand their horizons and gain insights from experts in various disciplines. One of the most significant advantages of downloading PDF books and manuals lies in their portability. Unlike physical copies, digital books can be stored and carried on a single device, such as a tablet or smartphone, saving valuable space and weight. This convenience makes it possible for readers to have their entire library at their fingertips, whether they are commuting, traveling, or simply enjoying a lazy afternoon at home. Additionally, digital files are easily searchable, enabling readers to locate specific information within seconds. With a few keystrokes, users can search for keywords, topics, or phrases, making research and finding relevant information a breeze. This efficiency saves time and effort, streamlining the learning process and allowing individuals to focus on extracting the information they need. Furthermore, the availability of free PDF books and manuals fosters a culture of continuous learning. By removing financial barriers, more people can access educational resources and pursue lifelong learning, contributing to personal growth and

professional development. This democratization of knowledge promotes intellectual curiosity and empowers individuals to become lifelong learners, promoting progress and innovation in various fields. It is worth noting that while accessing free Vcr Repair Manual PDF books and manuals is convenient and cost-effective, it is vital to respect copyright laws and intellectual property rights. Platforms offering free downloads often operate within legal boundaries, ensuring that the materials they provide are either in the public domain or authorized for distribution. By adhering to copyright laws, users can enjoy the benefits of free access to knowledge while supporting the authors and publishers who make these resources available. In conclusion, the availability of Vcr Repair Manual free PDF books and manuals for download has revolutionized the way we access and consume knowledge. With just a few clicks, individuals can explore a vast collection of resources across different disciplines, all free of charge. This accessibility empowers individuals to become lifelong learners, contributing to personal growth, professional development, and the advancement of society as a whole. So why not unlock a world of knowledge today? Start exploring the vast sea of free PDF books and manuals waiting to be discovered right at your fingertips.

FAQs About Vcr Repair Manual Books

How do I know which eBook platform is the best for me? Finding the best eBook platform depends on your reading preferences and device compatibility. Research different platforms, read user reviews, and explore their features before making a choice. Are free eBooks of good quality? Yes, many reputable platforms offer high-quality free eBooks, including classics and public domain works. However, make sure to verify the source to ensure the eBook credibility. Can I read eBooks without an eReader? Absolutely! Most eBook platforms offer webbased readers or mobile apps that allow you to read eBooks on your computer, tablet, or smartphone. How do I avoid digital eye strain while reading eBooks? To prevent digital eye strain, take regular breaks, adjust the font size and background color, and ensure proper lighting while reading eBooks. What the advantage of interactive eBooks? Interactive eBooks incorporate multimedia elements, quizzes, and activities, enhancing the reader engagement and providing a more immersive learning experience. Vcr Repair Manual is one of the best book in our library for free trial. We provide copy of Vcr Repair Manual in digital format, so the resources that you find are reliable. There are also many Ebooks of related with Vcr Repair Manual. Where to download Vcr Repair Manual online for free? Are you looking for Vcr Repair Manual PDF? This is definitely going to save you time and cash in something you should think about. If you trying to find then search around for online. Without a doubt there are numerous these available and many of them have the freedom. However without doubt you receive whatever you purchase. An alternate way to get ideas is always to check another Vcr Repair Manual. This method for see exactly what may be included and adopt these ideas to your book. This site will almost certainly help you save time and effort, money and stress. If you are looking for free books then

you really should consider finding to assist you try this. Several of Vcr Repair Manual are for sale to free while some are payable. If you arent sure if the books you would like to download works with for usage along with your computer, it is possible to download free trials. The free guides make it easy for someone to free access online library for download books to your device. You can get free download on free trial for lots of books categories. Our library is the biggest of these that have literally hundreds of thousands of different products categories represented. You will also see that there are specific sites catered to different product types or categories, brands or niches related with Vcr Repair Manual. So depending on what exactly you are searching, you will be able to choose e books to suit your own need. Need to access completely for Campbell Biology Seventh Edition book? Access Ebook without any digging. And by having access to our ebook online or by storing it on your computer, you have convenient answers with Vcr Repair Manual To get started finding Vcr Repair Manual, you are right to find our website which has a comprehensive collection of books online. Our library is the biggest of these that have literally hundreds of thousands of different products represented. You will also see that there are specific sites catered to different categories or niches related with Vcr Repair Manual So depending on what exactly you are searching, you will be able to choose ebook to suit your own need. Thank you for reading Vcr Repair Manual. Maybe you have knowledge that, people have search numerous times for their favorite readings like this Vcr Repair Manual, but end up in harmful downloads. Rather than reading a good book with a cup of coffee in the afternoon, instead they juggled with some harmful bugs inside their laptop. Vcr Repair Manual is available in our book collection an online access to it is set as public so you can download it instantly. Our digital library spans in multiple locations, allowing you to get the most less latency time to download any of our books like this one. Merely said, Vcr Repair Manual is universally compatible with any devices to read.

Find Vcr Repair Manual :

nec dt700 series service manual

navy bean and ham hocks recipe

[ncss user s guide iv com](#)

ndfs 100 study guide

~~nc dept motor vehicles forms~~

ncert english guide class 11th 2013

navision edi mapping guide

navidad en zarahemla spanish edition

nd bhatt engineering drawing

~~ncs poems and short stories afrikaans~~

nec 0sxi user guide

[nec dterm series ii manual](#)

nccpt exam study guide

nc dmv road signs study guide

ncac certification exam preparation**Vcr Repair Manual :**

Nesta Mma Conditioning Association Test Answers Pdf Nesta Mma Conditioning Association Test Answers Pdf.

INTRODUCTION Nesta Mma Conditioning Association Test Answers Pdf Copy. NESTA PFT Exam Prep Flashcards Study with Quizlet and memorize flashcards containing terms like What are the four steps in "Bridging the Gap"?, What is an implicit goal?, ... Personal Fitness Trainer Certification Text | Practice Exam There are 125 questions in the sample test, and the questions ... You will have 2 hours to complete the actual NESTA Personal Fitness Trainer Certification exam. NESTA PFT Review 2023 - NESTA's Great CPT Cert? Oct 9, 2023 — The NESTA personal fitness trainer certification exam allows for 120 minutes to complete the 125 question exam. It is not a difficult exam ... Fitness Assessments for MMA Fighters and Combat Athletes Learn more at the MMA Conditioning Association about training and coaching martial artists of all styles. Assessing fitness is needed and ... Become a Certified MMA Conditioning Coach It is 100 questions, primarily multiple-choice exam. ... Do I have to be a NESTA (parent association) member to qualify to become an MMA Conditioning Coach? How to renew your MMA Conditioning Coach Certification MMA Conditioning Coach Certification Renewal Quiz. Simply answer the questions below and your steps will be provided. Have you completed any programs from ... What is the job of a Certified MMA Conditioning Coach? Choosing the Right Certification & Passing the Exam (What Strength Coaches Need to Know). Brett Bartholomew•8.6K views · 8:42 · Go to channel ... NESTA Practice Exam Questions Flashcards Study Flashcards On NESTA Practice Exam Questions at Cram.com. Quickly memorize the terms, phrases and much more. Cram.com makes it easy to get the grade ... Mixedmartialartsconditioningass... Click on our new MMACA Recertification Renewal Quiz for assistance. Or, renew online or download the renewal application and guide. It's actually quite easy! I need the timing chain marks and diagram for a ford May 23, 2008 — here are the instructions for the timing chain and the specs for the connecting rod torque for the 5.4 eng. Thanks for using Just Answer.Jerry. Timing Schematic for F150 5.4L 2v Mar 30, 2018 — best to do it with a tool. Then you just put the black chain links on the mark on mark on the crank sprocket, and then the links on the correct ... Setting the timing on 05 5.4l 3V - Ford Truck Enthusiasts Aug 20, 2020 — Okay, I watched the FordTechMakuLoco series about 50 times. I am about to put on the new timing chain. Doesn't piston #1 have to be TDC? heres a pic of all 5.4 timing marks Feb 28, 2012 — 2004 - 2008 Ford F150 - heres a pic of all 5.4 timing marks - found this wanted to share ... Changing

Ford 5.4L Triton Phasers and Timing Chain Mar 25, 2022 — Detailed guide on replacing the timing chain and phasers on a 5.4L Triton engine describing each step, required tools, and parts needed to ... Ford 5.4L V8 2V timing chain color links moved. Mar 28, 2020 — I installed the chain tensioners. 3. I rotated the crankshaft to test it out. 4. When the color links rotated back into view, the camshaft color ... Microsoft SQL Server 2012 Unleashed by Rankins, Ray Microsoft SQL Server 2012 Unleashed [Rankins, Ray, Bertucci, Paul, Gallelli, Chris, Silverstein, Alex T., Cotter, Hilary] on Amazon.com. Microsoft SQL Server 2012 Unleashed by Rankins, Ray ... Microsoft SQL Server 2012 Unleashed by Rankins, Ray Published by Sams Publishing 1st (first) edition (2013) Paperback [Ray Rankins] on Amazon.com. Microsoft SQL Server 2012 Unleashed Buy the print version of Microsoft SQL Server 2012 Unleashed and get the eBook version for free! eBook ... By Ray Rankins, Paul Bertucci, Chris Gallelli, Alex T. ray rankins paul bertucci chris Microsoft SQL Server 2005 Unleashed by Ray Rankins, Paul Bertucci, Chris Gallelli, Alex T. Silverstein and a great selection of related books, ... Microsoft SQL Server 2012 Unleashed book by Ray Rankins Buy a cheap copy of Microsoft SQL Server 2012 Unleashed book by Ray Rankins. Buy the print version of Microsoft SQL Server 2012 Unleashed and get the eBook ... Microsoft SQL Server 2012 Unleashed Microsoft SQL Server 2012 Unleashed. ... by Ray Rankins, Paul Bertucci, Chris Gallel. No reviews. Choose a condition ... Microsoft SQL Server 2012 Unleashed: | Guide books Dec 13, 2013 — Buy the print version of Microsoft SQL Server 2012 Unleashed and get the eBook version for free! ... Ray Rankins. Publication Years1996 - 2015 ... Microsoft® SQL Server 2012 Unleashed Ray Rankins is owner and president of Gotham Consulting Services, Inc. (http ... Ray is coauthor of Microsoft SQL Server 2008 R2 Unleashed, Microsoft SQL Server ... Microsoft SQL Server 2012 Unleashed Microsoft SQL Server 2012 Unleashed. 8 ratings by Goodreads · Ray Rankins, Paul Bertucci, Chris Gallelli, Alex T. Silverstein, Hilary Cotter. Published by Sams ... Pre-Owned Microsoft SQL Server 2012 Unleashed ... Pre-Owned Microsoft SQL Server 2012 Unleashed Paperback 0672336928 9780672336928 Ray Rankins, Paul Bertucci, Chris Gallelli, Alex T. Silverstein, Hilary Cotter.