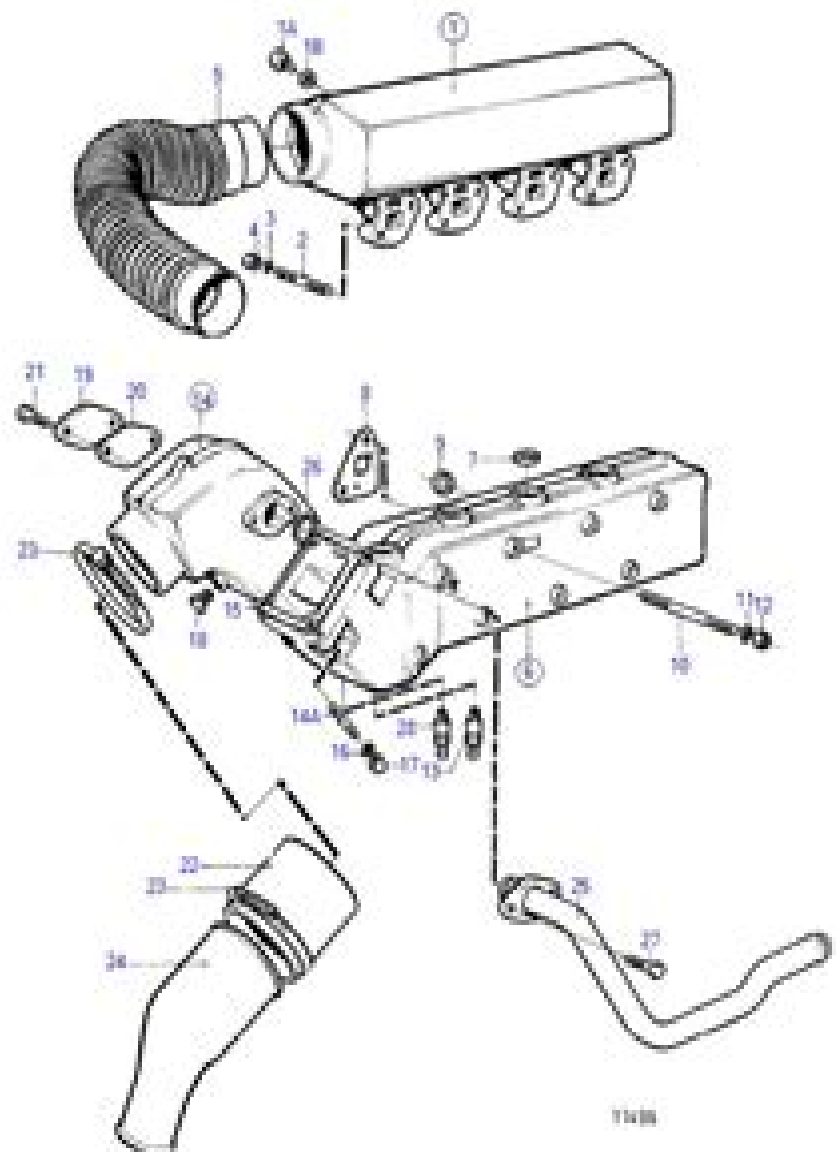


MD31A



Volvo Penta Md31a Manual

N N



Volvo Penta Md31a Manual:

VOLVO PENTA MD 5 Volvo Penta,2015-04-13 *VOLVO PENTA MD 11C, C, MD 17C, D* Volvo Penta,2014-03-01

VOLVO PENTA MD2010, MD2020, MD2030, MD2040 Volvo Penta,2014-03-02 Volvo Penta Service and Overhaul Manual A. T. Burgess,1994 **Volvo Penta** (Seloc) Seloc,2008 This manual covers the topics that a factory service manual

designed for factory trained mechanics and a manufacturer owner s manual designed more by lawyers than boat owners these days covers It will take you through the basics of maintaining and repairing your motor step by step to help you understand what the factory trained mechanics already know by heart Page 1 2 **Volvo Penta Service & Overhaul**

Manual Alan T. Burgess,1976 *VOLVO PENTA MD5A MARINE DIESEL ENGINE* Albin,2014-03-01 **VOLVO Penta**

Workshop Manual ,1986 **Volvo Penta MD2010, MD2020, MD2030, MD2040** N N,2012-05 Workshop Manual for Volvo Penta Marine Engines MD2010 MD2020 MD2030 MD2040 VOLVO Penta Workshop Manual ,1986 **Workshop**

Manual ,1985 Pub no 77300424 **Workshop Manual** Volvo Penta (Firm),1970 **Workshop Manual** Volvo Penta (Firm),1970 Volvo Penta Stern Drive Shop Manual 2001-2004 Penton Staff,2000-05-24 30GS 3 0L in line 4 cylinder 135 HP 43GL 4 3L V 6 160 HP 43GI 4 3L V 6 180 HP 43GXI 4 3L V 6 210 HP 50GL 5 0L V 8 220 HP 50GI 5 0L V 8 250 HP 50GXI 5 0L V 8 270 HP 57GS 5 7L V 8 225 HP 57GS 5 7L V 8 250 HP 57GSI 5 7L V 8 280 H *Operating Manual for Volvo Penta Marine Diesel Engines MD 47, MD 67, MD 96, TMD 96* Volvo Penta (Firm). Technical Information Department,1962

Volvo Penta MD 11C, C, MD 17C, D N N,2012-05 Reprint of the official Instruction Book about VOLVO PENTA Marine Engines Type MD 11C C MD 17C and D *Workshop Manual* ,1984 **Seloc's Volvo Penta Stern Drive** Joan Coles,Clarence W. Coles,1984 *Volvo-Penta Stern Drives, 1992-93* Joan Coles,Clarence W. Coles,1998-03 SELOC Marine maintenance and repair manuals offer the most comprehensive authoritative information available for outboard inboard stern drive and diesel engines as well as personal watercraft SELOC has been the leading source of how to information for the marine industry since 1974 Designed and written to serve the needs of the professional mechanic do it yourself boat enthusiast instructor and student these manuals are based on actual teardowns done by Chilton Marine s editors authors in our on site facility Providing complete coverage on everything from basic maintenance to engine overhaul every manual features Simple to follow step by step illustrated procedures Hundreds of exploded drawings photographs and tables Troubleshooting sections accurate specifications and wiring diagrams Recognized and used by technical trade schools as well as the U S military Covers all Single SP and Duo Prop DP models powered by Volvo 4 cylinder engines Over 750 illustrations

Volvo Penta MD5A Marine Diesel Engine N N,2012-05 Reprint of the Workshop Manual of the well known Volvo Penta MD5A Marine Diesel Engine

Unveiling the Power of Verbal Beauty: An Emotional Sojourn through **Volvo Penta Md31a Manual**

In some sort of inundated with displays and the cacophony of instantaneous communication, the profound power and psychological resonance of verbal art frequently diminish into obscurity, eclipsed by the constant barrage of sound and distractions. Yet, nestled within the lyrical pages of **Volvo Penta Md31a Manual**, a charming work of fictional splendor that impulses with organic feelings, lies an unforgettable trip waiting to be embarked upon. Written by way of a virtuoso wordsmith, this magical opus instructions visitors on a psychological odyssey, gently revealing the latent potential and profound impact embedded within the delicate internet of language. Within the heart-wrenching expanse of the evocative evaluation, we will embark upon an introspective exploration of the book is main themes, dissect its fascinating writing design, and immerse ourselves in the indelible impact it leaves upon the depths of readers souls.

<https://letsgetcooking.org.uk/book/detail/HomePages/Study%20Guide%20Maintenance%20Helper.pdf>

Table of Contents Volvo Penta Md31a Manual

1. Understanding the eBook Volvo Penta Md31a Manual
 - The Rise of Digital Reading Volvo Penta Md31a Manual
 - Advantages of eBooks Over Traditional Books
2. Identifying Volvo Penta Md31a Manual
 - Exploring Different Genres
 - Considering Fiction vs. Non-Fiction
 - Determining Your Reading Goals
3. Choosing the Right eBook Platform
 - Popular eBook Platforms
 - Features to Look for in an Volvo Penta Md31a Manual
 - User-Friendly Interface
4. Exploring eBook Recommendations from Volvo Penta Md31a Manual
 - Personalized Recommendations

- Volvo Penta Md31a Manual User Reviews and Ratings
- Volvo Penta Md31a Manual and Bestseller Lists
- 5. Accessing Volvo Penta Md31a Manual Free and Paid eBooks
 - Volvo Penta Md31a Manual Public Domain eBooks
 - Volvo Penta Md31a Manual eBook Subscription Services
 - Volvo Penta Md31a Manual Budget-Friendly Options
- 6. Navigating Volvo Penta Md31a Manual eBook Formats
 - ePub, PDF, MOBI, and More
 - Volvo Penta Md31a Manual Compatibility with Devices
 - Volvo Penta Md31a Manual Enhanced eBook Features
- 7. Enhancing Your Reading Experience
 - Adjustable Fonts and Text Sizes of Volvo Penta Md31a Manual
 - Highlighting and Note-Taking Volvo Penta Md31a Manual
 - Interactive Elements Volvo Penta Md31a Manual
- 8. Staying Engaged with Volvo Penta Md31a Manual
 - Joining Online Reading Communities
 - Participating in Virtual Book Clubs
 - Following Authors and Publishers Volvo Penta Md31a Manual
- 9. Balancing eBooks and Physical Books Volvo Penta Md31a Manual
 - Benefits of a Digital Library
 - Creating a Diverse Reading Collection Volvo Penta Md31a Manual
- 10. Overcoming Reading Challenges
 - Dealing with Digital Eye Strain
 - Minimizing Distractions
 - Managing Screen Time
- 11. Cultivating a Reading Routine Volvo Penta Md31a Manual
 - Setting Reading Goals Volvo Penta Md31a Manual
 - Carving Out Dedicated Reading Time
- 12. Sourcing Reliable Information of Volvo Penta Md31a Manual
 - Fact-Checking eBook Content of Volvo Penta Md31a Manual

- Distinguishing Credible Sources
13. Promoting Lifelong Learning
 - Utilizing eBooks for Skill Development
 - Exploring Educational eBooks
 14. Embracing eBook Trends
 - Integration of Multimedia Elements
 - Interactive and Gamified eBooks

Volvo Penta Md31a Manual Introduction

Volvo Penta Md31a Manual Offers over 60,000 free eBooks, including many classics that are in the public domain. Open Library: Provides access to over 1 million free eBooks, including classic literature and contemporary works. Volvo Penta Md31a Manual Offers a vast collection of books, some of which are available for free as PDF downloads, particularly older books in the public domain. Volvo Penta Md31a Manual : This website hosts a vast collection of scientific articles, books, and textbooks. While it operates in a legal gray area due to copyright issues, its a popular resource for finding various publications. Internet Archive for Volvo Penta Md31a Manual : Has an extensive collection of digital content, including books, articles, videos, and more. It has a massive library of free downloadable books. Free-eBooks Volvo Penta Md31a Manual Offers a diverse range of free eBooks across various genres. Volvo Penta Md31a Manual Focuses mainly on educational books, textbooks, and business books. It offers free PDF downloads for educational purposes. Volvo Penta Md31a Manual Provides a large selection of free eBooks in different genres, which are available for download in various formats, including PDF. Finding specific Volvo Penta Md31a Manual, especially related to Volvo Penta Md31a Manual, might be challenging as theyre often artistic creations rather than practical blueprints. However, you can explore the following steps to search for or create your own Online Searches: Look for websites, forums, or blogs dedicated to Volvo Penta Md31a Manual, Sometimes enthusiasts share their designs or concepts in PDF format. Books and Magazines Some Volvo Penta Md31a Manual books or magazines might include. Look for these in online stores or libraries. Remember that while Volvo Penta Md31a Manual, sharing copyrighted material without permission is not legal. Always ensure youre either creating your own or obtaining them from legitimate sources that allow sharing and downloading. Library Check if your local library offers eBook lending services. Many libraries have digital catalogs where you can borrow Volvo Penta Md31a Manual eBooks for free, including popular titles. Online Retailers: Websites like Amazon, Google Books, or Apple Books often sell eBooks. Sometimes, authors or publishers offer promotions or free periods for certain books. Authors Website Occasionally, authors provide excerpts or short stories for free on their websites. While this might not be the Volvo Penta Md31a Manual full book , it can give you a taste of

the authors writing style. Subscription Services Platforms like Kindle Unlimited or Scribd offer subscription-based access to a wide range of Volvo Penta Md31a Manual eBooks, including some popular titles.

FAQs About Volvo Penta Md31a Manual Books

What is a Volvo Penta Md31a Manual PDF? A PDF (Portable Document Format) is a file format developed by Adobe that preserves the layout and formatting of a document, regardless of the software, hardware, or operating system used to view or print it. **How do I create a Volvo Penta Md31a Manual PDF?** There are several ways to create a PDF: Use software like Adobe Acrobat, Microsoft Word, or Google Docs, which often have built-in PDF creation tools. Print to PDF: Many applications and operating systems have a "Print to PDF" option that allows you to save a document as a PDF file instead of printing it on paper. Online converters: There are various online tools that can convert different file types to PDF. **How do I edit a Volvo Penta Md31a Manual PDF?** Editing a PDF can be done with software like Adobe Acrobat, which allows direct editing of text, images, and other elements within the PDF. Some free tools, like PDFescape or Smallpdf, also offer basic editing capabilities. **How do I convert a Volvo Penta Md31a Manual PDF to another file format?** There are multiple ways to convert a PDF to another format: Use online converters like Smallpdf, Zamzar, or Adobe Acrobats export feature to convert PDFs to formats like Word, Excel, JPEG, etc. Software like Adobe Acrobat, Microsoft Word, or other PDF editors may have options to export or save PDFs in different formats. **How do I password-protect a Volvo Penta Md31a Manual PDF?** Most PDF editing software allows you to add password protection. In Adobe Acrobat, for instance, you can go to "File" -> "Properties" -> "Security" to set a password to restrict access or editing capabilities. Are there any free alternatives to Adobe Acrobat for working with PDFs? Yes, there are many free alternatives for working with PDFs, such as: LibreOffice: Offers PDF editing features. PDFsam: Allows splitting, merging, and editing PDFs. Foxit Reader: Provides basic PDF viewing and editing capabilities. How do I compress a PDF file? You can use online tools like Smallpdf, ILovePDF, or desktop software like Adobe Acrobat to compress PDF files without significant quality loss. Compression reduces the file size, making it easier to share and download. Can I fill out forms in a PDF file? Yes, most PDF viewers/editors like Adobe Acrobat, Preview (on Mac), or various online tools allow you to fill out forms in PDF files by selecting text fields and entering information. Are there any restrictions when working with PDFs? Some PDFs might have restrictions set by their creator, such as password protection, editing restrictions, or print restrictions. Breaking these restrictions might require specific software or tools, which may or may not be legal depending on the circumstances and local laws.

Find Volvo Penta Md31a Manual :

study guide maintenance helper

[study guide for quickbooks certification](#)

study guide for frankenstein answer key

study guide for content mastery teachers addition

study guide mastery

[study guide for into the wild](#)

[study guide for the bfg](#)

study guide maternal child hesi

study guide for maths literacy

[study guide for understanding management 7th edition](#)

[study guide for smr](#)

study guide for dtr exam

study guide pharmacy technician exam

[study guide for oiler exam new york](#)

[study guide latin america answers](#)

Volvo Penta Md31a Manual :

20 fun travel trivia questions for kids dk uk - Sep 23 2021

web we ve all been missing getting out and seeing the world in recent months and for kids travel is an important way to learn about new places cultures and the planet here are

[answers to junior scholastic world trip whoops book](#) - Mar 10 2023

web answers to junior scholastic world trip whoops whitewashing white racists may 10 2022 junior scholastic 1986 oct 15 2022 how america works aug 21 2020

[answers to junior scholastic world trip whoops download](#) - Mar 30 2022

web answers to junior scholastic world trip whoops i am malala private yankee doodle being a narrative of some of the adventures dangers and sufferings of a

answers to junior scholastic world trip whoops download only - Dec 07 2022

web scholastic book of world records 2022 aug 04 2022 it s been another year of amazing facts trends current events and

more read about all the epic world records you need

juniorscholasticworldtripwhoopsanswers copy - Aug 03 2022

web 1 juniorscholasticworldtripwhoopsanswers when people should go to the books stores search establishment by shop shelf by shelf it is in point of fact

read online junior scholastic world trip whoops answers pdf - Jun 01 2022

web dec 12 2022 answer book what goes on tour the north pole project vicki finds the answer the extraterrestrial answer book the best possible answer you are the

answers to junior scholastic world trip whoops banpaen - Feb 09 2023

web jun 7 2023 read and download junior scholastic world trip whoops answers free ebooks in pdf format crucible act 2 types of conflict answers

how children around the world get to school gameshow quiz - Dec 27 2021

web how children around the world get to school gameshow quiz 1 in which country do the pupils have to walk 5 hour journey a china b india c indonesia 2 in china pupils

y10 travel questions unjumble wordwall - Jan 28 2022

web y10 travel questions share share by u95647664 high school y11 english show more like edit content embed more leaderboard show more show less this

junior scholastic world trip whoops answers download only - Nov 06 2022

web junior scholastic world trip whoops answers 1 junior scholastic world trip whoops answers yeah reviewing a book junior scholastic world trip whoops

ingenology com - Jan 08 2023

web ingenology com

answers to junior scholastic world trip whoops pdf vpn - Sep 04 2022

web answers to junior scholastic world trip whoops 5 5 knowledge from the world almanac and book of facts world communism 1964 1969 a select ed bibliography

answers to junior scholastic world trip whoops pdf pdf - Jun 13 2023

web title answers to junior scholastic world trip whoops pdf pdf bukucclone ortax org created date 9 4 2023 5 50 10 am

word trip answers and cheats updated gameanswer - Nov 25 2021

web sep 15 2017 the more you solve levels the more your worldwide trip extends therefore in order to take you to unlimited endless sights we have brought to you all the answers

online library answers to junior scholastic world trip whoops - Jul 14 2023

web online library answers to junior scholastic world trip whoops read pdf free whoops a daisy the world s gone crazy whoop s apostrophe chief rhino to

junior scholastic world trip whoops answers - Apr 30 2022

web junior scholastic world trip whoops answers 1 junior scholastic world trip whoops answers junior scholastic world trip whoops answers downloaded from

gameshow quiz wordwall - Oct 25 2021

web gameshow quiz 1 a b c 2 3

get free answers to junior scholastic world trip whoops pdf - Jul 02 2022

web apr 2 2023 get free answers to junior scholastic world trip whoops pdf for free scholastic book of world records 2022 air travel modern age clifford s class trip

answer keys scholastic - Aug 15 2023

web help how to s virtual teaching answer keys you can find the answer key for all of the activities in every issue by clicking answer key at the top of the issue page next

junior scholastic world trip whoops answers nat gabriel pdf - Apr 11 2023

web junior scholastic world trip whoops answers yeah reviewing a books junior scholastic world trip whoops answers could ensue your close associates listings

junior scholastic world trip whoops answers elena bodrova - May 12 2023

web there immersed in a world of tradition and arranged marriages rukhsana finds the perspective she s been looking for in her grandmother s old diary the only question left

junior scholastic world trip whoops answers - Feb 26 2022

web junior scholastic world trip whoops answers archived web sites advanced search results from form 1 of page harrow county guestbook htm may 10th 2018 name

pdf answers to junior scholastic world trip whoops free - Oct 05 2022

web aug 16 2023 info acquire the answers to junior scholastic world trip whoops associate that we have the funds for here and check out the link you could purchase

pontiac sunfire manuals pontiac - Aug 14 2023

web pontiac sunfire manuals pontiac 2005 pontiac sunfire pdf 2005 pontiac sunfire cn pdf 1997 pontiac us sunfire pdf 1997 pontiac us full line pdf 1997 pontiac sunfire

pontiac sunfire owner s manual manual directory - Jul 13 2023

web you can find 11 different owner s manuals for the pontiac sunfire on this page that are in the pdf format yearly sunfire owner s manuals the years available stretch from 1995

pontiac sunfire 2003 owner s manual manualzz - Nov 24 2021

web view the manual for the pontiac sunfire 2003 here for free this manual comes under the category cars and has been rated by 1 people with an average of a 7 5 this manual

[online pontiac sunfire repair manual do it yourself](#) - Feb 25 2022

web check out our popular pontiac sunfire manuals below 2001 2005 pontiac sunfire 4 cylinders f 2 2l fi dohc 32867001 1995 2000 pontiac sunfire 4 cylinders 4 2 2l

2002 pontiac sunfire owner s manual dezosmanuals com - Dec 06 2022

web this manual includes the latest information at the time it was printed we reserve the right to make changes after that time without further notice for vehicles first sold in canada

[pontiac sunfire owners manual 2003 2003 onlymanuals](#) - Dec 26 2021

web view online 346 pages or download pdf 15 mb pontiac sunfire owner s manual sunfire cars pdf manual download and more pontiac online manuals

pontiac sunfire free workshop and repair manuals - Oct 04 2022

web pontiac sunfire workshop repair and owners manuals for all years and models free pdf download for thousands of cars and trucks

[pontiac 2005 sunfire get to know manual guide](#) - May 31 2022

web pontiac pontiac 2005 pontiac sunfire get to know manual 818790 pontiac 2005 pontiac sunfire get to know manual 818790 pontiac pdf open the pdf directly view

[pontiac sunfire 2003 owner s manual pdf](#) - Mar 09 2023

web view and download pontiac sunfire 2003 owner s manual online sunfire 2003 automobile pdf manual download

[pontiac 2001 sunfire automobile owner s manual](#) - Jul 01 2022

web view and download pontiac 2001 sunfire owner s manual online 2001 sunfire automobile pdf manual download

[pontiac 2004 sunfire automobile owner s](#) - May 11 2023

web view and download pontiac 2004 sunfire owner s manual online 2004 sunfire automobile pdf manual download

pontiac sunfire wikipedia - Mar 29 2022

web pontiac factory service manuals online this site provides a detailed review of the alldata diy product which is an affordable diy version of the same professional

pontiac 2005 sunfire automobile owner s - Feb 08 2023

web page 1 table of contents 2005 pontiac sunfire owner manual seats and restraint systems 1 1 front seats 1 2 rear seats 1 8 safety belts 1 9 child restraints

user manual pontiac sunfire 2005 english 352 pages - Jan 07 2023

web view the manual for the pontiac sunfire 2005 here for free this manual comes under the category cars and has been rated by 2 people with an average of a 6 7 this manual

user manual pontiac sunfire 2003 english 352 pages - Oct 24 2021

user manual pontiac sunfire 2004 english 376 pages - Nov 05 2022

web view the manual for the pontiac sunfire 2004 here for free this manual comes under the category cars and has been rated by 1 people with an average of a 9 1 this manual

pontiac sunfire owners manual 1995 1999 pdf onlymanuals - Jan 27 2022

web check out our popular pontiac sunfire manuals below 2001 2005 pontiac sunfire 4 cylinders f 2 2l fi dohc 32867001 1995 2000 pontiac sunfire 4 cylinders 4 2 2l

pontiac sunfire service repair manuals on motor era - Apr 29 2022

web complete list of pontiac sunfire auto service repair manuals 1995 pontiac sunfire owners manual 95 pontiac sunfire 1995 owners manual pontiac sunfire 1995

pontiac 2005 sunfire manuals manualslib - Jun 12 2023

web manuals and user guides for pontiac 2005 sunfire we have 2 pontiac 2005 sunfire manuals available for free pdf download owner s manual getting to know manual

pontiac 1999 sunfire automobile owner s manual - Aug 02 2022

web view and download pontiac 1999 sunfire owner s manual online 1999 sunfire automobile pdf manual download

pontiac sunfire repair service manuals 18 pdf s - Sep 03 2022

web we have 18 pontiac sunfire manuals covering a total of 10 years of production in the table below you can see 0 sunfire workshop manuals 0 sunfire owners manuals and 18

user manual pontiac sunfire 2001 english 364 pages - Apr 10 2023

web manual view the manual for the pontiac sunfire 2001 here for free this manual comes under the category cars and has been rated by 2 people with an average of a 9 this

mini origami buch falten anleitung talu de youtube - Jan 28 2022

web feb 9 2017 hier zeigen wir euch wie man ein super süßes mini origami buch falten kann weitere anleitungen und tipps auf talu de origami falten talu de

origami to go einfach gefaltet von frechverlag faltershop at - Apr 11 2023

web origami to go einfach gefaltet von frechverlag Über 1 5 mio bücher im faltershop bestellen versandkostenfrei ab 35
das origami buch 25 faltmodelle für kinder einsteiger und - Feb 26 2022

web origami falten einfach erklärt für alle altersgruppen kaufen sie das buch jetzt und legen sie direkt mit dem falten los
origami die kunst des papierfaltens beschreibt den vorgang des faltens von papier zu unterschiedlichen figuren
origami to go einfach gefaltet gebraucht kaufen rebuy - Sep 04 2022

web origami macht einfach spaß auch unterwegs verkürzen kleine faltmodelle die wartezeit im zug im restaurant oder auf
der autobahn im stau manchmal will die zeit einfach nicht vergehen abhilfe schafft in solchen situationen dieses kleine buch
und ein bisschen papier und schon kann das faltvergnügen losgehen

origami to go einfach gefaltet von frechverlag studibuch - Jan 08 2023

web origami macht einfach spaß auch unterwegs verkürzen kleine faltmodelle die wartezeit im zug im restaurant oder auf
der autobahn im stau manc

9783772475689 origami to go einfach gefaltet das origami buch - Aug 03 2022

web origami to go einfach gefaltet das origami buch für jede tasche pocket format mit verdeckter spiralbindung und
gummiband zum schließen finden sie alle bücher von frechverlag bei der büchersuchmaschine eurobuch ch können sie
antiquarische und neubücher vergleichen und sofort zum bestpreis bestellen 9783772475689

origami to go einfach gefaltet das origami buch f buch - Apr 30 2022

web origami to go einfach gefaltet das origami buch f buch zustand sehr gut eur 7 49 in vendita origami to go einfach
gefaltet das origami buch für jede tasche pocket format mit 385985662976

origami to go einfach gefaltet das origami buch für jede tasche - Jul 02 2022

web origami to go einfach gefaltet das origami buch für jede tasche pocket format mit verdeckter spiralbindung und
gummiband zum schließen von frechverlag gebundene ausgabe bei medimops de bestellen gebraucht günstig kaufen bei
medimops

frechverlag origami to go einfach gefaltet buch weltbild de - May 12 2023

web bücher bei weltbild jetzt frechverlag origami to go einfach gefaltet von frechverlag einfach online bestellen bei weltbild
ihrem bücher spezialisten versandkostenfrei 30 tage widerrufsrecht

origami to go einfach gefaltet das origami buch für je buch - Oct 05 2022

web origami to go einfach gefaltet das origami buch für jede tasche pocket format mit verdeckter spiralbindung und
gummiband zum schließen finden sie alle bücher von frechverlag bei der büchersuchmaschine eurobuch com können sie
antiquarische und neubücher vergleichen und sofort zum bestpreis bestellen 9783772475689

origami to go einfach gefaltet das origami buch f buch - Nov 06 2022

web entdecken sie origami to go einfach gefaltet das origami buch f buch zustand sehr gut in der großen auswahl bei ebay kostenlose lieferung für viele artikel

origami to go einfach gefaltet das origami buch für jede tasche - Dec 27 2021

web lese ein buch origami to go einfach gefaltet das origami buch für jede tasche pocket format mit verdeckter spiralbindung und gummiband zu

origami to go einfach gefaltet 7568 ciltli kapak amazon com tr - Jul 14 2023

web origami to go einfach gefaltet 7568 frechverlag amazon com tr kitap Çerez tercihlerinizi seçin Çerez bildirimimizde ayrıntılı şekilde açıklandığı üzere alışveriş yapmanızı sağlamak alışveriş deneyiminizi iyileştirmek ve hizmetlerimizi sunmak için gerekli olan çerezleri ve benzer araçları kullanırız

origami to go einfach gefaltet das origami buch für jede tasche - Jun 13 2023

web origami to go einfach gefaltet das origami buch für jede tasche pocket format mit verdeckter spiralbindung und gummiband zum schließen frechverlag amazon de books

pdf origami to go einfac yumpu - Jun 01 2022

web pdf origami to go einfac pdf origami to go einfach gefaltet das origami buch für jede tasche pocket format mit verdeckter spiralbindung

origami lernen leicht gemacht orgami buch für kinder und amazon de - Mar 30 2022

web origami lernen leicht gemacht orgami buch für kinder und erwachsene origami faltbuch mit 40 anleitungen 5 videoanleitungen und bonusmaterial farbversion teijo das schon seit ewigkeiten so gefaltet wird das brauche ich nicht in einem origami buch lernen wenn man glueck hat schafft man es einige der modelle nachzufalten

origami to go buch thalia - Mar 10 2023

web origami to go das falt buch für jede tasche pocket format mit verdeckter spiralbindung buch gebundene ausgabe leicht verständliche faltskizzen machen das nacharbeiten dabei ganz einfach alles was sie benötigen ist faltpapier und dieses buch und schon sind sie jederzeit bereit das meinen unsere kund innen 0 0

origami to go einfach gefaltet frechverlag buchzentrum - Dec 07 2022

web das origami buch für jede tasche pocket format mit verdeckter spiralbindung und gummiband zum schließen gebunden

origami to go einfach gefaltet von frechverlag 2016 gebundene - Feb 09 2023

web entdecken sie origami to go einfach gefaltet von frechverlag 2016 gebundene ausgabe in der großen auswahl bei ebay kostenlose lieferung für viele artikel

origami to go einfach gefaltet das origami buch für jede tasche - Aug 15 2023

web origami to go einfach gefaltet das origami buch für jede tasche pocket format mit verdeckter spiralbindung und gummiband zum schließen frechverlag isbn 9783772475689 kostenloser versand für alle bücher mit