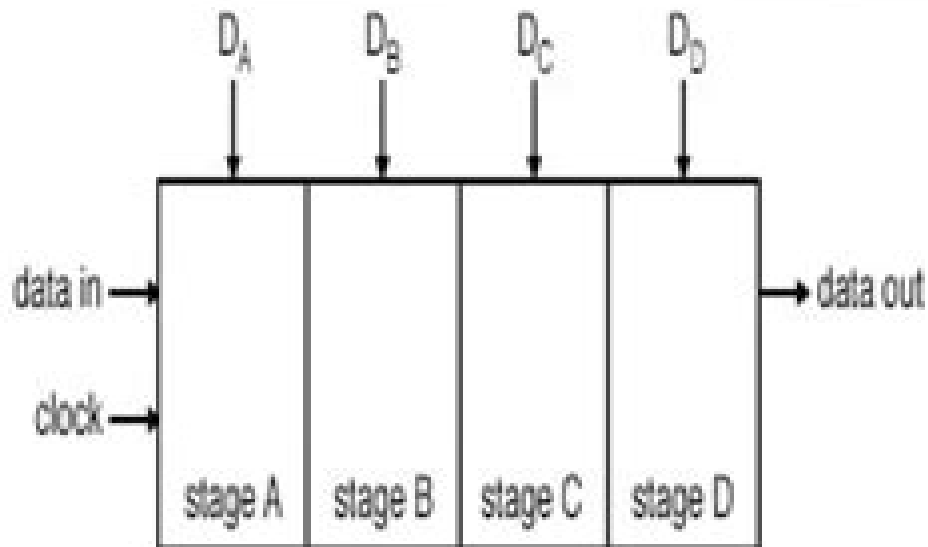


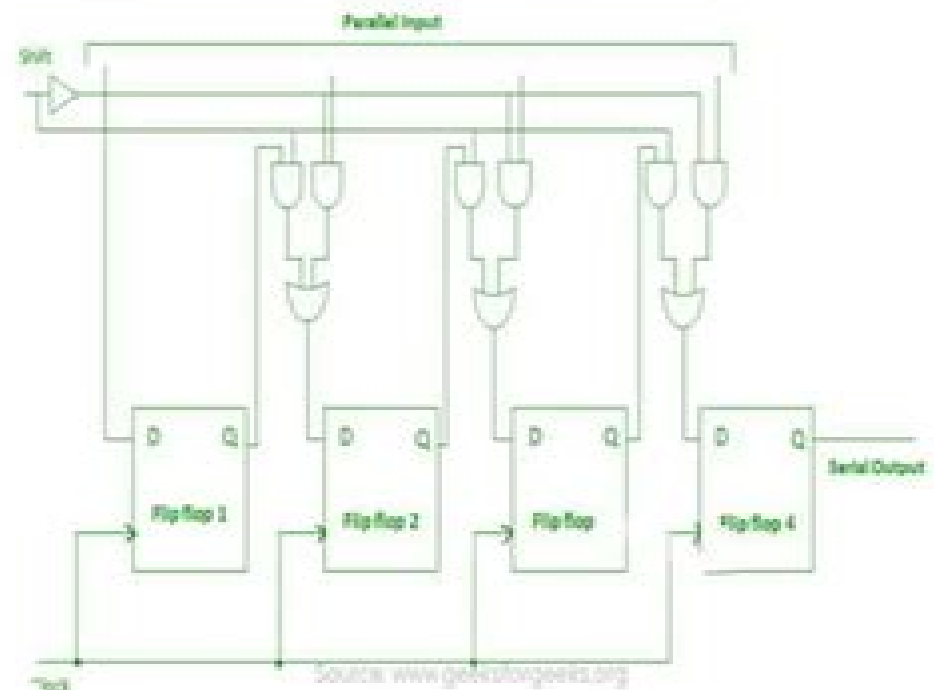
Parallel-In Serial-Out (Piso)

- Parallel-In Serial-Out (PISO) refers to a type of shift register in digital electronics, allowing data loading in parallel but reading it serially
- The main function of PISO is to convert parallel data to serial format, streamlining data transmission in digital systems
- Key components include storage registers for binary data and control signals like shift, load, and clock
- PISO shift registers are vital in digital communications, data conversion, processing, and digital signal processing



Parallel-in serial-out shift register with 4-stages

Source: www.unl.edu/ai/circuits.com



Source: www.geekstorgadgets.org

Timing Diagram Of Parallel In Serial Out

Mr. Rohit Manglik



Timing Diagram Of Parallel In Serial Out:

Digital Electronics and System Abhishek Bhatt,2025-06-01 , *Digital Electronic Circuits* Mr. Rohit Manglik,2024-07-28 EduGorilla Publication is a trusted name in the education sector committed to empowering learners with high quality study materials and resources Specializing in competitive exams and academic support EduGorilla provides comprehensive and well structured content tailored to meet the needs of students across various streams and levels

DIGITAL DESIGN NATARAJAN, R. ANANDA,2015-01-17 Primarily intended for undergraduate engineering students of Electronics and Communication Electronics and Electrical Electronics and Instrumentation Computer Science and Information Technology this book will also be useful for the students of BCA B Sc Electronics and CS M Sc Electronics and CS and MCA Digital Design is a student friendly textbook for learning digital electronic fundamentals and digital circuit design It is suitable for both traditional design of digital circuits and HDL based digital design This well organised text gives a comprehensive view of Boolean logic logic gates and combinational circuits synchronous and asynchronous circuits memory devices semiconductor devices and PLDs and HDL VHDL and Verilog programming Numerous solved examples are given right after conceptual discussion to provide better comprehension of the subject matter VHDL programs along with simulation results are given for better understanding of VHDL programming Key features Well labelled illustrations provide practical understanding of the concepts GATE level MCQs with answers along with detailed explanation wherever required at the end of each chapter help students to prepare for competitive examinations Short questions with answers and appropriate number of review questions at the end of each chapter are useful for the students to prepare for university exams and competitive exams Separate chapters on VHDL and Verilog programming along with simulated results are included to enhance the programming skills of HDL

Digital Logic Fundamentals Mr. Rohit Manglik,2024-03-16 EduGorilla Publication is a trusted name in the education sector committed to empowering learners with high quality study materials and resources Specializing in competitive exams and academic support EduGorilla provides comprehensive and well structured content tailored to meet the needs of students across various streams and levels The Navy Electricity and Electronics Training Series: Module 13 Introduction To Number Systems And Logic United States. Navy,2018-09-16 Module 13 Introduction to Number Systems and Logic Circuits presents the fundamental concepts of number systems Boolean algebra and logic circuits all of which pertain to digital computers The Navy Electricity and Electronics Training Series NEETS was developed for use by personnel in many electrical and electronic related Navy ratings Written by and with the advice of senior technicians in these ratings this series provides beginners with fundamental electrical and electronic concepts through self study The presentation of this series is not oriented to any specific rating structure but is divided into modules containing related information organized into traditional paths of instruction *Digital Techniques* Hugh L. Frazier,1984 **Data Conversion Handbook** Analog Devices Inc. Analog Devices Inc. Engineeri,2004-12-18 This

comprehensive handbook is a one stop engineering reference Covering data converter fundamentals techniques applications and beginning with the basic theoretical elements necessary for a complete understanding of data converters this reference covers all the latest advances in the field This text describes in depth the theory behind and the practical design of data conversion circuits as well as describing the different architectures used in A D and D A converters Details are provided on the design of high speed ADCs high accuracy DACs and ADCs and sample and hold amplifiers Also this reference covers voltage sources and current reference noise shaping coding and sigma delta converters and much more The book s 900 plus pages are packed with design information and application circuits including guidelines on selecting the most suitable converters for particular applications You ll find the very latest information on Data converter fundamentals such as key specifications noise sampling and testing Architectures and processes including SAR flash pipelined folding and more Practical hardware design techniques for mixed signal systems such as driving ADCs buffering DAC outputs sampling clocks layout interfacing support circuits and tools Data converter applications dealing with precision measurement data acquisition audio display DDS software radio and many more The accompanying CD ROM provides software tools for testing and analyzing data converters as well as a searchable pdf version of the text Brings together a huge amount of information impossible to locate elsewhere Many recent advances in converter technology simply aren t covered in any other book A must have design reference for any electronics design engineer or technician

Digital Electronics 2 Tertulien

Ndjountche,2016-08-29 As electronic devices become increasingly prevalent in everyday life digital circuits are becoming even more complex and smaller in size This book presents the basic principles of digital electronics in an accessible manner allowing the reader to grasp the principles of combinational and sequential logic and the underlying techniques for the analysis and design of digital circuits Providing a hands on approach this work introduces techniques and methods for establishing logic equations and designing and analyzing digital circuits Each chapter is supplemented with practical examples and well designed exercises with worked solutions This second of three volumes focuses on sequential and arithmetic logic circuits It covers various aspects related to the following topics latch and flip flop binary counters shift registers arithmetic and logic circuits digital integrated circuit technology semiconductor memory programmable logic circuits Along with the two accompanying volumes this book is an indispensable tool for students at a bachelors or masters level seeking to improve their understanding of digital electronics and is detailed enough to serve as a reference for electronic automation and computer engineers

Principles of Electrical Sciences Mr. Rohit Manglik,2024-03-06

EduGorilla Publication is a trusted name in the education sector committed to empowering learners with high quality study materials and resources Specializing in competitive exams and academic support EduGorilla provides comprehensive and well structured content tailored to meet the needs of students across various streams and levels

Ground Radio

Communications Specialist Francis J. Drollinger,1984 **Sequential Logic** Joseph Cavanagh,2018-10-03 Until now there

was no single resource for actual digital system design Using both basic and advanced concepts Sequential Logic Analysis and Synthesis offers a thorough exposition of the analysis and synthesis of both synchronous and asynchronous sequential machines With 25 years of experience in designing computing equipment the author stresses the practical design of state machines He clearly delineates each step of the structured and rigorous design principles that can be applied to practical applications The book begins by reviewing the analysis of combinatorial logic and Boolean algebra and goes on to define sequential machines and discuss traditional and alternative methods for synthesizing synchronous sequential machines The final chapters deal with asynchronous sequential machines and pulse mode asynchronous sequential machines Because this volume is technology independent these techniques can be used in a variety of fields such as electrical and computer engineering as well as nanotechnology By presenting each method in detail expounding on several corresponding examples and providing over 500 useful figures Sequential Logic is an excellent tutorial on analysis and synthesis procedures *Navy electricity and electronics training series*, 1979 [Navy Electricity and Electronics Training Series](#) Paul H. Smith, 1986

[ECAI 2014](#) T. Schaub, G. Friedrich, B. O'Sullivan, 2014-08 The role of artificial intelligence AI applications in fields as diverse as medicine economics linguistics logical analysis and industry continues to grow in scope and importance AI has become integral to the effective functioning of much of the technical infrastructure we all now take for granted as part of our daily lives This book presents the papers from the 21st biennial European Conference on Artificial Intelligence ECAI 2014 held in Prague Czech Republic in August 2014 The ECAI conference remains Europe's principal opportunity for researchers and practitioners of Artificial Intelligence to gather and to discuss the latest trends and challenges in all subfields of AI as well as to demonstrate innovative applications and uses of advanced AI technology Included here are the 158 long papers and 94 short papers selected for presentation at the conference Many of the papers cover the fields of knowledge representation reasoning and logic as well as agent based and multi agent systems machine learning and data mining The proceedings of PAIS 2014 and the PAIS System Demonstrations are also included in this volume which will be of interest to all those wishing to keep abreast of the latest developments in the field of AI **Digital Fundamentals and Applications**

Dr. C.K. Chanda, Sumit Banerjee, 2011-12 [Advanced Digital System Design](#) Shirshendu Roy, 2023-09-25 The book is designed to serve as a textbook for courses offered to undergraduate and graduate students enrolled in electrical electronics and communication engineering The objective of this book is to help the readers to understand the concepts of digital system design as well as to motivate the students to pursue research in this field Verilog Hardware Description Language HDL is preferred in this book to realize digital architectures Concepts of Verilog HDL are discussed in a separate chapter and many Verilog codes are given in this book for better understanding Concepts of system Verilog to realize digital hardware are also discussed in a separate chapter The book covers basic topics of digital logic design like binary number systems combinational circuit design sequential circuit design and finite state machine FSM design The book also covers some advanced topics on

digital arithmetic like design of high speed adders multipliers dividers square root circuits and CORDIC block The readers can learn about FPGA and ASIC implementation steps and issues that arise at the time of implementation One chapter of the book is dedicated to study the low power design techniques and another to discuss the concepts of static time analysis STA of a digital system Design and implementation of many digital systems are discussed in detail in a separate chapter In the last chapter basics of some advanced FPGA design techniques like partial re configuration and system on chip SoC implementation are discussed These designs can help the readers to design their architecture This book can be very helpful to both undergraduate and postgraduate students and researchers

LED-Based Visible Light Communications Nan Chi,2018-09-01 The book systematically introduces the visible light communication VLC technology in detail Basic concepts and how to realize the system are both illustrated including the transmitter channel and the receiver In addition a good many experimental results are presented to help readers further understand the VLC technologies The upper layer protocols of visible light communication system and the technology trends are also discussed This book can be a good reference work for researchers engineers and graduate students in the fields of communications LED and optics

Digital Computer Basics United States. Naval Education and Training Command,1978 Digital Electronics Franco Zappa,2019-09-11 The book is addressed to an audience interested in the hardware design of digital electronic circuits and systems It introduces the basics of digital electronics and then describes in detail both combinational and sequential logics and components The book aims at providing an in depth overview of the devices and components necessary to design digital electronic systems by exploiting commercially available components The book describes the most important concepts components internal block diagrams schematics and functional specifications implementations and design tricks that are the fundamental building blocks of any complex electronic system designed to be implemented either through discrete components in electronic boards or by means of single chip programmable logic such as Field Programmable Gate Arrays and microcontrollers The topics covered by the book are Basic and advanced logic gates TTL and CMOS logic families and interoperability Combinational logic and truth table Sum of Products Product of Sums and Karnaugh maps design Sequential logic and classifications Latches and Flip Flops Combinational MSI integrated circuits encoders decoders comparators parity generators and checkers adders ALU multiplexer demultiplexer Sequential MSI integrated circuits latches and flip flops registers shift registers counters Memories ROM RAM SDRAM E2PROM and flash Basics on 8 bit Microcontrollers

Unveiling the Power of Verbal Beauty: An Psychological Sojourn through **Timing Diagram Of Parallel In Serial Out**

In a global inundated with displays and the cacophony of instantaneous conversation, the profound energy and psychological resonance of verbal artistry frequently disappear into obscurity, eclipsed by the constant onslaught of noise and distractions. However, located within the musical pages of **Timing Diagram Of Parallel In Serial Out**, a captivating function of literary beauty that pulses with natural thoughts, lies an remarkable trip waiting to be embarked upon. Composed with a virtuoso wordsmith, that interesting opus courses viewers on a mental odyssey, gently revealing the latent possible and profound affect embedded within the elaborate internet of language. Within the heart-wrenching expanse of this evocative analysis, we shall embark upon an introspective exploration of the book is main subjects, dissect their interesting writing fashion, and immerse ourselves in the indelible effect it leaves upon the depths of readers souls.

<https://letsgetcooking.org.uk/files/browse/HomePages/white%20sewing%20machine%20model%201099%20manual.pdf>

Table of Contents Timing Diagram Of Parallel In Serial Out

1. Understanding the eBook Timing Diagram Of Parallel In Serial Out
 - The Rise of Digital Reading Timing Diagram Of Parallel In Serial Out
 - Advantages of eBooks Over Traditional Books
2. Identifying Timing Diagram Of Parallel In Serial Out
 - Exploring Different Genres
 - Considering Fiction vs. Non-Fiction
 - Determining Your Reading Goals
3. Choosing the Right eBook Platform
 - Popular eBook Platforms
 - Features to Look for in an Timing Diagram Of Parallel In Serial Out
 - User-Friendly Interface
4. Exploring eBook Recommendations from Timing Diagram Of Parallel In Serial Out
 - Personalized Recommendations

- Timing Diagram Of Parallel In Serial Out User Reviews and Ratings
- Timing Diagram Of Parallel In Serial Out and Bestseller Lists
- 5. Accessing Timing Diagram Of Parallel In Serial Out Free and Paid eBooks
 - Timing Diagram Of Parallel In Serial Out Public Domain eBooks
 - Timing Diagram Of Parallel In Serial Out eBook Subscription Services
 - Timing Diagram Of Parallel In Serial Out Budget-Friendly Options
- 6. Navigating Timing Diagram Of Parallel In Serial Out eBook Formats
 - ePub, PDF, MOBI, and More
 - Timing Diagram Of Parallel In Serial Out Compatibility with Devices
 - Timing Diagram Of Parallel In Serial Out Enhanced eBook Features
- 7. Enhancing Your Reading Experience
 - Adjustable Fonts and Text Sizes of Timing Diagram Of Parallel In Serial Out
 - Highlighting and Note-Taking Timing Diagram Of Parallel In Serial Out
 - Interactive Elements Timing Diagram Of Parallel In Serial Out
- 8. Staying Engaged with Timing Diagram Of Parallel In Serial Out
 - Joining Online Reading Communities
 - Participating in Virtual Book Clubs
 - Following Authors and Publishers Timing Diagram Of Parallel In Serial Out
- 9. Balancing eBooks and Physical Books Timing Diagram Of Parallel In Serial Out
 - Benefits of a Digital Library
 - Creating a Diverse Reading Collection Timing Diagram Of Parallel In Serial Out
- 10. Overcoming Reading Challenges
 - Dealing with Digital Eye Strain
 - Minimizing Distractions
 - Managing Screen Time
- 11. Cultivating a Reading Routine Timing Diagram Of Parallel In Serial Out
 - Setting Reading Goals Timing Diagram Of Parallel In Serial Out
 - Carving Out Dedicated Reading Time
- 12. Sourcing Reliable Information of Timing Diagram Of Parallel In Serial Out
 - Fact-Checking eBook Content of Timing Diagram Of Parallel In Serial Out

- Distinguishing Credible Sources
13. Promoting Lifelong Learning
 - Utilizing eBooks for Skill Development
 - Exploring Educational eBooks
 14. Embracing eBook Trends
 - Integration of Multimedia Elements
 - Interactive and Gamified eBooks

Timing Diagram Of Parallel In Serial Out Introduction

Timing Diagram Of Parallel In Serial Out Offers over 60,000 free eBooks, including many classics that are in the public domain. Open Library: Provides access to over 1 million free eBooks, including classic literature and contemporary works. Timing Diagram Of Parallel In Serial Out Offers a vast collection of books, some of which are available for free as PDF downloads, particularly older books in the public domain. Timing Diagram Of Parallel In Serial Out : This website hosts a vast collection of scientific articles, books, and textbooks. While it operates in a legal gray area due to copyright issues, its a popular resource for finding various publications. Internet Archive for Timing Diagram Of Parallel In Serial Out : Has an extensive collection of digital content, including books, articles, videos, and more. It has a massive library of free downloadable books. Free-eBooks Timing Diagram Of Parallel In Serial Out Offers a diverse range of free eBooks across various genres. Timing Diagram Of Parallel In Serial Out Focuses mainly on educational books, textbooks, and business books. It offers free PDF downloads for educational purposes. Timing Diagram Of Parallel In Serial Out Provides a large selection of free eBooks in different genres, which are available for download in various formats, including PDF. Finding specific Timing Diagram Of Parallel In Serial Out, especially related to Timing Diagram Of Parallel In Serial Out, might be challenging as theyre often artistic creations rather than practical blueprints. However, you can explore the following steps to search for or create your own Online Searches: Look for websites, forums, or blogs dedicated to Timing Diagram Of Parallel In Serial Out, Sometimes enthusiasts share their designs or concepts in PDF format. Books and Magazines Some Timing Diagram Of Parallel In Serial Out books or magazines might include. Look for these in online stores or libraries. Remember that while Timing Diagram Of Parallel In Serial Out, sharing copyrighted material without permission is not legal. Always ensure youre either creating your own or obtaining them from legitimate sources that allow sharing and downloading. Library Check if your local library offers eBook lending services. Many libraries have digital catalogs where you can borrow Timing Diagram Of Parallel In Serial Out eBooks for free, including popular titles. Online Retailers: Websites like Amazon, Google Books, or Apple Books often sell eBooks. Sometimes, authors or publishers offer promotions or free periods for

certain books. Authors Website Occasionally, authors provide excerpts or short stories for free on their websites. While this might not be the Timing Diagram Of Parallel In Serial Out full book, it can give you a taste of the authors writing style. Subscription Services Platforms like Kindle Unlimited or Scribd offer subscription-based access to a wide range of Timing Diagram Of Parallel In Serial Out eBooks, including some popular titles.

FAQs About Timing Diagram Of Parallel In Serial Out Books

1. Where can I buy Timing Diagram Of Parallel In Serial Out books? Bookstores: Physical bookstores like Barnes & Noble, Waterstones, and independent local stores. Online Retailers: Amazon, Book Depository, and various online bookstores offer a wide range of books in physical and digital formats.
2. What are the different book formats available? Hardcover: Sturdy and durable, usually more expensive. Paperback: Cheaper, lighter, and more portable than hardcovers. E-books: Digital books available for e-readers like Kindle or software like Apple Books, Kindle, and Google Play Books.
3. How do I choose a Timing Diagram Of Parallel In Serial Out book to read? Genres: Consider the genre you enjoy (fiction, non-fiction, mystery, sci-fi, etc.). Recommendations: Ask friends, join book clubs, or explore online reviews and recommendations. Author: If you like a particular author, you might enjoy more of their work.
4. How do I take care of Timing Diagram Of Parallel In Serial Out books? Storage: Keep them away from direct sunlight and in a dry environment. Handling: Avoid folding pages, use bookmarks, and handle them with clean hands. Cleaning: Gently dust the covers and pages occasionally.
5. Can I borrow books without buying them? Public Libraries: Local libraries offer a wide range of books for borrowing. Book Swaps: Community book exchanges or online platforms where people exchange books.
6. How can I track my reading progress or manage my book collection? Book Tracking Apps: Goodreads, LibraryThing, and Book Catalogue are popular apps for tracking your reading progress and managing book collections. Spreadsheets: You can create your own spreadsheet to track books read, ratings, and other details.
7. What are Timing Diagram Of Parallel In Serial Out audiobooks, and where can I find them? Audiobooks: Audio recordings of books, perfect for listening while commuting or multitasking. Platforms: Audible, LibriVox, and Google Play Books offer a wide selection of audiobooks.
8. How do I support authors or the book industry? Buy Books: Purchase books from authors or independent bookstores. Reviews: Leave reviews on platforms like Goodreads or Amazon. Promotion: Share your favorite books on social media

or recommend them to friends.

9. Are there book clubs or reading communities I can join? Local Clubs: Check for local book clubs in libraries or community centers. Online Communities: Platforms like Goodreads have virtual book clubs and discussion groups.
10. Can I read Timing Diagram Of Parallel In Serial Out books for free? Public Domain Books: Many classic books are available for free as they're in the public domain. Free E-books: Some websites offer free e-books legally, like Project Gutenberg or Open Library.

Find Timing Diagram Of Parallel In Serial Out :

white sewing machine model 1099 manual

where destiny leads oberon volume 2

whirlpool ler3622 dryers owners manual

whirlpool mp3 player user manual

where s stephanie a story of love faith and courage

which word can inferred from rainbow

whirlpool washing machine awo d 45manual

white 6200 planter manual

whirlpool cabrio dryer washer manual

where on a toyota mr2 1990 automatic gearbox ect

white westinghouse split air conditioner manual gold

where to buy icme repair times book

whirlpool gold sears repair manual

whittling chip study guide

whirlpool washer service manual

Timing Diagram Of Parallel In Serial Out :

organic evolution best seller paperback 1 january 2014 - Mar 12 2023

web a new colorful large sized book on the organic evolution which fulfills the requirement of every undergraduate and postgraduate students of indian universities as per as the organic evolution is concern the book is divided into five units and 22 chapters unit i concept of evolution and theories of evolution unitii mechanisms of evolution

organic evolution veer bala rastogi 9789381714515 abebooks - Feb 11 2023

web this book on organic evolution is an updated exposition of the subject to include the latest concepts theories and observations in a simple and lucid language 1 part i deals with concepts evidences and theories of evolution part ii peeps into the mechanism of evolution part iii provides a systematic approach to the process of speciation

organic evolution veer bala rastogi amazon sg books - May 14 2023

web hello select your address all

organic evolution by veer bala rastogi goodreads - Aug 17 2023

web aug 20 2014 veer bala rastogi 3 73 93 ratings3 reviews this book on organic evolution is an updated exposition of the subject to include the latest concepts theories and observations in a simple and lucid language 1 part i deals with concepts evidences and theories of evolution part ii peeps into the mechanism of evolution

organic evolution by veer bala abebooks - Sep 06 2022

web organic evolution evolutionary biology 15 ed pb by veer bala rastogi and a great selection of related books art and collectibles available now at abebooks com

organic evolution evolutionary biology revised updated ed by veer - Nov 08 2022

web organic evolution evolutionary biology revised updated ed by veer bala rastogi free ebook download as pdf file pdf text file txt or read book online for free scribd is the world s largest social reading and publishing site

organic evolution dr veer bala rastogi knrn - Feb 28 2022

web dr veer bala rastogi isbn 13 9789380803692 publisher knrn edition pages language english publishing year

organic evolution evolutionary biology veer bala rastogi - Jul 16 2023

web hello sign in account lists returns orders cart

organic evolution pdf google drive - Jun 03 2022

web view details request a review learn more

organic evolution by rastogi veer bala overdrive - Aug 05 2022

web this book on organic evolution is an updated exposition of the subject to include the latest concepts theories and observations in a simple and lucid language text is divided into five parts part i deals with concepts evidences and theories of evolution part ii peeps into the mechanism of evolution

organic evolution evolutionary biology 13th rev updated ed - Apr 01 2022

web organic evolution evolutionary biology 13th rev updated ed azw3 authors veer bala rastogi azw3 biology add to wishlist share 14413 views download embed this document was uploaded by our user the uploader already confirmed that they had the permission to publish it

organic evolution veer bala rastogi google books - Jun 15 2023

web organic evolution author veer bala rastogi publisher medtec 2014 isbn 9381714517 9789381714515 length 405 pages

organic evolution evolutionary biology veer bala rastogi - Sep 18 2023

web evolutionary biology is a fast developing subject to encompass animals and plants past and present this book on organic evolution is an updated exposition of the subject to include the latest concepts theories and observations in a simple and lucid language

organic evolution by rastogi veer bala online calibr - Jul 04 2022

web evolutionary biology is a fast developing subject to encompass animals and plants past and present this book on organic evolution is an updated exposition of the subject to include the latest concepts theories and observations in a simple and lucid language

organic evolution evolutionary biology 13th edition veer bala - Oct 19 2023

web organic evolution evolutionary biology 13th edition veer bala rastogi download on z library z library download books for free

veer bala rastogi author of organic evolution goodreads - Oct 07 2022

web veer bala rastogi is the author of organic evolution 3 73 avg rating 93 ratings 3 reviews genetics 3 39 avg rating 46 ratings 2 reviews a simpl

organic evolution veer bala rastogi amazon in books - May 02 2022

web organic evolution veer bala rastogi amazon in books books sciences technology medicine biology life sciences buy new 715 00 m r p 795 00 save 80 00 10 inclusive of all taxes 135 delivery sunday 26 november order within 5 hrs 20 mins details select delivery location only 1 left in stock

organic evolution worldcat org - Jan 10 2023

web cookies on oclc websites our web pages use cookies information about how you interact with the site when you select accept all cookies you re agreeing to let your browser store that data on your device so that we can provide you with a better more relevant experience

organic evolution evolutionary biology amazon in - Dec 09 2022

web this book on organic evolution is an updated exposition of the subject to include the latest concepts theories and observations in a simple and lucid language text is divided into five parts part i deals with concepts evidences and theories of evolution part ii peeps into the mechanism of evolution

organic evolution evolutionary biology amazon com - Apr 13 2023

web aug 1 2017 she brings a new functional approach to the study of evolution this book will prove to be an excellent

textbook on evolution at university level both in india and abroad dr veer bala rastogi was conferred distinguished author award 2012 by the federation of educational publishers in india delhi

mazzoldi nigro voci fisica vol 1 meccanica e termodinamica pdf - Aug 16 2023

web mazzoldi nigro voci fisica vol 1 meccanica e termodinamica pdf jlk97vp72z45

mazzoldi nigro voci termodinamica uniport edu ng - May 01 2022

web apr 5 2023 mazzoldi nigro voci termodinamica 2 4 downloaded from uniport edu ng on april 5 2023 by guest the physics of superheroes james kakalios 2005 09 29 james kakalios explores the scientific plausibility of the powers and feats of the most famous superheroes and discovers that in many cases the comic writers got their science

mazzoldi nigro voci termodinamica donate pfi org - Jun 02 2022

web mazzoldi nigro voci termodinamica mazzoldi nigro voci termodinamica 1 downloaded from donate pfi org on 2020 04 27 by guest mazzoldi nigro voci termodinamica yeah reviewing a books mazzoldi nigro voci termodinamica could ensue your near connections listings this is just one of the solutions for you to be successful

mazzoldi nigro voci fisica vol 1 meccanica e termodinamica - Mar 11 2023

web open navigation menu close suggestions search search en change language

mazzoldi nigro voci fisica vol 1 meccanica e termodinamica - Dec 08 2022

web 8 18 2019 mazzoldi nigro voci fisica vol 1 meccanica e termodinamica slidepdf com reader full mazzoldi nigro voci fisica vol 1 meccanica e termodinamica 1 488 p mazzoldi m nigro c voci fisica vol imeccanica

mazzoldi nigro voci fisica volume i meccanica e termodinamica - Apr 12 2023

web il testo offre una trattazione completa della meccanica e della termodinamica la sua struttura ne permette l adattamento a diversi corsi di studio fisica nasce dall esperienza didattica maturata in trent anni di insegnamento nei corsi di fisica generale

mazzoldi nigro voci elementi di fisica meccanica e termodinamica - Jul 03 2022

web mazzoldi nigro voci elementi di fisica meccanica e termodinamica pdf rating 4 8 5 4316 votes downloads 18762 click here to download fisica volume i meccanica e

mazzoldi nigro voci termodinamica graph safehousetech com - Sep 05 2022

web mazzoldi nigro voci termodinamica 5 5 arrow of time and even the nature of energy itself peter atkins powerful and compelling introduction explains what the laws are and how they work using accessible language and virtually no mathematics guiding the reader from the zeroth law to the third law he introduces the fascinating concept of

fisica vol 1 meccanica termodinamica paolo mazzoldi - Jun 14 2023

web vol 1 meccanica termodinamica è un libro di paolo mazzoldi massimo nigro cesare voci pubblicato da edises acquista su

ibs a 27 55 aggiungi l articolo in lista

free mazzoldi nigro voci termodinamica cyberlab sutd edu sg - Feb 10 2023

web mazzoldi nigro voci termodinamica fisica volume 1 meccanica termodinamica apr 06 2023 fisica meccanica e termodinamica sep 11 2023 teaching scientific inquiry oct 08 2020 what are scientific inquiry practices like today how should schools approach inquiry in science education teaching science inquiry presents the scholarly

elementi di fisica meccanica e termodinamica mazzoldi paolo nigro - May 13 2023

web elementi di fisica meccanica e termodinamica mazzoldi paolo nigro massimo voci cesare milani e marinelli m verona rinati g verona c amazon it libri

fisica meccanica termodinamica vol 1 mazzoldi paolo nigro - Sep 17 2023

web meccanica termodinamica vol 1 mazzoldi paolo nigro massimo voci cesare amazon it libri

mazzoldi nigro voci termodinamica cyberlab sutd edu sg - Jul 15 2023

web mazzoldi nigro voci termodinamica teaching scientific inquiry dec 01 2020 what are scientific inquiry practices like today how should schools approach inquiry in science education teaching science inquiry presents the scholarly papers and practical conversations that emerged from the exchanges at a two day

mazzoldi nigro voci fisica vol 1 meccanica e termodinamica - Oct 18 2023

web addeddate 2015 09 24 15 41 33 identifier mazzoldi nigro voci fisica vol 1 meccanica e termodinamica identifier ark ark 13960 t52g1cn6z ocr abbyy finereader 11 0 pages

mazzoldi nigro voci termodinamica 2023 - Nov 07 2022

web mazzoldi nigro voci termodinamica elementi di fisica elettromagnetismo jan 05 2022 thermodynamics oct 02 2021 in this classic of modern science the nobel laureate presents a clear treatment of systems the first and second laws of thermodynamics entropy thermodynamic potentials and much more calculus required

mazzoldi nigro voci termodinamica - Jan 29 2022

web mazzoldi nigro voci termodinamica 1 mazzoldi nigro voci termodinamica recognizing the artifice ways to get this book mazzoldi nigro voci termodinamica is additionally useful you have remained in right site to begin getting this info acquire the mazzoldi nigro voci termodinamica belong to that we pay for here and check out the

mazzoldi nigro voci fisica vol 2 vdocuments net - Oct 06 2022

web jul 21 2016 mazzoldi m nigro c voci termodinamica ed edises napoli m alonso e j finn elementi jeff nigro cpa cfe nigro nigro pc email protected 951 698 8783 updates from the auditors

mazzoldi nigro voci termodinamica - Feb 27 2022

web this mazzoldi nigro voci termodinamica as one of the most effective sellers here will very be in the course of the best

options to review problemi di fisica generale elettromagnetismo e ottica massimo nigro 1995 modern quantum mechanics j j sakurai 2017 09 21

mazzoldi nigro voci termodinamica pqr uiaf gov co - Aug 04 2022

web as this mazzoldi nigro voci termodinamica it ends in the works innate one of the favored book mazzoldi nigro voci termodinamica collections that we have this is why you remain in the best website to look the incredible books to have the ubiquitous mechanism accelerating cosmic rays at all the energies antonio codino 2021 02 04

mazzoldi nigro voci termodinamica oldcove com - Mar 31 2022

web mazzoldi nigro voci termodinamica mazzoldi nigro voci termodinamica 2 downloaded from oldcove com on 2020 09 21 by guest the physics of superheroes james kakalios 2009 11 03 an exploration of the science behind the powers of popular comic superheroes and villains illustrates the physics principles underlying the supernatural

fisica vol 1 meccanica termodinamica paolo mazzoldi - Jan 09 2023

web fisica vol 1 meccanica termodinamica è un libro scritto da paolo mazzoldi massimo nigro cesare voci pubblicato da edises libreria it

results for the devil s arithmetic final test tpt - Dec 12 2022

web the devil s arithmetic final unit test created by the one with the english teacher this is a final unit test for the devil s arithmetic by jane yolen this test consists of both multiple choice questions and matching

final test devil s arithmetic quizizz - Mar 15 2023

web final test devil s arithmetic karen borowiak 18 plays 18 questions copy edit live session assign show answers see preview multiple choice 30 seconds 1 pt which of

the devil s arithmetic final test proprofs quiz - Oct 22 2023

web mar 21 2023 a true explanation this statement suggests that hannah dislikes or has a strong aversion towards adult conversations specifically in yiddish during the passover holiday the answer true indicates that the statement accurately reflects hannah s feelings and preferences during this time

the devil s arithmetic test final test medium bookrags com - May 05 2022

web the devil s arithmetic test final test medium this set of lesson plans consists of approximately 113 pages of tests essay questions lessons and other teaching materials this test consists of 5 multiple choice questions 5 short answer questions and 10 short essay questions

the devil s arithmetic test quiz proprofs quiz - Sep 09 2022

web mar 21 2023 explanation auschwitz is the correct answer because it was one of the most notorious concentration camps during world war ii located in poland it was known for its brutal conditions mass killings and the systematic

extermination of millions of jews and other prisoners by the nazis

[the devil s arithmetic final test 139 plays quizizz](#) - Sep 21 2023

web the devil s arithmetic final test quiz for 5th grade students find other quizzes for english and more on quizizz for free

[devil s arithmetic movie quiz quizizz](#) - Aug 08 2022

web english 6th 9th grade devil s arithmetic movie quiz george poole 38 plays 15 questions copy edit show answers see preview multiple choice 3 minutes 1 pt where is hannah from new rochelle new jersey new mexico summerville multiple choice 3 minutes 1 pt why doesn t hannah want to go to the seder she is sleepy she has homework

[the devil s arithmetic test final test hard bookrags com](#) - Apr 04 2022

web the devil s arithmetic test final test hard this set of lesson plans consists of approximately 113 pages of tests essay questions lessons and other teaching materials this test consists of 5 short answer questions 10 short essay questions and 1

[devil s arithmetic final test literature quiz quizizz](#) - Oct 10 2022

web preview this quiz on quizizz where is hannah from devil s arithmetic final test draft 6th 9th grade 0 times english 0 average accuracy 6 months ago svitulano 0 save edit edit devil s arithmetic final test draft 6 months ago by svitulano played 0 times 0 6th 9th grade

the devil s arithmetic quizzes gradesaver - Nov 11 2022

web the devil s arithmetic quiz 1 1 where were hannah and her family going to visit her grandparents brooklyn the bronx queens new jersey 2 for what reason were hannah and her family going to visit her grandparents hanukkah yom kippur passover seder rosh hashanah 3 hannah s mother remarks that all jewish holidays are about what planning

devil s arithmetic final test practice flashcards quizlet - Jun 18 2023

web 1 26 flashcards learn test match created by jessica caskey8 teacher use these to help practice for your test terms in this set 26 time traveling science fiction visiting a place time and event that actually happened historical fiction the name is intimidating but the character is not irony

results for devil s arithmetic final quiz tpt - Jul 07 2022

web the devil s arithmetic 37 page novel guide this is a large 37 page novel unit for the novel the devil s arithmetic by jane yolen this novel unit includes pre reading activities jewish holiday research discussion questions chapters 1 4 journal activity chapters 1 4 nuremberg laws activity discussion questions chapters 5 9 journal activity

devil s arithmetic final test flashcards quizlet - Apr 16 2023

web start studying devil s arithmetic final test learn vocabulary terms and more with flashcards games and other study tools

[the devils arithmetic quizzes questions answers proprofs](#) - Jun 06 2022

web mar 21 2023 recent quizzes the devil s arithmetic final test the devil s arithmetic final test questions 35 attempts 737

last updated mar 21 2023 sample question who said in my village in the camp in the past i was called rivka hannah fayge gitl aunt eva devil s arithmetic vocabulary c1 9 devil s arithmetic vocabulary c1 9

the devil s arithmetic final test flashcards quizlet - Aug 20 2023

web 1 20 flashcards learn test match created by kristal province teacher terms in this set 20 which of the following describe the overall tone of the novel profound revealing hopeful the point of view of the novel is 3rd person omniscient the genre is historical fiction the best theme for the novel is

devil s arithmetic final test flashcards quizlet - Jul 19 2023

web 1942 what year did the story take place they found the nazi soldiers waiting for them what happened when the wedding party arrived in viosk when people are chosen to go into the ovens to be killed what is the choosing she returns as she enters lilith s cave or the oven when does hannah chaya return to the future chaya

the devil s arithmetic test proprofs quiz - Mar 03 2022

web mar 21 2023 correct answer b auschiwts explanation auschwitz is the correct answer because it was one of the largest and deadliest concentration camps established by nazi germany during world war ii

the devil s arithmetic final test part 2 flashcards quizlet - Jan 13 2023

web study with quizlet and memorize flashcards containing terms like what is the significance of the story about the walking dead that hannah tells her brother aaron on the way to their grandparents apartment how would the story have changed if chaya had lived why did the nazi s post the sign work makes you free at the entrance to the camp and more

devils arithmetic test worksheets teaching resources tpt - Feb 14 2023

web this is a final unit test for the devil s arithmetic by jane yolen this test consists of both multiple choice questions and matching review items that pair with this test are the character vocabulary bingo game and the character connection worksheet that

devil s arithmetic final test flashcards quizlet - May 17 2023

web devil s arithmetic final test 5 0 1 review resettlement click the card to flip taken to a concentration camp click the card to flip 1 45 flashcards learn test match created by daurand teacher terms in this set 45 resettlement taken to a concentration camp processed to be gassed and cremated chosen to be picked to die organized