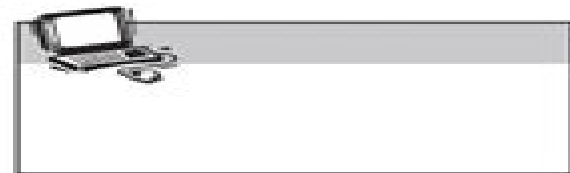
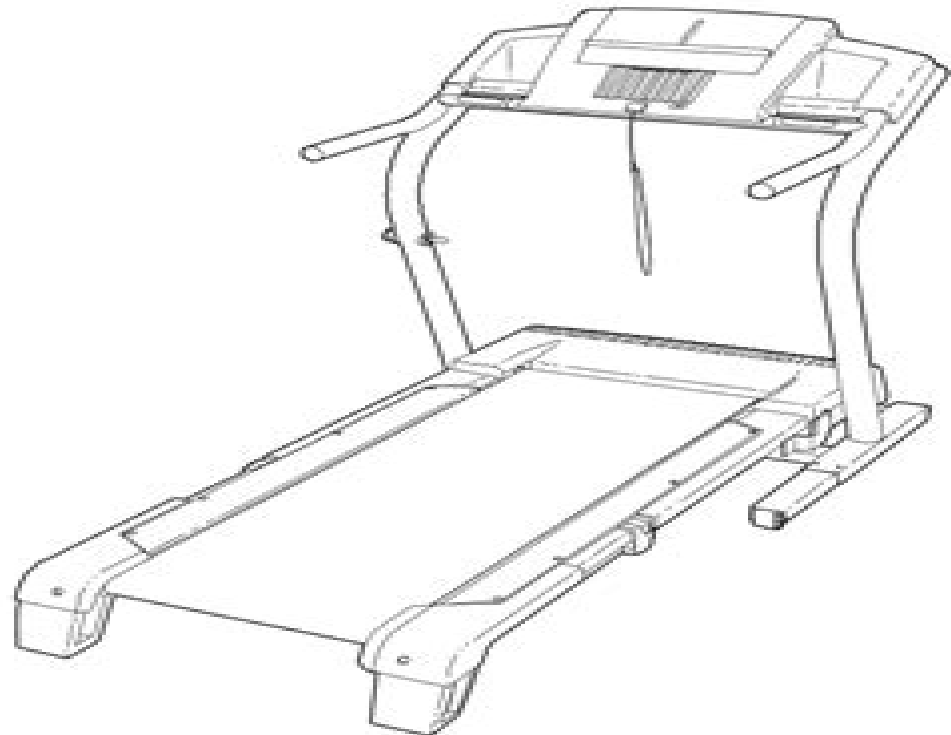
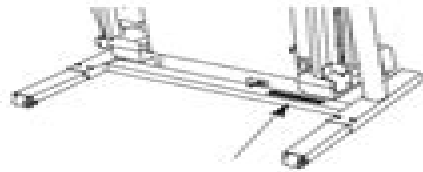


# NordicTrack C2200



# Nordic Track C2200 Manual

**M Mark**



## **Nordic Track C2200 Manual:**

The book delves into Nordic Track C2200 Manual. Nordic Track C2200 Manual is a vital topic that needs to be grasped by everyone, from students and scholars to the general public. The book will furnish comprehensive and in-depth insights into Nordic Track C2200 Manual, encompassing both the fundamentals and more intricate discussions.

1. The book is structured into several chapters, namely:

- Chapter 1: Introduction to Nordic Track C2200 Manual
- Chapter 2: Essential Elements of Nordic Track C2200 Manual
- Chapter 3: Nordic Track C2200 Manual in Everyday Life
- Chapter 4: Nordic Track C2200 Manual in Specific Contexts
- Chapter 5: Conclusion

2. In chapter 1, this book will provide an overview of Nordic Track C2200 Manual. The first chapter will explore what Nordic Track C2200 Manual is, why Nordic Track C2200 Manual is vital, and how to effectively learn about Nordic Track C2200 Manual.

3. In chapter 2, this book will delve into the foundational concepts of Nordic Track C2200 Manual. This chapter will elucidate the essential principles that must be understood to grasp Nordic Track C2200 Manual in its entirety.

4. In chapter 3, the author will examine the practical applications of Nordic Track C2200 Manual in daily life. This chapter will showcase real-world examples of how Nordic Track C2200 Manual can be effectively utilized in everyday scenarios.

5. In chapter 4, the author will scrutinize the relevance of Nordic Track C2200 Manual in specific contexts. The fourth chapter will explore how Nordic Track C2200 Manual is applied in specialized fields, such as education, business, and technology.

6. In chapter 5, the author will draw a conclusion about Nordic Track C2200 Manual. This chapter will summarize the key points that have been discussed throughout the book.

This book is crafted in an easy-to-understand language and is complemented by engaging illustrations. It is highly recommended for anyone seeking to gain a comprehensive understanding of Nordic Track C2200 Manual.

[https://letsgetcooking.org.uk/public/scholarship/Documents/Normandie\\_Comprendre\\_La\\_Normandie\\_Et\\_Normandie\\_Pratique.pdf](https://letsgetcooking.org.uk/public/scholarship/Documents/Normandie_Comprendre_La_Normandie_Et_Normandie_Pratique.pdf)

## **Table of Contents Nordic Track C2200 Manual**

1. Understanding the eBook Nordic Track C2200 Manual
  - The Rise of Digital Reading Nordic Track C2200 Manual
  - Advantages of eBooks Over Traditional Books
2. Identifying Nordic Track C2200 Manual
  - Exploring Different Genres
  - Considering Fiction vs. Non-Fiction
  - Determining Your Reading Goals
3. Choosing the Right eBook Platform
  - Popular eBook Platforms
  - Features to Look for in an Nordic Track C2200 Manual
  - User-Friendly Interface
4. Exploring eBook Recommendations from Nordic Track C2200 Manual
  - Personalized Recommendations
  - Nordic Track C2200 Manual User Reviews and Ratings
  - Nordic Track C2200 Manual and Bestseller Lists
5. Accessing Nordic Track C2200 Manual Free and Paid eBooks
  - Nordic Track C2200 Manual Public Domain eBooks
  - Nordic Track C2200 Manual eBook Subscription Services
  - Nordic Track C2200 Manual Budget-Friendly Options
6. Navigating Nordic Track C2200 Manual eBook Formats
  - ePub, PDF, MOBI, and More
  - Nordic Track C2200 Manual Compatibility with Devices
  - Nordic Track C2200 Manual Enhanced eBook Features
7. Enhancing Your Reading Experience
  - Adjustable Fonts and Text Sizes of Nordic Track C2200 Manual
  - Highlighting and Note-Taking Nordic Track C2200 Manual
  - Interactive Elements Nordic Track C2200 Manual
8. Staying Engaged with Nordic Track C2200 Manual

- Joining Online Reading Communities
  - Participating in Virtual Book Clubs
  - Following Authors and Publishers Nordic Track C2200 Manual
9. Balancing eBooks and Physical Books Nordic Track C2200 Manual
- Benefits of a Digital Library
  - Creating a Diverse Reading Collection Nordic Track C2200 Manual
10. Overcoming Reading Challenges
- Dealing with Digital Eye Strain
  - Minimizing Distractions
  - Managing Screen Time
11. Cultivating a Reading Routine Nordic Track C2200 Manual
- Setting Reading Goals Nordic Track C2200 Manual
  - Carving Out Dedicated Reading Time
12. Sourcing Reliable Information of Nordic Track C2200 Manual
- Fact-Checking eBook Content of Nordic Track C2200 Manual
  - Distinguishing Credible Sources
13. Promoting Lifelong Learning
- Utilizing eBooks for Skill Development
  - Exploring Educational eBooks
14. Embracing eBook Trends
- Integration of Multimedia Elements
  - Interactive and Gamified eBooks

### **Nordic Track C2200 Manual Introduction**

In today's digital age, the availability of Nordic Track C2200 Manual books and manuals for download has revolutionized the way we access information. Gone are the days of physically flipping through pages and carrying heavy textbooks or manuals. With just a few clicks, we can now access a wealth of knowledge from the comfort of our own homes or on the go. This article will explore the advantages of Nordic Track C2200 Manual books and manuals for download, along with some popular platforms that offer these resources. One of the significant advantages of Nordic Track C2200 Manual books and manuals for download is the cost-saving aspect. Traditional books and manuals can be costly, especially if you need to purchase several of

them for educational or professional purposes. By accessing Nordic Track C2200 Manual versions, you eliminate the need to spend money on physical copies. This not only saves you money but also reduces the environmental impact associated with book production and transportation. Furthermore, Nordic Track C2200 Manual books and manuals for download are incredibly convenient. With just a computer or smartphone and an internet connection, you can access a vast library of resources on any subject imaginable. Whether you're a student looking for textbooks, a professional seeking industry-specific manuals, or someone interested in self-improvement, these digital resources provide an efficient and accessible means of acquiring knowledge. Moreover, PDF books and manuals offer a range of benefits compared to other digital formats. PDF files are designed to retain their formatting regardless of the device used to open them. This ensures that the content appears exactly as intended by the author, with no loss of formatting or missing graphics. Additionally, PDF files can be easily annotated, bookmarked, and searched for specific terms, making them highly practical for studying or referencing. When it comes to accessing Nordic Track C2200 Manual books and manuals, several platforms offer an extensive collection of resources. One such platform is Project Gutenberg, a nonprofit organization that provides over 60,000 free eBooks. These books are primarily in the public domain, meaning they can be freely distributed and downloaded. Project Gutenberg offers a wide range of classic literature, making it an excellent resource for literature enthusiasts. Another popular platform for Nordic Track C2200 Manual books and manuals is Open Library. Open Library is an initiative of the Internet Archive, a nonprofit organization dedicated to digitizing cultural artifacts and making them accessible to the public. Open Library hosts millions of books, including both public domain works and contemporary titles. It also allows users to borrow digital copies of certain books for a limited period, similar to a library lending system. Additionally, many universities and educational institutions have their own digital libraries that provide free access to PDF books and manuals. These libraries often offer academic texts, research papers, and technical manuals, making them invaluable resources for students and researchers. Some notable examples include MIT OpenCourseWare, which offers free access to course materials from the Massachusetts Institute of Technology, and the Digital Public Library of America, which provides a vast collection of digitized books and historical documents. In conclusion, Nordic Track C2200 Manual books and manuals for download have transformed the way we access information. They provide a cost-effective and convenient means of acquiring knowledge, offering the ability to access a vast library of resources at our fingertips. With platforms like Project Gutenberg, Open Library, and various digital libraries offered by educational institutions, we have access to an ever-expanding collection of books and manuals. Whether for educational, professional, or personal purposes, these digital resources serve as valuable tools for continuous learning and self-improvement. So why not take advantage of the vast world of Nordic Track C2200 Manual books and manuals for download and embark on your journey of knowledge?

**FAQs About Nordic Track C2200 Manual Books**

How do I know which eBook platform is the best for me? Finding the best eBook platform depends on your reading preferences and device compatibility. Research different platforms, read user reviews, and explore their features before making a choice. Are free eBooks of good quality? Yes, many reputable platforms offer high-quality free eBooks, including classics and public domain works. However, make sure to verify the source to ensure the eBook credibility. Can I read eBooks without an eReader? Absolutely! Most eBook platforms offer webbased readers or mobile apps that allow you to read eBooks on your computer, tablet, or smartphone. How do I avoid digital eye strain while reading eBooks? To prevent digital eye strain, take regular breaks, adjust the font size and background color, and ensure proper lighting while reading eBooks. What the advantage of interactive eBooks? Interactive eBooks incorporate multimedia elements, quizzes, and activities, enhancing the reader engagement and providing a more immersive learning experience. Nordic Track C2200 Manual is one of the best book in our library for free trial. We provide copy of Nordic Track C2200 Manual in digital format, so the resources that you find are reliable. There are also many Ebooks of related with Nordic Track C2200 Manual. Where to download Nordic Track C2200 Manual online for free? Are you looking for Nordic Track C2200 Manual PDF? This is definitely going to save you time and cash in something you should think about. If you trying to find then search around for online. Without a doubt there are numerous these available and many of them have the freedom. However without doubt you receive whatever you purchase. An alternate way to get ideas is always to check another Nordic Track C2200 Manual. This method for see exactly what may be included and adopt these ideas to your book. This site will almost certainly help you save time and effort, money and stress. If you are looking for free books then you really should consider finding to assist you try this. Several of Nordic Track C2200 Manual are for sale to free while some are payable. If you arent sure if the books you would like to download works with for usage along with your computer, it is possible to download free trials. The free guides make it easy for someone to free access online library for download books to your device. You can get free download on free trial for lots of books categories. Our library is the biggest of these that have literally hundreds of thousands of different products categories represented. You will also see that there are specific sites catered to different product types or categories, brands or niches related with Nordic Track C2200 Manual. So depending on what exactly you are searching, you will be able to choose e books to suit your own need. Need to access completely for Campbell Biology Seventh Edition book? Access Ebook without any digging. And by having access to our ebook online or by storing it on your computer, you have convenient answers with Nordic Track C2200 Manual To get started finding Nordic Track C2200 Manual, you are right to find our website which has a comprehensive collection of books online. Our library is the biggest of these that have literally hundreds of thousands of different products represented. You will also see that there are specific sites catered to different categories or niches related with Nordic Track C2200 Manual So depending on what exactly you are searching, you will be



able to choose ebook to suit your own need. Thank you for reading Nordic Track C2200 Manual. Maybe you have knowledge that, people have search numerous times for their favorite readings like this Nordic Track C2200 Manual, but end up in harmful downloads. Rather than reading a good book with a cup of coffee in the afternoon, instead they juggled with some harmful bugs inside their laptop. Nordic Track C2200 Manual is available in our book collection an online access to it is set as public so you can download it instantly. Our digital library spans in multiple locations, allowing you to get the most less latency time to download any of our books like this one. Merely said, Nordic Track C2200 Manual is universally compatible with any devices to read.

### **Find Nordic Track C2200 Manual :**

**normandie comprendre la normandie et normandie pratique**

*nooky an erotic novel*

**nortel networks t7316e hs instructions**

*nordictrack 990 elliptical user guide*

non fiction report writing templates grade 5

nortel networks commander phone manual

nokia 53guide tmobile

nokia x6 user guide ru

**norinco 9x19 manual**

nordyne electric furnace parts

nortel flash voicemail instruction manual

*nokia e63 manual network selection*

nokia bh905i manual

norelco 7310xl manual

*nokia asha 2certificates for notifications*

### **Nordic Track C2200 Manual :**

**0387901086 linear algebraic groups graduate texts in** - Jun 09 2022

web linear algebraic groups graduate texts in mathematics humphreys james e published by new york berlin heidelberg

london paris tokyo hong kong barcelona budapest springer 1975 isbn 10 0387901086 isbn 13 9780387901084

*linear algebraic groups graduate texts in mathematics 21* - Jul 22 2023

web may 13 1975 in 1972 springer verlag published his first book introduction to lie algebras and representation theory  
graduate texts in mathematics vol 9 linear algebraic groups graduate texts in mathematics 21 mitpressbookstore

**graduate texts in mathematics springer** - Dec 15 2022

web 21 humphreys linear algebraic groups 22 23 barnes mack an algebraic introduction to mathematical logic greub linear algebra 4th ed holmes geometric functional analysis and its applications hewitt stromberg real and abstract analysis manes algebraic theories kelley general topology 24 2s 26 27 28

**linear algebraic groups graduate texts in mathemat pdf** - Nov 02 2021

web jul 18 2023 linear algebraic groups graduate texts in mathemat 2 10 downloaded from uniport edu ng on july 18 2023  
by guest honors undergraduate or beginning graduate courses requiring only linear algebra basic abstract algebra and advanced calculus 2 applications to geometry curvature tensors topology jones

**linear algebraic groups graduate texts in mathemat j p** - Mar 06 2022

web little period to entry this on line declaration linear algebraic groups graduate texts in mathemat as capably as evaluation them wherever you are now quadratic forms linear algebraic groups and cohomology skip garibaldi 2010 07 16 developments in mathematics is a book series devoted to all areas of mathematics pure and applied the

**linear algebraic groups graduate texts in mathemat pdf** - Feb 05 2022

web turns to solvable groups general properties of linear algebraic groups and chevally s structure theory of reductive groups over algebraically closed groundfields

**linear group wikipedia** - Apr 07 2022

web in mathematics a matrix group is a group  $G$  consisting of invertible matrices over a specified field  $K$  with the operation of matrix multiplication a linear group is a group that is isomorphic to a matrix group that is admitting a faithful finite dimensional representation over  $K$  any finite group is linear because it can be realized by permutation matrices

**linear algebraic groups graduate texts in mathematics** - Jul 10 2022

web arama yapmak istediğiniz kategoriye seçin

*linear algebraic groups graduate texts in mathematics open* - Sep 12 2022

web april 30 2008 created by an anonymous user imported from amazon com record linear algebraic groups graduate texts in mathematics by j e humphreys december 31 1975 springer verlag ny inc edition hardcover in german deutsch

graduate texts in mathematics springer - Apr 19 2023

web  $y \leq x$  reflexive  $x \leq y$   $x \leq y$  and  $y \leq x$  transitive and  $x \leq y$  and  $y \leq x$  anti symmetric a set with a partial order is called a partially ordered set or simply a poset a linear order on a set is a partial order on  $X$  such that any two elements of  $X$  are comparable i e

for any  $y \in X$  at least one of  $f(x)$  holds

*algebraic groups part i mathematics and statistics* - Aug 23 2023

web introduction first definitions the main examples 3.1 additive groups 3.2 tori 3.3 the general linear group  $GL_n$  3.3.1 the unitary groups  $U_n$  3.4 the orthogonal group  $O_n$  3.4.1 quadratic forms 3.4.2 Clifford algebras 3.4.3 the Clifford and spin groups 3.4.4 reflections 3.5 the symplectic group references 2.3.4.4.4.6.8.9.9.10.12.13

*linear algebraic groups graduate texts in mathematics 21* - May 20 2023

web linear algebraic groups graduate texts in mathematics 21

**linear algebraic groups springerlink** - Sep 24 2023

web presents foundational material on algebraic groups Lie algebras transformation spaces and quotient spaces requires only some familiarity with algebraic geometry part of the book series graduate texts in mathematics GTM volume 126

**linear algebraic group from wolfram mathworld** - May 08 2022

web Oct 12 2023 a linear algebraic group is a matrix group that is also an affine variety in particular its elements satisfy polynomial equations the group operations are required to be given by regular rational functions the linear algebraic groups are similar to the Lie groups except that linear algebraic groups may be defined over any field including

*linear algebraic groups graduate texts in mathematics 21* - Jan 04 2022

web Feb 24 2023 it is not far off from the cost it's about what you're infatuated with currently this linear algebraic groups graduate texts in mathematics as one of the most in action sellers here will certainly be in the course of the best options to review a course in algebra Ernest Borisovich Vinberg 2003 great book

**linear algebraic groups 21 graduate texts in mathematics 21** - Aug 11 2022

web buy linear algebraic groups 21 graduate texts in mathematics 21 1st ed 1975 corr 5th printing 1998 by Humphreys James E ISBN 9780387901084 from Amazon's book store everyday low prices and free delivery on eligible orders

**linear algebraic groups an overview sciencedirect topics** - Oct 13 2022

web May 3 2012 reflection groups Meinolf Geck Gunter Malle in Handbook of Algebra 2006 2:17 connected reductive algebraic groups here we assume that the reader has some familiarity with the theory of linear algebraic groups see Borel 23 Humphreys 106 or Springer 171 let  $G$  be a connected reductive algebraic group over an

**graduate texts in mathematics linear algebraic groups** - Feb 17 2023

web find the latest published papers in graduate texts in mathematics linear algebraic groups top authors related hot topics the most cited papers and related journals

*linear algebraic groups graduate texts in mathematics 21* - Dec 03 2021

web linear algebraic groups an introduction to the theory of groups or beginning graduate courses requiring only linear

algebra basic abstract algebra and advanced calculus 2 an excellent main text for a one year course in lie group theory 6 benefits physicists as well as mathematicians

**graduate texts in mathematics wikipedia** - Jan 16 2023

web linear algebraic groups armand borel 1991 isbn 978 1 4612 6954 0 a basic course in algebraic topology william s massey 1991 isbn 978 0 3879 7430 9 partial differential equations jeffrey rauch 1991 isbn 978 1 4612 6959 5

linear algebraic groups v 21 graduate texts in mathematics - Mar 18 2023

web this text is relatively self contained with fairly standard treatment of the subject of linear algebraic groups as varieties over an algebraic closed field not necessarily characteristic 0 despite being rooted in algebraic geometry the subject has a fair mix of non algebraic geometric arguments

*pdf graduate texts in mathematics advanced linear algebra 3rd* - Nov 14 2022

web we then study the operator of right multiplication within the group algebra of  $w$  by the element whose coefficients are given by this statistic we reinterpret the operators geometrically in terms of the arrangement of reflecting hyperplanes for  $w$   
*linear algebraic groups springerlink* - Jun 21 2023

web book title linear algebraic groups authors james e humphreys series title graduate texts in mathematics doi doi org 10 1007 978 1 4684 9443 3 publisher springer new york ny ebook packages springer book archive copyright information  
springer verlag new york inc 1975 hardcover isbn 978 0 387 90108 4 published 13

siyavula education apps on google play - Sep 25 2022

web may 9 2023 play arrow trailer about this app arrow forward to excel in mathematics physics or chemistry regular practice is key with siyavula you can practise what you re learning at your own pace

**siyavula gr 11 maths teacher guide wced eportal** - Apr 20 2022

web dec 20 2018 siyavula practice learn and master high school maths and physical sciences by doing questions online throughout the year and at your own pace we offer maths grades 8 12 and physical sciences grades 10 12

*siyavula textbooks grade 11 maths archive org* - May 22 2022

web siyavula textbooks grade 11 maths collection editor free high school science texts project siyavula textbooks grade 11 maths collection editor free high school science texts project in grade 10 finance you used exponentials to calculate di erent types of interest for example on a savings account or on a loan and compound growth

*work siyavula* - Nov 27 2022

web siyavula is an educational technology company with a mission to create and enable engaging integrated high quality learning experiences in mathematics and the sciences siyavula has produced book titles spanning mathematics and science subjects from grades 4 12 gr 11 mathematics pdfs cc by nd epub s cc by nd epub s

**siyavula textbooks grade 11 maths 3 1 pdf pdf scribd** - Jun 22 2022

web siyavula textbooks grade 11 maths 3 1 pdf free ebook download as pdf file pdf text file txt or read book online for free scribd is the world s largest social reading and publishing site open navigation menu

*everything math grade 11 mathematics siyavula pdf* - Apr 01 2023

web everything maths grade 11 mathematics version 1 caps written by volunteers teachers guide

grade 11 mathematics siyavula rsa syllabus free kids books - Jul 24 2022

web sep 28 2019 t his is a grade 11 mathematics book created by siyavula it is available in creative commons the book is based on the south african national syllabus which is very closely aligned with the cambridge education system see also the epub online and teachers guides on the link below mathematics grade 11 pdf mathematics grade 11

**mathematics grade 11 table of contents siyavula** - Oct 07 2023

web chapter 11 statistics 11 1 revision 11 2 histograms 11 3 ogives 11 4 variance and standard deviation 11 5 symmetric and skewed data 11 6 identification of outliers 11 7 summary end of chapter exercises practice this chapter chapter 12 linear programming 12 1 introduction optimisation practice this chapter

excel in maths science siyavula - May 02 2023

web siyavula s quality curriculum aligned maths and science textbooks span grades 4 12 you can read them online or download them all totally for free plus our books are open resources so you can copy them share them or even modify and expand them

**measurement table of contents siyavula** - Mar 20 2022

web chapter 7 measurement 7 1 area of a polygon 7 2 right prisms and cylinders 7 3 right pyramids right cones and spheres 7 4 multiplying a dimension by a constant factor 7 5 summary end of chapter exercises

**open textbooks siyavula** - Jun 03 2023

web open textbooks offered by siyavula to anyone wishing to learn maths and science homepractice for learners and parentsfor teachers and schools past paperstextbooks mathematics mathematics grade 7mathematics grade 8mathematics grade 9mathematics grade 10mathematics grade 11mathematics grade 12 mathematical

*grade 11 mathematics by siyavula and volunteers pdf free* - Aug 25 2022

web may 13 2022 grade 11 mathematics by siyavula and volunteers pdf free download by zoya may 13 2022 0 484 grade 11 mathematics by siyavula and volunteers pdf free download mathematics is commonly thought of as being about numbers but mathematics is actually a language mathematics is the language that nature speaks to us in

*6 4 trigonometric equations trigonometry siyavula* - Oct 27 2022

web siyavula s open mathematics grade 11 textbook chapter 6 on trigonometry covering 6 4 trigonometric equations home

practice for learners and parents for teachers and schools

**physical sciences grade 11 table of contents siyavula** - Feb 16 2022

web chapter 1 vectors in two dimensions 1 2 resultant of perpendicular vectors 1 3 components of vectors end of chapter exercises chapter 2 newtons laws 2 3 newton s laws 2 4 forces between masses end of chapter exercises part 1 end of chapter exercises part 2 chapter 3 atomic combinations 3 3 electronegativity 3 4 energy and bonding

[log in siyavula](#) - Dec 29 2022

web mathematics grade 7 mathematics grade 8 mathematics grade 9 mathematics grade 10 mathematics grade 11

mathematics grade 12 mathematical literacy physical sciences

[siyavula mathematics grade 11 open textbook pdf fraction](#) - Jul 04 2023

web siyavula mathematics grade 11 open textbook free ebook download as pdf file pdf text file txt or read book online for free mathematics grade 11 open textbook

**siyavula textbooks grade 11 maths archive org** - Feb 28 2023

web sep 9 2022 the source can be found at github com cnx user books cnxbook fhsst grade 11 maths addeddate 2022 09 09 12 26 48 cnx collection id col11243 identifier cnx org col11243 identifier ark ark 13960 s2rt27p0bsp

[siyavula textbooks grade 11 maths fhsst archive org](#) - Jan 30 2023

web nov 26 2010 siyavula textbooks grade 11 maths by fhsst publication date 2010 11 26 usage attribution 3 0 collection siyavula additional collections

**everything math grade 11 mathematics siyavula pdf** - Aug 05 2023

web everything math grade 11 mathematics siyavula pdf everything math grade 11 mathematics siyavula pdf sign in details

**everything maths siyavula** - Sep 06 2023

web the everything maths and science series is one of the titles developed and openly released by siyavula for more information about the writing and distribution of these or other openly licensed titles siyavula com info siyavula com 021 469 4771 siyavula authors alison jenkin marina van zyl dr carl scheffler siyavula and db team

**personification in shel silverstein ppt slideshare** - Feb 16 2022

web oct 16 2023 personification in shel silverstein ppt 1 of 39 personification in shel silverstein oct 16 2023 0 likes 0 views download now download to read offline education academic paper writing service helpwriting net personification in shel silverstein sandra gubner follow recommended

[personification and imagery in shel silverstein s the ipl org](#) - Sep 25 2022

web the boy was being greedy and kept asking the tree for stuff over and over again he never worked hard to try to get the things he wanted on his own in the giving tree shel silverstein uses personification and imagery to explain how the tree could

communicate with the boy when he was being greedy

**10 shel silverstein poems poem analysis** - Jan 30 2023

web 93 100 whatif by shel silverstein whatif by shel silverstein is a playful presentation of fears struggles and uncertainties that haunt silverstein at night in whatif silverstein uses his classic approach to delve into the theme of anxiety presenting it in a way that is both relatable and easily understood

**7 famous poems for teaching shel silverstein commonlit** - Jul 04 2023

web dec 16 2022 masks is one of the most famous poems by shel silverstein in which the two main characters wear masks to hide their blue skin they spend their whole lives searching for others who have blue skin like them but pass right by each other because of the masks that hide who they really are

**21 short and sweet shel silverstein poems that ll bring you** - Nov 27 2022

web 20 eighteen flavors where the sidewalk ends 21 superstitious a light in the attic all of shel silverstein s wordplay and whimsy truly encourage us to laugh out loud and live out loud his heartfelt thought provoking poems urge us to be creative and express ourselves

*poetry shel silverstein* - Jun 03 2023

web the theme in this poem is how hypercritical us humans can be and that we might not be as perfect as we think we are silverstein uses easy and quite childish language in his poem he also uses hyperbole repetition personification rhyme alliteration and metaphor

*shel silverstein poems poems by shel silverstein poem hunter* - Oct 27 2022

web 1 day ago in this list you will see the best of shel silverstein poems 10 smart poem by shel silverstein my dad gave me one dollar bill cause i m his smartest son and i swapped it for two shiny quarters cause two is more than one shel silverstein understands children and knows how they think

best shel silverstein poems with figurative language - Aug 25 2022

web shel silverstein s poems often use metaphors similes personification and other forms of figurative language to convey deeper meanings through these literary devices he brings ordinary objects and abstract concepts to life creating a world of imagination and wonder

10 of the best shel silverstein poems everyone should read - Oct 07 2023

web shel silverstein 1930 99 was a popular american poet cartoonist musician singer songwriter and man of many artistic talents his most enduring poems are those which he wrote for younger readers

**personification literary devices edgar allan poe and shel silverstein** - Sep 06 2023

web this whole poem is a creative example of personification with no legs inside them and no feet beneath they ll whirl and

twirl and jiggle and prance so just start the music and give them a chance for shel silverstein adding personification is his poems makes them fun for kids to read creating lifeless pants that dance is fun or anyone to

**the best of shel silverstein 13 popular poems family friend poems** - Jun 22 2022

web shel silverstein 1930 1999 is one of the most well known children s poets his poems are fun and humorous but many of them also include a lesson this poem teaches a lesson about greed the subject of this poem is given a magic wish and he

**20 of our favorite shel silverstein poems art sheep** - Jul 24 2022

web 20 of our favorite shel silverstein poems sheldon allan shel silverstein 1930 1999 also naming himself uncle shelby in some works was an american poet and writer of children s book also known for his cartoons and song writing as well as screen writing

*top 10 best shel silverstein poems poem analysis* - May 02 2023

web sick is a funny poem by shel silverstein that tells the lighthearted story of a child who does whatever she can to convince her parents she can t go to school i cannot go to school today said little peggy ann mckay i have the measles and the mumps a gash a rash and purple bumps

*shel silverstein poems with valuable life lessons entity mag* - Apr 20 2022

web aug 2 2018 here are 13 poignant silverstein poems that have much to say about life love and growing up 1 the voice photo via instagram therapysmithk the pressure to adjust to other s opinions only increases as we get older perhaps you haven t followed the career path your parents intended you don t blah blah blah

*shel silverstein poems by the famous poet all poetry* - May 22 2022

web but time went by and the boy grew older and the tree was often alone then one day the boy came to the tree and the tree said come boy come and climb up my trunk and swing from my branches and eat apples and play in my shade and be happy i am too big to climb and play said

personification examples and definition of personification - Feb 28 2023

web personification is a literary device found often in children s literature this is an effective use of figurative language because personification relies on imagination for understanding of course readers know at a logical level that nonhuman things cannot feel

*quora a place to share knowledge and better understand the world* - Apr 01 2023

web we would like to show you a description here but the site won t allow us

**shel silverstein poetry foundation** - Aug 05 2023

web his books have been commended for their appeal to both adults and children silverstein s poems are often darkly humorous irreverent and populated with invented characters such as the bloath in where the sidewalk ends who dwells i n



the undergrowth and feeds upon poets and tea

*100 best collection of poems by the poet shel silverstein* - Mar 20 2022

web nov 26 2021 100 best collection of poems by the poet shel silverstein these shel silverstein poems will make you find something to identify yourself with no matter what your age is sheldon allan silverstein was born on september 25 1930 was an american poet songwriter cartoonist screenwriter playwright author of children s books

[shel silverstein wikipedia](#) - Dec 29 2022

web best shel silverstein poems at the wayback machine archived 2015 07 22 shel silverstein at the internet speculative fiction database shel silverstein profile and poems at poets org