

# Suzuki Baleno 1995-2005 Workshop Manual

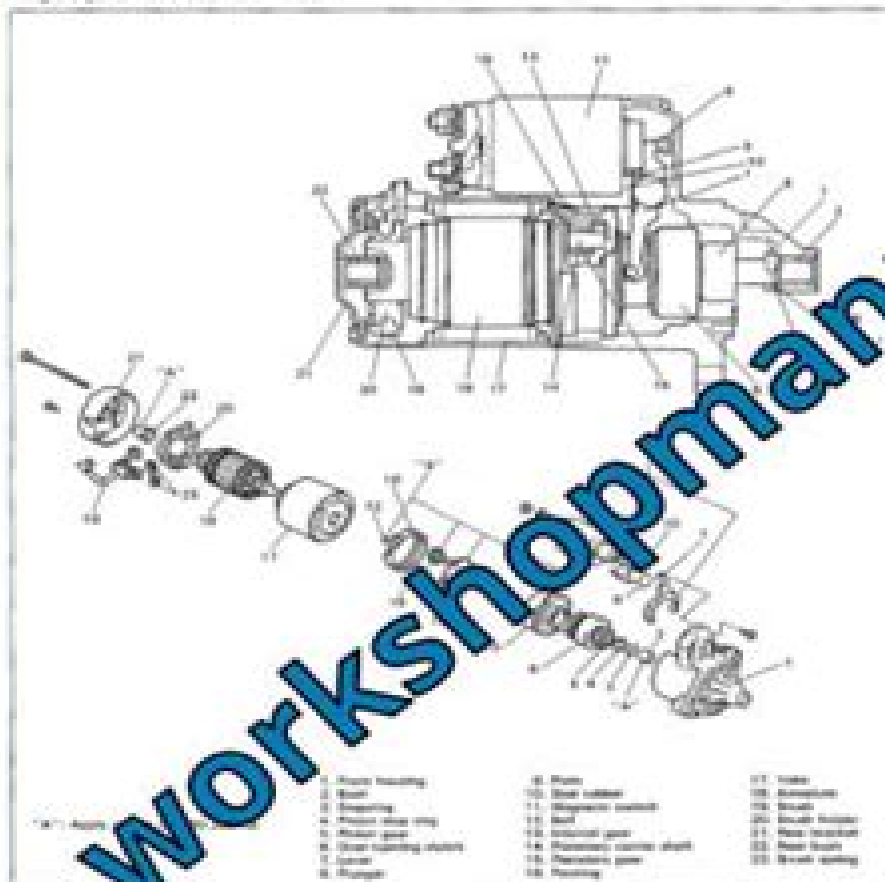
## STARTING MOTOR

The starting motor consists of parts shown in below and has permanent magnets mounted in starting motor pole shoes.

The magnets switch assembly and parts in the starting motor are enclosed in the housings so that they will be protected against possible dirt and water splash.

### NOTE:

- Make sure to apply grease before assembly where as indicated "A" in the figure below.
- Spare parts have been lubricated.



### Main Bearings

#### General Information

- Service main bearings (ID 0058) in 1-1/2" of bearings after
- Upper half of bearing
- Tighten this half a

# PDF

## DOWNLOAD

### Inspection

When installing each bearing cap to cylinder block, point arrow mark toward crankshaft pulley side and install each cap from that side to flywheel side in ascending order of numbers "1", "2", "3", "4" and "5". Tighten cap bolts to specified torque.

When installing each bearing cap to cylinder block, point arrow mark toward crankshaft pulley side and install each cap from that side to flywheel side in ascending order of numbers "1", "2", "3", "4" and "5". Tighten cap bolts to specified torque.

When installing each bearing cap to cylinder block, point arrow mark toward crankshaft pulley side and install each cap from that side to flywheel side in ascending order of numbers "1", "2", "3", "4" and "5". Tighten cap bolts to specified torque.

### Inspection

Check bearings for pitting, scratches, wear or damage. If any malformation is found, replace both upper and lower halves. Never replace one half without replacing the other half.

### Main bearing clearance

Check clearance by using gaging plastic according to following procedure.

- 1) Remove bearing caps.
- 2) Clean bearings and main journals.
- 3) Place a piece of gaging plastic to full width of bearing (parallel to crankshaft) on journal, avoiding oil hole.

- 4) Install bearing cap as previously outlined and evenly torque cap bolts to specified torque. Bearing cap **MUST** be torqued to specification in order to assure proper reading of clearance.

### Tightening Torque

Cap: 54 N·m (39.4 kg-m, 39.8 ft-lb)

### NOTE:

Do not rotate crankshaft while gaging plastic is installed.

# Suzuki Baleno Esteem Workshop Repair Manual 1995 1998

**Hongru Du**



**Suzuki Baleno Esteem Workshop Repair Manual 1995 1998:**

When people should go to the book stores, search instigation by shop, shelf by shelf, it is truly problematic. This is why we offer the ebook compilations in this website. It will certainly ease you to see guide **Suzuki Baleno Esteem Workshop Repair Manual 1995 1998** as you such as.

By searching the title, publisher, or authors of guide you in fact want, you can discover them rapidly. In the house, workplace, or perhaps in your method can be every best area within net connections. If you plan to download and install the Suzuki Baleno Esteem Workshop Repair Manual 1995 1998, it is unquestionably simple then, past currently we extend the belong to to purchase and create bargains to download and install Suzuki Baleno Esteem Workshop Repair Manual 1995 1998 for that reason simple!

[https://letsgetcooking.org.uk/results/Resources/fetch.php/Ramotshere\\_Moiloa\\_Mathematics\\_Paperyear\\_June\\_2015\\_Grade10.pdf](https://letsgetcooking.org.uk/results/Resources/fetch.php/Ramotshere_Moiloa_Mathematics_Paperyear_June_2015_Grade10.pdf)

## **Table of Contents Suzuki Baleno Esteem Workshop Repair Manual 1995 1998**

1. Understanding the eBook Suzuki Baleno Esteem Workshop Repair Manual 1995 1998
  - The Rise of Digital Reading Suzuki Baleno Esteem Workshop Repair Manual 1995 1998
  - Advantages of eBooks Over Traditional Books
2. Identifying Suzuki Baleno Esteem Workshop Repair Manual 1995 1998
  - Exploring Different Genres
  - Considering Fiction vs. Non-Fiction
  - Determining Your Reading Goals
3. Choosing the Right eBook Platform
  - Popular eBook Platforms
  - Features to Look for in an Suzuki Baleno Esteem Workshop Repair Manual 1995 1998
  - User-Friendly Interface
4. Exploring eBook Recommendations from Suzuki Baleno Esteem Workshop Repair Manual 1995 1998
  - Personalized Recommendations

- Suzuki Baleno Esteem Workshop Repair Manual 1995 1998 User Reviews and Ratings
- Suzuki Baleno Esteem Workshop Repair Manual 1995 1998 and Bestseller Lists
- 5. Accessing Suzuki Baleno Esteem Workshop Repair Manual 1995 1998 Free and Paid eBooks
  - Suzuki Baleno Esteem Workshop Repair Manual 1995 1998 Public Domain eBooks
  - Suzuki Baleno Esteem Workshop Repair Manual 1995 1998 eBook Subscription Services
  - Suzuki Baleno Esteem Workshop Repair Manual 1995 1998 Budget-Friendly Options
- 6. Navigating Suzuki Baleno Esteem Workshop Repair Manual 1995 1998 eBook Formats
  - ePub, PDF, MOBI, and More
  - Suzuki Baleno Esteem Workshop Repair Manual 1995 1998 Compatibility with Devices
  - Suzuki Baleno Esteem Workshop Repair Manual 1995 1998 Enhanced eBook Features
- 7. Enhancing Your Reading Experience
  - Adjustable Fonts and Text Sizes of Suzuki Baleno Esteem Workshop Repair Manual 1995 1998
  - Highlighting and Note-Taking Suzuki Baleno Esteem Workshop Repair Manual 1995 1998
  - Interactive Elements Suzuki Baleno Esteem Workshop Repair Manual 1995 1998
- 8. Staying Engaged with Suzuki Baleno Esteem Workshop Repair Manual 1995 1998
  - Joining Online Reading Communities
  - Participating in Virtual Book Clubs
  - Following Authors and Publishers Suzuki Baleno Esteem Workshop Repair Manual 1995 1998
- 9. Balancing eBooks and Physical Books Suzuki Baleno Esteem Workshop Repair Manual 1995 1998
  - Benefits of a Digital Library
  - Creating a Diverse Reading Collection Suzuki Baleno Esteem Workshop Repair Manual 1995 1998
- 10. Overcoming Reading Challenges
  - Dealing with Digital Eye Strain
  - Minimizing Distractions
  - Managing Screen Time
- 11. Cultivating a Reading Routine Suzuki Baleno Esteem Workshop Repair Manual 1995 1998
  - Setting Reading Goals Suzuki Baleno Esteem Workshop Repair Manual 1995 1998
  - Carving Out Dedicated Reading Time
- 12. Sourcing Reliable Information of Suzuki Baleno Esteem Workshop Repair Manual 1995 1998
  - Fact-Checking eBook Content of Suzuki Baleno Esteem Workshop Repair Manual 1995 1998

- Distinguishing Credible Sources
13. Promoting Lifelong Learning
- Utilizing eBooks for Skill Development
  - Exploring Educational eBooks
14. Embracing eBook Trends
- Integration of Multimedia Elements
  - Interactive and Gamified eBooks

### **Suzuki Baleno Esteem Workshop Repair Manual 1995 1998 Introduction**

In this digital age, the convenience of accessing information at our fingertips has become a necessity. Whether its research papers, eBooks, or user manuals, PDF files have become the preferred format for sharing and reading documents. However, the cost associated with purchasing PDF files can sometimes be a barrier for many individuals and organizations. Thankfully, there are numerous websites and platforms that allow users to download free PDF files legally. In this article, we will explore some of the best platforms to download free PDFs. One of the most popular platforms to download free PDF files is Project Gutenberg. This online library offers over 60,000 free eBooks that are in the public domain. From classic literature to historical documents, Project Gutenberg provides a wide range of PDF files that can be downloaded and enjoyed on various devices. The website is user-friendly and allows users to search for specific titles or browse through different categories. Another reliable platform for downloading Suzuki Baleno Esteem Workshop Repair Manual 1995 1998 free PDF files is Open Library. With its vast collection of over 1 million eBooks, Open Library has something for every reader. The website offers a seamless experience by providing options to borrow or download PDF files. Users simply need to create a free account to access this treasure trove of knowledge. Open Library also allows users to contribute by uploading and sharing their own PDF files, making it a collaborative platform for book enthusiasts. For those interested in academic resources, there are websites dedicated to providing free PDFs of research papers and scientific articles. One such website is Academia.edu, which allows researchers and scholars to share their work with a global audience. Users can download PDF files of research papers, theses, and dissertations covering a wide range of subjects. Academia.edu also provides a platform for discussions and networking within the academic community. When it comes to downloading Suzuki Baleno Esteem Workshop Repair Manual 1995 1998 free PDF files of magazines, brochures, and catalogs, Issuu is a popular choice. This digital publishing platform hosts a vast collection of publications from around the world. Users can search for specific titles or explore various categories and genres. Issuu offers a seamless reading experience with its user-friendly interface and allows users to download PDF files for offline reading. Apart from dedicated platforms, search engines also play a crucial role in finding free

PDF files. Google, for instance, has an advanced search feature that allows users to filter results by file type. By specifying the file type as "PDF," users can find websites that offer free PDF downloads on a specific topic. While downloading Suzuki Baleno Esteem Workshop Repair Manual 1995 1998 free PDF files is convenient, it's important to note that copyright laws must be respected. Always ensure that the PDF files you download are legally available for free. Many authors and publishers voluntarily provide free PDF versions of their work, but it's essential to be cautious and verify the authenticity of the source before downloading Suzuki Baleno Esteem Workshop Repair Manual 1995 1998. In conclusion, the internet offers numerous platforms and websites that allow users to download free PDF files legally. Whether it's classic literature, research papers, or magazines, there is something for everyone. The platforms mentioned in this article, such as Project Gutenberg, Open Library, Academia.edu, and Issuu, provide access to a vast collection of PDF files. However, users should always be cautious and verify the legality of the source before downloading Suzuki Baleno Esteem Workshop Repair Manual 1995 1998 any PDF files. With these platforms, the world of PDF downloads is just a click away.

## **FAQs About Suzuki Baleno Esteem Workshop Repair Manual 1995 1998 Books**

**What is a Suzuki Baleno Esteem Workshop Repair Manual 1995 1998 PDF?** A PDF (Portable Document Format) is a file format developed by Adobe that preserves the layout and formatting of a document, regardless of the software, hardware, or operating system used to view or print it.

**How do I create a Suzuki Baleno Esteem Workshop Repair Manual 1995 1998 PDF?** There are several ways to create a PDF: Use software like Adobe Acrobat, Microsoft Word, or Google Docs, which often have built-in PDF creation tools. Print to PDF: Many applications and operating systems have a "Print to PDF" option that allows you to save a document as a PDF file instead of printing it on paper. Online converters: There are various online tools that can convert different file types to PDF.

**How do I edit a Suzuki Baleno Esteem Workshop Repair Manual 1995 1998 PDF?** Editing a PDF can be done with software like Adobe Acrobat, which allows direct editing of text, images, and other elements within the PDF. Some free tools, like PDFescape or Smallpdf, also offer basic editing capabilities.

**How do I convert a Suzuki Baleno Esteem Workshop Repair Manual 1995 1998 PDF to another file format?** There are multiple ways to convert a PDF to another format: Use online converters like Smallpdf, Zamzar, or Adobe Acrobat's export feature to convert PDFs to formats like Word, Excel, JPEG, etc. Software like Adobe Acrobat, Microsoft Word, or other PDF editors may have options to export or save PDFs in different formats.

**How do I password-protect a Suzuki Baleno Esteem Workshop Repair Manual 1995 1998 PDF?** Most PDF editing software allows you to add password protection. In Adobe Acrobat, for instance, you can go to "File" -> "Properties" -> "Security" to set a password to restrict access or editing capabilities. Are there any free alternatives to Adobe Acrobat for working with

PDFs? Yes, there are many free alternatives for working with PDFs, such as: LibreOffice: Offers PDF editing features. PDFsam: Allows splitting, merging, and editing PDFs. Foxit Reader: Provides basic PDF viewing and editing capabilities. How do I compress a PDF file? You can use online tools like Smallpdf, ILovePDF, or desktop software like Adobe Acrobat to compress PDF files without significant quality loss. Compression reduces the file size, making it easier to share and download. Can I fill out forms in a PDF file? Yes, most PDF viewers/editors like Adobe Acrobat, Preview (on Mac), or various online tools allow you to fill out forms in PDF files by selecting text fields and entering information. Are there any restrictions when working with PDFs? Some PDFs might have restrictions set by their creator, such as password protection, editing restrictions, or print restrictions. Breaking these restrictions might require specific software or tools, which may or may not be legal depending on the circumstances and local laws.

### **Find Suzuki Baleno Esteem Workshop Repair Manual 1995 1998 :**

*ramotshere moiloa mathematics paperyear june 2015 grade10*

*random graph dynamics rick durrett*

**rangemaster 90 dual fuel ranges owners manual**

**rally 12 hp riding mower manual**

*rat dissection guide answers*

*randell 9404 7 owners manual*

*randell ran sea 3 refrigerators owners manual*

*raised by dogs the mysterious man*

*range rover sport technical manual*

**rapport annuel commission suprieure codification**

**ranch dressing chicken crockpot recipe**

*rare batman comic books*

*rapidlab 1200 service manual*

**rational and irrational numbers study guide**

*ratnasagar english guide for class 8*

### **Suzuki Baleno Esteem Workshop Repair Manual 1995 1998 :**

*airbus support equipment summary introduction - Jan 28 2022*



web airbus support equipment summary introduction 1 general the support equipment summary is intended as a guide and a reference for operators concerned with support equipment and tools for aircraft servicing maintenance and shop overhaul of system and structure components 2

*airbus tool capability list 2020 03 27 satair - Apr 30 2022*

web o Ç v o Ç v

**tools ground support equipment h145 ec145 family airbus** - May 12 2023

web user guide towing mooring and immobilization tools containers and cases safety and security equipment extractors guides and calibrated wrenches testing measurement and maintenance tools benches services and maintenance benches please note that depending on the catalog version all the tool families may not be necessarily applicable

tool equipment bulletin no teb 21630si1 1 i avionteq - Oct 05 2022

web apr 2 2019 description this tool is used to perform tests on arinc429 tool status n a note cage code vendor f6614 eca group aerospace division for more information please contact repair vendor airbus com reason for information introduction detailed description history teb reference

**safetyfirst airbus com** - Jun 01 2022

web special tools or ground support equipment gse may be required to perform some maintenance tasks airbus provides a list of approved suppliers for gse or tools in the tools and equipment manual tem gse or tools from suppliers that are not listed in the tem may be offered to operators and maintenance organizations as alternatives

**volume normal procedures** - Dec 27 2021

web airbus x volume 2 normal procedures version 02 01 xx record of revisions revision n issue date description 001 28 aug 2010 release aerosoft airbus x normal procedures vol 2 02 01 2 30 august 2010 cockpit safety inspection pnf duty

tools ground support equipment h135 ec135 family airbus - Apr 11 2023

web with the aim of continuously improving its services airbus helicopters is pleased to present you its new tools ground support equipment commercial catalog this catalog intends to illustrate the suite of specific tools and ground support equipment for o and i

*helicopter technical support airbus* - Jul 02 2022

web the c rfm computerised rotorcraft flight manual which is available for the h160 via a digital tablet is a fully digital flight manual solution certified by the airworthiness authorities and allows operators to fly in a paperless cockpit it offers a smart access to the flight manual tailored to the customers helicopter configuration

ground support equipment gse maintain airbus aircraft - Feb 09 2023

web line sizing line sizing tool enables b1 or equivalent mechanics to perform damage sizing on a350 monolithic cfrp learn

more on store line sizing map combo this combo kit contains line map and line sizing gse learn more

**tool recertification capability list airbus** - Aug 03 2022

web tool recertification capability list all customer a220 program designated addresses for airbus approved repair shops hydro systems kg robert koch strasse 23b d 22851 norderstedt glashütte germany hydro systems kg ahfeldstraße 10 d 77781 biberach germany hydro service uk

**tools ground support equipment h175 family airbus** - Jan 08 2023

web with the aim of continuously improving its services airbus helicopters is pleased to present you its new tools ground support equipment commercial catalog this catalog intends to illustrate the suite of tools and ground support equipment and associated services that

**using approved tools and ground support equipment for airbus** - Mar 10 2023

web special tools or ground support equipment gse may be required to perform some maintenance tasks airbus provides a list of approved suppliers for gse or tools in the tools and equipment manual tem gse or tools from suppliers that are not listed in the tem may be offered to operators and maintenance organizations as alternatives

**tools ground support equipment ecureuil family airbus** - Dec 07 2022

web with the aim of continuously improving its services airbus helicopters is pleased to present you its new tools ground support equipment commercial catalog this catalog intends to illustrate the suite of specific tools and ground support equipment for o and i

**airbus drawing services general information** - Nov 06 2022

web tool equipment drawings ted tool equipment drawings access to airbus sas and vendor tool drawings non proprietary as referred in the tem tool equipment manual vendor tool drawings classified as proprietary part in the tem are not available this application is not granted to mro s and service providers

**tools ground support equipment dauphin family airbus** - Aug 15 2023

web user guide towing mooring and immobilization tools containers and cases safety and security equipment extractors guides and calibrated wrenches testing measurement and maintenance tools benches services and maintenance benches please note that depending on the catalog version all the tool families may not be necessarily applicable

**airbus tool and equipment tronair** - Jul 14 2023

web find all the airbus tools aircraft ground support equipment you need for your plane tronair is home to dozens of high quality ground support equipment for various models from the a310 to the a350 browse purchase the

**technical publications airbus u s** - Sep 04 2022

web the primary publications provided are a flight manual maintenance manuals and procurement and identification manuals

parts and tools catalogue these publications cover standard and customized helicopter installations as well as optional equipment

[aircraft gse and tools aviationhunt](#) - Feb 26 2022

web jul 31 2022 airbus divides gse into two categories tools standard tools specific tools standard gse standard tools are hand tools such as spanners sockets gauges torque wrenches the specifications size range capacity accuracy are given in the related aircraft maintenance manual amm task to let operators use the tool brand of

**airbus** - Jun 13 2023

web the purpose of the ses is to list all tools which are called up in the airbus and vendor documentation the summary is divided into chapters sections as defined in the ata 100 specification srm structural repair manual tem tool and equipment manual 11 tpsup technical publication supplier for documentation support equipment

**aircraft characteristics airport and maintenance planning ac airbus** - Mar 30 2022

web airbus s a s customer services technical data support and services 31707 blagnac cedex france issue sep 30 85 rev dec 01 20 a320 aircraft characteristics airport and maintenance planning highlights revision no 39 dec 01 20 locations chg code descriptions of change

**unisa cao handbook program 2023 pqr uiaf gov co** - Feb 09 2023

web unisa cao handbook program this is likewise one of the factors by obtaining the soft documents of this unisa cao handbook program by online you might not require more grow old to spend to go to the ebook establishment as with ease as search for them in some cases you likewise reach not discover the statement unisa cao handbook

**home caot unisa** - Oct 05 2022

web centro di ateneo per l orientamento e il tutorato università degli studi di salerno via giovanni paolo ii 132 84084 fisciano sa

[unisa cao handbook program webdisk gestudy byu edu](#) - Jan 08 2023

web feb 28 2023 1 unisa cao handbook program this is likewise one of the factors by obtaining the soft documents of this unisa cao handbook program by online you might not require more period to spend to go to the books commencement as competently as search for them

[unisa cao handbook program pdf 2023 nyc 01](#) - Feb 26 2022

web unisa cao handbook program pdf 1 1 downloaded from nyc 01 production venveo com on january 19 2023 by guest unisa cao handbook program pdf yeah reviewing a books unisa cao handbook program pdf could mount up your near connections listings this is just one of the solutions for you to be successful

*didattica orientamento unisa* - Jun 01 2022

web il centro di ateneo per l orientamento e il tutorato caot assicura molteplici forme di sostegno agli studenti svolgendo attività di orientamento di accoglienza e di informazione al fine di favorire una scelta consapevole del futuro percorso di studio e di promuovere la conoscenza delle opportunità formative e dei servizi offerti dall ateneo

[unisa cao handbook program admision cbp edu pe](#) - Mar 30 2022

web 2 unisa cao handbook program 2022 10 12 unisa cao handbook program downloaded from admision cbp edu pe by guest jordan siena urban planning education routledge this book presents key concepts information and principles that should underlie the practice of adult education in african contexts it assumes that adult educators should

[download unisa handbook pdf for all programmes 2024](#) - Jul 14 2023

web unisa handbook pdf 2023 the download the university of south africa handbook for undergraduate and postgraduate programmes for the 2024 2025 academic year

*unisa* - Nov 06 2022

web progetto talenti tecnologie apprendimenti e lavoro education net team working per lo sviluppo dell identità

*unisa cao handbook program uniport edu ng* - Jul 02 2022

web leading figures in the field this handbook provides an overview of public affairs and government relations for students ceos association executives politicians lobbyists and business managers

**unisa cao handbook program sam arabtravelers com** - Apr 11 2023

web 2 unisa cao handbook program 2020 02 14 gonzalez levy community nutrition for developing countries cambridge university press patterns of globalization the flow of students and scholars across borders the impact of information technology and other key forces are critically assessed this book is a key resource for

**unisa cao handbook program uniport edu ng** - Apr 30 2022

web mar 29 2023 to download any of our books later than this one merely said the unisa cao handbook program is universally compatible past any devices to read open and distance education in asia africa and the middle east olaf zawacki richter 2019 02 18 this book is open access under a cc by 4 0 license this book describes the history structure and

**unisa cao handbook program 50storiesfortomorrow ilfu com** - Sep 04 2022

web unisa cao handbook program this is likewise one of the factors by obtaining the soft documents of this unisa cao handbook program by online you might not require more time to spend to go to the books creation as capably as search for them in some cases you likewise realize not discover the broadcast unisa cao handbook

**unisa cao handbook program banpaen** - Jan 28 2022

web jun 12 2023 this unisa cao handbook program but end up in detrimental downloads if you colleague habit such a referred unisa cao handbook program books that will find the money for you worth get the unequivocally best seller from us

currently from several preferred authors you could buy handbook unisa cao handbook program or get it as

**unisa cao handbook program pdf 2023 red ortax** - Jun 13 2023

web unisa cao handbook program pdf introduction unisa cao handbook program pdf 2023 handbook s university of the state of new york 1966 cao handbook entry 2000 central applications office 1999 mathematics education in the digital age

unisa cao handbook program pdf chander prakash - Aug 03 2022

web jun 22 2023 handbook of reliability engineering hoang pham 2006 04 18 an effective reliability programme is an essential component of every product s design testing and efficient production from the failure analysis of a microelectronic device to software fault tolerance and from the accelerated life testing of mechanical components to hardware

*unisa cao handbook program uniport edu ng* - Dec 27 2021

web may 20 2023 unisa cao handbook program 2 10 downloaded from uniport edu ng on may 20 2023 by guest science and data science and analytics for advancing service innovation and the welfare of society handbook of service science volume ii offers a thorough reference suitable for a wide reaching

download unisa handbook 2023 pdf for all programmes - Aug 15 2023

web apr 11 2022 unisa handbook 2021 university of south africa handbook 2023 contains the list of courses admission guide admission requirements and all admission application information to guide you through the university of south africa admission process

**t c diŞİŞLERİ bakanliĞi avrupa bİrliĐi baŞkanliĐi** - Mar 10 2023

web sıra no proje numarası başvuran kurum kuruluş adı proje adı İli kabul edilen azami hibe avro 1 2022 1 tr01 ka210 adu 000083745 kastamonu sanat İşleyen eller ve yöresel

unisa students handbook 2022 brochure and prospectus pdf - May 12 2023

web dec 22 2020 the university of south africa handbook 2022 pdf download contains the list of unisa courses admission application guide fees structure admission requirements academic calendar aps calculator courses programmes duration and all admission application information to guide you through the university of south africa admission

**unisa cao handbook program pdf 2023** - Dec 07 2022

web jun 7 2023 unisa cao handbook program pdf getting the books unisa cao handbook program pdf now is not type of inspiring means you could not isolated going once book collection or library or borrowing from your friends to read them this is an agreed easy means to specifically get lead by on line this online notice unisa cao

*savita bhabhi bollywood dreams kirtu porn comic allporncomic* - Jan 17 2023

web aug 29 2019 savita bhabhi is a sexy indian housewife who loves to explore her fantasies in various erotic adventures in this comic series she gets a chance to star in a

[savita indian porn videos bhabhi xxx movies](#) - Jul 11 2022

web savita bhabhi ki tang thakar chudai hardcore gung ho desi indian village bhabhi plays with reference to her big heart of hearts and hairy pussy on webcam hardcore hot

**savita bhabhi 8muses sex and porn comics** - Mar 19 2023

web savita bhabhi episode 71 pussy on the catwalk 1 2 3 a huge collection of free porn comics for adults read kirtu com comics savita bhabhi online for free at 8muses com

[xcomics free adult porn comics](#) - May 21 2023

web savita bhabhi episode 145 the great escape 1 year ago porn comics savita bhabhi ep 143 what a headache 1 year ago porn comics savita bhabhi ep 144



[savita bhabhi cartoon xhamster](#) - Jun 10 2022

web savita bhabhi cartoon explore tons of xxx videos with sex scenes in 2023 on xhamster

[savita bhabhi search xnxx com](#) - May 09 2022

web desi savita bhabhi bathing naked in bathroom putting finger in pussy xxx porn xvideos 2m 100 8min 1080p indian bhabhi fucking when she slept 3 8m 100 17min

**savita bhabhi hindi indian porn comics official site** - Dec 04 2021

web can t wait for this episode kilo hiyu savita bhabhi member savitabhahbi vip   



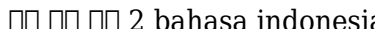
**savita bhabhi comics army** - Jul 23 2023

web savita bhabhi episode 151 the last woman on earth spiesger 5 de april de 2023 savita bhabhi episode 150 vamika s secret spiesger 25 de february de 2023

[savita bhabhi wikipedia](#) - Jan 05 2022

web savita bhabhi a film based on the character was released in 2013 by kirtu sai tamhankar plays a character based on savita bhabhi in alok rajwade s 2020 indian marathi

**savita bhabhi episode 17**  **2** - Jun 22 2023

web apr 20 2023 winter in india hindi savita bhabhi all episodes in hindi by tg anyversecomics baca komik episode 17   
 2 bahasa indonesia

[savita bhabhi photos and premium high res pictures getty](#) - Sep 13 2022

web browse 1 savita bhabhi photos and images available or start a new search to explore more photos and images browse getty images premium collection of high quality authentic

**savita bhabhi adult free porn comics** - Nov 15 2022

web savita bhabhi ep 151 the last woman on earth in indian porn comics porn comics savita bhabhi ep 150 vamika s secret in indian porn comics porn comics savita

**savita bhabhi sex videos porn lobster tube** - Aug 12 2022

web savita bhabhi hot red saree mallu aunty best hot scene hindi savita bhabhi romance video unknown xvideos no video available hd 0 31 velamma episode 113 hot and

[indian savita bhabhi xhamster](#) - Oct 14 2022

web bangladeshi mallu bhabhi indian savita bhabhi explore tons of xxx videos with sex scenes in 2023 on xhamster

[savita bhabhi indian porn comics official site](#) - Feb 18 2023

web mar 24 2023 savitabhabhi vip is the official home of your favorite porn comics of savita bhabhi or xxx apartments read indian sex cartoon in english hindi previously at

**savita bhabhi free mobile porn xxx sex videos and porno** - Mar 07 2022

web savita bhabhi free mobile porn xxx sex videos and porno movies iporntv net download savita bhabhi free mobile porn xxx videos and many more sex clips enjoy

**savita bhabhi episode 7 doctor doctor latest chapters latest** - Apr 20 2023

web latest chapter 1 savita bhabhi episode 7 doctor doctor 05 11 chap list chapter selections 1 savita bhabhi episode 7 doctor doctor free you may like more in

[savita bhabhi episodes savitabhabhi vip](#) - Feb 06 2022

web nov 4 2022 savita bhabhi is a regular indian woman in the eyes of the world but only a few lucky people know who she really is she is a woman who finds the need to explore

**savita bhabhi free download borrow and streaming internet** - Sep 25 2023

web may 28 2022 topics savita bhabhi erotica comics xxx desi sex stories collection opensource language english savita bhabhi is the first indian porn comics star who

**savita bhabhi xhamster** - Apr 08 2022

web my life hindi sex story desi indian hindi chudai video hot bhabhi romence video savita bhabhi sex video devar bhabhi sex sexkхани6261 80 8k views 02 46 real painful

[savita bhabhi xhamster](#) - Nov 03 2021

web 03 00 indian sex video of amateur savita bhabhi fucked by her man my sexy savita 800 6k views 12 54 savita bhabhi has sexy love affair hindi short film 642k views

[savita bhabhi episode 41 village festival comicless](#) - Aug 24 2023

web latest chapter 1 savita bhabhi episode 41 village festival 05 11 chap list chapter selections 1 savita bhabhi episode 41

village festival free you may like more in

*savita bhabhi episode 90 helping hands latest chapters* - Dec 16 2022

web latest chapter 1 savita bhabhi episode 90 helping hands 05 11 chap list chapter selections 1 savita bhabhi episode 90

helping hands free you may like more in