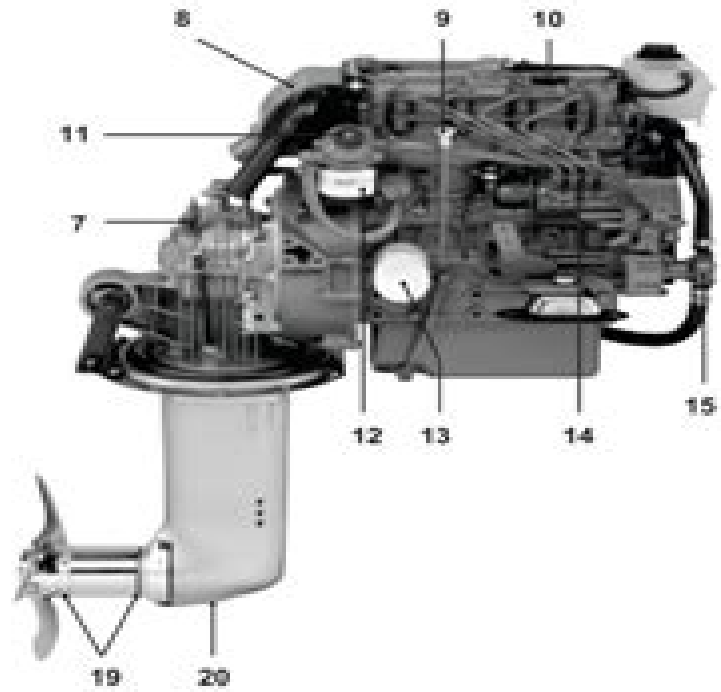


D2-40 with sailing boat drive 130S



D2-40 with sailing boat drive 130S

- 1. Coolant filler cap
- 2. Heat exchanger
- 3. Relay box with fuses
- 4. Generator
- 5. Starter motor
- 6. Oil cooler, reverse gear
- 7. Dipstick, reverse gear/S-drive

- 8. Air cleaner (ACL)/Air intake
- 9. Dipstick, engine
- 10. Oil filler cap, engine
- 11. Fuel pump
- 12. Oil filter
- 13. Fuel filter
- 14. Injection pump

- 15. Seawater pump
- 16. Cooling water intake, S-drive
- 17. Sea cock, S-drive
- 18. Folding propeller
- 19. Sacrificial anodes
- 20. Oil drain plug, S-drive

Volvo Penta Md6a Engine Manual

N N

A decorative graphic element consisting of a horizontal light blue bar with rounded ends on the left and a semi-circular red gradient on the right.

Volvo Penta Md6a Engine Manual:

Sea and Pacific Motor Boat ,1972 **VOLVO PENTA MD5A MARINE DIESEL ENGINE** Albin,2014-03-01
VOLVO PENTA MD 11C, C, MD 17C, D Volvo Penta,2014-03-01 VOLVO PENTA MD 5 Volvo Penta,2015-04-13
Volvo Penta Service and Overhaul Manual A. T. Burgess,1994 **VOLVO PENTA MD2010, MD2020, MD2030, MD2040** Volvo Penta,2014-03-02 *VOLVO Penta Workshop Manual* ,1986 *Volvo Penta MD2010, MD2020, MD2030, MD2040* N N,2012-05 Workshop Manual for Volvo Penta Marine Engines MD2010 MD2020 MD2030 MD2040 *Volvo Penta Service & Overhaul Manual* Alan T. Burgess,1976 *VOLVO Penta Workshop Manual* ,1986 Volvo Penta MD5A Marine Diesel Engine N N,2012-05 Reprint of the Workshop Manual of the well known Volvo Penta MD5A Marine Diesel Engine **Operating Manual for Volvo Penta Marine Diesel Engines MD 47, MD 67, MD 96, TMD 96** Volvo Penta (Firm). Technical Information Department,1962 *Volvo Penta (Seloc) Seloc*,2008 This manual covers the topics that a factory service manual designed for factory trained mechanics and a manufacturer owner s manual designed more by lawyers than boat owners these days covers It will take you through the basics of maintaining and repairing your motor step by step to help you understand what the factory trained mechanics already know by heart Page 1 2 Workshop Manual Volvo Penta (Firm),1970 **Volvo Penta MD 11C, C, MD 17C, D** N N,2012-05 Reprint of the official Instruction Book about VOLVO PENTA Marine Engines Type MD 11C C MD 17C and D Volvo Penta Stern Drive Shop Manual 2001-2004 Penton Staff,2000-05-24 30GS 3 0L in line 4 cylinder 135 HP 43GL 4 3L V 6 160 HP 43GI 4 3L V 6 180 HP 43GXI 4 3L V 6 210 HP 50GL 5 0L V 8 220 HP 50GI 5 0L V 8 250 HP 50GXI 5 0L V 8 270 HP 57GS 5 7L V 8 225 HP 57GS 5 7L V 8 250 HP 57GSI 5 7L V 8 280 H *Volvo-Penta Stern Drives, 1992-93* Joan Coles,Clarence W. Coles,1998-03 SELOC Marine maintenance and repair manuals offer the most comprehensive authoritative information available for outboard inboard stern drive and diesel engines as well as personal watercraft SELOC has been the leading source of how to information for the marine industry since 1974 Designed and written to serve the needs of the professional mechanic do it yourself boat enthusiast instructor and student these manuals are based on actual teardowns done by Chilton Marine s editors authors in our on site facility Providing complete coverage on everything from basic maintenance to engine overhaul every manual features Simple to follow step by step illustrated procedures Hundreds of exploded drawings photographs and tables Troubleshooting sections accurate specifications and wiring diagrams Recognized and used by technical trade schools as well as the U S military Covers all Single SP and Duo Prop DP models powered by Volvo 4 cylinder engines Over 750 illustrations **Seloc's Volvo Penta Stern Drive** Joan Coles,Clarence W. Coles,1984 **Workshop Manual** Volvo Penta (Firm),1970 *Service Mannual for Volvo-Penta Diesel Engines* Volvo Penta (Firm). Technical Publications Department,1960* Service manual for automotive version of D67C engine fitted in L485 truck

Whispering the Techniques of Language: An Mental Journey through **Volvo Penta Md6a Engine Manual**

In a digitally-driven earth where displays reign supreme and quick communication drowns out the subtleties of language, the profound strategies and psychological subtleties concealed within words often move unheard. However, nestled within the pages of **Volvo Penta Md6a Engine Manual** a captivating fictional treasure pulsating with fresh emotions, lies an exceptional quest waiting to be undertaken. Composed by an experienced wordsmith, that marvelous opus attracts visitors on an introspective journey, gently unraveling the veiled truths and profound influence resonating within the very cloth of each and every word. Within the mental depths of this touching review, we will embark upon a sincere exploration of the book is primary styles, dissect their interesting publishing model, and succumb to the effective resonance it evokes strong within the recesses of readers hearts.

<https://letsgetcooking.org.uk/About/scholarship/default.aspx/Toyota%20zz%20Fe%20Manual.pdf>

Table of Contents Volvo Penta Md6a Engine Manual

1. Understanding the eBook Volvo Penta Md6a Engine Manual
 - The Rise of Digital Reading Volvo Penta Md6a Engine Manual
 - Advantages of eBooks Over Traditional Books
2. Identifying Volvo Penta Md6a Engine Manual
 - Exploring Different Genres
 - Considering Fiction vs. Non-Fiction
 - Determining Your Reading Goals
3. Choosing the Right eBook Platform
 - Popular eBook Platforms
 - Features to Look for in an Volvo Penta Md6a Engine Manual
 - User-Friendly Interface
4. Exploring eBook Recommendations from Volvo Penta Md6a Engine Manual
 - Personalized Recommendations

- Volvo Penta Md6a Engine Manual User Reviews and Ratings
- Volvo Penta Md6a Engine Manual and Bestseller Lists
- 5. Accessing Volvo Penta Md6a Engine Manual Free and Paid eBooks
 - Volvo Penta Md6a Engine Manual Public Domain eBooks
 - Volvo Penta Md6a Engine Manual eBook Subscription Services
 - Volvo Penta Md6a Engine Manual Budget-Friendly Options
- 6. Navigating Volvo Penta Md6a Engine Manual eBook Formats
 - ePub, PDF, MOBI, and More
 - Volvo Penta Md6a Engine Manual Compatibility with Devices
 - Volvo Penta Md6a Engine Manual Enhanced eBook Features
- 7. Enhancing Your Reading Experience
 - Adjustable Fonts and Text Sizes of Volvo Penta Md6a Engine Manual
 - Highlighting and Note-Taking Volvo Penta Md6a Engine Manual
 - Interactive Elements Volvo Penta Md6a Engine Manual
- 8. Staying Engaged with Volvo Penta Md6a Engine Manual
 - Joining Online Reading Communities
 - Participating in Virtual Book Clubs
 - Following Authors and Publishers Volvo Penta Md6a Engine Manual
- 9. Balancing eBooks and Physical Books Volvo Penta Md6a Engine Manual
 - Benefits of a Digital Library
 - Creating a Diverse Reading Collection Volvo Penta Md6a Engine Manual
- 10. Overcoming Reading Challenges
 - Dealing with Digital Eye Strain
 - Minimizing Distractions
 - Managing Screen Time
- 11. Cultivating a Reading Routine Volvo Penta Md6a Engine Manual
 - Setting Reading Goals Volvo Penta Md6a Engine Manual
 - Carving Out Dedicated Reading Time
- 12. Sourcing Reliable Information of Volvo Penta Md6a Engine Manual
 - Fact-Checking eBook Content of Volvo Penta Md6a Engine Manual

- Distinguishing Credible Sources
- 13. Promoting Lifelong Learning
 - Utilizing eBooks for Skill Development
 - Exploring Educational eBooks
- 14. Embracing eBook Trends
 - Integration of Multimedia Elements
 - Interactive and Gamified eBooks

Volvo Penta Md6a Engine Manual Introduction

Free PDF Books and Manuals for Download: Unlocking Knowledge at Your Fingertips In today's fast-paced digital age, obtaining valuable knowledge has become easier than ever. Thanks to the internet, a vast array of books and manuals are now available for free download in PDF format. Whether you are a student, professional, or simply an avid reader, this treasure trove of downloadable resources offers a wealth of information, conveniently accessible anytime, anywhere. The advent of online libraries and platforms dedicated to sharing knowledge has revolutionized the way we consume information. No longer confined to physical libraries or bookstores, readers can now access an extensive collection of digital books and manuals with just a few clicks. These resources, available in PDF, Microsoft Word, and PowerPoint formats, cater to a wide range of interests, including literature, technology, science, history, and much more. One notable platform where you can explore and download free Volvo Penta Md6a Engine Manual PDF books and manuals is the internet's largest free library. Hosted online, this catalog compiles a vast assortment of documents, making it a veritable goldmine of knowledge. With its easy-to-use website interface and customizable PDF generator, this platform offers a user-friendly experience, allowing individuals to effortlessly navigate and access the information they seek. The availability of free PDF books and manuals on this platform demonstrates its commitment to democratizing education and empowering individuals with the tools needed to succeed in their chosen fields. It allows anyone, regardless of their background or financial limitations, to expand their horizons and gain insights from experts in various disciplines. One of the most significant advantages of downloading PDF books and manuals lies in their portability. Unlike physical copies, digital books can be stored and carried on a single device, such as a tablet or smartphone, saving valuable space and weight. This convenience makes it possible for readers to have their entire library at their fingertips, whether they are commuting, traveling, or simply enjoying a lazy afternoon at home. Additionally, digital files are easily searchable, enabling readers to locate specific information within seconds. With a few keystrokes, users can search for keywords, topics, or phrases, making research and finding relevant information a breeze. This efficiency saves time and effort, streamlining the learning process and allowing individuals to focus on extracting the

information they need. Furthermore, the availability of free PDF books and manuals fosters a culture of continuous learning. By removing financial barriers, more people can access educational resources and pursue lifelong learning, contributing to personal growth and professional development. This democratization of knowledge promotes intellectual curiosity and empowers individuals to become lifelong learners, promoting progress and innovation in various fields. It is worth noting that while accessing free Volvo Penta Md6a Engine Manual PDF books and manuals is convenient and cost-effective, it is vital to respect copyright laws and intellectual property rights. Platforms offering free downloads often operate within legal boundaries, ensuring that the materials they provide are either in the public domain or authorized for distribution. By adhering to copyright laws, users can enjoy the benefits of free access to knowledge while supporting the authors and publishers who make these resources available. In conclusion, the availability of Volvo Penta Md6a Engine Manual free PDF books and manuals for download has revolutionized the way we access and consume knowledge. With just a few clicks, individuals can explore a vast collection of resources across different disciplines, all free of charge. This accessibility empowers individuals to become lifelong learners, contributing to personal growth, professional development, and the advancement of society as a whole. So why not unlock a world of knowledge today? Start exploring the vast sea of free PDF books and manuals waiting to be discovered right at your fingertips.

FAQs About Volvo Penta Md6a Engine Manual Books

How do I know which eBook platform is the best for me? Finding the best eBook platform depends on your reading preferences and device compatibility. Research different platforms, read user reviews, and explore their features before making a choice. Are free eBooks of good quality? Yes, many reputable platforms offer high-quality free eBooks, including classics and public domain works. However, make sure to verify the source to ensure the eBook credibility. Can I read eBooks without an eReader? Absolutely! Most eBook platforms offer webbased readers or mobile apps that allow you to read eBooks on your computer, tablet, or smartphone. How do I avoid digital eye strain while reading eBooks? To prevent digital eye strain, take regular breaks, adjust the font size and background color, and ensure proper lighting while reading eBooks. What the advantage of interactive eBooks? Interactive eBooks incorporate multimedia elements, quizzes, and activities, enhancing the reader engagement and providing a more immersive learning experience. Volvo Penta Md6a Engine Manual is one of the best book in our library for free trial. We provide copy of Volvo Penta Md6a Engine Manual in digital format, so the resources that you find are reliable. There are also many Ebooks of related with Volvo Penta Md6a Engine Manual. Where to download Volvo Penta Md6a Engine Manual online for free? Are you looking for Volvo Penta Md6a Engine Manual PDF? This is definitely going to save you time and cash in something you should think about. If you trying to find then search around for

online. Without a doubt there are numerous these available and many of them have the freedom. However without doubt you receive whatever you purchase. An alternate way to get ideas is always to check another Volvo Penta Md6a Engine Manual. This method for see exactly what may be included and adopt these ideas to your book. This site will almost certainly help you save time and effort, money and stress. If you are looking for free books then you really should consider finding to assist you try this. Several of Volvo Penta Md6a Engine Manual are for sale to free while some are payable. If you arent sure if the books you would like to download works with for usage along with your computer, it is possible to download free trials. The free guides make it easy for someone to free access online library for download books to your device. You can get free download on free trial for lots of books categories. Our library is the biggest of these that have literally hundreds of thousands of different products categories represented. You will also see that there are specific sites catered to different product types or categories, brands or niches related with Volvo Penta Md6a Engine Manual. So depending on what exactly you are searching, you will be able to choose e books to suit your own need. Need to access completely for Campbell Biology Seventh Edition book? Access Ebook without any digging. And by having access to our ebook online or by storing it on your computer, you have convenient answers with Volvo Penta Md6a Engine Manual To get started finding Volvo Penta Md6a Engine Manual, you are right to find our website which has a comprehensive collection of books online. Our library is the biggest of these that have literally hundreds of thousands of different products represented. You will also see that there are specific sites catered to different categories or niches related with Volvo Penta Md6a Engine Manual So depending on what exactly you are searching, you will be able to choose ebook to suit your own need. Thank you for reading Volvo Penta Md6a Engine Manual. Maybe you have knowledge that, people have search numerous times for their favorite readings like this Volvo Penta Md6a Engine Manual, but end up in harmful downloads. Rather than reading a good book with a cup of coffee in the afternoon, instead they juggled with some harmful bugs inside their laptop. Volvo Penta Md6a Engine Manual is available in our book collection an online access to it is set as public so you can download it instantly. Our digital library spans in multiple locations, allowing you to get the most less latency time to download any of our books like this one. Merely said, Volvo Penta Md6a Engine Manual is universally compatible with any devices to read.

Find Volvo Penta Md6a Engine Manual :

toyota 1zz fe manual

toyota avensis d 4d repair manual

toyota 2l engine manual

toyota 3sgte 3sgte 5sfe engine full service repair manual

toyota camry automatic transmission wiring diagram

toyota corolla 1990 4afe manual

toyota caldina 1999 manual

toyota check engine light gas cap reset

toyota camry manual override button

toyota altezza manual

~~toyota corola 1990 batt charging wiring diagram~~

toyota celica liftback 2015st service manual

toyota 4a rwd engine gasket

toyota celica gearbox workshop manual

toyota axio g 2015owner manual

Volvo Penta Md6a Engine Manual :

the really easy oboe book very first solos for oboe with piano - Jan 14 2023

web jul 1 1988 the really easy oboe book very first solos for oboe with piano accompaniment paperback july 1 1988 by robert hinchliffe author 9 ratings see all formats and editions paperback 6 44 11 used from 6 44 6 new from 29 56 1 collectible from 93 00 titles

the really easy oboe book very first solos for obo download - Aug 09 2022

web oboe christmas sheet music for oboe book 4 jul 27 2022 this is a christmas sheet music book with 10 popular christmas carols each carol has two easy arrangements one for solo oboe the other for oboe and piano when playing duets the piano parts can be played on piano or electronic keyboard they are very easy to play and are arranged to

the really easy oboe book piano accompaniment sheet - Mar 16 2023

web everyday band orchestra sale orchestra string orchestra

the really easy oboe book pdf scribd - Jul 20 2023

web the really easy oboe book free download as pdf file pdf or read online for free easy pieces for oboe and piano

sheet music the really easy oboe book oboe piano duet - Nov 12 2022

web 13 50 the really easy oboe book very first solos for oboe with piano accompaniment arranged by robert hinchliffe for oboe and piano book method instruction woodwind oboe method or collection faber edition elementary published by faber music

easy level free oboe sheet music 8notes com - Jul 08 2022

web free easy level free oboe sheet music sheet music pieces to download from 8notes com

the really easy oboe book oboe piano book sheet music - Oct 23 2023

web robert hinchcliffe oboe piano book titles march of the ducks daydreaming holiday trot

the really easy oboe book very first solos for oboe with piano - Dec 13 2022

web the really easy oboe book very first solos for oboe with piano accompaniment various contributor robert hinchcliffe
composer hal leonard corporation creator 0 00

easy oboe book first abebooks - Jun 07 2022

web the really easy oboe book very first solos for oboe with piano accompaniment faber edition and a great selection of
related books art and collectibles available now at abebooks com

free oboe sheet music lessons resources 8notes com - Apr 05 2022

web piano chord chart music theory members pieces forums latest additions more resources guitar tuner guitar chord chart
piano chord chart metronome 10 pieces every oboist easy oboe opera arias compilation early blues rock songs for oboe
eastern european folk oboe trad british irish oboe easy christmas oboe

the really easy oboe book very first solos for oboe with piano - Feb 15 2023

web titles march of the ducks daydreaming holiday trot the brook mellifluous minuet nocturne spring song elizabethan
lament the barrel organ siciliana dance of the scarecrows ballad jovial jig berceuse children s waltz wistful waltz chrismtas
song comedy a winter

really easy oboe book with piano full pdf - Sep 10 2022

web really easy oboe book with piano learn to play oboe book 2 jun 07 2020 a carefully graded method that builds a sound
rhythmic sense develops well rounded musicianship and emphasizes concepts of tone production oboe art and method apr 10
2023 wind instruments oboe art and method is a complete and comprehensive guide to oboe

really easy oboe book with piano author robert - Oct 11 2022

web really easy oboe book with piano author robert hinchcliffe feb 2002 on amazon com free shipping on qualifying offers
really easy oboe book with piano author robert hinchcliffe feb 2002

the really easy oboe book very first solos for oboe piano - May 18 2023

web jul 29 1988 the really easy oboe book contains 20 imaginative little pieces specially composed for the absolute beginner
all of them with attractive piano accompaniments the pieces are arranged progressively so you can hear the step by step
improvement in your playing as well as simply enjoying the music

the really easy oboe book very first solos for oboe with piano - Sep 22 2023

web the really easy oboe book very first solos for oboe with piano accompaniment hinchcliffe robert amazon sg books

the really easy oboe book very first solos for oboe with piano - Jun 19 2023

web the really easy oboe book very first solos for oboe with piano accompaniment hinchliffe robert on amazon com au free shipping on eligible orders the really easy oboe book very first solos for oboe with piano accompaniment

[really easy oboe book with piano pdf](#) - Mar 04 2022

web my first piano book introduces young children to the piano and music making through fun activities rhymes songs and pieces the author s tried and tested progression covers note learning theory aural

[really easy oboe book with piano cyberlab sutd edu sg](#) - May 06 2022

web really easy oboe book with piano the oboe feb 22 2023 the oboe including its earlier forms the shawm and the hautboy is an instrument with a long and rich history in this book two distinguished oboist musicologists trace that history from its beginnings to the present time discussing how and why the oboe evolved what music was written

[really easy oboe book with piano sheet music plus](#) - Apr 17 2023

web shop and buy really easy oboe book with piano sheet music oboe piano sheet music book by robert hinchliffe faber music at sheet music plus hu f0571510337

[the really easy oboe book very first solos for oboe with piano](#) - Aug 21 2023

web jul 1 1988 the really easy oboe book very first solos for oboe with piano accompaniment faber edition paperback july 1 1988 by robert hinchliffe arranger 4 7 4 7 out of 5 stars 11 ratings

[management 12th edition robbins test bank 1 pdf scribd](#) - Nov 05 2022

web everything students need to know to develop their management sense and be successful fundamentals of management covers the essential concepts of management by

management 13th edition by robbins test bank issuu - Jul 01 2022

web management the essentials australia 4th edition robbins test bank full download alibabadownload com product management the essentials australia 4th edition

chapter 6 test bank 1 organizational behavior 17e - Dec 06 2022

web management 12th edition robbins test bank 1 free download as pdf file pdf text file txt or read online for free test bank

management 14e robbins coulter chapter 1 managers and - Mar 29 2022

web management 12th edition robbins test bank free download as pdf file pdf text file txt or read online for free download full file at testbankuniv eu management

robbins fundamentals of management management myths - Feb 08 2023

web self contained sections on developing management skills at the end of each chapter help instructors apply and use management concepts these 18 skills were chosen because

[test bank fundamentals of management 11th edition robbins](#) - Sep 15 2023

web fundamentals of management 11e robbins chapter 1 managers and management in today s workplace which one of the following is a common myth about the study of

management global 14th edition robbins test bank pdf - Apr 29 2022

web management 14th edition robbins test bank full download alibabadownload com product management 14th edition robbins test bank

fundamentals of management 11th edition by - Sep 03 2022

web test bank for management global edition robbins coulter isbn 13 9781292340944

management pearson - Aug 14 2023

web jan 8 2017 management home business economics management principles of management management i m a student i m an educator management 14th edition

management global 14th edition robbins test bank studocu - Jul 13 2023

web management global 14th edition robbins test bank 1 copyright 2018 pearson education ltd studocu chapter 1 exams management global 14th edition robbins

test bank for management 11th edition by robbins pdf scribd - Jun 12 2023

web eu test bank for management 11th edition by robbins management 11e robbins coulter chapter 2 understanding management s context constraints and

robbins fundamentals of management global edition 11 e - Oct 04 2022

web aug 13 2023 download complete pdf test bank for fundamentals of management 11th edition by robbins coulter de cenzo pearson gradeslab com shop gl97801

robbins mgmt11 tb01 test bank chapter 1 management 11e - Oct 16 2023

web management 11e robbins coulter chapter 1 management and organizations a great manager makes a job more enjoyable and productive answer true page ref 4

robbins management global edition 15 e pearson - Aug 02 2022

web aug 14 2023 download complete pdf test bank for management 13th edition by robbins coulter pearson gradeslab com shop gl9780133910292tb

test bank robbins text book exam name studocu - Jan 07 2023

web test bank for robbins text book for exam revision exam write if the statement is true and if the statement is false if there were no organisations there skip to document ask ai

management 12th edition robbins test bank pdf scribd - Feb 25 2022

management pearson - Mar 09 2023

web extend your professional development and meet your students where they are with free weekly digital learning now webinars attend live watch on demand or listen at your

management robbins 11th edition test bank pdf scribd - Apr 10 2023

web management robbins 11th edition test bank free download as pdf file pdf text file txt or read online for free test bank

test bank for management 15th edition robbins issuu - May 11 2023

web aug 13 2023 download the test bank for management 15th us edition by robbins coulter pearson link testbankblue com shop blue9780135581735tb

robbins management the essentials 4th edition test bank - May 31 2022

web apr 16 2019 management global 14th edition robbins test bank download as a pdf or view online for free

a companion to jorge luis borges monografías a steven boldy - Dec 27 2021

web a companion to jorge luis borges monografías a steven boldy call for proposals closed borrow if she only knew the cahills 1 by lisa jackson

a companion to jorge luis borges steven boldy google books - Oct 05 2022

web this companion has been designed for keen readers of borges whether they approach him in english orspanish within or outside a university context it takes his stories and essays of the

a companion to jorge luis borges monografías a volume - Sep 04 2022

web nov 15 2009 amazon com a companion to jorge luis borges monografías a volume 277 9781855661899 boldy steven books

the cambridge companion to jorge luis borges google books - Mar 30 2022

web dec 5 2013 jorge luis borges 1899 1986 was one of the great writers of the twentieth century and the most influential author in the spanish language of modern times he had a seminal influence on latin american literature and a lasting impact on literary fiction in many other languages however borges has been accessible in english only through a

[a companion to jorge luis borges boydell and brewer](#) - Jul 02 2022

web reviews an introduction to one of latin america s most important authors jorge luis borges is one of the key writers of the twentieth century in the context of both hispanic and world literature this companion has been designed for keen readers of borges whether they approach him in english orspanish within or outside a university context

[the cambridge companion to jorge luis borges](#) - Jan 08 2023

web 978 0 521 19339 9 the cambridge companion to jorge luis borges edited by edwin williamson companion jorge luis borges a companion to pablo neruda and the andes

[a companion to jorge luis borges on jstor](#) - Jul 14 2023

web jorge luis borges is one of the key writers of the twentieth century in the context of both hispanic and world literature this companion has been designed for front matter

[a companion to jorge luis borges monografías a abebooks](#) - Jun 13 2023

web jorge luis borges is one of the key writers of the twentieth century in the context of both hispanic and world literature this companion has been designed for keen readers of borges whether they approach him in english or spanish within or outside a university context it takes his stories and

[life and literature a companion to jorge luis borges](#) - May 12 2023

web a companion to jorge luis borges november 2009 skip to main content accessibility help we use cookies to distinguish you from other users and to provide you with a better experience on our websites close this message to accept cookies or find out how to manage your cookie settings

a companion to jorge luis borges steven boldy google books - Jun 01 2022

web jorge luis borges is one of the key writers of the twentieth century in the context of both hispanic and world literature this companion has been designed for keen readers of borges whether they approach him in english or spanish within or outside a university context it takes his stories and essays of the forties and fifties especially ficciones and

[a companion to jorge luis borges monografías a softcover](#) - Mar 10 2023

web jorge luis borges is one of the key writers of the twentieth century in the context of both hispanic and world literature this companion has been designed for keen readers of borges whether they approach him in english or spanish within or outside a university context it takes his stories and essays of the forties and fifties especially ficciones and

[a companion to jorge luis borges overdrive](#) - Dec 07 2022

web nov 15 2009 jorge luis borges is one of the key writers of the twentieth century in the context of both hispanic and world literature this companion has been designed for keen readers of borges whether they approach him in english orspanish within or outsid

a companion to jorge luis borges ghent university library - Apr 30 2022

web mar 7 2023 jorge luis borges is one of the key writers of the twentieth century in the context of both hispanic and world literature this companion has been designed for keen readers of borges whether they approach him in english orspanish within or outside a university context

the cambridge companion to jorge luis borges - Apr 11 2023

web the primary aim of this companion is to provide a more comprehensive account of borges s oeuvre and the evolution of his writing it offers critical assessments by leading scholars of the poetry of his youth and the later poetry and fiction as well

as of the canonical volumes of the middle years

a companion to jorge luis borges monografías a steven boldy - Feb 26 2022

web a companion to jorge luis borges monografías a steven boldy the passing of the armies an account of the final campaign of the army of the potomac joshua l chamberlain perla carolina de robertis tess of the d urbervilles by thomas hardy illustrated unabridged julie athletic training and sports medicine robert s behnke

a companion to jorge luis borges researchgate - Nov 06 2022

web mar 7 2023 download citation a companion to jorge luis borges an introduction to one of latin america s most important authors find read and cite all the research you need on researchgate

a companion to jorge luis borges monografías a 277 - Feb 09 2023

web abebooks com a companion to jorge luis borges monografías a 277 9781855662667 by boldy steven and a great selection of similar new used and collectible books available now at great prices a companion to jorge luis borges monografías a 277 boldy steven 9781855662667 abebooks

[a companion to jorge luis borges cambridge university press](#) - Aug 15 2023

web a companion to jorge luis borges a companion to jorge luis borges a companion to jorge luis borges search within full text get access check if you have access via personal or institutional login log in register series monografías a export citation recommend to librarian

a companion to jorge luis borges monografías a steven boldy - Jan 28 2022

web jul 21 2021 a companion to jorge luis borges monografías a steven boldy the armourer s prentices v 1 charlotte m yonge imagination dead imagine samuel beckett august wilson a literary companion mcfarland literary companions mary ellen snodgrass drugs across the spectrum raymond goldberg the age of erasmus

a companion to jorge luis borges universiteitsbibliotheek gent - Aug 03 2022

web mar 7 2023 jorge luis borges is one of the key writers of the twentieth century in the context of both hispanic and world literature this companion has been designed for keen readers of borges whether they approach him in english orspanish within or outside a university context