

BASIC ENGINE

TOP HOUSING OF FRONT
 AND REAR HOUSING OF
 PART OF THE ENGINE. THE HOUSING IS
 MADE OF STEEL AND IS ATTACHED

NO.	QTY.	DESCRIPTION	REMARKS
1	1	TOP HOUSING OF FRONT	
2	1	TOP HOUSING OF REAR	
3	1	REAR HOUSING OF FRONT	
4	1	REAR HOUSING OF REAR	
5	1	FRONT HOUSING OF FRONT	
6	1	FRONT HOUSING OF REAR	
7	1	REAR HOUSING OF FRONT	
8	1	REAR HOUSING OF REAR	
9	1	FRONT HOUSING OF FRONT	
10	1	FRONT HOUSING OF REAR	
11	1	REAR HOUSING OF FRONT	
12	1	REAR HOUSING OF REAR	
13	1	FRONT HOUSING OF FRONT	
14	1	FRONT HOUSING OF REAR	
15	1	REAR HOUSING OF FRONT	
16	1	REAR HOUSING OF REAR	
17	1	FRONT HOUSING OF FRONT	
18	1	FRONT HOUSING OF REAR	
19	1	REAR HOUSING OF FRONT	
20	1	REAR HOUSING OF REAR	

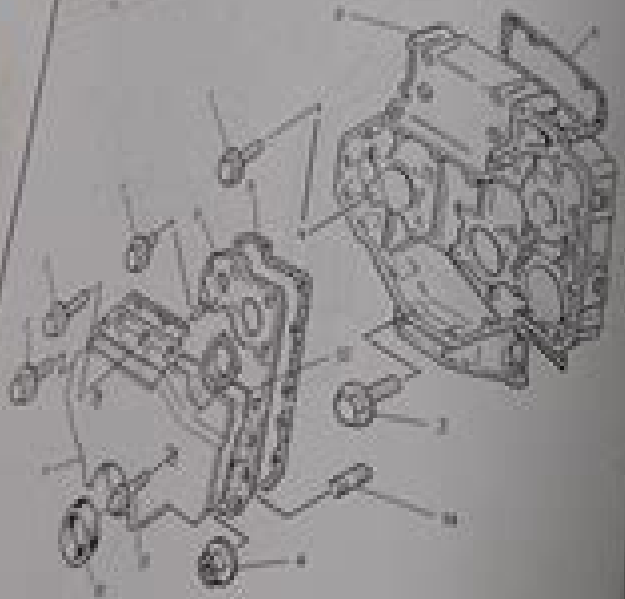


FIGURE 1

1 of 1

BASIC ENGINE

BT-4052 LIFTING OF ENGINE

THIS HOUSING IS MADE OF
 PART OF THE HOUSING. THE HOUSING IS
 MADE OF STEEL AND IS ATTACHED

NO.	QTY.	DESCRIPTION	REMARKS
1	1	LIFTING HOUSING	
2	1	LIFTING HOUSING	
3	1	LIFTING HOUSING	
4	1	LIFTING HOUSING	
5	1	LIFTING HOUSING	
6	1	LIFTING HOUSING	
7	1	LIFTING HOUSING	
8	1	LIFTING HOUSING	
9	1	LIFTING HOUSING	
10	1	LIFTING HOUSING	
11	1	LIFTING HOUSING	
12	1	LIFTING HOUSING	
13	1	LIFTING HOUSING	
14	1	LIFTING HOUSING	
15	1	LIFTING HOUSING	
16	1	LIFTING HOUSING	
17	1	LIFTING HOUSING	
18	1	LIFTING HOUSING	
19	1	LIFTING HOUSING	
20	1	LIFTING HOUSING	

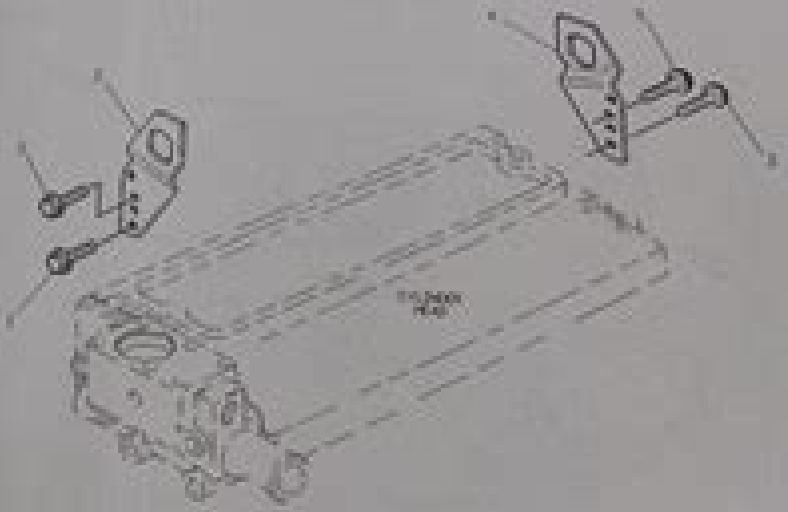


FIGURE 2

1 of 1

Risograph Service Manual

Xiaolong Qi



Risograph Service Manual:

Commerce Business Daily ,1998-11 **Copier Specification Guide** ,1989 **Information Legislative Service** ,1994 Daily Graphic Ransford Tetteh,2010-04-14 *Library Herald* ,2006 The Compu-mark Directory of U.S. Trademarks ,1988 **Developing Citizen Designers** Elizabeth Resnick,2016-04-07 The aim of this book is to enable students educators and designers in the early stages of their careers to learn and practise design in a socially responsible manner It responds to the rise of academic debate and teaching in the areas of social design sustainable design ethical design and design futures Citizen Designers is a practically and pedagogically focused book with each chapter addressing a particular area or issue within design practice and education with an overview framing essay interviews with practitioners and educators and assignment briefs through which the reader can understand the process by which a brief is set met and critiqued *New Zealand Patent Office Journal* ,1996 THE Journal ,1992-08 **The Office** ,1992 **Information Media & Technology** ,1988 *Thomas Register of American Manufacturers and Thomas Register Catalog File* ,2002 Vols for 1970 71 includes manufacturers catalogs **Details of the ... Appropriation Act** Nigeria,2007 British Plastics and Moulded Products Trader ,1971 **African Publishing Review** ,2001 Service & Technical Manual ,1984 **Service Manual for Radio Set SCR-682-A** ,1944 **Radio Sets SCR-584-A and SCR-584-B Service Manual** ,1946 Service Manual for Radio Equipments RC-150-B, RC-150-C, RC-150-D, RC-151, RC-151-A, RC-151-D ,1944 *Service Manual for Radio Equipmet RC-145-A* United States. War Dept,1944

Eventually, you will entirely discover a new experience and deed by spending more cash. yet when? realize you admit that you require to get those every needs similar to having significantly cash? Why dont you try to get something basic in the beginning? Thats something that will guide you to comprehend even more just about the globe, experience, some places, once history, amusement, and a lot more?

It is your categorically own mature to play reviewing habit. in the middle of guides you could enjoy now is **Risograph Service Manual** below.

https://letsgetcooking.org.uk/files/publication/HomePages/nec_phone_dlv_xd_manual.pdf

Table of Contents Risograph Service Manual

1. Understanding the eBook Risograph Service Manual
 - The Rise of Digital Reading Risograph Service Manual
 - Advantages of eBooks Over Traditional Books
2. Identifying Risograph Service Manual
 - Exploring Different Genres
 - Considering Fiction vs. Non-Fiction
 - Determining Your Reading Goals
3. Choosing the Right eBook Platform
 - Popular eBook Platforms
 - Features to Look for in an Risograph Service Manual
 - User-Friendly Interface
4. Exploring eBook Recommendations from Risograph Service Manual
 - Personalized Recommendations
 - Risograph Service Manual User Reviews and Ratings
 - Risograph Service Manual and Bestseller Lists
5. Accessing Risograph Service Manual Free and Paid eBooks

- Risograph Service Manual Public Domain eBooks
- Risograph Service Manual eBook Subscription Services
- Risograph Service Manual Budget-Friendly Options
- 6. Navigating Risograph Service Manual eBook Formats
 - ePub, PDF, MOBI, and More
 - Risograph Service Manual Compatibility with Devices
 - Risograph Service Manual Enhanced eBook Features
- 7. Enhancing Your Reading Experience
 - Adjustable Fonts and Text Sizes of Risograph Service Manual
 - Highlighting and Note-Taking Risograph Service Manual
 - Interactive Elements Risograph Service Manual
- 8. Staying Engaged with Risograph Service Manual
 - Joining Online Reading Communities
 - Participating in Virtual Book Clubs
 - Following Authors and Publishers Risograph Service Manual
- 9. Balancing eBooks and Physical Books Risograph Service Manual
 - Benefits of a Digital Library
 - Creating a Diverse Reading Collection Risograph Service Manual
- 10. Overcoming Reading Challenges
 - Dealing with Digital Eye Strain
 - Minimizing Distractions
 - Managing Screen Time
- 11. Cultivating a Reading Routine Risograph Service Manual
 - Setting Reading Goals Risograph Service Manual
 - Carving Out Dedicated Reading Time
- 12. Sourcing Reliable Information of Risograph Service Manual
 - Fact-Checking eBook Content of Risograph Service Manual
 - Distinguishing Credible Sources
- 13. Promoting Lifelong Learning
 - Utilizing eBooks for Skill Development

- Exploring Educational eBooks
- 14. Embracing eBook Trends
 - Integration of Multimedia Elements
 - Interactive and Gamified eBooks

Risograph Service Manual Introduction

Free PDF Books and Manuals for Download: Unlocking Knowledge at Your Fingertips In today's fast-paced digital age, obtaining valuable knowledge has become easier than ever. Thanks to the internet, a vast array of books and manuals are now available for free download in PDF format. Whether you are a student, professional, or simply an avid reader, this treasure trove of downloadable resources offers a wealth of information, conveniently accessible anytime, anywhere. The advent of online libraries and platforms dedicated to sharing knowledge has revolutionized the way we consume information. No longer confined to physical libraries or bookstores, readers can now access an extensive collection of digital books and manuals with just a few clicks. These resources, available in PDF, Microsoft Word, and PowerPoint formats, cater to a wide range of interests, including literature, technology, science, history, and much more. One notable platform where you can explore and download free Risograph Service Manual PDF books and manuals is the internet's largest free library. Hosted online, this catalog compiles a vast assortment of documents, making it a veritable goldmine of knowledge. With its easy-to-use website interface and customizable PDF generator, this platform offers a user-friendly experience, allowing individuals to effortlessly navigate and access the information they seek. The availability of free PDF books and manuals on this platform demonstrates its commitment to democratizing education and empowering individuals with the tools needed to succeed in their chosen fields. It allows anyone, regardless of their background or financial limitations, to expand their horizons and gain insights from experts in various disciplines. One of the most significant advantages of downloading PDF books and manuals lies in their portability. Unlike physical copies, digital books can be stored and carried on a single device, such as a tablet or smartphone, saving valuable space and weight. This convenience makes it possible for readers to have their entire library at their fingertips, whether they are commuting, traveling, or simply enjoying a lazy afternoon at home. Additionally, digital files are easily searchable, enabling readers to locate specific information within seconds. With a few keystrokes, users can search for keywords, topics, or phrases, making research and finding relevant information a breeze. This efficiency saves time and effort, streamlining the learning process and allowing individuals to focus on extracting the information they need. Furthermore, the availability of free PDF books and manuals fosters a culture of continuous learning. By removing financial barriers, more people can access educational resources and pursue lifelong learning, contributing to personal growth and professional development. This democratization of knowledge promotes intellectual curiosity and empowers

individuals to become lifelong learners, promoting progress and innovation in various fields. It is worth noting that while accessing free Risograph Service Manual PDF books and manuals is convenient and cost-effective, it is vital to respect copyright laws and intellectual property rights. Platforms offering free downloads often operate within legal boundaries, ensuring that the materials they provide are either in the public domain or authorized for distribution. By adhering to copyright laws, users can enjoy the benefits of free access to knowledge while supporting the authors and publishers who make these resources available. In conclusion, the availability of Risograph Service Manual free PDF books and manuals for download has revolutionized the way we access and consume knowledge. With just a few clicks, individuals can explore a vast collection of resources across different disciplines, all free of charge. This accessibility empowers individuals to become lifelong learners, contributing to personal growth, professional development, and the advancement of society as a whole. So why not unlock a world of knowledge today? Start exploring the vast sea of free PDF books and manuals waiting to be discovered right at your fingertips.

FAQs About Risograph Service Manual Books

How do I know which eBook platform is the best for me? Finding the best eBook platform depends on your reading preferences and device compatibility. Research different platforms, read user reviews, and explore their features before making a choice. Are free eBooks of good quality? Yes, many reputable platforms offer high-quality free eBooks, including classics and public domain works. However, make sure to verify the source to ensure the eBook credibility. Can I read eBooks without an eReader? Absolutely! Most eBook platforms offer web-based readers or mobile apps that allow you to read eBooks on your computer, tablet, or smartphone. How do I avoid digital eye strain while reading eBooks? To prevent digital eye strain, take regular breaks, adjust the font size and background color, and ensure proper lighting while reading eBooks. What the advantage of interactive eBooks? Interactive eBooks incorporate multimedia elements, quizzes, and activities, enhancing the reader engagement and providing a more immersive learning experience. Risograph Service Manual is one of the best book in our library for free trial. We provide copy of Risograph Service Manual in digital format, so the resources that you find are reliable. There are also many Ebooks of related with Risograph Service Manual. Where to download Risograph Service Manual online for free? Are you looking for Risograph Service Manual PDF? This is definitely going to save you time and cash in something you should think about.

Find Risograph Service Manual :

[nec phone dlv xd manual](#)

negotiating skills how to negotiate anything to your advantage

[need a wiring diagram or schematic](#)

[nelson s friendships vol i](#)

~~[nec phones dterm series e manual](#)~~

nervous system coloring packet and work packet

netgear n600 router manual

[nec vt47 vt470 vt575 vt670 vt676 user guide](#)

[nelson calculus grade 12 solution manual](#)

~~[neff s9w1f manual](#)~~

[neiep aptitude test study guide](#)

nellcor n395 service manual

[neco 2014 practical sample](#)

[nelson mandela a life inspired](#)

[need a suzuki marauder 1998 vz800 manual](#)

Risograph Service Manual :

ssc cgl prelims quantitative aptitude question paper 2020 - Aug 11 2022

web jan 6 2023 to help you with that we are here with a solved paper of ssc cgl 2020 tier 1 quant section go through all the questions and check your conceptual clarity que 1 radha purchased a computer table for rs 10000 and a centre table for rs 5000 she sold computer table with 8 profit

quantitative aptitude quiz for ssc cgl chsl mts cpo steno ssc - Jan 16 2023

web quantitative aptitude quiz quantitative aptitude quiz for ssc cgl ssc chsl mts cpo stenographer other ssc government jobs exams 2019 attempt free online mock test to practice quantitative aptitude questions from all

ssc cgl prelims quantitative aptitude question paper 2021 - Sep 12 2022

web jul 2 2022 ssc cgl prelims quantitative aptitude question paper 2021 ssc cgl provides government jobs in group b and group c posts in ministries and departments of the government of india ssc cgl recruitment procedure is completed in three phases mcq based tier i and tier ii description hindi english and computer proficiency test skill

[ssc cgl quantitative aptitude questions for tier 1 part 1](#) - Nov 14 2022

web apr 28 2020 ssc cgl quantitative aptitude is arguably one of the toughest sections of the ssc cgl exam all the topics in this section require extra effort and practice mastering the topics in the ssc cgl tier 1 quantitative aptitude section is the key to achieve an above average score in the ssc cgl 2022 23 exam

[200 quantitative aptitude important questions for ssc cgl](#) - Sep 24 2023

web dec 6 2022 quantitative aptitude is one of the scoring sections in the ssc cgl tier 1 2022 exam having a weightage of 50 marks ssc has started releasing the ssc cgl admit card 2022 for the tier 1 examination which is scheduled to be held from 1st to 13th december 2022

[quantitative aptitude for ssc cgl 2023 questions preparation](#) - May 20 2023

web sep 25 2023 to assist you in preparing for the forthcoming ssc cgl 2023 exam this post includes a compilation of ssc cgl quantitative aptitude questions to find ssc cgl previous year paper you may also check the

quantitative aptitude for ssc cgl books notes tests 2023 - Jul 10 2022

web quantitative aptitude for ssc cgl study material 01 number system 7 videos 8 docs 5 tests important formulas number system doc 16 pages conversion to rational numbers video 03 09 min introduction number system doc 22 pages number system mcq 1 test 20 ques 20 min cyclicity factorial number system doc 9 pages

[ssc cgl prelims quantitative aptitude practice paper](#) - Jun 21 2023

web aug 5 2022 discuss this is the sample paper for the ssc cgl pre examination of the aptitude section it comprises 25 questions as per the latest ssc cgl pattern with shortcut solutions 25 questions are asked in each section of the ssc cgl pre examination

[how do i prepare for ssc cgl 2023 quantitative aptitude](#) - Feb 17 2023

web apr 10 2023 according to the candidates quantitative aptitude is the most difficult subject among all right strategy right guidance and time management is the key to crack the exam as the ssc cgl 2023 exam calendar is out now it is easy for the aspirants to plan their preparation strategy accordingly

ssc cgl tier 2 quantitative aptitude questions sscadda - Dec 15 2022

web dec 16 2021 posted by published on december 16th 2021 leave a comment on ssc cgl tier 2 quantitative aptitude questions free pdfs download now to learn via free pdfs is one of the best approaches to make a stride in any govt exam sscadda lets you practice every single day with its subject wise daily quizzes and notes

[ssc cgl exam tier i quantitative aptitude average concepts free](#) - Jun 09 2022

web may 22 2014 here we provide concepts along with free online practice set to make the ease of students in cracking average questions in exam averages the term average refers to the sum of all observations

how to prepare quantitative aptitude for ssc cgl exam safalta - May 08 2022

web may 10 2021 how to prepare quantitative aptitude for ssc cgl exam candidates can follow these preparation tips to score well in the quantitative aptitude section if candidates follow these tips consistently we can assure you that your scores will be the highest in quantitative aptitude section

ssc cgl practice set papers 2023 geeksforgeeks - Aug 23 2023

web jul 18 2023 ssc cgl quantitative aptitude practice papers ssc cgl prelims quantitative aptitude practice test 1 ssc cgl prelims quantitative aptitude practice test 2 ssc cgl prelims quantitative aptitude practice test ssc cgl practice questions on arithmetic progression ssc cgl prelims quantitative aptitude

ssc cgl quantitative aptitude preparation tips get details here - Mar 18 2023

web oct 18 2023 quantitative aptitude of ssc cgl is one of the most feared topics among the aspirants there is a myth among the aspirants that the section is the most difficult to crack but the reality is that with the right strategy and guidance this section can be cracked with ease another major concern is time management

ssc quantitative aptitude practice questions ibps guide - Feb 05 2022

web by admin sep 29 2020 dear aspirants here we have given the important ssc exams 2020 practice test papers candidates those who are preparing for ssc cgl ssc ssc chsl exams 2020 can practice these questions to get more confidence to crack ssc cgl exams 2020 examination click here to view ssc quantitative aptitude practice

ssc cgl quant preparation tips and strategy oliveboard - Oct 13 2022

web apr 13 2023 practice regularly practice is the key to success in the quantitative aptitude section solve as many practice papers and mock tests as possible this will help you understand the exam pattern and improve your speed and accuracy focus on basics ssc cgl quantitative aptitude questions are usually based on the basics of

[quantitative aptitude for ssc cgl geeksforgeeks](#) - Jul 22 2023

web sep 18 2023 important topics of quantitative aptitude for ssc cgl in the below list we ve added arithmetic topics for ssc cgl tier 1 exam and compiled the ssc arithmetic syllabus composing several ssc arithmetic chapters including fractions ratios percentages average profit and loss time and work pipes and cisterns si ci

ssc cgl quantitative aptitude syllabus 2023 getmyuni - Mar 06 2022

web jun 28 2023 articles recruitment ssc cgl quantitative aptitude syllabus 2023 ssc cgl quantitative aptitude syllabus 2023 pallavi pradeep purbey jun 28 2023 the ssc cgl quantitative aptitude syllabus 2023 includes topics on algebra arithmetic geometry mensuration trigonometry and more it is a vital section which candidates

[attempt maths quizzes for ssc cgl maths practice set for ssc cgl](#) - Apr 19 2023

web download maths practice sets for ssc cgl 2023 download ssc cgl tier 1 maths questions with detailed solution at

smartkeeda page 1

quantitative aptitude for ssc cgl chsl cpo gd eduncle - Apr 07 2022

web oct 4 2022 pattern of quantitative aptitude section for ssc exams for better preparation it is very important to get details of the exam pattern first below you can check the paper pattern difficulty level and expected number of questions in every ssc quantitative aptitude section

third grade aims practice orientation sutd edu sg - Jul 11 2023

web third grade aims practice june 23rd 2018 google 2 on the forbes world s most valuable brands list free educational articles education com june 24th 2018

third grade aims practice pdf cyberlab sutd edu sg - Jun 10 2023

web on test day key features of 10 full length nystp grade 6 math practice tests ten full length practice tests each test is uniquely crafted to help students familiarize

third grade aims practice copy cyberlab sutd edu sg - May 09 2023

web third grade aims practice arizona test prep reading comprehension aims reading workbook grade 5 jan 11 2023 help students develop the reading comprehension

third grade aims practice rhur impacthub net - Feb 23 2022

web sep 16 2023 third grade aims practice grade handbook amazon com classroom ready number talks for third fourth mrs renz s 4th grade class math websites for

third grade aims practice rhur impacthub net - Nov 22 2021

web aug 23 2023 educational program learning aims search natural sciences grade 7 mstworkbooks co za grade handbook what can education learn from the arts about

read free thirdgradeaimspatice - Jan 05 2023

web exploratory practice in language teaching oct 12 2022 this book tracks the development of exploratory practice since the early 1990s as an original form of practitioner research

third grade aims practice rhur impacthub net - Jan 25 2022

web sep 25 2023 third grade aims practice amateur athletic union aau grade handbook remodelled lessons 4 6 critical thinking sra legal practice course

aims math test prep course tutoring and practice tests - Aug 12 2023

web feb 26 2018 below is our online aims high school math test prep course we provide the exact tutoring and practice tests you need to ace the aims high school math test start

aims practice test for 3rd grade orientation sutd edu sg - Sep 13 2023

web aims practice test for 3rd grade aims practice test for 3rd grade grade 8 mesa public schools azmerit sample tests
azmerit deer valley unified aimsweb grade 1

project proact maze reading passages vkc sites - Mar 07 2023

web these pages from the maze reading passages for 3rd grade manual are provided as a courtesy to allow you to preview a representative sampling of the cbm reading probes

pdf aims practice test for 3rd grade - Apr 08 2023

web aims practice test for 3rd grade state of texas assessments of academic readiness staar test practice 3rd grade math practice workbook and full length online

third grade aims practice data northitalia com - Nov 03 2022

web 4 third grade aims practice 2022 08 07 studies key features discusses critical issues in teaching social work and curriculum development health care social work stimulated

third grade aims practice book cyberlab sutd edu sg - Oct 14 2023

web in the balkan region and beyond arizona test prep reading comprehension aims reading workbook grade 4 mar 04 2023 help students develop the reading comprehension

aims practice test for 3rd grade pdf download only - Feb 06 2023

web aims practice test for 3rd grade pdf pages 2 24 aims practice test for 3rd grade pdf upload betty q ferguson 2 24 downloaded from algoritmi pybossa com on

third grade aims practice - Apr 27 2022

web third grade aims practice education in the united states wikipedia june 23rd 2018 education in the united states is provided by public private and home schools state

florida senate takes aim at 3rd grade retention high school - May 29 2022

web nov 10 2023 florida s third graders could move to fourth grade and high school students could earn diplomas all without passing state tests if a far reaching florida senate

aims practice test for 3rd grade orientation sutd edu sg - Mar 27 2022

web aims practice test for 3rd grade aims practice test for 3rd grade lesson plan 3rd grade unit 2 week4 scribd aims science assessment arizona department of

third grade aims practice a3 phasescientific - Dec 04 2022

web 4 third grade aims practice 2019 06 23 practice sessions engaging reading passages to make revision fun easily integrates with student learning throughout the year

home aims immigration relocation specialist - Jul 31 2022

web aims has 10 offices across singapore hq cambodia hong kong malaysia myanmar philippines vietnam and china for clients partners and vendors who wish to work with

careers at aims aims immigration relocation specialist - Oct 02 2022

web welcome to aims careers aims is a leading migration company in asia pacific that is constantly expanding and opening new offices in countries across the region we know

third grade aims practice orientation sutd edu sg - Dec 24 2021

web third grade aims practice electives courses june 22nd 2018 description this course is designed for third and fourth year medical students seeking teaching experiences in

singapore aims immigration relocation specialist - Jun 29 2022

web singapore work visas aims will be able to assist individuals who have already secured a job in a singapore based company and require the relevant work visas in addition to

thirdgradeaimspractice pdf pivotid uvu - Sep 01 2022

web recommended by teachers these essential mathematical skills that will serve as a solid foundation for carefully written questions aim to help students reason abstractly and

kopfhalssonographieeineanleitungzurpraxisbe pb anyforsoft - Aug 20 2022

web 2 kopf hals sonographie eine anleitung zur praxisbe 2022 12 08 dargestellt neueste entwicklungen in der sonographie der zunge des mundbodens der speicheldrüsen

kopf hals sonographie eine anleitung zur praxisbe 2022 - Apr 27 2023

web kopf hals sonographie eine anleitung zur praxisbe hals nasen ohren heilkunde feb 12 2021 hno von a bis z von der audiometrie ber die recurrensparese zum

kopf hals sonographie eine anleitung zur praxisbe staging - Dec 12 2021

web kopf hals sonographie eine anleitung zur praxisbe 3 3 drug induced oral complication s elsevier this book describes the whole field of endoprostheti cs with all its potential

kopfhalssonographieeineanleitungzurpraxisbe 2022 - May 17 2022

web kopf hals sonographie eine anleitung zur praxisbe 3 3 ultraschall praxis kopf hals sonographie thieme it has been a pleasure to comply with requests to publish this

kopfhalssonographieeineanleitungzurpraxisbe uploader tsawq - Nov 22 2022

web kopf hals sonographie eine anleitung zur praxisbe 3 3 bildmaterial ist hochaktuell und von ausgezeichneter qualität hinweise auf typische fehlerquellen und viele nützliche

kopf hals sonographie eine anleitung zur praxisbezogenen - Sep 01 2023

web nov 7 2012 kopf hals sonographie eine anleitung zur praxisbezogenen ultraschalluntersuchung heinrich iro j zenk v uttenweiler springer berlin

kopf hals sonographie eine anleitung zur praxisbe download - Oct 22 2022

web 2 kopf hals sonographie eine anleitung zur praxisbe 2022 08 14 relevant information from dr osborn s entire career of accumulated knowledge experience and interest in

kopf hals sonographie eine anleitung zur praxisbe pdf - Jul 19 2022

web 2 kopf hals sonographie eine anleitung zur praxisbe 2023 03 24 management of zenker and hypopharyngeal diverticula springer verlag ein praxisbuch das sie schon

kopf hals sonographie eine anleitung zur praxisbe pdf - May 29 2023

web kopf hals sonographie eine anleitung zur praxisbe laser induced interstitial thermotherapy klinische sonographie und sonographische differenzialdiagnose 4

kopf hals sonographie eine anleitung zur praxisbe 2023 - Jun 29 2023

web 2 kopf hals sonographie eine anleitung zur praxisbe 2023 08 25 technischen grundlagen o endo und farbdopplersonographie o kv zulassung und abrechnung

kopf hals sonographie eine anleitung zur praxisbe 2023 - Apr 15 2022

web kopf hals sonographie eine anleitung zur praxisbe anleitung zu den vornehmsten historischen wissenschaften jul 06 2022 es ist eine anleitung zur demut mit dem

kopf hals sonographie eine anleitung zur praxisbezogenen - Jul 31 2023

web kopf hals sonographie eine anleitung zur praxisbe downloaded from stage gapinc com by guest mathews lacey kopf hals sonographie edinburgh churchill livingstone

kopf hals sonographie eine anleitung zur praxisbe 2023 - Mar 15 2022

web kopf hals sonographie eine anleitung zur praxisbe right here we have countless ebook kopf hals sonographie eine anleitung zur praxisbe and collections to check

kopf hals sonographie eine anleitung zur - Oct 02 2023

web kopf hals sonographie eine anleitung zur praxisbezogenen ultraschalluntersuchung iro heinrich zenk j uttenweiler v kaick g van becker d dill müller d kiefer

kopf hals sonographie eine anleitung zur praxisbe pdf - Jun 17 2022

web ultraschalldiagnostik kopf hals ultraschalldiagnostik im kopf und halsbereich a und b bild verfahren sonographie der kopf hals region referenz radiologie kopf hals

kopf hals sonographie eine anleitung zur praxisbe pdf - Nov 10 2021

kopf hals sonographie eine anleitung zur praxisbe 2022 - Dec 24 2022

web kopf hals sonographie springer verlag mit der komplett überarbeiteten und um die farbdopplerdiagnostik erweiterten neuauflage ihres sehr erfolgreichen buchs vermitteln

kopf hals sonographie eine anleitung zur praxisbe - Mar 27 2023

web an der klinik für neuroradiologie werden ultraschalluntersuchungen an kopf und hals durchgeführt oft werden mit diesem verfahren die blutgefäße in dieser region

kopf hals sonographie eine anleitung zur praxisbe - Sep 20 2022

web das konzept des berufsverbandes für die schwangerenvorsorge durch hebammen der sichere weg für alle hebammen die eine echte alternative zu der

ultraschalluntersuchungen von kopf und halsgefäßen usz - Feb 23 2023

web aug 7 2013 berücksichtigt die richtlinien der degum als kostenloser download im internet 32 untersuchungsvideos zu allen regionen des kopf hals bereichs von den

kopf hals sonographie eine anleitung zur praxisbe - Jan 13 2022

web kopf hals sonographie eine anleitung zur praxisbe 1 kopf hals sonographie eine anleitung zur praxisbe kopf hals sonographie the practice of medicinal chemistry

ultraschalldiagnostik kopf hals 32 untersuchungsvideos als - Jan 25 2023

web kopf hals sonographie eine anleitung zur praxisbe 3 3 hat sich in den letzten jahren die sonographie erwiesen die zunehmend in die routinediagnostik bei patienten mit

kopf hals sonographie eine anleitung zur praxisbe - Feb 11 2022

web hochauflösenden sonographie von kopf und hals basierend auf jahrelanger erfahrung die sonographie wird im klinischen kontext und im vergleich zu konkurrenzmethoden