**Install**

1. Connect the crankshaft sensor assembly onto front cover dowel pin and install, but do not fully tighten attaching studs.
2. Loosen sensor bracket bolt to allow sensor to move in mounting bracket.
3. Install sensor, it may require a sensor adjusting tool to help achieve the correct air gap. Tighten sensor bracket to front cover attaching studs to specification.
4. Move sensor in or out so that vanes are in the correct position with sufficient air gap, fit wiring connector. Tighten sensor clamping bolt to specification.
5. Check that the sensor and vanes do not make any contact, if contact is made because of damage to any component, replace that component.
6. Install drive belt and earth cable, test drive vehicle.

V8 IGNITION**TIMING ADJUSTMENT****IMPORTANT**

The initial timing adjustment of the distributor must be correct for the ECM to give the correct adjustment to the ignition timing while the engine is running.

INITIAL TIMING

1. With the engine idling at normal operating temperature, earth the ALDL test terminal.
2. Check the timing with timing light to ensure that the timing is at specified timing setting.
Specified Timing: 10 degrees BTDC
3. If timing is not correct, loosen the distributor bolt to adjust. Turn distributor to achieve specified timing.
4. Tighten the distributor bolt and recheck timing.
5. Remove the earth wire connected to ALDL terminal.

CHECK EST IGNITION TIMING

Electronic Spark Timing (EST) spark advance is adjusted by the ECM (electronic control module) to 10

degrees. To carry out this test the ECM must be in diagnostic mode, that is the test terminal on the ALDL carbed. If the engine is operating at approximately 1750

ECM (electronic control module)
Located behind left side front kick panel



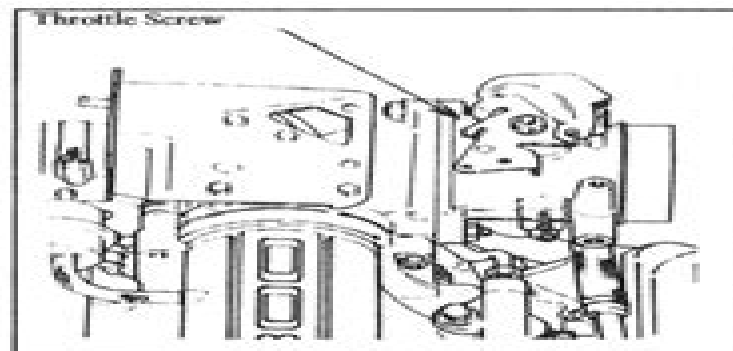
Assembly Line Diagnostic Link (ALDL)



ALDL diagnostic "test" terminal - White and Black wire RPM and the ALDL terminal is earthed the RPM should decrease.

THROTTLE ADJUSTMENTS**Throttle Stop Screw**

The throttle stop screw should never be adjusted under normal conditions, only adjust if damaged due to an accident, changing over of throttle plate assembly or diagnostic code procedure.



Vr Commodore Repair Manual

ML Morrison



Vr Commodore Repair Manual:

Commodore 1993-1997 Ellery Publications,1996 Australian National Bibliography ,1993 **Commodore/Lexcen 1993-1997** Ellery Publications,Max Ellery,1998-04-01 Commodore/Lexcen VN VP VR, V6 V8 Ellery Publications,Max Ellery,1996 Includes instructions for owners and enthusiasts comprehensive and thorough guide to all aspects of restoration maintenance and mechanical repair work for Holden Commodore and Toyota Lexcen **Cumulated Index to the Books** ,1999 **Holden Commodore, Calais, Statesman and Caprice VR Series** ,1993 Australian Books in Print 1999 K G Saur Books,1999-04 Excellent coverage essential to worldwide bibliographic coverage American Reference Books Annual This comprehensive reference provides current finding ordering information on more than 123 000 in print books published in Australia You ll also find brief profiles of more than 12 000 publishers distributors whose titles are represented as well as information on trade associations local agents of overseas publishers literary awards more From Thorpe *Holden Commodore and Toyota Lexcen Automotive Repair Manual* Tim Imhoff,John Harold Haynes,2006-01-01 Holden Commodore Toyota Lexcen Series VN VP VQ VR VS Sedan Wagon Utility with 3 8L V6 and 5 0L V8 engines Also includes Series VS thru 1998 Does not include information specific to LPG models **Popular Mechanics** ,1985-06 Popular Mechanics inspires instructs and influences readers to help them master the modern world Whether it s practical DIY home improvement tips gadgets and digital technology information on the newest cars or the latest breakthroughs in science PM is the ultimate guide to our high tech lifestyle **Commodore VR VS, V6 &** Max Ellery,1996 Network World ,2000-07-03 For more than 20 years Network World has been the premier provider of information intelligence and insight for network and IT executives responsible for the digital nervous systems of large organizations Readers are responsible for designing implementing and managing the voice data and video systems their companies use to support everything from business critical applications to employee collaboration and electronic commerce **British Books in Print** ,1979 **American Book Publishing Record Cumulative, 1876-1949** R.R. Bowker Company. Department of Bibliography,1980 **InfoWorld** ,2000-07-03 InfoWorld is targeted to Senior IT professionals Content is segmented into Channels and Topic Centers InfoWorld also celebrates people companies and projects Cumulated Index Medicus ,1999 **Excel 1.5 Litre 1990-1994** Universal Publishers,1996 **Holden Commodore, Calais, Statesman and Caprice: Power management V8 engine** ,1995 **Army and Navy Register** ,1929 **Books in Print Supplement** ,1985 **Electronics World** ,1999

Uncover the mysteries within Explore with is enigmatic creation, Discover the Intrigue in **Vr Commodore Repair Manual** . This downloadable ebook, shrouded in suspense, is available in a PDF format (*). Dive into a world of uncertainty and anticipation. Download now to unravel the secrets hidden within the pages.

<https://letsgetcooking.org.uk/About/detail/fetch.php/operations%20management%20stevenson%2010th%20edition%20slides.pdf>

Table of Contents Vr Commodore Repair Manual

1. Understanding the eBook Vr Commodore Repair Manual
 - The Rise of Digital Reading Vr Commodore Repair Manual
 - Advantages of eBooks Over Traditional Books
2. Identifying Vr Commodore Repair Manual
 - Exploring Different Genres
 - Considering Fiction vs. Non-Fiction
 - Determining Your Reading Goals
3. Choosing the Right eBook Platform
 - Popular eBook Platforms
 - Features to Look for in an Vr Commodore Repair Manual
 - User-Friendly Interface
4. Exploring eBook Recommendations from Vr Commodore Repair Manual
 - Personalized Recommendations
 - Vr Commodore Repair Manual User Reviews and Ratings
 - Vr Commodore Repair Manual and Bestseller Lists
5. Accessing Vr Commodore Repair Manual Free and Paid eBooks
 - Vr Commodore Repair Manual Public Domain eBooks
 - Vr Commodore Repair Manual eBook Subscription Services
 - Vr Commodore Repair Manual Budget-Friendly Options

6. Navigating Vr Commodore Repair Manual eBook Formats
 - ePub, PDF, MOBI, and More
 - Vr Commodore Repair Manual Compatibility with Devices
 - Vr Commodore Repair Manual Enhanced eBook Features
7. Enhancing Your Reading Experience
 - Adjustable Fonts and Text Sizes of Vr Commodore Repair Manual
 - Highlighting and Note-Taking Vr Commodore Repair Manual
 - Interactive Elements Vr Commodore Repair Manual
8. Staying Engaged with Vr Commodore Repair Manual
 - Joining Online Reading Communities
 - Participating in Virtual Book Clubs
 - Following Authors and Publishers Vr Commodore Repair Manual
9. Balancing eBooks and Physical Books Vr Commodore Repair Manual
 - Benefits of a Digital Library
 - Creating a Diverse Reading Collection Vr Commodore Repair Manual
10. Overcoming Reading Challenges
 - Dealing with Digital Eye Strain
 - Minimizing Distractions
 - Managing Screen Time
11. Cultivating a Reading Routine Vr Commodore Repair Manual
 - Setting Reading Goals Vr Commodore Repair Manual
 - Carving Out Dedicated Reading Time
12. Sourcing Reliable Information of Vr Commodore Repair Manual
 - Fact-Checking eBook Content of Vr Commodore Repair Manual
 - Distinguishing Credible Sources
13. Promoting Lifelong Learning
 - Utilizing eBooks for Skill Development
 - Exploring Educational eBooks
14. Embracing eBook Trends
 - Integration of Multimedia Elements

- Interactive and Gamified eBooks

Vr Commodore Repair Manual Introduction

In the digital age, access to information has become easier than ever before. The ability to download Vr Commodore Repair Manual has revolutionized the way we consume written content. Whether you are a student looking for course material, an avid reader searching for your next favorite book, or a professional seeking research papers, the option to download Vr Commodore Repair Manual has opened up a world of possibilities. Downloading Vr Commodore Repair Manual provides numerous advantages over physical copies of books and documents. Firstly, it is incredibly convenient. Gone are the days of carrying around heavy textbooks or bulky folders filled with papers. With the click of a button, you can gain immediate access to valuable resources on any device. This convenience allows for efficient studying, researching, and reading on the go. Moreover, the cost-effective nature of downloading Vr Commodore Repair Manual has democratized knowledge. Traditional books and academic journals can be expensive, making it difficult for individuals with limited financial resources to access information. By offering free PDF downloads, publishers and authors are enabling a wider audience to benefit from their work. This inclusivity promotes equal opportunities for learning and personal growth. There are numerous websites and platforms where individuals can download Vr Commodore Repair Manual. These websites range from academic databases offering research papers and journals to online libraries with an expansive collection of books from various genres. Many authors and publishers also upload their work to specific websites, granting readers access to their content without any charge. These platforms not only provide access to existing literature but also serve as an excellent platform for undiscovered authors to share their work with the world. However, it is essential to be cautious while downloading Vr Commodore Repair Manual. Some websites may offer pirated or illegally obtained copies of copyrighted material. Engaging in such activities not only violates copyright laws but also undermines the efforts of authors, publishers, and researchers. To ensure ethical downloading, it is advisable to utilize reputable websites that prioritize the legal distribution of content. When downloading Vr Commodore Repair Manual, users should also consider the potential security risks associated with online platforms. Malicious actors may exploit vulnerabilities in unprotected websites to distribute malware or steal personal information. To protect themselves, individuals should ensure their devices have reliable antivirus software installed and validate the legitimacy of the websites they are downloading from. In conclusion, the ability to download Vr Commodore Repair Manual has transformed the way we access information. With the convenience, cost-effectiveness, and accessibility it offers, free PDF downloads have become a popular choice for students, researchers, and book lovers worldwide. However, it is crucial to engage in ethical downloading practices and prioritize personal security when utilizing online platforms. By doing so, individuals can make the most of the vast array of free PDF resources available and embark on a journey of

continuous learning and intellectual growth.

FAQs About Vr Commodore Repair Manual Books

What is a Vr Commodore Repair Manual PDF? A PDF (Portable Document Format) is a file format developed by Adobe that preserves the layout and formatting of a document, regardless of the software, hardware, or operating system used to view or print it. **How do I create a Vr Commodore Repair Manual PDF?** There are several ways to create a PDF: Use software like Adobe Acrobat, Microsoft Word, or Google Docs, which often have built-in PDF creation tools. Print to PDF: Many applications and operating systems have a "Print to PDF" option that allows you to save a document as a PDF file instead of printing it on paper. Online converters: There are various online tools that can convert different file types to PDF. **How do I edit a Vr Commodore Repair Manual PDF?** Editing a PDF can be done with software like Adobe Acrobat, which allows direct editing of text, images, and other elements within the PDF. Some free tools, like PDFescape or Smallpdf, also offer basic editing capabilities. **How do I convert a Vr Commodore Repair Manual PDF to another file format?** There are multiple ways to convert a PDF to another format: Use online converters like Smallpdf, Zamzar, or Adobe Acrobats export feature to convert PDFs to formats like Word, Excel, JPEG, etc. Software like Adobe Acrobat, Microsoft Word, or other PDF editors may have options to export or save PDFs in different formats. **How do I password-protect a Vr Commodore Repair Manual PDF?** Most PDF editing software allows you to add password protection. In Adobe Acrobat, for instance, you can go to "File" -> "Properties" -> "Security" to set a password to restrict access or editing capabilities. Are there any free alternatives to Adobe Acrobat for working with PDFs? Yes, there are many free alternatives for working with PDFs, such as: LibreOffice: Offers PDF editing features. PDFsam: Allows splitting, merging, and editing PDFs. Foxit Reader: Provides basic PDF viewing and editing capabilities. How do I compress a PDF file? You can use online tools like Smallpdf, ILovePDF, or desktop software like Adobe Acrobat to compress PDF files without significant quality loss. Compression reduces the file size, making it easier to share and download. Can I fill out forms in a PDF file? Yes, most PDF viewers/editors like Adobe Acrobat, Preview (on Mac), or various online tools allow you to fill out forms in PDF files by selecting text fields and entering information. Are there any restrictions when working with PDFs? Some PDFs might have restrictions set by their creator, such as password protection, editing restrictions, or print restrictions. Breaking these restrictions might require specific software or tools, which may or may not be legal depending on the circumstances and local laws.

Find Vr Commodore Repair Manual :

[operations management stevenson 10th edition slides](#)

[operations manual of mutual fund](#)

opposing force strategy guide

[operators guide challenger 1800](#)

[opnet lab manual solutions swf](#)

[oracle 11g apex installation guide](#)

operating manual to okuma lt 200

operation maintenance manual cat

operators manual penta 140

operational manual for sequential compression devices

optical communication question paper

[oracle database express edition 11g release 2 for windows x64](#)

oracle ebs student guide

operations management 9th edition solutions

opinion writing lesson kindergarten

Vr Commodore Repair Manual :

chemistry answer key units 1 5 res google books - Jul 25 2022

web chemistry answer key units 1 5 res res knowledgeunit answer key units 1 5 key individual answer key for chemistry units 6 10

pearson chemistry 9780132525763 solutions and answers quizlet - Aug 06 2023

web find step by step solutions and answers to pearson chemistry 9780132525763 as well as thousands of textbooks so you can move forward with confidence

[chemical bonding worksheet chemistry libretxts](#) - May 23 2022

web mar 13 2023 learning objectives be able to define covalent bonds polar covalent bonds ionic bonds electronegativity dipoles formal charge molecular formula structural formula and electron dot formula be able to recognize whether the type of bond between two atoms is covalent polar covalent or ionic

chemistry worksheets and handouts pdf for printing - Jun 23 2022

web mar 8 2021 print free chemistry worksheets and handouts to enhance student learning this is a collection of free chemistry worksheets and handouts to print most of the printables are pdf files although some are available as jpg or png files

igsce chemistry answers pearson - Apr 02 2023

web r values and then attach the unit g to give the mass of 1 mole a 27 g b 331 g 4 30 16 68 8g d 0 70 62 43 4g e 0 015 85 1 275 g f 0 24 286 68 64 g don t forget the water of crystallisation strictly speaking the answers to d e and f shouldn t be quoted to more than 2 significant figures because

organic i final exam review resources chemistry libretexts - May 03 2023

web organic chemistry i reactions and overview organic i review packet interactive organic reactions very extensive material from org i general topics review rapid review of everything organic i concepts summary of first semester reactions summary of reactions for chm 26100 reactions of different functional groups looks like orgo threw up

worksheets general chemistry traditional chemistry - Dec 30 2022

web worksheets general chemistry traditional page id 11039 in an effort to introduce more engaged learning in courses you can assign worksheets for the discussions this helps to standardize class variability in their discussions and provides a consistent platform for the students to work from acid base equilibria worksheet

worksheets general chemistry chemistry libretexts - Jan 31 2023

web jun 11 2021 the libretexts libraries are powered by nice cxone expert and are supported by the department of education open textbook pilot project the uc davis office of the provost the uc davis library the california state university affordable learning solutions program and merlot we also acknowledge previous national science

practice sheet 15 answers chem 101 byu studocu - Nov 28 2022

web practice sheet 15 answers chem 101 byu studocu southern new hampshire university university of california los angeles university of massachusetts lowell silver creek high school colorado university of houston clear lake

chemistry re sheet unit 10 answer key cie advances asme - Apr 21 2022

web chemistry re sheet unit 10 answer key chemistry re sheet unit 10 answer key 2 downloaded from cie advances asme org on 2023 06 12 by guest engineering and petrochemical engineering diploma students of the country since branch related subjects of petrochemical engineering are same as that of chemical engineering

ch 15 pt 2 answer key for practice worksheet studocu - Jul 05 2023

web ch 15 chemical equilibrium ch 15 chemical equilibrium part 2 theory answer the following questions with 1 2 sentences a what is q reaction quotient is used to determine the ratio between reactants to products b which way does the reaction shift when q 4 and k 0 towards the reactants q gt k consider the following reaction

chemistry 12 answer key vancouver school board - Feb 17 2022

web oct 17 2022 reaction kinetics mc worksheet rate mc key pdf reaction kinetics worksheet kinetics rev ws key pdf equilibrium worksheet eqm rev ws key pdf worksheet 3 solubility sol rev ws key pdf worksheet 4 acid base part i final rev ws4 ab pdf worksheet 5 acid base part ii final rev ws5 ab pdf

answer key chapter 15 chemistry openstax - Sep 07 2023

web check 3 15 10 3 0 050 100 6 28 3 15 10 3 0 050 100 6 28 this value is greater than 5 so a more exact method such as successive approximations must be used ca 2 2 8 10 3 m oh 0 053 10 2 m

2a basic atomic structure worksheet chemistry libretexts - Aug 26 2022

web mar 13 2023 because the masses of atoms are so small it is more convenient to give nuclide masses in atomic mass units abbreviated amu or u the latter is the official si abbreviation rather grams the atomic mass unit is defined as follows one atomic mass unit is defined as 1/12 of the mass of ^{12}C atom

15 05 a unit 15 review sheet key pdf chemistry scribd - Oct 08 2023

web review sheet unit 15 key name m re ac s s t b r o h a m n b e t s a m r e p u d t m a e t n i s o t o p o n e u t r o t o e m e p e a r a t u l r e s u c r l t i t v y i h c h a i n f p a l u r l f i s s i o n t i t r o o a o n n u c l e o n s p g e s h g a m m a n s r a d i o a c t i o v e h y d r o g e n

solutions limiting reagents worksheet chemistry libretexts - Mar 01 2023

web if you start with 14.82 g of Ca(OH)_2 and 16.35 g of H_2SO_4 a determine the limiting reagent b determine the number of moles of H_2O produced c determine the number of grams of CaSO_4 produced d determine the number of grams of excess reagent left 1 make sure the equation is balanced

ap worksheets 9 units adrian dingle s chemistry pages - Sep 26 2022

web access to a complete set of ap chemistry worksheets with answers for the 2021 2022 ap chemistry course

solved unit 15 self test integrated chemistry review 1 chegg - Jun 04 2023

web unit 15 self test integrated chemistry review 1 pyrophosphonic acid is composed of 27.7% hydrogen 34.8% phosphorus and the remainder is oxygen the acid is known to have the ability to ionize two hydrogens in water

review sheet unit 15 chemistry answer key pqr uiarf gov co - Oct 28 2022

web it is your totally own get older to pretense reviewing habit in the midst of guides you could enjoy now is review sheet unit 15 chemistry answer key below asap chemistry a quick review study guide for the ap exam the princeton review 2019 02 12 looking for sample exams practice questions and test taking strategies check out our extended

chemistry re sheet unit 8 answer key download only cie - Mar 21 2022

web chemistry re sheet unit 8 answer key chemistry re sheet unit 8 answer key 3 downloaded from cie advances asme org on

2020 01 27 by guest organization as the first edition substantial improvements have been made in the figures illustrations and example exercises that support the text narrative changes made in chemistry

finance manager interview questions with answers and tips - Oct 06 2022

web mar 18 2023 understanding the types of finance manager interview questions can help you prepare relevant answers showing your expertise in finance in this article we discuss 10 commonly asked financial management interview questions and answers along with few tips on how to answer the interviewer

financial management interview questions and sample answers - Jan 29 2022

web sep 30 2022 below are some financial management interview questions and sample responses 1 how can your knowledge and skills benefit our company the interviewer may wonder how you intend to apply your skills and knowledge to enhance the company s growth in your answer you can highlight your skills knowledge and expertise in the

25 finance manager interview questions answers - Nov 07 2022

web to help you prepare for your finance manager interview here are 25 interview questions and answer examples get more information about our finance manager interview questions question 1 of 25 have you ever had to explain complex accounting concepts to non finance leaders how did you go about that task how to answer answer example

finance manager interview questions with sample answers - Aug 04 2022

web dec 6 2022 in this article we explain general and in depth questions employers may ask discuss common finance manager interview questions with sample answers and provide helpful tips general finance manager interview questions

20 finance manager interview questions answers - May 13 2023

web make sure you prepare three great questions to ask in your finance manager interview to increase your chances of success at the interview download a copy of our 20 great answers to tough finance manager interview questions directly

finance manager interview questions and answers workable - Jan 09 2023

web finance manager interview questions and answers these finance manager interview questions will help you look for important skills in candidates adjust them to fit your position and company similar job titles include tax manager make sure that you are interviewing the best finance manager candidates sign up for

9 essential finance management interview questions toptal - Feb 27 2022

web comprehensive community driven list of essential finance management interview questions whether you re a candidate or interviewer these interview questions will help prepare you for your next finance management interview ahead of time

36 finance manager interview questions and answers indeed - Feb 10 2023

web may 4 2023 here s a list of 10 general interview questions for finance managers what professional goals do you have for the next five years what according to you are the most essential skills of a finance manager why did you join the finance

industry what financial newspapers or publications do you read

most common finance interview questions with recommended answers - Jun 02 2022

web if you want to ace your finance interview then make sure you master the answers to these challenging questions below this guide is perfect for anyone interviewing for a financial analyst job and it s based on real questions asked at global investment banks to make hiring decisions

41 financial manager interview questions with answers - Aug 16 2023

web sep 11 2023 learning the common financial manager interview questions can help you prepare for an interview and show employers and hiring managers you re the best fit for the role in this article we explain the top financial manager interview questions and give examples of the answers an employer may look for from an applicant

top 20 finance manager interview questions answers 2023 - Sep 05 2022

web here the interviewer wants to know about your past jobs and experiences as a finance manager he will assess your skills and know if you hold up to their standards tip 1 read the job description before you appear for your interview and relate it with your experience

top 20 interview questions for finance managers sample answers - Jul 03 2022

web special tip if you are not sure how to answer the questions or experience anxiety before your interview have a look at a new ebook i published the finance manager interview guide multiple brilliant answers to all 25 questions included the dreaded scenario based questions and winning interview strategies will help you streamline your

6 finance manager interview questions updated 2023 indeed - Jul 15 2023

web review these questions to help guide your discussion with a finance manager candidate during a job interview hiring a finance manager our finance manager interview questions and answers will help you hire the most

30 finance manager interview questions with example answers - May 01 2022

web 1 day ago additional examples of finance manager interview questions can you name some improvements you would make as a finance manager can you tell me about a financial analysis project you ve completed before what is your approach to budgeting and forecasting how have you ensured compliance with financial regulations and industry

finance manager interview question guide linkedin talent - Apr 12 2023

web interview questions for hiring finance managers the right interview questions can help you assess a candidate s hard skills behavioral intelligence and soft skills explore the top

financial manager interview questions updated 2023 indeed - Mar 31 2022

web whether you are preparing to interview a candidate or applying for a job review our list of top financial manager interview questions and answers how do your degrees certifications and experience make you an ideal candidate

20 finance manager interview questions and answers to help - Jun 14 2023

web feb 4 2023 20 finance manager interview questions and answers to help you prepare common finance manager interview questions how to answer them and sample answers from a certified career coach interviewprep career coach published feb 4

top 21 finance managers interview questions in 2023 with answers - Dec 28 2021

web 9 as the finance team department manager explain your responsibilities sample answer as the head of a finance team i will ensure that i perform my obligations on time to ensure that my team remains on schedule to maintain a sense of unity i will ensure clear communication in the team

top 50 finance manager interview questions answers - Mar 11 2023

web jul 29 2021 last date of application 29 07 2021 50 finance manager questions and answers there are a plethora of career opportunities in financial management ranging from investor relations associates and investment analysts to financial auditors and finance managers finance corporations insurance companies banks and every other

15 finance manager interview questions and answers indeed - Dec 08 2022

web whether you are preparing to interview a candidate or applying for a job review our list of top finance manager interview questions and answers

postal service pay period calendar 2014 files climagic - Jul 03 2023

web summary of observations and recommendations on u s postal service activities during first session of ninety third congress hearings reports and prints of the senate committee on post office and civil

fillable online pay period for us postal service 2014 pay period - Jun 21 2022

web share how to fill out pay period for us 01 gather the necessary information to fill out the pay period for us you will need to have the start and end dates of the pay period as well as the total hours worked during that period additionally you may need to know the overtime hours if applicable 02

usps 2021 pay dates and leave year postalreporter com - Sep 24 2022

web nov 6 2020 the following chart lists the 2021 pay periods for the convenience of timekeepers each biweekly pay period appears as two separate weeks with the beginning and ending dates indicated for each week the leave year always begins the first day of the first full pay period in the calendar year

2023 usps pay dates and leave year postal times - Apr 19 2022

web the 2023 leave year begins january 14 2023 pay period 03 2023 extends for 26 full pay periods and ends january 12 2024 pay period 02 2024 2023 pay dates and leave year the following chart lists the 2023 pay periods for the convenience of timekeepers each biweekly pay period appears as two separate weeks with the beginning and ending

2013 pay dates and leave year about usps com - Mar 31 2023

web 2013 pay dates and leave year the following chart lists the pay periods for 2013 for the convenience of timekeepers each biweekly pay period appears as 2 separate weeks with the beginning and ending dates indicated for each week the leave year always begins the first day of the first full pay period in the calendar year

finance about usps com - May 21 2022

web the following chart lists the 2023 pay periods for the convenience of timekeepers each biweekly pay period appears as two separate weeks with the beginning and ending dates indicated for each week the leave year always begins the first day of the first full pay period in the calendar year the 2023 leave year begins january 14 2023 pay

pay pay pay period guide for 2014 national association of letter - Oct 06 2023

web 2014 pay period inclusive dates pay period begins ends pay date holiday 12 14 12 28 1 11 1 25 2 8 2 22 3 8 3 22 4 5 4 19 5 3 5 17 5 31 6 14 6 28 7 12 7 26 8 9 8 23 9 6 9 20 10 4 10 18 11 1 11 15 11 29 12 27 1 10 1 24 2 7 2 21 3 7 3 21 4 4 4 18 5 2 5 16 5 30 6 13 6 27 7 11 7 25 8 8 8 22 9 5 9 19 10 3 10 17 10 31 11 14 11 28 12 12

postal service pay period calendar 2014 2022 ai classmonitor - Dec 28 2022

web postal service pay period calendar 2014 reform in statutory pay provisions daily bulletin of orders affecting the postal service federal salaries and classifications united states code personnel information bulletin civil service classification and salary laws journal of the senate of the united states of america united states statutes at

postal employee pay dates and leave year - May 01 2023

web postal employee pay dates and leave year 2016 usps employee holidays this information is posted our blog go here scroll down for prior years 2015 pay dates and leave year scroll down for 2014 pay periods

organization information about usps com - Feb 15 2022

web pay period week one week two pay date holidays 01 12 22 to 12 28 12 29 to 01 04 01 11 12 25 and 01 01 02 01 05 to 01 11 01 12 to 01 18 01 25 03 01 19 to 01 25 01 26 to 02 01 02 08 01 21 04 02 02 to 02 08 02 09 to 02 15 02 22 05 02 16 to 02 22 02 23 to 03 01 03 08 02 18 06 03 02 to 03 08 03 09 to 03 15 03 22 07

indian post office salary structure postal employees pay scale - Aug 24 2022

web secretary posts director general postal services pay matrix level 17 225000 fixed hag member postal services board as fa pay matrix level 16 205400 224400 hag cpmg sr ddg cgm pay matrix level 15 182200 224100 sag pmg ddg gm fin chief engineer pay matrix level 14 144200 218200

usps reports postal regulatory commission - Jan 29 2023

web jan 13 2015 12 12 2014 on roll and paid employee statistics orpes november 2014 pay period 25 fy 2014

postal service pay period calendar 2014 - Sep 05 2023

web administration postal kwor1p5wan postal service pay period calendar 2014 postal news usps color coded calendar postaljobhotline com my annuity and benefits annuity payments opm gov postalreporter postal workers postal employees calendar postal service pay period calendar 2014 moella de payroll guide general accounting

finance about usps com - Jul 23 2022

web the following chart lists the 2022 pay periods for the convenience of timekeepers each biweekly pay period appears as two separate weeks with the beginning and ending dates indicated for each week the leave year always begins the first day of the first full pay period in the calendar year the 2022 leave year begins january 1 2022 pay

organization information about usps com - Feb 27 2023

web for the convenience of timekeepers each biweekly pay period appears as two separate weeks with the beginning and ending dates indicated for each week the leave year always begins the first day of the first full pay period in the calendar year the 2015 leave year begins january 10 2015 pay period 03 2015 and extends for 26 full pay

postal pay periods 2014 legacy theoec org - Jun 02 2023

web postal pay periods 2014 downloaded from legacy theoec org by guest leblanc paul the union postal clerk the postal transport journal brookings institution press the code of federal regulations is the codification of the general and permanent rules published in the federal register by the

organization information about usps com - Aug 04 2023

web the leave year always begins the first day of the first full pay period in the calendar year the 2014 leave year begins january 11 2014 pay period 03 2014 and extends for 26 full pay periods ending january 09 2015 pay period

postal pay periods 2014 pdf cyberlab sutd edu sg - Nov 26 2022

web postal pay periods 2014 federal register mar 10 2023 code of massachusetts regulations 2014 aug 15 2023 archival snapshot of entire looseleaf code of massachusetts regulations held by the social law library of massachusetts as of january 2015 occupational compensation survey pay and benefits jun 20 2021

organization information about usps com - Mar 19 2022

web the following chart lists the 2021 pay periods for the convenience of timekeepers each biweekly pay period appears as two separate weeks with the beginning and ending dates indicated for each week the leave year always begins the first day of the first full pay period in the calendar year the 2021 leave year begins january 2 2021 pay

postal service pay period calendar 2014 download only ncf - Oct 26 2022

web postal service pay period calendar 2014 1 postal service pay period calendar 2014 hearings reports and documents civil service preference retirement and salary classification laws daily bulletin of orders affecting the postal service report congressional record appropriations for and legislation affecting the post office

