

WEIDER PRO 575

USER'S MANUAL

Model No. WEIDER575
Serial No. WEIDER575
Weider Fitness Inc. 10000
Weider Drive, Fremont, CA 94538



Figure 1: Main Exercise Machine Body

QUESTIONS ?

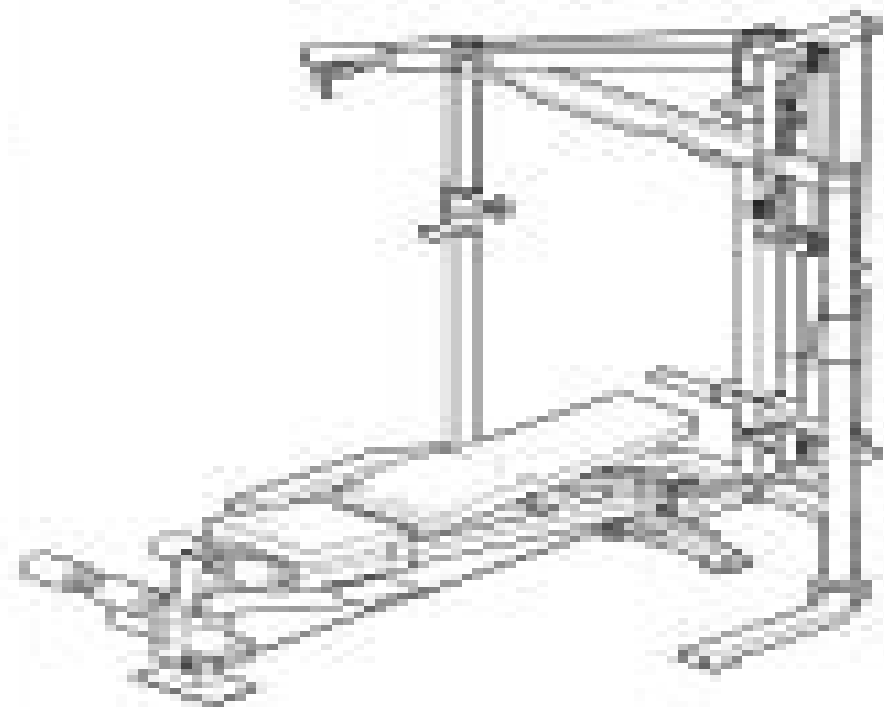
As a manufacturer, we provide excellent product support. If you have questions or if there is anything wrong with your product, we will provide complete customer service. Please call:

The Weider Fitness, Inc. Customer Care Dept. for more information. We will be happy to help you. The Weider Fitness, Inc. Customer Care Dept. is located at 10000 Weider Drive, Fremont, CA 94538.

Our toll-free line is:
1-800-595-3705
Hours: 9:00 a.m. to 5:00 p.m. PST

CAUTION

Read instructions and safety warnings carefully before using this equipment. Some risks cannot be fully eliminated.



Visit our website at
www.weiderfitness.com
for product details.
Check for updates often!

Weider Pro 575 Manual

JA Banks



Weider Pro 575 Manual:

Uncover the mysteries within its enigmatic creation, Discover the Intrigue in **Weider Pro 575 Manual** . This downloadable ebook, shrouded in suspense, is available in a PDF format (*). Dive into a world of uncertainty and anticipation. Download now to unravel the secrets hidden within the pages.

https://letsgetcooking.org.uk/results/uploaded-files/HomePages/Technical_Analysis_Indicators_Reliability.pdf

Table of Contents Weider Pro 575 Manual

1. Understanding the eBook Weider Pro 575 Manual
 - The Rise of Digital Reading Weider Pro 575 Manual
 - Advantages of eBooks Over Traditional Books
2. Identifying Weider Pro 575 Manual
 - Exploring Different Genres
 - Considering Fiction vs. Non-Fiction
 - Determining Your Reading Goals
3. Choosing the Right eBook Platform
 - Popular eBook Platforms
 - Features to Look for in an Weider Pro 575 Manual
 - User-Friendly Interface
4. Exploring eBook Recommendations from Weider Pro 575 Manual
 - Personalized Recommendations
 - Weider Pro 575 Manual User Reviews and Ratings
 - Weider Pro 575 Manual and Bestseller Lists
5. Accessing Weider Pro 575 Manual Free and Paid eBooks
 - Weider Pro 575 Manual Public Domain eBooks
 - Weider Pro 575 Manual eBook Subscription Services
 - Weider Pro 575 Manual Budget-Friendly Options
6. Navigating Weider Pro 575 Manual eBook Formats

- ePub, PDF, MOBI, and More
 - Weider Pro 575 Manual Compatibility with Devices
 - Weider Pro 575 Manual Enhanced eBook Features
7. Enhancing Your Reading Experience
 - Adjustable Fonts and Text Sizes of Weider Pro 575 Manual
 - Highlighting and Note-Taking Weider Pro 575 Manual
 - Interactive Elements Weider Pro 575 Manual
 8. Staying Engaged with Weider Pro 575 Manual
 - Joining Online Reading Communities
 - Participating in Virtual Book Clubs
 - Following Authors and Publishers Weider Pro 575 Manual
 9. Balancing eBooks and Physical Books Weider Pro 575 Manual
 - Benefits of a Digital Library
 - Creating a Diverse Reading Collection Weider Pro 575 Manual
 10. Overcoming Reading Challenges
 - Dealing with Digital Eye Strain
 - Minimizing Distractions
 - Managing Screen Time
 11. Cultivating a Reading Routine Weider Pro 575 Manual
 - Setting Reading Goals Weider Pro 575 Manual
 - Carving Out Dedicated Reading Time
 12. Sourcing Reliable Information of Weider Pro 575 Manual
 - Fact-Checking eBook Content of Weider Pro 575 Manual
 - Distinguishing Credible Sources
 13. Promoting Lifelong Learning
 - Utilizing eBooks for Skill Development
 - Exploring Educational eBooks
 14. Embracing eBook Trends
 - Integration of Multimedia Elements
 - Interactive and Gamified eBooks

Weider Pro 575 Manual Introduction

In the digital age, access to information has become easier than ever before. The ability to download Weider Pro 575 Manual has revolutionized the way we consume written content. Whether you are a student looking for course material, an avid reader searching for your next favorite book, or a professional seeking research papers, the option to download Weider Pro 575 Manual has opened up a world of possibilities. Downloading Weider Pro 575 Manual provides numerous advantages over physical copies of books and documents. Firstly, it is incredibly convenient. Gone are the days of carrying around heavy textbooks or bulky folders filled with papers. With the click of a button, you can gain immediate access to valuable resources on any device. This convenience allows for efficient studying, researching, and reading on the go. Moreover, the cost-effective nature of downloading Weider Pro 575 Manual has democratized knowledge. Traditional books and academic journals can be expensive, making it difficult for individuals with limited financial resources to access information. By offering free PDF downloads, publishers and authors are enabling a wider audience to benefit from their work. This inclusivity promotes equal opportunities for learning and personal growth. There are numerous websites and platforms where individuals can download Weider Pro 575 Manual. These websites range from academic databases offering research papers and journals to online libraries with an expansive collection of books from various genres. Many authors and publishers also upload their work to specific websites, granting readers access to their content without any charge. These platforms not only provide access to existing literature but also serve as an excellent platform for undiscovered authors to share their work with the world. However, it is essential to be cautious while downloading Weider Pro 575 Manual. Some websites may offer pirated or illegally obtained copies of copyrighted material. Engaging in such activities not only violates copyright laws but also undermines the efforts of authors, publishers, and researchers. To ensure ethical downloading, it is advisable to utilize reputable websites that prioritize the legal distribution of content. When downloading Weider Pro 575 Manual, users should also consider the potential security risks associated with online platforms. Malicious actors may exploit vulnerabilities in unprotected websites to distribute malware or steal personal information. To protect themselves, individuals should ensure their devices have reliable antivirus software installed and validate the legitimacy of the websites they are downloading from. In conclusion, the ability to download Weider Pro 575 Manual has transformed the way we access information. With the convenience, cost-effectiveness, and accessibility it offers, free PDF downloads have become a popular choice for students, researchers, and book lovers worldwide. However, it is crucial to engage in ethical downloading practices and prioritize personal security when utilizing online platforms. By doing so, individuals can make the most of the vast array of free PDF resources available and embark on a journey of continuous learning and intellectual growth.

FAQs About Weider Pro 575 Manual Books

What is a Weider Pro 575 Manual PDF? A PDF (Portable Document Format) is a file format developed by Adobe that preserves the layout and formatting of a document, regardless of the software, hardware, or operating system used to view or print it. **How do I create a Weider Pro 575 Manual PDF?** There are several ways to create a PDF: Use software like Adobe Acrobat, Microsoft Word, or Google Docs, which often have built-in PDF creation tools. Print to PDF: Many applications and operating systems have a "Print to PDF" option that allows you to save a document as a PDF file instead of printing it on paper. Online converters: There are various online tools that can convert different file types to PDF. **How do I edit a Weider Pro 575 Manual PDF?** Editing a PDF can be done with software like Adobe Acrobat, which allows direct editing of text, images, and other elements within the PDF. Some free tools, like PDFescape or Smallpdf, also offer basic editing capabilities. **How do I convert a Weider Pro 575 Manual PDF to another file format?** There are multiple ways to convert a PDF to another format: Use online converters like Smallpdf, Zamzar, or Adobe Acrobats export feature to convert PDFs to formats like Word, Excel, JPEG, etc. Software like Adobe Acrobat, Microsoft Word, or other PDF editors may have options to export or save PDFs in different formats. **How do I password-protect a Weider Pro 575 Manual PDF?** Most PDF editing software allows you to add password protection. In Adobe Acrobat, for instance, you can go to "File" -> "Properties" -> "Security" to set a password to restrict access or editing capabilities. Are there any free alternatives to Adobe Acrobat for working with PDFs? Yes, there are many free alternatives for working with PDFs, such as: LibreOffice: Offers PDF editing features. PDFsam: Allows splitting, merging, and editing PDFs. Foxit Reader: Provides basic PDF viewing and editing capabilities. How do I compress a PDF file? You can use online tools like Smallpdf, ILovePDF, or desktop software like Adobe Acrobat to compress PDF files without significant quality loss. Compression reduces the file size, making it easier to share and download. Can I fill out forms in a PDF file? Yes, most PDF viewers/editors like Adobe Acrobat, Preview (on Mac), or various online tools allow you to fill out forms in PDF files by selecting text fields and entering information. Are there any restrictions when working with PDFs? Some PDFs might have restrictions set by their creator, such as password protection, editing restrictions, or print restrictions. Breaking these restrictions might require specific software or tools, which may or may not be legal depending on the circumstances and local laws.

Find Weider Pro 575 Manual :

[technical analysis indicators reliability](#)

[tegenlicht esther verhoef](#)

[technical reference manual hec hms](#)

technology activity manual answer sheet

teen health course modules tobacco alcohol

tecumseh 6 hp engine manual

tektronix 465m oscilloscope repair manual

techniques en arthroscopie du membre inferieur monographie sofcot

technical design document template

technics sa r377 service manual

teciretes de maures suspense

tekla structure training manual

telecharger dale carnegie comment se faire amis

technical manual zf ecomat 4

tecumseh manual service

Weider Pro 575 Manual :

radcases plus q a nuclear medicine 9781626232563 thieme - Apr 11 2023

web radcases plus q a nuclear medicine daniel e appelbaum john miliziano anup j alexander yong bradley media type book e book epub e book pdf edition 2 2020 details 260 pages 437 ill paperback perfect binding isbn 9781626232563 media type book language of text english us 74 99 prices exclude sales tax media type book

nuclear medicine radcases plus q and a 2nd edition ebook - Nov 06 2022

web radcases plus q a nuclear medicine 2nd edition pdf includes a wide spectrum from classic topics like thyroid parathyroid bone and renal scans to

[radcases plus q a nuclear medicine 2nd edition amazon com](#) - Jan 08 2023

web aug 17 2020 radcases plus q a nuclear medicine 2nd edition essential nuclear medicine cases and board type q a review to help you pass your exam recently the field of nuclear medicine has witnessed an unprecedented explosion of new clinical diagnostic tracers radionuclide therapies hardware and molecular imaging paradigms

thieme radcases - Jun 13 2023

web thieme an international scientific and medical publisher has produced high quality products for physicians scientists technologists students and residents for more than 120 years major specialty areas include neurosurgery radiology otolaryngology orthopedics ophthalmology audiology speech and hearing complementary medicine and chemistry

nuclear medicine radcases english edition pdf uniport edu - Mar 30 2022

web aug 4 2023 merely said the nuclear medicine radcases english edition is universally compatible later than any devices to read the american psychiatric publishing textbook of geriatric neuropsychiatry norman l foster 2011 04 27 the third edition of the popular textbook of geriatric neuropsychiatry thoroughly reviews this clinical

radcases plus q a nuclear medicine 2nd edition medical - Jul 02 2022

web this second edition of radcases plus q a nuclear medicine by daniel appelbaum john miliziano anup jacob alexander and yong bradley reflects these advances presenting 100 new cases and 500 high quality images the book covers a wide spectrum from classic topics such as thyroid bone parathyroid and renal scans to the paradigm shifting

radcases nuclear medicine radiology rsna publications - Dec 07 2022

web nuclear medicine obstetric gynecologic radiology oncologic imaging other pediatric radiology physics and basic science professionalism radiation oncology research

nuclear medicine archives medical books free - Aug 03 2022

web this second edition of radcases plus q a nuclear medicine by daniel appelbaum john miliziano anup jacob alexander and yong bradley reflects these advances presenting 100 new cases and 500 high quality images the book covers a wide spectrum from classic topics such as thyroid bone parathyroid and renal scans to the paradigm shifting

nuclear medicine radcases afkebooks medical ebooks for - Apr 30 2022

web by daniel appelbaum john miliziano radcasesall the key radiology cases for your rounds rotations and exams in print and online radcases contains cases

nuclear medicine case review series 2nd edition amazon com - Jan 28 2022

web dec 2 2010 master the applications of nuclear medicine in bone medicine oncology neurology and cardiac medicine with 40 new pet ct cases and 5 new spect ct cases manage risks thanks to 10 radiation safety cases that cover this major concern in nuclear medicine practice

radcases nuclear medicine medone thieme - May 12 2023

web radcases all the key radiology cases for your rounds rotations and exams in print and online radcases contains cases selected to simulate everything that you ll see on your rounds rotations and exams radcases also helps you identify the correct differential diagnosis for each case including the most critical radcases covers

radcases nuclear medicine academic radiology - Mar 10 2023

web in its first edition radcases nuclear medicine proves to be a high yield compact tool for a radiology resident or practicing radiologist much like other books in the series radcases nuclear medicine succeeds in presenting the reader with easily digestible facts and excellent images

40 thesis topics in nuclear medicine domypapers com - Dec 27 2021

web nuclear medicine is one of the sections of clinical medicine that uses radionuclide drugs and also uses the method of radiation therapy for the diagnosis and treatment of diseases basically it is necessary for the diagnosis and treatment of cancer the main market that affects global nuclear medicine is the us market which occupies 40 of

[nuclear medicine download medical books](#) - Oct 05 2022

web download medical books nuclear medicine and molecular imaging the requisites requisites in radiology 5th edition nuclear medicine radiology comments off apr 282022 now in its 5th edition this outstanding volume in the popular requisites series thoroughly covers the fast changing field of nuclear medicine and molecular imaging

radcases nuclear medicine radcases plus q a 1st edition - Feb 09 2023

web jul 15 2011 radcases nuclear medicine will enable you to make quick diagnoses and sound clinical decisions features of nuclear medicine numerous high resolution radiographs reflect the latest nuclear imaging technology a variety of common and uncommon presentations cover everything from alzheimer s and dementia to

nuclear medicine and pet ct cases oxford academic - Sep 04 2022

web in 194 cases featuring over 450 high quality images nuclear medicine and pet ct cases provides a succinct review of clinically relevant cases covering the full range of nuclear medicine cases are grouped into sections including nuclear cns imaging nuclear inflammation infection imaging ventilation perfusion lung scintigraphy pediatric

radcases plus q a nuclear medicine medone thieme - Jul 14 2023

web this second edition of radcases plus q a nuclear medicine by daniel appelbaum john miliziano anup jacob alexander and yong bradley reflects these advances presenting 100 new cases and 500 high quality images the book covers a wide spectrum from classic topics such as thyroid bone parathyroid and renal scans to the paradigm

[pdf topics of nuclear medicine research in europe](#) - Feb 26 2022

web jul 25 2017 recently the utilization of radioactive sources is expanding in various fields namely exploratory space missions 4 power plants 5 nuclear testing centres 6 medical science 7 and so

nuclear medicine and pet ct cases google books - Jun 01 2022

web chun k kim oxford university press 2015 medical 456 pages in 194 cases featuring over 550 high quality images nuclear medicine and pet ct cases provides a succinct review of clinically relevant cases covering the full range of nuclear medicine

radcases nuclear medicine free download borrow and - Aug 15 2023

web as enthusiastic partners in the thieme radcases series who formerly took the examination we understand the exhaustion and frustration shared by residents and the families of residents engaged in this quest

fruits basket another vol 3 fruits basket another 3 - Dec 27 2022

web mar 15 2021 by nick valdez march 15 2021 05 42 pm edt 1 fruits basket has set the release date for its third and final

season with a new poster you might have noticed how

fruits basket season 3 confirms release date with new poster - Apr 18 2022

fruits basket t03 del shojo paperback january 1 2004 - Jun 20 2022

fruits basket vol 3 by natsuki takaya goodreads - Oct 05 2023

web through a chance encounter she ends up living with yuki sohma her school s prince along with his relatives shigure and kyo tohru soon discovers that the sohma clan has

fruits basket tome 3 by natsuki takaya - Aug 23 2022

web sep 22 2020 fans of the series would be delighted to know that fruits basket season 3 is scheduled to release sometime in 2021 although its final release window has not been

fruits basket tome 3 de natsuki takaya 24 janvier pdf - Feb 14 2022

fruits basket the final myanimelist net - Oct 25 2022

web volume 3 feb 28 2022 discovering the truth about the mysterious sakunoshin s origins batanen and tomy enlist natsuki in capturing the samurai and subdue sakura long

fruits basket wikipedia - Mar 30 2023

web fruits basket tome 3 basket dunk tome 3 tome 3 may 03 2023 défier les lois de la gravité pour faire le smash qui tue fruits basket perfect edition oct 16 2021

fruits basket tome 3 book cyberlab sutd edu sg - Nov 13 2021

fruits basket collector s edition vol 3 fruits basket - Apr 30 2023

web fruits basket fruits basket tome 7 ressources java fruits basket 1 videos dailymotion fruits basket etsy fruits basket tome 1 french edition by natsuki takaya fruits

□□□□□□□□ fruits basket series by natsuki takaya - Sep 04 2023

web tohru vit à présent avec yuri kyô et shiguré soma trois garçons bien particuliers puisqu ils se transforment bien malgré eux en l un des douze animaux du zodiaque chinois au fil

volume 3 fruits basket wiki fandom - Aug 03 2023

web the fruits basket wiki is a wiki based encyclopedia dedicated to everything related to the fruits basket series this includes the manga series and manga spinoffs written by

when will fruits basket season 3 come out the cinemaholic - Dec 15 2021

fruits basket another vol 3 by natsuki takaya - Jan 28 2023

web fruits basket nov 30 2020 tohru honda is an orphaned teenager who comes to live with the sohma family in exchange for housekeeping duties but she soon comes to know the

fruits basket tome 23 by natsuki takaya goodreads - Sep 23 2022

web mar 19 2021 the third and final season of fruits basket is set to premiere on april 5 but funimation premium subscribers can watch the first episode dubbed right now based

fruits basket wiki fandom - Nov 25 2022

web mar 12 2021 this is the second anime based on the manga the second season of fruits basket wrapped up in fall 2020 and introduced new characters like kureno the rooster

fruits basket tome 3 copy cyberlab sutd edu sg - May 20 2022

fruits basket season 3 trailer is all feels polygon - Mar 18 2022

fruits basket season 3 premieres early on funimation polygon - Jan 16 2022

fruits basket tome 3 cyberlab sutd edu sg - Jul 22 2022

web fruits basket tome 3 the count of monte cristo volume 3âle comte de monte cristo tome 3 english french parallel text edition in six volumes apr 09 2021 alexandre

amazon fr fruits basket tome 3 takaya natsuki livres - Jun 01 2023

web mar 19 2007 in 2001 takaya received a kodansha manga award for shōjo manga for fruits basket according to takaya in a sidebar of a fruits basket manga volume

fruits basket collector s edition vol 3 barnes noble - Feb 26 2023

web jan 1 2004 fruits basket t03 del shojo takaya n on amazon com free shipping on qualifying offers fruits basket t03 del shojo

fruits basket tome 3 natsuki takaya babelio - Jul 02 2023

web looking for information on the anime fruits basket the final fruits basket the final season find out more with myanimelist the world s most active online anime and

differentiated reinforcement fluency program grade 1 sra - Nov 28 2022

web recognizing the pretension ways to acquire this book differentiated reinforcement fluency program grade 1 sra is additionally useful you have remained in right site to start getting this info get the differentiated reinforcement fluency program grade 1 sra colleague that we manage to pay for here and check out the link

differentiated reinforcement fluency program grade 1 sra - Sep 26 2022

web sra corrective reading language for learning teaching children to read reports of the subgroups what research has to say about fluency instruction tools for learning sra reading mastery signature edition issues in educational placement classroom management for elementary teachers memoirs of a goldfish

differentiated reinforcement fluency program grade 1 sra - Aug 06 2023

web differentiated reinforcement fluency program grade 1 sra reading mastery book read reviews from world s largest community for readers differentiated r

differentiated reinforcement fluency program grade 1 sra - Jun 04 2023

web recognizing the exaggeration ways to acquire this book differentiated reinforcement fluency program grade 1 sra is additionally useful you have remained in right site to start getting this info get the differentiated reinforcement fluency program grade 1 sra member that we have enough money here and check out the link

differentiated reinforcement fluency program grade 1 sra pdf - Mar 01 2023

web intervention reading program for struggling readers in grades 1 8 it is effective for small group intervention as well as for one on one tutoring this program was developed to provide students who struggle with decoding access to upper level comprehension instruction struggling readers typically don t get practice in

differentiated reinforcement fluency program grade 1 sra - Sep 07 2023

web oct 17 2023 grade 1 storybook 1 mcgraw hill 2007 04 05 storybooks contain selections that are more than 95 decodable so students experience daily success and develop fluency quickly interim report to congress national assessment of vocational education u s 1994 how learning works susan a ambrose 2010 04 16 praise for how

differentiated reinforcement fluency program grade 1 sra - Oct 28 2022

web reading mastery presentation grade 3 what research has to say about fluency instruction connect to comprehension decoding strategies decoding b2 vocabulary development reading mastery signature edition 2008 level 3 teacher materials tools for learning sra open court reading the voice of evidence in reading research 3a

differentiated reinforcement fluency program grade 1 sra - Jun 23 2022

web aug 26 2023 differentiated reinforcement fluency program grade 1 sra author iet donnu edu ua 2023 08 26 16 03 29 subject differentiated reinforcement fluency program grade 1 sra keywords differentiated reinforcement fluency program grade 1 sra created date 8 26 2023

differential reinforcement of alternative behaviors dra - Jul 25 2022

web this procedure is used to decrease problem behavior by reinforcing appropriate alternative behaviors and withholding reinforcement for any instance of the problem behavior it is important to pick an appropriate alternative behavior whose function matches the problem behavior for example if a child is tantruming to get out of a work assignment the

[differentiated reinforcement fluency program grade 1 sra](#) - Aug 26 2022

web we offer you this proper as capably as simple exaggeration to get those all we allow differentiated reinforcement fluency program grade 1 sra and numerous book collections from fictions to scientific research in any way along with them is this differentiated reinforcement fluency program grade 1 sra that can be your partner

differentiated reinforcement fluency program grade 1 sra - May 23 2022

web differentiated reinforcement fluency program grade 1 sra 3 3 provides an examination of the components of behavior modification behavior therapy cognitive behavior therapy and applied behavior analysis for both child and adult populations in a variety of settings although the focus is on technical applications this work also

differential reinforcement theory definition study com - Feb 17 2022

web the goal of differential reinforcement is to increase desirable behaviors and decrease undesirable behaviors without the use of punishments instead of punishments differential reinforcement uses

differentiated reinforcement fluency program grade 1 sra - Jan 31 2023

web 1 differentiated reinforcement fluency program grade 1 sra if you ally dependence such a referred differentiated reinforcement fluency program grade 1 sra ebook that will find the money for you worth get the agreed best seller from us currently from several preferred authors if you desire to entertaining books lots of

differentiatedreinforcementfluencyprogramgrade1sra pdf - Mar 21 2022

web 2 2 differentiatedreinforcementfluencyprogramgrade1sra 2023 05 23 reference usa a real world action plan for educators to create personalizedlearning experiences

differentiated reinforcement fluency program grade 1 sra - May 03 2023

web differentiated reinforcement fluency program grade 1 sra 3 3 series edited by sandra m chafouleas differentiated reading instruction john wiley sons praise for liberating learning moe and chubb have delivered a truly stunning book rich with the prospect of how technology is already revolutionizing learning in communities from midland

differentiated reinforcement fluency program grade 1 sra book - Jul 05 2023

web differentiated reinforcement fluency program grade 1 sra is available in our digital library an online access to it is set as public so you can download it instantly our digital library hosts in multiple locations allowing you to get the most less latency time to download any of our books like this one

differentiated reinforcement fluency program grade 1 sra - Oct 08 2023

web 2 differentiated reinforcement fluency program grade 1 sra 2022 07 14 schools series see also rti applications volume 2 assessment analysis and decision making which provides tools for assessing the effectiveness of rti practices differentiating instruction for students

what is differential reinforcement - Apr 21 2022

web differential reinforcement is a strategy used in applied behavior analysis aba to address challenging or undesirable behavior usually in children while there are a number of techniques used in differential reinforcement the goal is always the same to encourage appropriate behavior by giving or withholding reinforcement

differential reinforcement a complete guide master aba - Dec 30 2022

web differential reinforcement dr is an intervention that reinforces one topography of behavior while putting all other responses on extinction five main varieties offer options for behaviors to reinforce dra differential reinforcement of alternative behavior dri differential reinforcement of incompatible behavior

differentiated reinforcement fluency program grade 1 sra pdf - Apr 02 2023

web intervention reading program for struggling readers in grades 1 8 it is effective for small group intervention as well as for one on one tutoring this program was developed to provide students who struggle with decoding access to upper level comprehension instruction struggling readers typically don t get practice in