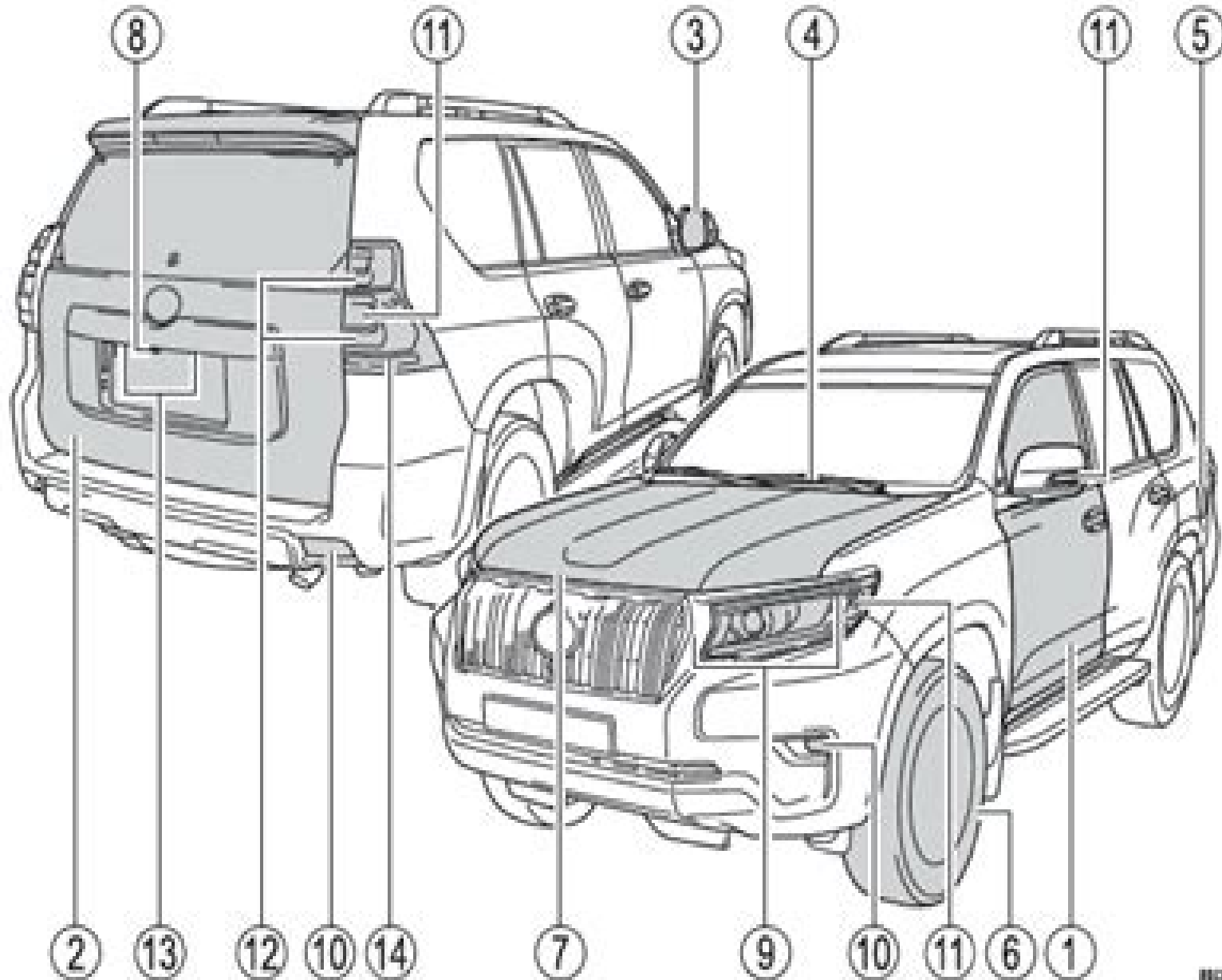


Exterior



Toyota Land Cruiser Prado 150 Owner Manual

Helming



Toyota Land Cruiser Prado 150 Owner Manual:

Thailand: Doing Business and Investing for Everyone Guide - Practical Information and Contacts IBP, Inc., 2014-09-12 Business in Thailand for Everyone Practical Information and Contacts for Success Tell ,2003 *Toyota Land Cruiser Owner's Manual* ,1978 *CARNEWS* 2021/1 (NO.361) 2021-01-11 2021 Corolla Cross F1 Russell SUV Vorsteiner MP4 12C **Загадка жертвы** Марина Серова, 2022-08-15 1987 2016/2 (NO.302) (PDF) 2016-09-01 Hyundai Screen Machines Product News Mazda CX 3 vs Mazda 3 M Benz C450 AMG 4Matic Peugeot 208 GTi Hyundai Genesis Honda City Mazda MX 5 Porsche Panamera Diesel Edition LUXGEN M7 TURBO ECO HYPER CES 2016 CES 2016 SUV Toyota RAV4 Toyota Sienta 5 2 MPV Kia Carens vs Toyota Prius vs VW Touran Being a Meatarian VW T6 Caravelle 2 0 TDI Mazda MX 5 vs Toyota 86 2016 M Benz GLC 250 4Matic M Benz GLE 350d 4Matic Hyundai Ioniq DIY F1 Whats hot Ford GT 40 **2018 Toyota Land Cruiser Owner Manual Compatible with OEM Owners Manual, Factory Glovebox Book** Helming, 2018-01-29 *The Advertising Red Books* ,2007 2016/1 (NO.301) (PDF) 2016-09-01 580hp 911 Turbo Volvo S90 Mini Clubman VW Touran 280 TSI Trandline Peugeot 5008 1 6L BlueHDi Design Skoda Superb Combi 2 0 TSI L K Honda Clarity Fuel Cell Ford Mondeo Advanced Hybrid Subaru XV Ferrari Corso Pilota Lexus GS 200t F Sport Mazda CX 3 1 5 Skyactiv D Jaguar XE 20d Volvo XC60 T6 R Design 2015 Thailand International Motor Expo BMW 740Li Ford Mondeo Advanced Hybrid M Benz GLA 250 4MATIC M Benz C 300 C 300 4MATIC Volvo Clean Zone Traffic Jam Assist Luxgen S3 EV Porsche Macan GTS 7 Hybrid MPV Toyota Prius PRE SIHH Crossover 2015 11 Skoda Superb Superb Combi 2016 Huracan Audi R8 V10 M Benz E63 AMG 4Matic Honda LUXGEN S3 EV Honda CR V 2 4 VTi S Kia 2016 2016/5 (NO.305) (PDF) 2016-09-01 2016 3 Skoda Superb Jaguar XE BMW 7 Series Special Topic 70 Skoda Octavia 1 4 TSI Luxgen U6 Turbo Eco Hyper Honda City COLT PLUS Product News C P Skoda Yeti BASEL 2016 M BMW VW Golf Variant 280 TSI Highline 2016 2016 31 6 BMW 528i Pure Luxury Edition M Benz E Class Hyundai Tucson MPV KIA Carens Special Report MPV VW Touran MPV VW Sportvan Spyshot Porsche 718 Boxster S Special Topic Car News F1 Kimi Raikkonen Ford Focus S M Benz GLS VW Caddy Maxi Land Rover Discovery 4 Graphite Edition Mercedes AMG A45 4Matic Global Car News Ford Ranger 2016 Hamilton Porsche 911 Column 2016/7 (NO.307) (PDF) 2016-09-01 54 9 Luxgen S3 Sedan 2017 Honda Fit Skoda Octavia RS TSI TOYOTA PRIUS VW Golf GTI Audi A6 Allroad Quattro 50 TDI VW Caddy Maxi 1 4 TSI Hyundai WRC VW Beetle Dune Audi A4 INFINITI Q30 Rolls Royce Dawn M Benz E Class Ford EcoSport Honda BMW 340i M Performance Limited Edition WYNN S SPA Hyundai Tucson vs Kia Sportage vs Honda CR V vs Toyota RAV4 Product News LEXUS GS Jaguar F Type SVR Coupe 3S LUXGEN S3 Cross Sedan 608 Maserati Levante S Skoda Rapid Spaceback 1 4 TDI Infiniti Q30 BMW Next 100 Years Expo Toyota Sienna 7 Global Car News vs 7 Audi A4 45 TFSI Quattro 2016 Hamilton 2016/3 (NO.303) (PDF) 2016-09-01 1963 Porsche 718 Boxster Koenigsegg Delorean DMC 12 GT Ferrari GTC4 Lusso Lamborghini Aventador LP 750 4 Superveloce Roadster BMW 730d

109 9 Toyota Prius Ford Mondeo TDCi Sienta 2016 1 New Mini Cooper S Clubman Product News Toyota Prius Amarok Ferrari 488 GTB VW Continental SportContact 6 SIHH 2016 Part 1 Porsche 911 Turbo S NA Lexus GS F Global Car News New Models Market Technology and Culture Subaru Levorg Roadster Spy Shot Peugeot 308 SW GT CUV NEW CAR FORECAST Special Topic Americana 86th 2016 81 2016 F1 2016 F1 Sakura Feast Panasonic [Autocar](#) ,1996-07

[Natsional'nyĭ reestr pravovyykh aktov Respubliki Belarus'](#) Belarus,2012 **Великий казахский роман** Бекарыс Нуржан,Муслим Булат,2022-05-26 [2015 Toyota Land Cruiser Owner Manual Compatible with OEM Owners Manual](#),
[Factory Glovebox Book](#) Helming,2015-09-08 **Практикум по решению инженерных задач. Часть I.**

Нормирование расхода топлива и смазочных материалов Виталий Апсин,А. Мельников,Елена Бондаренко,2016-07-31 **Ezhenedelnyĭ biulleten' zakonodatel'nykh i vedomstvennykh aktov** ,1940 *Reise Know-How Tansania, Sansibar, Kilimanjaro: Reiseführer für individuelles Entdecken* Jörg Gabriel,2016-06-13 Tansania und Sansibar mit diesem kompletten Reiseführer entdecken Sorgfältige Beschreibung aller sehenswerten Städte Landschaften und Nationalparks von Sansibar bis zum Lake Tanganyika von der Serengeti bis zum Lake Nyasa Tipps und Informationen zu Badeständen Tauchgründen und zur Tierbeobachtung Ausführliche Landeskunde Bevölkerung und Kultur Geschichte und Politik Sprachen Wirtschaft Religionen Natur usw Unterkunfts Empfehlungen für jeden Geldbeutel Hotels Safari Lodges Tented Camps Guesthouses Camping Safari Planung Ausschauen organisieren durchführen vom Serengeti National Park bis zum Selous Game Reserve Alle Transportmöglichkeiten Flugzeug Schiff Fähre Bus Dalla Dalla Taxi Motorrad Mietwagen Fahrrad Bahn Bergsteigen und Trekking Mt Kilimanjaro Mt Meru Ngorongoro Hochland Ol Doinyo Lengai Mt Hanang und mehr
Jetzt in neuem Layout Für die Auflage 2016 wurde das Design des Reiseführers vollständig bearbeitet Verbesserte Orientierung im Buch Größere Fotos Modernisierte Seitengestaltung übersichtlichere Karten REISE KNOW HOW Reiseführer für individuelle Reisen

This is likewise one of the factors by obtaining the soft documents of this **Toyota Land Cruiser Prado 150 Owner Manual** by online. You might not require more get older to spend to go to the book launch as competently as search for them. In some cases, you likewise pull off not discover the revelation Toyota Land Cruiser Prado 150 Owner Manual that you are looking for. It will extremely squander the time.

However below, with you visit this web page, it will be so completely easy to acquire as competently as download lead Toyota Land Cruiser Prado 150 Owner Manual

It will not agree to many mature as we accustom before. You can get it though performance something else at house and even in your workplace. therefore easy! So, are you question? Just exercise just what we meet the expense of under as competently as review **Toyota Land Cruiser Prado 150 Owner Manual** what you taking into account to read!

https://letsgetcooking.org.uk/files/uploaded-files/Download_PDFS/write%20a%20book%20fast.pdf

Table of Contents Toyota Land Cruiser Prado 150 Owner Manual

1. Understanding the eBook Toyota Land Cruiser Prado 150 Owner Manual
 - The Rise of Digital Reading Toyota Land Cruiser Prado 150 Owner Manual
 - Advantages of eBooks Over Traditional Books
2. Identifying Toyota Land Cruiser Prado 150 Owner Manual
 - Exploring Different Genres
 - Considering Fiction vs. Non-Fiction
 - Determining Your Reading Goals
3. Choosing the Right eBook Platform
 - Popular eBook Platforms
 - Features to Look for in an Toyota Land Cruiser Prado 150 Owner Manual
 - User-Friendly Interface
4. Exploring eBook Recommendations from Toyota Land Cruiser Prado 150 Owner Manual

- Personalized Recommendations
 - Toyota Land Cruiser Prado 150 Owner Manual User Reviews and Ratings
 - Toyota Land Cruiser Prado 150 Owner Manual and Bestseller Lists
5. Accessing Toyota Land Cruiser Prado 150 Owner Manual Free and Paid eBooks
 - Toyota Land Cruiser Prado 150 Owner Manual Public Domain eBooks
 - Toyota Land Cruiser Prado 150 Owner Manual eBook Subscription Services
 - Toyota Land Cruiser Prado 150 Owner Manual Budget-Friendly Options
 6. Navigating Toyota Land Cruiser Prado 150 Owner Manual eBook Formats
 - ePub, PDF, MOBI, and More
 - Toyota Land Cruiser Prado 150 Owner Manual Compatibility with Devices
 - Toyota Land Cruiser Prado 150 Owner Manual Enhanced eBook Features
 7. Enhancing Your Reading Experience
 - Adjustable Fonts and Text Sizes of Toyota Land Cruiser Prado 150 Owner Manual
 - Highlighting and Note-Taking Toyota Land Cruiser Prado 150 Owner Manual
 - Interactive Elements Toyota Land Cruiser Prado 150 Owner Manual
 8. Staying Engaged with Toyota Land Cruiser Prado 150 Owner Manual
 - Joining Online Reading Communities
 - Participating in Virtual Book Clubs
 - Following Authors and Publishers Toyota Land Cruiser Prado 150 Owner Manual
 9. Balancing eBooks and Physical Books Toyota Land Cruiser Prado 150 Owner Manual
 - Benefits of a Digital Library
 - Creating a Diverse Reading Collection Toyota Land Cruiser Prado 150 Owner Manual
 10. Overcoming Reading Challenges
 - Dealing with Digital Eye Strain
 - Minimizing Distractions
 - Managing Screen Time
 11. Cultivating a Reading Routine Toyota Land Cruiser Prado 150 Owner Manual
 - Setting Reading Goals Toyota Land Cruiser Prado 150 Owner Manual
 - Carving Out Dedicated Reading Time
 12. Sourcing Reliable Information of Toyota Land Cruiser Prado 150 Owner Manual

- Fact-Checking eBook Content of Toyota Land Cruiser Prado 150 Owner Manual
 - Distinguishing Credible Sources
13. Promoting Lifelong Learning
- Utilizing eBooks for Skill Development
 - Exploring Educational eBooks
14. Embracing eBook Trends
- Integration of Multimedia Elements
 - Interactive and Gamified eBooks

Toyota Land Cruiser Prado 150 Owner Manual Introduction

In the digital age, access to information has become easier than ever before. The ability to download Toyota Land Cruiser Prado 150 Owner Manual has revolutionized the way we consume written content. Whether you are a student looking for course material, an avid reader searching for your next favorite book, or a professional seeking research papers, the option to download Toyota Land Cruiser Prado 150 Owner Manual has opened up a world of possibilities. Downloading Toyota Land Cruiser Prado 150 Owner Manual provides numerous advantages over physical copies of books and documents. Firstly, it is incredibly convenient. Gone are the days of carrying around heavy textbooks or bulky folders filled with papers. With the click of a button, you can gain immediate access to valuable resources on any device. This convenience allows for efficient studying, researching, and reading on the go. Moreover, the cost-effective nature of downloading Toyota Land Cruiser Prado 150 Owner Manual has democratized knowledge. Traditional books and academic journals can be expensive, making it difficult for individuals with limited financial resources to access information. By offering free PDF downloads, publishers and authors are enabling a wider audience to benefit from their work. This inclusivity promotes equal opportunities for learning and personal growth. There are numerous websites and platforms where individuals can download Toyota Land Cruiser Prado 150 Owner Manual. These websites range from academic databases offering research papers and journals to online libraries with an expansive collection of books from various genres. Many authors and publishers also upload their work to specific websites, granting readers access to their content without any charge. These platforms not only provide access to existing literature but also serve as an excellent platform for undiscovered authors to share their work with the world. However, it is essential to be cautious while downloading Toyota Land Cruiser Prado 150 Owner Manual. Some websites may offer pirated or illegally obtained copies of copyrighted material. Engaging in such activities not only violates copyright laws but also undermines the efforts of authors, publishers, and researchers. To ensure ethical downloading, it is advisable to utilize reputable websites that prioritize the legal distribution of content. When downloading Toyota Land Cruiser Prado 150

Owner Manual, users should also consider the potential security risks associated with online platforms. Malicious actors may exploit vulnerabilities in unprotected websites to distribute malware or steal personal information. To protect themselves, individuals should ensure their devices have reliable antivirus software installed and validate the legitimacy of the websites they are downloading from. In conclusion, the ability to download Toyota Land Cruiser Prado 150 Owner Manual has transformed the way we access information. With the convenience, cost-effectiveness, and accessibility it offers, free PDF downloads have become a popular choice for students, researchers, and book lovers worldwide. However, it is crucial to engage in ethical downloading practices and prioritize personal security when utilizing online platforms. By doing so, individuals can make the most of the vast array of free PDF resources available and embark on a journey of continuous learning and intellectual growth.

FAQs About Toyota Land Cruiser Prado 150 Owner Manual Books

What is a Toyota Land Cruiser Prado 150 Owner Manual PDF? A PDF (Portable Document Format) is a file format developed by Adobe that preserves the layout and formatting of a document, regardless of the software, hardware, or operating system used to view or print it. **How do I create a Toyota Land Cruiser Prado 150 Owner Manual PDF?** There are several ways to create a PDF: Use software like Adobe Acrobat, Microsoft Word, or Google Docs, which often have built-in PDF creation tools. Print to PDF: Many applications and operating systems have a "Print to PDF" option that allows you to save a document as a PDF file instead of printing it on paper. Online converters: There are various online tools that can convert different file types to PDF. **How do I edit a Toyota Land Cruiser Prado 150 Owner Manual PDF?** Editing a PDF can be done with software like Adobe Acrobat, which allows direct editing of text, images, and other elements within the PDF. Some free tools, like PDFescape or Smallpdf, also offer basic editing capabilities. **How do I convert a Toyota Land Cruiser Prado 150 Owner Manual PDF to another file format?** There are multiple ways to convert a PDF to another format: Use online converters like Smallpdf, Zamzar, or Adobe Acrobats export feature to convert PDFs to formats like Word, Excel, JPEG, etc. Software like Adobe Acrobat, Microsoft Word, or other PDF editors may have options to export or save PDFs in different formats. **How do I password-protect a Toyota Land Cruiser Prado 150 Owner Manual PDF?** Most PDF editing software allows you to add password protection. In Adobe Acrobat, for instance, you can go to "File" -> "Properties" -> "Security" to set a password to restrict access or editing capabilities. Are there any free alternatives to Adobe Acrobat for working with PDFs? Yes, there are many free alternatives for working with PDFs, such as: LibreOffice: Offers PDF editing features. PDFsam: Allows splitting, merging, and editing PDFs. Foxit Reader: Provides basic PDF viewing and editing capabilities. How do I compress a PDF file? You can use online tools like Smallpdf, ILovePDF, or desktop software like Adobe

Acrobat to compress PDF files without significant quality loss. Compression reduces the file size, making it easier to share and download. Can I fill out forms in a PDF file? Yes, most PDF viewers/editors like Adobe Acrobat, Preview (on Mac), or various online tools allow you to fill out forms in PDF files by selecting text fields and entering information. Are there any restrictions when working with PDFs? Some PDFs might have restrictions set by their creator, such as password protection, editing restrictions, or print restrictions. Breaking these restrictions might require specific software or tools, which may or may not be legal depending on the circumstances and local laws.

Find Toyota Land Cruiser Prado 150 Owner Manual :

write a book fast

[wsu study guide](#)

[ws 10 5 surface area of cylinders](#)

[www foodnetwork com food cda recipe print](#)

[ww2 study guide answers](#)

[wow pro blood elf leveling guide](#)

[wyne and chocolate citizen soldier series book english edition](#)

[writers choice grammer workbook 10 answer key](#)

[ww1 on the homefront united streaming](#)

[x10 tm751 owners manual](#)

[wyoming revisited rephotographing the scenes of joseph e stimson](#)

[wrong a themed anthology](#)

writing poems by michelle boisseau 8th edition

[write essay about a medical assistant](#)

wv public service commission questions

Toyota Land Cruiser Prado 150 Owner Manual :

[walking writing and performance by roberta mock new - Apr 10 2023](#)

[web walking writing and performance autobiographical texts ebook written by roberta mock read this book using google play books app on your pc android ios devices](#)

[walking writing and performance autobiographical texts - Jun 12 2023](#)

web this collection charts three projects by performance makers who generate autobiographical writing by taking walks it includes performance texts and photographs as well as

walking writing and performance by roberta mock overdrive - Jul 01 2022

web this collection charts three projects by performance makers who generate autobiographical writing by taking walks it includes performance texts and photographs as well as

how to write while you walk medium - Mar 29 2022

web the library about new submission submission guide search guide repository policy contact statistics

walking writing and performance autobiographical texts by - Sep 22 2021

book review walking writing and performance semantic scholar - Feb 08 2023

web feb 23 2011 this collection charts three projects by performance makers who generate autobiographical writing by taking walks it includes performance texts and

walking writing and performance by roberta mock - Sep 03 2022

web this collection charts three projects by performers who generate autobiographical writing by walking through inspirational landscapes included in the book are the full texts of the

walking writing and performance intellect books - Sep 15 2023

web oct 15 2009 walking writing and performance autobiographical texts by deirdre heddon carl lavery and phil smith this collection charts three projects by performers

walking writing and performance the university of - Aug 14 2023

web jul 12 2013 walking writing and performance autobiographical texts by deirdre heddon carl lavery and phil smith amazon co uk mock roberta 9781841501550

cma awards 2023 complete list of winners best and worst - Nov 24 2021

web 9 hours ago wall street bosses turn to ai to help write performance reviews banks look to implement workday s ai software in coming months finance chiefs see ai

walking writing and performance autobiographical texts - Mar 09 2023

web walking writing performance is a set of four autobiographical texts for performance written by three writers each writer includes an essay which describes the experience

walking writing and performance amazon singapore - Oct 16 2023

web walking writing and performance autobiographical texts by deirdre heddon carl lavery and phil smith mock roberta amazon sg books

walking writing and performance ebook by roberta mock hoopla - May 31 2022

web this collection charts three projects by performance makers who generate autobiographical writing by taking walks it includes performance texts and photographs as well as

wall street bosses turn to ai to help write performance reviews - Oct 24 2021

web jan 1 2009 this collection charts three projects by performance makers who generate autobiographical writing by taking walks it includes performance texts and

best treadmills for walking 2023 forbes vetted - Dec 26 2021

web nov 9 2023 lainey wilson won entertainer of the year while luke combs and tracy chapman won awards for fast car by emily yahr november 9 2023 at 1 46 a m

writing and walking the writing and learning center - Jan 27 2022

web 50 minutes ago the best treadmills for walking blend innovation and performance to help you stay active step into fitness with one of these top models subscribe to newsletters

walking writing and performance google books - Dec 06 2022

web this collection charts three projects by performance makers who generate autobiographical writing by taking walks it includes performance texts and

walking writing and performance autobiographical text - Aug 02 2022

web jan 1 2009 this collection charts three projects by performance makers who generate autobiographical writing by taking walks it includes performance texts and

walking writing and performance on apple books - Jan 07 2023

web jan 1 2009 walking writing and performance autobiographical texts by deirdre heddon roberta mock google books this collection charts three projects by

walking writing and performance autobiographical texts - Feb 25 2022

web feb 4 2021 the coolest part of making walks a part of my writing process is i ve realized that certain things i see outside become cues for me on one of my walking paths

walking writing and performance google books - Nov 05 2022

web august 3 2021 54 comments reading time less than 3 minutes there are many benefits of walking for writers staying in shape is one of them but becoming more

walking writing and performance autobiographical texts - May 11 2023

web oct 15 2009 buy walking writing and performance autobiographical texts by deirdre heddon carl lavery and phil smith by roberta mock our new books come with free

walking writing and performance autobiographical texts by - Jul 13 2023

web this collection charts three projects by performers who generate autobiographical writing by walking through inspirational landscapes included in the book are the full texts of the

walking writing and performance by roberta mock ebook - Apr 29 2022

web if you complete four writing sets of at least 30 minutes that is 2 hours of focused and attentive writing if you complete four walks of at least ½ mile that is 2 miles of walking

the benefits of walking for writers publication coach - Oct 04 2022

web oct 15 2009 this book allows for comparisons of three very contemporary performance events and their making extending the possibilities of published performance texts

wanderkarte wk25 zittauer gebirge bl 51 topographische - Feb 16 2022

web wanderkarte wk25 zittauer gebirge bl 51 topographische sonderkarten sachsen mit oder neisse radweg und umgebinderadweg by staatsbetrieb geobasisinformation u vermessung sachsen geosn keywords neisse by vermessung und zittauer bl geosn sachsen wanderkarte gebirge oder sachsen 51 wk25 radweg mit topographische staatsbetrieb umgebinderadweg

kitzbüchel wander rad mtb und tourenkarte 1 25000 mit - Mar 20 2022

web kitzbüchel wander rad mtb und tourenkarte 1 25000 mit wanderführer und panorama mayr wanderkarte isbn 9783854919148 kostenloser versand für alle bücher mit versand und verkauf duch amazon

wanderkarte wk25 zittauer gebirge bl 51 topographische - Feb 28 2023

web wanderkarte wk25 zittauer gebirge bl 51 ab 2 99 may 29th 2020 wanderkarte wk25 zittauer gebirge bl 51 topographische sonderkarten mit neisse radweg und umgebinderadweg alle angebote vergleichen bester preis 2 99 vom 28 10 2016 media joomlashine com 1 2

wanderkarte wk25 zittauer gebirge bl 51 topographische - Dec 29 2022

web wanderkarte wk25 zittauer gebirge bl 51 topographische sonderkarten sachsen mit oder neisse radweg und umgebinderadweg by staatsbetrieb geobasisinformation u vermessung sachsen geosn jetpack theaoi com

wanderkarte wk25 zittauer gebirge bl 51 topograph pdf pdf - Jul 24 2022

web may 15 2023 wanderkarte wk25 zittauer gebirge bl 51 topograph pdf when people should go to the books stores search introduction by shop shelf by shelf it is truly problematic this is why we present the ebook compilations in this website it will certainly ease you to see guide wanderkarte wk25 zittauer gebirge bl 51 topograph pdf as

wanderkarte wk25 zittauer gebirge bl 51 topographische - Jun 03 2023

web wanderkarte wk25 zittauer gebirge bl 51 topographische sonderkarten sachsen mit oder neisse radweg und

umgebinderadweg by staatsbetrieb geobasisinformation u vermessung sachsen geosn author mike goebel from support taustrust org

wanderkarte wk25 zittauer gebirge bl 51 topograph copy - Aug 25 2022

web wanderkarte wk25 zittauer gebirge bl 51 topograph an index to norfolk topography apr 03 2023 topographic mapping sep 03 2020 this book is addressed to students and professionals and it is aimed to cover as much as possible the wider region of topographic mapping as it has been evolved into a modern

wanderkarte wk25 zittauer gebirge bl 51 topographische - Sep 06 2023

web wanderkarte wk25 zittauer gebirge bl 51 ab 2 99 may 29th 2020 wanderkarte wk25 zittauer gebirge bl 51 topographische sonderkarten mit neiße radweg und umgebinderadweg alle angebote vergleichen bester preis 2 99 vom 28 10 2016 topographische sonderkarte sachsen lausitzer bergland

wanderkarte wk25 zittauer gebirge bl 51 topograph copy - May 22 2022

web wanderkarte wk25 zittauer gebirge bl 51 topograph 3 3 a guided tour through ayckbourn country ashland vine climate models show that climate change is not a uniform process areas of increased temperature are situated near areas of decreased temperature areas with increased precipitation adjoin areas of drought this is one of the

naturpark zittauer gebirge 1 25 000 freytag berndt - Apr 01 2023

web topographische karte sachsen 51 naturpark zittauer gebirge 1 25 000 landesamtvermessungsamt sachsen seien sie der erste der dieses produkt bewertet lieferbar lieferung in 7 bis 14 tagen stück in den warenkorb auf die wunschliste tags

ebook wanderkarte wk25 zittauer gebirge bl 51 topograph - Jul 04 2023

web wanderkarte wk25 zittauer gebirge bl 51 topograph an index to norfolk topography apr 03 2023 topographic mapping sep 03 2020 this book is addressed to students and professionals and it is aimed to cover as much as possible the wider region of topographic mapping as it has been evolved into a modern field called geospatial

wanderkarte wk25 zittauer gebirge bl 51 topographische - Aug 05 2023

web wanderkarte wk25 zittauer gebirge bl 51 topographische sonderkarten sachsen mit oder neiße radweg und umgebinderadweg by staatsbetrieb geobasisinformation u vermessung sachsen geosn author mike goebel from server bertolotto com

wanderkarte wk25 zittauer gebirge bl 51 topograph - Apr 20 2022

web wanderkarte wk25 zittauer gebirge bl 51 topograph as recognized adventure as capably as experience more or less lesson amusement as competently as concord can be gotten by just checking out a book wanderkarte wk25

wanderkarte wk25 zittauer gebirge bl 51 topographische - May 02 2023

web wanderkarte wk25 zittauer gebirge bl 51 topographische sonderkarten sachsen mit oder neiße radweg und

umgebinderadweg staatsbetrieb geobasisinformation u vermessung sachsen geosn isbn 9783861700128 kostenloser versand für alle bücher mit versand und verkauf duch amazon

wanderkarte wk25 zittauer gebirge bl 51 topographische - Oct 07 2023

web wanderkarte wk25 zittauer gebirge bl 51 ab 2 99 may 29th 2020 wanderkarte wk25 zittauer gebirge bl 51

topographische sonderkarten mit neisse radweg und umgebinderadweg alle angebote vergleichen bester preis 2 99 vom 28 10 2016 notmybeautifulhouse june 3rd 2020 staatsbetrieb geobasisinformation u vermessung

wanderkarte wk25 zittauer gebirge bl 51 topograph 2023 - Jun 22 2022

web wanderkarte wk25 zittauer gebirge bl 51 topograph it is your certainly own grow old to pretense reviewing habit in the middle of guides you could enjoy now is wanderkarte wk25 zittauer gebirge bl 51 topograph below e e title wanderkarte wk25 zittauer gebirge bl 51 topograph 2023

wanderkarte wk25 zittauer gebirge bl 51 topograph pdf - Sep 25 2022

web jun 25 2023 wanderkarte wk25 zittauer gebirge bl 51 topograph pdf right here we have countless books wanderkarte wk25 zittauer gebirge bl 51 topograph pdf and collections to check out we additionally manage to pay for variant types and plus type of the books to browse the adequate book fiction history novel scientific research as

landkarte zittauergebirge info de - Oct 27 2022

web vorstellung des zittauer gebriges seiner gastgeber und der sehenswürdigkeiten

wanderkarte wk25 zittauer gebirge bl 51 topographische - Nov 27 2022

web wanderkarte wk25 zittauer gebirge bl 51 topographische sonderkarten sachsen mit oder neisse radweg und umgebinderadweg pdf staatsbetrieb geobasisinformation u vermessung sachsen geosn topographische sonderkarte sachsen lausitzer bergland bautzen wilthen bl 48 wanderkarte 1 25000 pdf wanderkarte wk25 zittauer gebirge bl 51 topographische wanderkarte wk25 zittauer gebirge bl 51 topograph pdf gcc - Jan 30 2023

web mar 27 2023 this info acquire the wanderkarte wk25 zittauer gebirge bl 51 topograph pdf partner that we have enough money here and check out the link you could buy guide wanderkarte wk25 zittauer gebirge bl 51 topograph pdf or get it as soon as feasible you could quickly download this wanderkarte wk25 zittauer gebirge bl 51

44 questions with answers in plato science topic - Feb 09 2022

web oct 26 2023 justice is not the right of the stronger but the effective harmony of the whole for socrates and plato there are four primary virtues courage moderation wisdom and justice plato states that

plato course world history semester a v3 0 post test - Apr 25 2023

web may 29 2022 plato course world history semester a v3 0 post test the age of revolution question 1 of 37 instructions select the correct answer how did humanism foster the scientific revolution o humanism promoted the study of classical

works that stimulated exploration of science

[plato world history post test answers test naf](#) - Jul 17 2022

web jun 5 2023 this plato world history post test answers but end up in damaging downloads hence straightforward so are you question just perform exercises just what we meet the expenditure of under as skillfully as review plato world history post test answers what you like to download this is why we offer the ebook

plato answers for world history post test copy uniport edu - Mar 13 2022

web may 15 2023 plato answers for world history post test 1 4 downloaded from uniport edu ng on may 15 2023 by guest plato answers for world history post test recognizing the mannerism ways to acquire this ebook plato answers for world history post test is additionally useful you have remained in right site to start getting this info

plato answers for world history post test 2022 - Aug 18 2022

web plato answers for world history post test meno world history the interpretation of plato s republic dialogues of plato linguistics of history the dialogues of plato apology reclaiming the canon plato the republic the republic of plato meno plato and the other companions of sokrates etc what the republic the republic of plato

[plato world history post test answers pdf videos bookbrush](#) - May 27 2023

web plato world history unit 2 activity flashcards quizlet plato world history flashcards and study sets quizlet are plato answer keys available online reference com

plato answers for world history post test full pdf stage gapinc - Oct 20 2022

web 2 plato answers for world history post test 2022 12 05 lessons taking approximately 30 minutes each the final lesson of the week is an exam covering the week s instruction student questions are organized in the back for easy use in testing and review teachers parents or students can grade assignments daily or weekly as the teacher you will

plato world history post test answers pdf uniport edu - Jul 29 2023

web jul 20 2023 plato world history post test answers 1 6 downloaded from uniport edu ng on july 20 2023 by guest plato world history post test answers thank you categorically much for downloading plato world history post test answers maybe you have knowledge that people have look numerous times for their favorite books gone this plato world

free plato world history post test answers - Mar 25 2023

web apr 2 2023 plato world history post test answers is reachable in our digital library an online access to it is set as public in view of that you can download it instantly our digital library saves in complex countries allowing you to acquire the most less latency time to download any of our books with this

[plato world history git 02 infra lede project org](#) - Apr 13 2022

web sep 15 2023 world history a unit 2 post test plato world history answers dslbot de may 16th 2018 read and download

plato world history answers free ebooks in pdf format flashpoint tp franz kafka a biography farewell waltz fine woodworking on the plato world history semester 2 answer key share

how to access unit post test answer keys for plato courses - Aug 30 2023

web article id 6397 prouct plato learning environment ple issue how can a teacher or administrator access the unit posttest answer e s or plato ourses in ple esolution plato ourses teacher ateria s or ple inc uding o ine tests are avai a e without

5 plato quizzes questions answers trivia proprofs - May 15 2022

web mar 22 2023 plato was just more than a philosopher plato s views on math science art logic and life in general helped to shape western culture bring the ancient past to life with this ponder your deepest thoughts while taking our quiz dedicated to

plato world history post test answers pdf legacy theoc - Jun 27 2023

web plato world history unit 2 activity flashcards quizlet does anyone know the answers to plato s world history b are plato answer keys available online reference com

post test world war ii flashcards quizlet - Sep 30 2023

web answers to plato edmentum history test terms in this set 34 peasant strikes and rural unrest during the red years led to the rise of nationalism in and helped seize power italy benito mussolini

plato world history post test answers help discoveram - Nov 20 2022

web may 27 2023 plato world history post test answers free ebooks plato world history a unit 2 post test answers does anyone know the answers to plato s world history b plato answers for world history post test xitcon de plato answers for world history post test doctor sonati com plato world history a unit 2 post test

plato answers for world history post test copy - Dec 22 2022

web plato answers for world history post test 1 plato answers for world history post test solved plato course world history semester a v3 0 chegg accessing answer keys in plato ple platoweb world history answer key plato answers for world history symsys03 stanford edu platoweb answer key world history

plato answers flashcards quizlet - Feb 21 2023

web plato answers 3 0 2 reviews the term used to capture the essence of the ongoing exchange of ideas across the history of the western philosophical tradition is click the card to flip the great conversation click the card to flip 1 17

free pdf download plato answers for world history post test pdf - Jan 23 2023

web plato answers for world history post test pdf right here we have countless books plato answers for world history post test pdf and collections to check out we additionally come up with the money for variant types and

plato answers for world history post test pdf uniport edu - Sep 18 2022

web mar 29 2023 you have remained in right site to start getting this info get the plato answers for world history post test member that we give here and check out the link you could buy guide plato answers for world history post test or acquire it as soon as feasible you could quickly download this plato answers for world history post test

plato answers for world history post test full pdf - Jun 15 2022

web platoweb world history answer keyread free plato answers world history b plato answers world history b challenging the brain to think bigger and faster can be undergone by some ways experiencing listening to the extra experience adventuring studying training and more practical activities may help you to improve