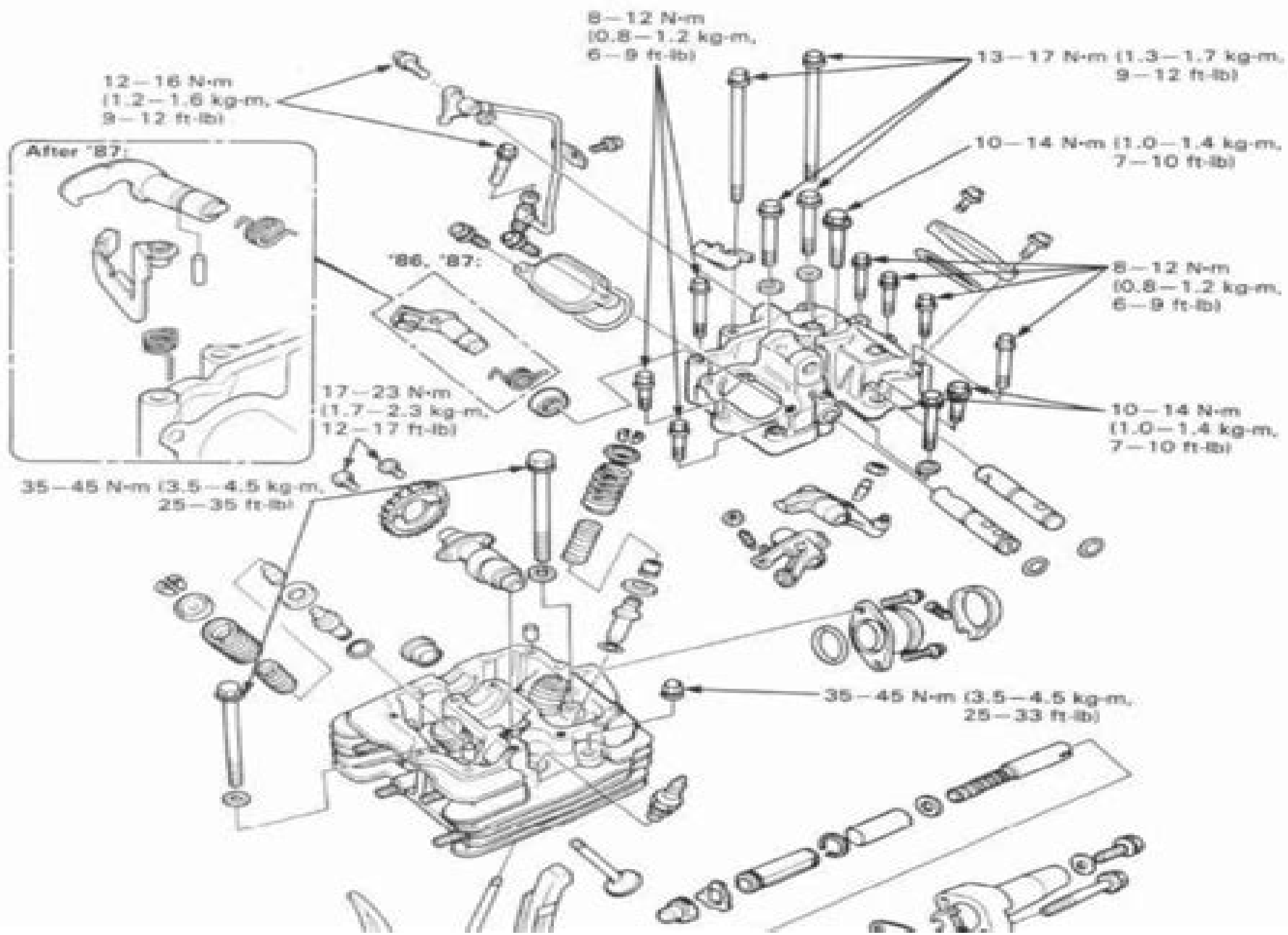


CYLINDER HEAD/VALVES



Service Manual For 2001 350 Fourtrax

Lingjun Ying



Service Manual For 2001 350 Fourtrax:

If you ally obsession such a referred **Service Manual For 2001 350 Fourtrax** book that will meet the expense of you worth, acquire the completely best seller from us currently from several preferred authors. If you desire to hilarious books, lots of novels, tale, jokes, and more fictions collections are as a consequence launched, from best seller to one of the most current released.

You may not be perplexed to enjoy all books collections Service Manual For 2001 350 Fourtrax that we will completely offer. It is not as regards the costs. Its just about what you infatuation currently. This Service Manual For 2001 350 Fourtrax, as one of the most effective sellers here will categorically be in the midst of the best options to review.

https://letsgetcooking.org.uk/About/Resources/default.aspx/oracle_11g_sql_student_guide_volume_1.pdf

Table of Contents Service Manual For 2001 350 Fourtrax

1. Understanding the eBook Service Manual For 2001 350 Fourtrax
 - The Rise of Digital Reading Service Manual For 2001 350 Fourtrax
 - Advantages of eBooks Over Traditional Books
2. Identifying Service Manual For 2001 350 Fourtrax
 - Exploring Different Genres
 - Considering Fiction vs. Non-Fiction
 - Determining Your Reading Goals
3. Choosing the Right eBook Platform
 - Popular eBook Platforms
 - Features to Look for in an Service Manual For 2001 350 Fourtrax
 - User-Friendly Interface
4. Exploring eBook Recommendations from Service Manual For 2001 350 Fourtrax
 - Personalized Recommendations
 - Service Manual For 2001 350 Fourtrax User Reviews and Ratings
 - Service Manual For 2001 350 Fourtrax and Bestseller Lists

5. Accessing Service Manual For 2001 350 Fourtrax Free and Paid eBooks
 - Service Manual For 2001 350 Fourtrax Public Domain eBooks
 - Service Manual For 2001 350 Fourtrax eBook Subscription Services
 - Service Manual For 2001 350 Fourtrax Budget-Friendly Options
6. Navigating Service Manual For 2001 350 Fourtrax eBook Formats
 - ePub, PDF, MOBI, and More
 - Service Manual For 2001 350 Fourtrax Compatibility with Devices
 - Service Manual For 2001 350 Fourtrax Enhanced eBook Features
7. Enhancing Your Reading Experience
 - Adjustable Fonts and Text Sizes of Service Manual For 2001 350 Fourtrax
 - Highlighting and Note-Taking Service Manual For 2001 350 Fourtrax
 - Interactive Elements Service Manual For 2001 350 Fourtrax
8. Staying Engaged with Service Manual For 2001 350 Fourtrax
 - Joining Online Reading Communities
 - Participating in Virtual Book Clubs
 - Following Authors and Publishers Service Manual For 2001 350 Fourtrax
9. Balancing eBooks and Physical Books Service Manual For 2001 350 Fourtrax
 - Benefits of a Digital Library
 - Creating a Diverse Reading Collection Service Manual For 2001 350 Fourtrax
10. Overcoming Reading Challenges
 - Dealing with Digital Eye Strain
 - Minimizing Distractions
 - Managing Screen Time
11. Cultivating a Reading Routine Service Manual For 2001 350 Fourtrax
 - Setting Reading Goals Service Manual For 2001 350 Fourtrax
 - Carving Out Dedicated Reading Time
12. Sourcing Reliable Information of Service Manual For 2001 350 Fourtrax
 - Fact-Checking eBook Content of Service Manual For 2001 350 Fourtrax
 - Distinguishing Credible Sources
13. Promoting Lifelong Learning

- Utilizing eBooks for Skill Development
 - Exploring Educational eBooks
14. Embracing eBook Trends
- Integration of Multimedia Elements
 - Interactive and Gamified eBooks

Service Manual For 2001 350 Fourtrax Introduction

In this digital age, the convenience of accessing information at our fingertips has become a necessity. Whether its research papers, eBooks, or user manuals, PDF files have become the preferred format for sharing and reading documents. However, the cost associated with purchasing PDF files can sometimes be a barrier for many individuals and organizations. Thankfully, there are numerous websites and platforms that allow users to download free PDF files legally. In this article, we will explore some of the best platforms to download free PDFs. One of the most popular platforms to download free PDF files is Project Gutenberg. This online library offers over 60,000 free eBooks that are in the public domain. From classic literature to historical documents, Project Gutenberg provides a wide range of PDF files that can be downloaded and enjoyed on various devices. The website is user-friendly and allows users to search for specific titles or browse through different categories. Another reliable platform for downloading Service Manual For 2001 350 Fourtrax free PDF files is Open Library. With its vast collection of over 1 million eBooks, Open Library has something for every reader. The website offers a seamless experience by providing options to borrow or download PDF files. Users simply need to create a free account to access this treasure trove of knowledge. Open Library also allows users to contribute by uploading and sharing their own PDF files, making it a collaborative platform for book enthusiasts. For those interested in academic resources, there are websites dedicated to providing free PDFs of research papers and scientific articles. One such website is Academia.edu, which allows researchers and scholars to share their work with a global audience. Users can download PDF files of research papers, theses, and dissertations covering a wide range of subjects. Academia.edu also provides a platform for discussions and networking within the academic community. When it comes to downloading Service Manual For 2001 350 Fourtrax free PDF files of magazines, brochures, and catalogs, Issuu is a popular choice. This digital publishing platform hosts a vast collection of publications from around the world. Users can search for specific titles or explore various categories and genres. Issuu offers a seamless reading experience with its user-friendly interface and allows users to download PDF files for offline reading. Apart from dedicated platforms, search engines also play a crucial role in finding free PDF files. Google, for instance, has an advanced search feature that allows users to filter results by file type. By specifying the file type as "PDF," users can find websites that offer free PDF downloads on a specific topic. While downloading Service Manual For 2001 350

Fourtrax free PDF files is convenient, its important to note that copyright laws must be respected. Always ensure that the PDF files you download are legally available for free. Many authors and publishers voluntarily provide free PDF versions of their work, but its essential to be cautious and verify the authenticity of the source before downloading Service Manual For 2001 350 Fourtrax. In conclusion, the internet offers numerous platforms and websites that allow users to download free PDF files legally. Whether its classic literature, research papers, or magazines, there is something for everyone. The platforms mentioned in this article, such as Project Gutenberg, Open Library, Academia.edu, and Issuu, provide access to a vast collection of PDF files. However, users should always be cautious and verify the legality of the source before downloading Service Manual For 2001 350 Fourtrax any PDF files. With these platforms, the world of PDF downloads is just a click away.

FAQs About Service Manual For 2001 350 Fourtrax Books

What is a Service Manual For 2001 350 Fourtrax PDF? A PDF (Portable Document Format) is a file format developed by Adobe that preserves the layout and formatting of a document, regardless of the software, hardware, or operating system used to view or print it. **How do I create a Service Manual For 2001 350 Fourtrax PDF?** There are several ways to create a PDF: Use software like Adobe Acrobat, Microsoft Word, or Google Docs, which often have built-in PDF creation tools. Print to PDF: Many applications and operating systems have a "Print to PDF" option that allows you to save a document as a PDF file instead of printing it on paper. Online converters: There are various online tools that can convert different file types to PDF. **How do I edit a Service Manual For 2001 350 Fourtrax PDF?** Editing a PDF can be done with software like Adobe Acrobat, which allows direct editing of text, images, and other elements within the PDF. Some free tools, like PDFescape or Smallpdf, also offer basic editing capabilities. **How do I convert a Service Manual For 2001 350 Fourtrax PDF to another file format?** There are multiple ways to convert a PDF to another format: Use online converters like Smallpdf, Zamzar, or Adobe Acrobats export feature to convert PDFs to formats like Word, Excel, JPEG, etc. Software like Adobe Acrobat, Microsoft Word, or other PDF editors may have options to export or save PDFs in different formats. **How do I password-protect a Service Manual For 2001 350 Fourtrax PDF?** Most PDF editing software allows you to add password protection. In Adobe Acrobat, for instance, you can go to "File" -> "Properties" -> "Security" to set a password to restrict access or editing capabilities. Are there any free alternatives to Adobe Acrobat for working with PDFs? Yes, there are many free alternatives for working with PDFs, such as: LibreOffice: Offers PDF editing features. PDFsam: Allows splitting, merging, and editing PDFs. Foxit Reader: Provides basic PDF viewing and editing capabilities. How do I compress a PDF file? You can use online tools like Smallpdf, ILovePDF, or desktop software like Adobe Acrobat to compress PDF files without

significant quality loss. Compression reduces the file size, making it easier to share and download. Can I fill out forms in a PDF file? Yes, most PDF viewers/editors like Adobe Acrobat, Preview (on Mac), or various online tools allow you to fill out forms in PDF files by selecting text fields and entering information. Are there any restrictions when working with PDFs? Some PDFs might have restrictions set by their creator, such as password protection, editing restrictions, or print restrictions. Breaking these restrictions might require specific software or tools, which may or may not be legal depending on the circumstances and local laws.

Find Service Manual For 2001 350 Fourtrax :

oracle 11g sql student guide volume 1

operating manual for kindle fire

operation manual for daisy winchester 800x

operator manual for bear 1469 brake lathe

~~operating system 2010 question paper meca~~

[operator manual for 1482 combine](#)

oprabs turkey meatballs recipe

operators manual for farmall 806

operators manual john deere x304

operation and parts manual finish thompson inc chemical

operators manual ec15b

~~oracle dataguard student guide~~

operations management heizer render 10th edition solutions manual

oracle applications framework personalization guide iprocurement

~~operatoraca acs manual carefusion~~

Service Manual For 2001 350 Fourtrax :

technical inquiries for api standard 650 welded tanks for oil - Apr 15 2022

web do the current rules in api 650 allow for a carbon steel tank to incorporate stainless steel components such as nozzles or an entire shell ring provided all requirements of api 650 are followed for each of the particular material types cs or ss used in the structure no for a carbon steel tank api 650 does not allow the use of

[api std 650 welded tanks for oil storage ihs markit](#) - Jun 29 2023

web api std 650 13th edition march 2020 welded tanks for oil storage general this standard establishes minimum requirements for material design fabrication erection and inspection for vertical cylindrical aboveground closed and open top welded storage tanks in various sizes and capacities for internal pressures approximating

api 650 2020 yumpu - Aug 20 2022

web sep 1 2020 api standard 650 thirteenth edition march 2020 api monogram program effective date september 1 2020 consult the most recent edition of the occupational safety and health administration osha u s department of test coupons shall be obtained adjacent to a tension test coupon

[recent developments in api storage tank standards to us epa](#) - Jul 19 2022

web american petroleum institute api standards 650 653 and 620 are the primary industry standards by which most aboveground welded storage tanks are designed constructed and maintained these standards address both newly constructed and existing aboveground storage tanks used in the petroleum petrochemical and chemical industries

[api std 650 welded tanks for oil storage globalspec](#) - Apr 27 2023

web mar 1 2020 welded tanks for oil storage general this standard establishes minimum requirements for material design fabrication erection and inspection for vertical cylindrical aboveground closed and open top welded storage tanks

[api std 650 2020 welded tanks for oil storage sai global store](#) - Jan 25 2023

web jan 3 2020 welded tanks for oil storage available format s hardcopy pdf superseded date 01 02 2021 language s english published date 01 03 2020 publisher american petroleum institute

[american petroleum institute](#) - Jul 31 2023

web the 13th edition of api standard 650 welded tanks for oil storage is a comprehensive document that provides the minimum requirements for the design fabrication erection and inspection of vertical cylindrical aboveground tanks it covers various sizes and capacities internal pressures materials and venting it also includes technical inquiries and

[api 650 12th 2013 pdf google drive google sheets](#) - Feb 11 2022

web view details request a review learn more

api std 650 standard for welded tanks for oil storage tanks - May 17 2022

web api std 650 standard for welded tanks for oil storage tanks api std 650 is a standard that establishes minimum requirements for material design fabrication erection and testing for vertical cylindrical aboveground closed and open top welded storage tanks in various sizes and capacities for internal pressures approximating

[api standard 650](#) - May 29 2023

web api welde twelfth e this standa material de vertical cyli welded stor internal pre internal pre plates but additional re only

to tank and to tank maximum d this standa adequate sa storage of p liquid produ establish a is intended size tank m intended to ordering fa to prohibit p purchasing other than t api org stan d tank dition

api api standard 650 13th ed - Sep 01 2023

web api standard 650 welded tanks for oil storage thirteenth edition has been published to ensure the safety sustainability and environmental performance of oil storage tanks the updated standard will help continue operational excellence and

api std 650 api standards store techstreet - Dec 24 2022

web mar 1 2020 api 650 and 653 set november 2014 api welded steel tanks for oil storage 12th edition includes errata 2013 and addenda 1 2014 addenda 2 2016 and addenda 3 2018 tank inspection repair alteration and reconstruction 5th edition set historical version

api 650 12th 2013 free download borrow and streaming internet archive - Mar 15 2022

web apr 11 2017 api 650 12th 2013 topics api 650 collection opensource api 650 welded steel tanks for oil storage addeddate 2017 04 11 00 08 00 identifier

api std 650 2020 err 1 2021 welded tanks for oil storage - Mar 27 2023

web jan 1 2021 current add to watchlist welded tanks for oil storage available format s hardcopy pdf language s english published date 01 01 2021 publisher american petroleum institute abstract general product information categories associated with this standard sub categories associated with this standard email this page print

api std 650 techstreet - Feb 23 2023

web mar 1 2020 api std 650 welded tanks for oil storage thirteenth edition includes errata 1 2021 standard by american petroleum institute 03 01 2020 amendments available view all product details most recent track it language available formats options availability priced from in usd secure pdf □ immediate download 612 00

api 650 welded tanks for oil storage inspectioneering - Oct 22 2022

web api 650 welded tanks for oil storage is a standard developed and published by the american petroleum institute api that establishes minimum requirements for the design fabrication erection and inspection of welded storage tanks this standard only applies to tanks with uniformly supported bottoms and to tanks in non refrigerated service

designing storage tanks digitalrefining - Jun 17 2022

web api 650 the api 650 code is entitled welded steel tanks for oil storage at the time of this the latest edition is the 12th addendum 2 january 2016 this code can be used for designs where the internal pressure is less than or equal to 2 5 psig these tanks have historically been used to house petroleum for use by chemical plants and power

api standard 653 - Jan 13 2022

web tank inspection repair alteration and reconstruction fifth edition november 2014 162 pages 235 00 productno c65305

this standard covers steel storage tanks built to api 650 and its predecessor api 12c it provides minimum requirements for maintaining the integrity of such tanks after they have been placed in service and

api 650 welded tanks for oil storage document center inc - Sep 20 2022

web complete current edition 13th edition welded tanks for oil storage march 1 2020 obsolete revision information 12th edition addendum 3 addendum 3 for 12th edition aug 1 2018 12th edition addendum 2 addendum 2 for 12th edition jan 1 2016 12th edition addendum 1 addendum 1 for 12th

13th edition of api standard 650 welded tanks for oil storage has - Nov 22 2022

web mar 26 2020 api standard 650 13th edition please be advised that the 13th edition of api standard 650 welded tanks for oil storage has been published the date of issue of this edition is march 2020 the monogram program effective date of this edition is september 1 2020

schlagzeilen die Österreich bewegten 2000 2010 weltbild - Aug 14 2023

web klappentext zu schlagzeilen die Österreich bewegten 2000 2010 am 11 september 2001 hielt die welt den atem an mit den anschlägen auf das world trade center

schlagzeilen die Österreich bewegten 2000 2010 hardcover - Mar 09 2023

web schlagzeilen die Österreich bewegten 2000 2010 hardcover 0 durchschnittliche bewertung 0 bewertungen bei goodreads hardcover isbn 10 3800076004 isbn 13

schlagzeilen die Österreich bewegten 2000 2010 hardcover - Dec 06 2022

web schlagzeilen die Österreich bewegten 2000 2010 9783800076000 abebooks items related to schlagzeilen die Österreich bewegten 2000 2010 schlagzeilen die

schlagzeilen die Österreich bewegten 1990 1999 weltbild - Jan 27 2022

web klappentext zu schlagzeilen die Österreich bewegten 1990 1999 die 90er jahre top storys und unvergessliche fotos am 31 august 1997 erschütterte lady dianas tod die

schlagzeilen die osterreich bewegten 2000 2010 pdf - Mar 29 2022

web schlagzeilen die osterreich bewegten 2000 2010 1 8 downloaded from uniport edu ng on june 11 2023 by guest schlagzeilen die osterreich bewegten 2000 2010 as

schlagzeilen die Österreich bewegten 2000 2010 hardcover - Nov 24 2021

web schlagzeilen die Österreich bewegten 2000 2010 bei abebooks de isbn 10 3800076004 isbn 13 9783800076000 hardcover

schlagzeilen die Österreich bewegten booklooker - Jun 12 2023

web schlagzeilen die Österreich bewegten 2000 2010 neue kronen zeitung budin christoph und christoph hrsrg matzl verlag

carl ueberreuter wien 2014 isbn

schlagzeilen die Österreich bewegten 2000 2010 hardcover - Oct 04 2022

web schlagzeilen die Österreich bewegten 2000 2010 matzl christoph budin christoph on amazon com au free shipping on eligible orders schlagzeilen die Österreich

Österreichische mediathek - Dec 26 2021

web 1970 1972 bruno kreisky wird bundeskanzler bei den 1971 folgenden wahlen erhält die spÖ die absolute stimmenmehrheit eine zeit vieler sozialpolitischer reformen durch

schlagzeilen die Österreich bewegten 2000 2010 weltbild - Feb 08 2023

web bücher bei weltbild jetzt schlagzeilen die Österreich bewegten 2000 2010 von christoph matzl versandkostenfrei bestellen bei weltbild ihrem bücher spezialisten

schlagzeilen die Österreich bewegten 2000 2010 book depository - Jul 01 2022

web aug 4 2014 book depository is the world s most international online bookstore offering over 20 million books with free delivery worldwide

schlagzeilen die Österreich bewegten 2000 2010 booklooker - Jul 13 2023

web schlagzeilen die Österreich bewegten 2000 2010 neue kronen zeitung budin christoph und christoph hrsg matzl verlag carl ueberreuter wien 2014 isbn

schlagzeilen die osterreich bewegten 2000 2010 pdf uniport edu - Feb 25 2022

web may 5 2023 schlagzeilen die osterreich bewegten 2000 2010 2 9 downloaded from uniport edu ng on may 5 2023 by guest reflections on the bases of continuum

schlagzeilen die Österreich bewegten 2000 2010 goodreads - May 31 2022

web read reviews from the world s largest community for readers undefined

schlagzeilen die Österreich bewegten 2000 2010 von christoph - Aug 02 2022

web schlagzeilen die Österreich bewegten 2000 2010 von christoph matzl 18 juli 2014 gebundene ausgabe isbn kostenloser versand für alle bücher mit versand und

schlagzeilen die Österreich bewegten 2000 2010 hardcover - Nov 05 2022

web buy schlagzeilen die Österreich bewegten 2000 2010 by isbn 9783800076000 from amazon s book store everyday low prices and free delivery on eligible orders

schlagzeilen die Österreich bewegten 2000 2010 bol com - May 11 2023

web schlagzeilen die Österreich bewegten 2000 2010 hardcover schlagzeilen die Österreich bewegten 2000 2010 christoph budin 9783800076000 boeken bol com

schlagzeilen die Österreich bewegten 2000 2010 hardcover - Apr 29 2022

web select the department you want to search in

schlagzeilen die Österreich bewegten 2000 2010 von matzl - Sep 03 2022

web bei der buchmarie schlagzeilen die Österreich bewegten 2000 2010 von matzl christoph gebraucht kaufen schneller plastikfreier versand professionell geprüfter zustand

schlagzeilen die Österreich bewegten 2000 2010 amazon de - Apr 10 2023

web schlagzeilen die Österreich bewegten 2000 2010 matzl christoph budin christoph isbn 9783800076000 kostenloser versand für alle bücher mit versand und verkauf

schlagzeilen die osterreich bewegten 2000 2010 pdf - Oct 24 2021

web apr 16 2023 schlagzeilen die osterreich bewegten 2000 2010 2 7 downloaded from uniport edu ng on april 16 2023 by guest that red vienna s proud tradition of social

schlagzeilen die Österreich bewegten 2000 2010 medimops - Jan 07 2023

web am 11 september 2001 hielt die welt den atem an mit den anschlägen auf das world trade center begann ein neues geopolitisches zeitalter geprägt vom kampf gegen den

hartzell propeller inc service bulletin - Jul 19 2022

web or replacement per the repair chapter of hartzell manual 113b non feathering propellers or hartzell manual 117d feathering propellers c reason warning unexplained vibration or grease leakage where the condition initiated suddenly demand immediate inspection for possible cracked hub for further

thetech insider com - Nov 10 2021

web thetech insider com

makerbook net - Dec 12 2021

web makerbook net

hc sb 61 118f rev 1 hartzell propeller - Apr 27 2023

web inspect the retention radius in accordance with procedures in the blade shank overhaul chapter of hartzell aluminum blade overhaul manual 133c 61 13 33 to establish acceptability and or extent of necessary rework hc sb 61 118f blades rework procedures for y shank aluminum blade bearing retention radius

hartzell propeller inc service letter - Jan 25 2023

web november 13 2009 this page transmits a revision to service letter hc sl 61 61y original dated may 9 69 revision a dated april 15 76 revision b dated september 10 76 revision c dated november 28 77 revision d dated february 23 78 revision e dated march 26 79 revision f dated august 31 79 revision g dated august 20 80

[hartzell overhaul manual 117d help environment harvard edu](#) - Jan 13 2022

web hartzell overhaul manual 117d thank you for downloading hartzell overhaul manual 117d as you may know people have look numerous times for their favorite novels like this hartzell overhaul manual 117d but end up in harmful downloads rather than enjoying a good book with a cup of coffee in the afternoon instead they are facing with

[hartzell aircraft propeller compact constant speed amd](#) - Sep 20 2022

web hartzell propeller compact constant speed amd feathering overhaul and maintenance manual 117d english language disclaimer this item is sold for historical and reference only

hartzell propeller inc service letter rockyprop com - Nov 22 2022

web propeller overhaul periods and service life limits for hartzell propellers governors and propeller damper assemblies november 5 2008 this page transmits a revision to service letter hc sl 61 61y original dated may 9 69 revision a dated april 15 76 revision b dated september 10 76 revision c dated november 28 77

overhaul periods and service life limits for hartzell components - Oct 22 2022

web mar 8 2001 hartzell manual 117d ata 61 10 17 compact constant speed and feathering propeller overhaul and maintenance hartzell manual 118f ata 61 10 18 steel hub turbine propeller maintenance manual hartzell manual 132 ata 61 10 33 five blade turbine engine propeller overhaul

hartzell propeller inc service bulletin - Apr 15 2022

web and aerobatic 4 propeller overhaul and maintenance manual 113b 61 10 13 2 hartzell propeller inc compact constant speed and feathering propeller overhaul and maintenance manual 117d 61 10 17 3 hartzell propeller inc four blade lightweight turbine propeller overhaul manual 141 61 10 41 4 hartzell propeller inc

hartzell propeller library atp store - Feb 11 2022

web caveats if you plan on accessing your veryon publications on a mobile device you will need to download the veryon publications mobile app the mobile app can details propeller spinner system hartzell propeller inc 101298 hybrid 102870 103409 hybrid 103585 hybrid publications publications included hartzell propeller inc

propeller owner s manual hartzell propeller - Oct 02 2023

web page 1 meage1 4 rev 22 may 23 hartzell propeller wners manual 14 as a fellow pilot i urge you to read this manual thoroughly it contains a wealth of information about your new propeller the propeller is among the most reliable components of your airplane it is also among the most critical to flight safety

[european aviation safety agency easa](#) - Mar 27 2023

web airworthiness limitations hartzell manuals 113 115n 117 or 145 overspeed and overtorque limits hartzell manual 202 instruction for continued airworthiness hartzell manual 113b 117d 127 133c 135f and 202a propeller integration manual

hartzell manual 191 propeller owner s manual hartzell manual 145

[115n hartzell propeller manual pdf propeller rotating](#) - Aug 20 2022

web description of revision adds airworthiness limitation information from hartzell overhaul manual 113b 61 10 13 and hartzell overhaul manual 117d 61 10 17 added cylinder life limits for propeller model hc c 2 3 yr 4 b c f fc8477 4r and corrected the engine model number for aviatt pitts s 2s s 2b airworthiness limitations 61 00 15 page 15

faa approved manuals hartzell propeller inc - Jun 29 2023

web read current versions of faa approved manuals to operate and maintain your hartzell propeller all of these manuals are available as a free download north america 1 800 942 7767 international 1 937 778 4200

[hartzell propeller inc alert service bulletin](#) - Jun 17 2022

web hartzell manual 113b 61 10 13 compact non feathering and aerobatic propeller overhaul and maintenance manual hartzell manual 117d 61 10 17 compact constant speed and feathering propeller overhaul instructions hartzell manual 202a 61 01 02 standard practices manual hartzell manual 115n 61 00 15 propeller owner s manual

propeller owner s manual hartzell propeller - Sep 01 2023

web propeller owner s manual manual no 115n 61 00 15 revision 26 august 2023 propeller owner s manual and logbook compact models with aluminum blades constant speed non counterweighted hc y 1 constant speed counterweighted hc y 4 constant speed and feathering hc y 2

[hartzell owner s manuals hartzell propeller inc](#) - Jul 31 2023

web jan 1 1999 hartzell owner s manuals provide instructions for continued airworthiness ica information includes a description and operation of the propeller installation and removal instructions testing and troubleshooting information inspection and check and maintenance practices information

[external manual revision status hartzell propeller](#) - May 29 2023

web 106r 61 00 06 propeller owner s manual logbook for propeller models hc 82x hc a2 hc a3 hc 82z hc 83 hc 92w hc 83x hc 83z obsolete replaced by manuals 168 169 and 175 replaced by manuals 168 169 and 175 replaced by manuals 168 169 and 175 107

[hartzell compact propeller manual pdf document](#) - May 17 2022

web oct 24 2014 reference publicationsthe following publications are referenced within this manual hartzell manual no 113b 61 10 13 compact non feathering 1 and aerobatic 4 propeller overhaul and maintenance manualhartzell manual no 117d 61 10 17 compact constant speed and feathering propeller overhaul and maintenance

[propeller owner s manual hartzell propeller](#) - Dec 24 2022

web propeller overhaul is strongly recommended to accomplish periodic internal inspection visually inspect metal blades for

cracks inspect hubs overhaul manual 113b 61 10 13 and hartzell overhaul manual 117d 61 10 17 16 added cylinder life limits for propeller model hc c 2 3 yr 4 b c f fc8477 4r and corrected the engine

manual 118 hartzell overhaul aeroval - Mar 15 2022

web manual 118 nomenclature hartzell overhaul supersedure reference manufactuer oem hawker beechcraft textron location wichita ks usa website txtav com cage code fscm 70898 product classification aircraft part model reference beech commercial spares market segment aftermarket aircraft type

hartzell hc y 1 series owner s manual and logbook - Feb 23 2023

web page 17 federal aviation administration rev description of revision adds airworthiness limitation information from hartzell overhaul manual 113b 61 10 13 and hartzell overhaul manual 117d 61 10 17 added cylinder life limits for propeller model hc c 2 3 yr 4 b c f fc8477 4r and corrected the engine model number for aviatt pitts s