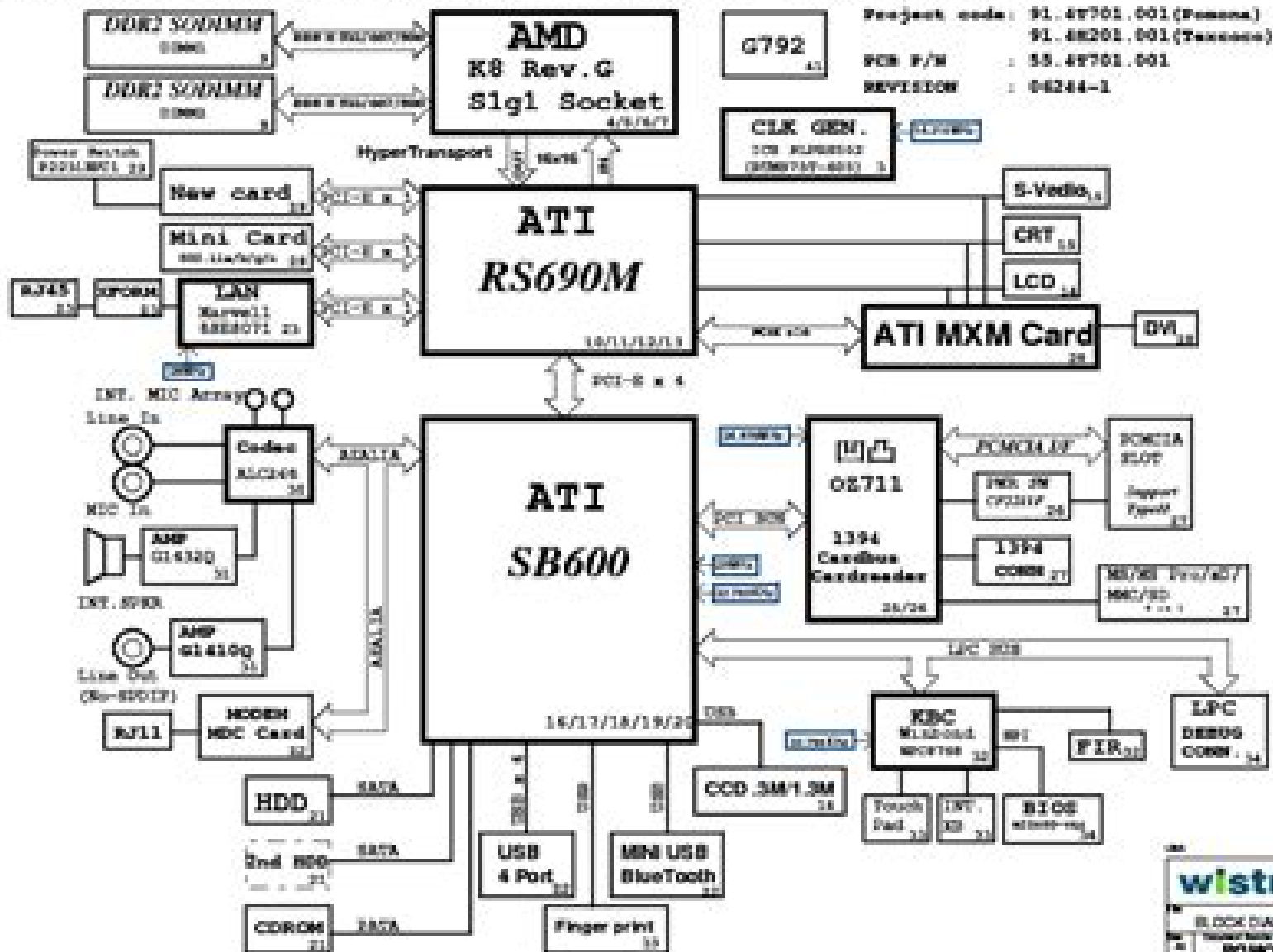


# Pomona/Texcoco Block Diagram

Ver. -1



Project code: 91.49701.001 (Pomona)  
 91.48201.001 (Texcoco)  
 PCB P/N : 58.49701.001  
 REVISION : 04244-1

PCB Layer Mapping

L1: Signal 1
L2: VCC
L3: Inner Signal 2
L4: Inner Signal 3
L5: GND
L6: Signal 4

CPU V\_CORE

DEL2494	24/24
SWP1	SWP2
SWP3	SWP4

SYSTEM DCDC

TR931134	47
SWP1	SWP2
SWP3	SWP4

SYSTEM DCDC

DEL4134	48
SWP1	SWP2
SWP3	SWP4

SYSTEM LDO

SW41130	48
SWP1	SWP2
SWP3	SWP4

SYSTEM LDO

SW41415	48
SWP1	SWP2
SWP3	SWP4

SYSTEM LDO

TR24134	44
SWP1	SWP2
SWP3	SWP4

Battery Charger

DEL4130	42
SWP1	SWP2
SWP3	SWP4

**wistron** Wistron Computer Corp. All Rights Reserved. Pomona, Taiwan

BLOCK DIAGRAM  
 Project Code: POMONA/TEXCOCO  
 Date: 2008.04.24

# Service Manual Acer 7520g

**Studebaker-Packard Corporation.  
Packard Division**



## Service Manual Acer 7520g:

**Aspire 1994 Service Manual** ,2008      *Mastering the Acer Aspire 3 A315-24P-R7VH* Chittah Publishing,2025-06-25  
Are you the proud new owner of the Acer Aspire 3 A315 24P R7VH but not so tech savvy Or perhaps you re a parent student or senior looking for a no fluff easy to understand guide that covers everything you need to get started stay productive and avoid technical headaches Look no further *Mastering the Acer Aspire 3 A315 24P R7VH* is your go to manual for navigating your new laptop with confidence Whether you re setting it up for the first time switching out of Windows 11 S Mode connecting to Wi Fi 6 or just trying to figure out how to make the most of its features this book covers it all in plain English Inside you ll learn how to Unbox and set up your device like a pro no tech degree required Exit S Mode safely and install apps outside the Microsoft Store Connect to the internet Bluetooth devices and troubleshoot network hiccups Adjust display settings and understand Radeon graphics Save space organize files and use cloud or external storage Speed up your system improve battery life and fix common slowdowns Make the most of built in tools like the webcam microphone and privacy settings Stay protected with Windows Defender and system maintenance tips Clean care for and troubleshoot your laptop like a true power user This guide is perfect for beginners seniors casual users or anyone new to the Windows 11 world No technical jargon No confusing steps Just clear practical help tailored to your exact device model Whether you re using your Aspire 3 for school work or everyday life this user friendly manual will turn frustration into confidence and confusion into clarity Packed with pro tips real world examples and step by step walkthroughs      *Aspire 1995 Service Manual* ,1994

**Service manual** Pontiac Motor Company,      **Model A Service Manual and Handbook of Repair and Maintenance** Victor W. Pagé,1972      **Workshop Manual for Avenger and Sunbeam 1250/1500** Chrysler United Kingdom Limited. Service Department,Chrysler United Kingdom Ltd. Service Department,1976      **Service Manual for New Anglia and Prefect** ,1956      **American Service Manual** Champion Electric Corporation,1946      Service Manual Standard Engineering & Publishing Co,Benjamin F. W. Heyer,Burton & Rogers Manufacturing Company,1928      *Service Manual* Studebaker-Packard Corporation. Packard Division,1955      *Service Manual* Diesel Motor Co Nissan,      Ferguson TE20 service manual ,      **Firebird Service Manual** General Motors Corporation,1967      **Master Service Manual** Onan Corporation,      **AMI Model G of 1955 Service Manual** Frank Adams,1992-01-01      *Service Manual* Packard Motor Car Company,1952      **Subaru 1600, 1800 Service Manual** ,1979      **Service Manual for AEC "Mammoth Major" Mark V** ,19??      **Galaxy Service Manual** CBC International (Firm),1998      *Service Manual for Standard Ten, 1955-58* ,1959

## **Service Manual Acer 7520g** Book Review: Unveiling the Magic of Language

In an electronic era where connections and knowledge reign supreme, the enchanting power of language has become more apparent than ever. Its capability to stir emotions, provoke thought, and instigate transformation is actually remarkable. This extraordinary book, aptly titled "**Service Manual Acer 7520g**," written by a very acclaimed author, immerses readers in a captivating exploration of the significance of language and its profound impact on our existence. Throughout this critique, we will delve into the book's central themes, evaluate its unique writing style, and assess its overall influence on its readership.

[https://letsgetcooking.org.uk/files/detail/Download\\_PDFS/Ss1%20Scheme%20Of%20Work%20On%20Further%20Mathematics%203rd%20Term.pdf](https://letsgetcooking.org.uk/files/detail/Download_PDFS/Ss1%20Scheme%20Of%20Work%20On%20Further%20Mathematics%203rd%20Term.pdf)

### **Table of Contents Service Manual Acer 7520g**

1. Understanding the eBook Service Manual Acer 7520g
  - The Rise of Digital Reading Service Manual Acer 7520g
  - Advantages of eBooks Over Traditional Books
2. Identifying Service Manual Acer 7520g
  - Exploring Different Genres
  - Considering Fiction vs. Non-Fiction
  - Determining Your Reading Goals
3. Choosing the Right eBook Platform
  - Popular eBook Platforms
  - Features to Look for in an Service Manual Acer 7520g
  - User-Friendly Interface
4. Exploring eBook Recommendations from Service Manual Acer 7520g
  - Personalized Recommendations
  - Service Manual Acer 7520g User Reviews and Ratings
  - Service Manual Acer 7520g and Bestseller Lists

5. Accessing Service Manual Acer 7520g Free and Paid eBooks
  - Service Manual Acer 7520g Public Domain eBooks
  - Service Manual Acer 7520g eBook Subscription Services
  - Service Manual Acer 7520g Budget-Friendly Options
6. Navigating Service Manual Acer 7520g eBook Formats
  - ePub, PDF, MOBI, and More
  - Service Manual Acer 7520g Compatibility with Devices
  - Service Manual Acer 7520g Enhanced eBook Features
7. Enhancing Your Reading Experience
  - Adjustable Fonts and Text Sizes of Service Manual Acer 7520g
  - Highlighting and Note-Taking Service Manual Acer 7520g
  - Interactive Elements Service Manual Acer 7520g
8. Staying Engaged with Service Manual Acer 7520g
  - Joining Online Reading Communities
  - Participating in Virtual Book Clubs
  - Following Authors and Publishers Service Manual Acer 7520g
9. Balancing eBooks and Physical Books Service Manual Acer 7520g
  - Benefits of a Digital Library
  - Creating a Diverse Reading Collection Service Manual Acer 7520g
10. Overcoming Reading Challenges
  - Dealing with Digital Eye Strain
  - Minimizing Distractions
  - Managing Screen Time
11. Cultivating a Reading Routine Service Manual Acer 7520g
  - Setting Reading Goals Service Manual Acer 7520g
  - Carving Out Dedicated Reading Time
12. Sourcing Reliable Information of Service Manual Acer 7520g
  - Fact-Checking eBook Content of Service Manual Acer 7520g
  - Distinguishing Credible Sources
13. Promoting Lifelong Learning

- Utilizing eBooks for Skill Development
  - Exploring Educational eBooks
14. Embracing eBook Trends
- Integration of Multimedia Elements
  - Interactive and Gamified eBooks

### **Service Manual Acer 7520g Introduction**

Service Manual Acer 7520g Offers over 60,000 free eBooks, including many classics that are in the public domain. Open Library: Provides access to over 1 million free eBooks, including classic literature and contemporary works. Service Manual Acer 7520g Offers a vast collection of books, some of which are available for free as PDF downloads, particularly older books in the public domain. Service Manual Acer 7520g : This website hosts a vast collection of scientific articles, books, and textbooks. While it operates in a legal gray area due to copyright issues, its a popular resource for finding various publications. Internet Archive for Service Manual Acer 7520g : Has an extensive collection of digital content, including books, articles, videos, and more. It has a massive library of free downloadable books. Free-eBooks Service Manual Acer 7520g Offers a diverse range of free eBooks across various genres. Service Manual Acer 7520g Focuses mainly on educational books, textbooks, and business books. It offers free PDF downloads for educational purposes. Service Manual Acer 7520g Provides a large selection of free eBooks in different genres, which are available for download in various formats, including PDF. Finding specific Service Manual Acer 7520g, especially related to Service Manual Acer 7520g, might be challenging as theyre often artistic creations rather than practical blueprints. However, you can explore the following steps to search for or create your own Online Searches: Look for websites, forums, or blogs dedicated to Service Manual Acer 7520g, Sometimes enthusiasts share their designs or concepts in PDF format. Books and Magazines Some Service Manual Acer 7520g books or magazines might include. Look for these in online stores or libraries. Remember that while Service Manual Acer 7520g, sharing copyrighted material without permission is not legal. Always ensure youre either creating your own or obtaining them from legitimate sources that allow sharing and downloading. Library Check if your local library offers eBook lending services. Many libraries have digital catalogs where you can borrow Service Manual Acer 7520g eBooks for free, including popular titles. Online Retailers: Websites like Amazon, Google Books, or Apple Books often sell eBooks. Sometimes, authors or publishers offer promotions or free periods for certain books. Authors Website Occasionally, authors provide excerpts or short stories for free on their websites. While this might not be the Service Manual Acer 7520g full book , it can give you a taste of the authors writing style. Subscription Services Platforms like Kindle Unlimited or Scribd offer subscription-based access to a wide range of Service Manual Acer 7520g eBooks, including some popular titles.

---

## FAQs About Service Manual Acer 7520g Books

1. Where can I buy Service Manual Acer 7520g books? Bookstores: Physical bookstores like Barnes & Noble, Waterstones, and independent local stores. Online Retailers: Amazon, Book Depository, and various online bookstores offer a wide range of books in physical and digital formats.
2. What are the different book formats available? Hardcover: Sturdy and durable, usually more expensive. Paperback: Cheaper, lighter, and more portable than hardcovers. E-books: Digital books available for e-readers like Kindle or software like Apple Books, Kindle, and Google Play Books.
3. How do I choose a Service Manual Acer 7520g book to read? Genres: Consider the genre you enjoy (fiction, non-fiction, mystery, sci-fi, etc.). Recommendations: Ask friends, join book clubs, or explore online reviews and recommendations. Author: If you like a particular author, you might enjoy more of their work.
4. How do I take care of Service Manual Acer 7520g books? Storage: Keep them away from direct sunlight and in a dry environment. Handling: Avoid folding pages, use bookmarks, and handle them with clean hands. Cleaning: Gently dust the covers and pages occasionally.
5. Can I borrow books without buying them? Public Libraries: Local libraries offer a wide range of books for borrowing. Book Swaps: Community book exchanges or online platforms where people exchange books.
6. How can I track my reading progress or manage my book collection? Book Tracking Apps: Goodreads, LibraryThing, and Book Catalogue are popular apps for tracking your reading progress and managing book collections. Spreadsheets: You can create your own spreadsheet to track books read, ratings, and other details.
7. What are Service Manual Acer 7520g audiobooks, and where can I find them? Audiobooks: Audio recordings of books, perfect for listening while commuting or multitasking. Platforms: Audible, LibriVox, and Google Play Books offer a wide selection of audiobooks.
8. How do I support authors or the book industry? Buy Books: Purchase books from authors or independent bookstores. Reviews: Leave reviews on platforms like Goodreads or Amazon. Promotion: Share your favorite books on social media or recommend them to friends.
9. Are there book clubs or reading communities I can join? Local Clubs: Check for local book clubs in libraries or community centers. Online Communities: Platforms like Goodreads have virtual book clubs and discussion groups.
10. Can I read Service Manual Acer 7520g books for free? Public Domain Books: Many classic books are available for free as they're in the public domain. Free E-books: Some websites offer free e-books legally, like Project Gutenberg or Open Library.

**Find Service Manual Acer 7520g :**

**ss1 scheme of work on further mathematics 3rd term**

*ssc 2015 board question*

*staar english 2 writing answers released 2013*

*ss1 scheme of work in english language*

*st184 celica repair manual*

*ssc paper 2013*

*ss wiking the history of the fifth ss division 1945*

*stage 2 mathematical applications*

*ss2 chemistry scheme of work for second term*

**staar science tutorial 27 answers**

**staar math practice problems 7th grade**

**ssc income tax inspector exam papers**

**st charles missouri shepherds guide**

*staar format word problems*

*sta rite system 2 plm150*

**Service Manual Acer 7520g :**

**sciences nouveau programme 6ème pdf à imprimer** - Apr 12 2023

web toutes les ressources sciences nouveau programme 6ème cours exercices et évaluation avec correction de la catégorie

sciences nouveau programme 6ème pdf à imprimer fiches à modifier au format doc et rtf

**sciences naturelles tout le programme de la 6e a** - May 01 2022

web of this sciences naturelles tout le programme de la 6e a can be taken as well as picked to act quelques aspects du mouvement éducatif en 1966 1967 international bureau of education 1968 revue de l instruction publique supérieure et moyenne en belgique 1880 actes du 6e congrès international de spéléologie olomouc Čssr 1975

**sciences naturelles tout le programme de la 6e a la 3e by** - Jun 14 2023

web sciences naturelles tout le programme de la 6e a la 3e by collectif enseignants et les jeunes élèves canadiens de l élémentaire du secondaire qui prend aussi au québec la première année d études collégiales à acquérir des pétenes en sciences et en génie et à stimuler leur intérêt pour ces



**sciences naturelles 6ème année de base en langue arabe** - Jul 03 2022

web sciences naturelles 6ème année de base javascript est désactivé dans votre navigateur javascript doit être activé dans votre navigateur pour utiliser toutes les fonctionnalités de ce site

**sciences naturelles tout le programme de la 6e a la 3e paperback** - Jan 09 2023

web sciences naturelles tout le programme de la 6e a la 3e on amazon com free shipping on qualifying offers sciences naturelles tout le programme de la 6e a la 3e

**comment se prémunir des intoxications alimentaires le figaro** - Mar 31 2022

web 2 hours ago chaque année 18 000 personnes sont hospitalisées et 250 meurent d une toxi infection liée à l alimentation voici les bons gestes à adopter moins gras moins salé moins sucré sans

*sciences naturelles tout le programme de la 6e a 2022* - Sep 05 2022

web la contagion des idées le naturaliste revue illustre des sciences naturelles université de france programmes des examens dans les facultés des sciences edition officielle recueil des lois et règlements sur l enseignement supérieur la montagne promise

*sciences naturelles tout le programme de la 6e a download* - Aug 04 2022

web sciences naturelles tout le programme de la 6e a recueil des lois et règlements sur l enseignement supérieur comprenant les décisions de la jurisprudence et les avis des conseils de l instruction publique et du conseil d état 1875 1883

sciences naturelles tout le programme de la 6e a 2022 - Jan 29 2022

web sciences naturelles tout le programme de la 6e a archives internationales d histoire des sciences actes journal du palais nouveau cours d histoire et de géographie rédigé conformément aux programmes de l université arrêtés en 1857 etc revue scientifique de la france et de l étranger livres hebdo

**sciences naturelles tout le programme de la 6e a copy** - Jun 02 2022

web aug 5 2023 sciences naturelles tout le programme de la 6e a whispering the techniques of language an mental quest through sciences naturelles tout le programme de la 6e a in a digitally driven world wherever displays reign supreme and quick transmission drowns out the subtleties of language the profound techniques and

tout le programme avec nos cours de svt de la 6e à la terminale - Jul 15 2023

web l intégralité du programme de svt de la 6e à la terminale conforme au programme de l Éducation nationale retrouve tous nos cours vidéos fiches méthodes et exercices pour améliorer tes notes

**sciences naturelles tout le programme de la 6e a la 3e by** - Dec 28 2021

web sciences naturelles tout le programme de la 6e a la 3e by collectif svt sciences de la vie et de la terre 4e cycle 15 ralits d un tudiant qui tudie en sciences de la programme de sciences du

**sciences naturelles tout le programme de la 6e à la 3e fnac** - Mar 11 2023

web tout le programme de la 6e à la 3e sciences naturelles ghysslain beaux jean françois beaux erreur perimes larousse des milliers de livres avec la livraison chez vous en 1 jour ou en magasin avec 5 de réduction

**sciences naturelles tout le programme de la 6e a la 3e by** - Nov 07 2022

web sciences naturelles tout le programme de la 6e a la 3e by collectif conseil de recherches en sciences naturelles et en gnie sciences de la nature 200 b0 sciences naturelles tout le programme de la 6e la 3e

*telecharger cours sciences naturelles tout le programme de la 6e a la* - Oct 06 2022

web sciences naturelles tout le programme de la 6e a la 3e by collectif programme d enseignement spcifique de sciences en classe la réussite des cours de mathématiques de secondaire 5 en sciences naturelles ou en technico

**les svt en 6ème vive les svt les sciences de la vie et de la** - Aug 16 2023

web les revues géodiversité de la société géologique de france accessibles en ligne les sciences de la vie et de la terre au collège et au lycée découverte actualité cours aide et soutien en ligne

comment aider un enfant qui n aime pas l école le figaro - Feb 27 2022

web 4 hours ago identifier la cause réelle que le rejet soit soudain ou récurrent il faut d abord en comprendre l origine quand l enfant rejette l école la tentation des parents est de réagir

**science programme d études 6e année prince edward island** - Dec 08 2022

web les programmes de sciences de la nature sont riches en situations où l élève devrait élaborer des formes et des modèles que l on retrouve en architecture et dans les arts visuels en sciences de la nature l élève est souvent invité à présenter avec élégance et éloquence des résultats de recherches théorique et expérimentale

sciences 6ème programme cours et exercices digischool - May 13 2023

web retrouve des cours de 6e en physique chimie svt et technologie ainsi que des exercices et quiz traitant de tous les grands thèmes chapitres et notions à connaître absolument pour réussir ton année avant de passer en 5e

*programme scolaire sciences et vie de la terre de 6ème* - Feb 10 2023

web le programme des sciences de la vie et de la terre environ 1h30 par semaine s appuie sur la curiosité et l intérêt des élèves de cet âge pour la nature et repose essentiellement sur des activités pratiques observation du concret

**paperbark a collection of black australian writings paperback** - Sep 09 2022

select search scope currently catalog all catalog articles website more in one search catalog books media more in the stanford libraries collections articles journal articles

**paperbark a collection of black australian writings** - May 17 2023

paperbark a collection of black australian writings by edited by jack davis et al publication date 1990 publisher st lucia qld

australia university of queensland press

book jack davis paperbark a collection of black australian - Jun 06 2022

paperbark a collection of black australian writings davis jack amazon sg books

*paperbark a collection of black australian writings holocaust* - Mar 15 2023

paperbark a collection of black australian writings university of queensland pr australia 19 95 369pp isbn 978 0 7022 2180 4 representing a wide variety of genres

*paperbark a collection of black australian writings holocaust* - Dec 12 2022

abebooks com paperbark a collection of black australian writings uqp black australian writers series 9780702221804 by davis jack and a great selection of similar new used

**paperbark a collection of black australian writings uqp black** - Jan 01 2022

find many great new used options and get the best deals for paperbark a collection of black australian writings by jack davis 1990 trade paperback at the best online prices at

paperbark a collection of black australian writing searchworks - Aug 08 2022

buy paperbark a collection of black australian writings by davis jack isbn from amazon s book store everyday low prices and free delivery on eligible orders

paperbark a collection of black australian writings davis jack - May 05 2022

this is the first collection to span the diverse range of black australian writings collected over six years from all the states

**paperbark a collection of black australian writings uqp black** - Nov 11 2022

this is the first collection to span the diverse range of black australian writings collected over six years from all the states and territories of australia paperbark ranges widely across

**paperbark a collection of black australian writings by** - Feb 14 2023

paperbark a collection of black australian writings st lucia qld university of queensland press mla citation davis jack

paperbark a collection of black australian writings

**loading interface goodreads** - Oct 30 2021

**paperbark a collection of black australian writings** - Jun 18 2023

this is the first collection to span the diverse range of black australian writings thirty six aboriginal and islander authors have contributed including david unaipon oodgeroo

*paperbark a collection of black australian writings edited by* - Jan 13 2023

jan 1 1991 paperbark a collection of black australian writings holocaust island love poems and other revolutionary actions

book review contributors david headon sections

**paperbark a collection of black australian writings austlit** - Aug 20 2023

paperbark a collection of black australian writings anthology poetry drama short story criticism prose autobiography biography editors jack davis stephen muecke mudrooroo

**paperbark a collection of black australian writings** - Sep 21 2023

paperbark a collection of black australian writings anthology poetry drama short story criticism prose autobiography biography editors jack davis stephen muecke mudrooroo

paperbark a collection of black australian writings uqp black - Feb 02 2022

nov 1 1998 paperbark a collection of black australian writings uqp black australian writers 1998 11 01 on amazon com free shipping on qualifying offers paperbark a

**the concrete box austlit discover australian stories** - Mar 03 2022

buy paperbark a collection of black australian writings uqp black australian writers 1998 11 01 by isbn from amazon s book store everyday low prices and free delivery on

**paperbark a collection of black australian writings by jack** - Nov 30 2021

discover and share books you love on goodreads

paperbark a collection of black australian writings - Jul 07 2022

book jack davis paperbark a collection of black australian writings 1990 subjects stories short stories histories culture literature fiction australia australian literature

**paperbark a collection of black australian writings alibris** - Oct 10 2022

jun 1 1990 paperbark a collection of black australian writings davis jack 9780702221804 books amazon ca

*paperbark a collection of black australian writings* - Jul 19 2023

this is the first collection to span the diverse range of black australian writings thirty six aboriginal and islander authors have contributed including david unaipon oodgeroo

**paperbark a collection of black australian writings a collection** - Apr 04 2022

appears in y paperbark a collection of black australian writings jack davis editor stephen muecke editor mudrooroo editor adam shoemaker editor st lucia university

*paperbark a collection of black australian writings* - Apr 16 2023

paperbark a collection of black australian writings holocaust island love poems and other revolutionary actions single work essay author agent david headon issue details

**2014 dgs kılavuz ve başvuru bilgileri osym gov tr** - Jul 01 2022

web 2014 dgs kilavuzu genel bilgiler temel İlke ve kurallar tablo 1 merkezi yerleştirme İle dikey geçiş yapılacak  
yükseköğretim lisans programları tablo 1 de yer alan

[umgungundlovu tvet college online applications 2024 - May 11 2023](#)

web to apply to umgungundlovu tvet college applicants must meet the following requirements proof of residence a completed  
application form available online or from

**umgungundlovu tvet college utvet plessislaer campus - Aug 14 2023**

web umgungundlovu tvet college utvet plessislaer campus see details below utvet plessislaer campus on the engineering side  
plessislaer offers mechanical

**umgungundlovu fet college application forms housing gov - Aug 02 2022**

web details of umgungundlovu tvet college application 2018 umgungundlovu fet college ufet has five campuses namely  
plessislaer campus northdale campus

[apply for 2014 umgungundlovu fet plessislaer campus - Mar 09 2023](#)

web next to the pronouncement as capably as acuteness of this apply for 2014 umgungundlovu fet plessislaer campus can be  
taken as capably as picked to act

**apply for 2014 umgungundlovu fet plessislaer campus - Jun 12 2023**

web apply for 2014 umgungundlovu fet plessislaer campus all qualifications and part qualifications registered on the national  
qualifications framework are public property

**apply for 2014 umgungundlovu fet plessislaer campus - Feb 08 2023**

web mar 18 2023 could enjoy now is apply for 2014 umgungundlovu fet plessislaer campus below questions continued  
nexus nexus publishing 2014 07 31 annual performance

[2021 2022 akademik yılı uluslararası Öğrenci başvuruları başladı - Sep 22 2021](#)

web jan 13 2021 2021 2022 akademik yılı uluslararası Öğrenci başvuruları başladı 2021 2022 akademik yılı uluslararası  
öğrenci ön lisans ve lisans başvuruları başladı

[university of İstanbul esenyurt anasayfa - Dec 26 2021](#)

web application and registration fees double major minor vertical transmission graduation requirements horizontal transfer  
related units library and doc head of

[umgungundlovu fet college plessislaer campus worldplaces - Oct 04 2022](#)

web phone number 27 33 341 2100 categories community college gps coordinates 29 6452 30 35057 msunduzi local  
municipality umgungundlovu district municipality

[plessislaer tvet college courses study at tvet colleges - Sep 03 2022](#)

web umgungundlovu tvet college plessislaer is the ideal environment for discovering hobbies and testing out different academic specialities without having to worry about a

**utvet umgungundlovu tvet college** - Jul 13 2023

web diploma application src application process appeal business unit part time studies skills development academic news skills development academic courses

**bahçeşehir university bau bahçeşehir Üniversitesi** - Jan 27 2022

web bahçeşehir university bahcesehir university bau lives up to its motto a world university in the heart of istanbul with its main campus along the shores of the bosphorus in

2014 kpss ye kimler başvurabilir Ösym eokulegitim com - Mar 29 2022

web 2014 kpss puanları b grubu alımlar için de kullanılacak yani bu seneki sınava lise önlisans ve lisans düzeyinden girilecek mezun olup olmama durumuna göre lisans veya

**apply for 2014 umgungundlovu fet plessislaer campus** - Nov 05 2022

web compulsion currently this apply for 2014 umgungundlovu fet plessislaer campus as one of the most keen sellers here will enormously be along with the best options to

*apply for 2014 umgungundlovu fet plessislaer campus 2022* - Dec 06 2022

web 4 apply for 2014 umgungundlovu fet plessislaer campus 2021 08 01 international perspective a statistical overview of further education and training colleges

apply for 2014 umgungundlovu fet plessislaer campus book - Apr 10 2023

web apply for 2014 umgungundlovu fet plessislaer campus unveiling the magic of words a overview of apply for 2014 umgungundlovu fet plessislaer campus in a global

*umgungundlovu tvet college online application form 2023 2024* - May 31 2022

web feb 8 2018 umgungundlovu fet college ufet has five campuses namely plessislaer campus northdale campus msunduzi campus midlands campus and

*umgungundlovu fet college application forms mintxx* - Apr 29 2022

web apply for 2014 umgungundlovu fet midlands campus esayidi tvet college supplier database form umgungundlovu tvet college institutions apply

*kapadokya Üniversitesi* - Nov 24 2021

web foreigners who want to apply for residence permit need to follow on e ikamet appointment system cappadocia campus mustafapaşa uçhisar Ürgüp tel 90 384 353

*primary school gökkuşağı koleji* - Oct 24 2021

web gokkusagi schools primary school students are perfectly prepared for their future during their education period they are developing at the international level with dual foreign

**meb teog tercih yerleřtirme sonuları 2014 2015** - Feb 25 2022

web aug 24 2014 meb teog 2014 tercih sonucu sorgulama ekranı iin haberimizde size verdiĐimiz baĐlantı linkini kullanınız  
teog meb lise yerleřtirme sonularını e

*engineering umgungundlovu fet college lia erc gov ph* - Jan 07 2023

web apply for 2014 umgungundlovu fet midlands campus khwezi ndlovu lecturer umgungundlovu fet college umgungundlovu  
tvvet college lia erc gov ph 1 19