

- 4.5.2 Place a suitable tool (e.g. a large flat-blade screwdriver) between carrier (2) and caliper (1) forcing them in opposite directions, and read the maximum value on the dial-gauge. See Figure 27.

If the value is greater than 0.078 in. (2.0 mm), replace the guide pin bushings (See Section 5.6) OR replace the caliper/carrier assembly (See Section 5.3).

Measure the range of travel along the guide pin bearings:

- 4.5.3 Remove the Pads (See Section 4.3). Using hand pressure only (no tools), the caliper (1) should slide freely along the whole length of the guide pins. This movement should be at least 0.95 inch (25 mm) when the pads are not present. If the movement is less than this amount, replace the caliper/carrier assembly.

Inspect the guide pin inner boots:

- 4.5.4 See Figures 28 and 29. With the pads removed, slide the carrier by hand to the inboard position (See Figure 26). By looking through the opening where the pads are installed — and also from below — inspect the inner boot (9) for each of the guide pins. **INSPECT FOR DAMAGE, CUTS AND CRACKS.** Replace damaged boots immediately to prevent dirt and/or moisture affecting the movement of the guide pins (See Section 5.4). Damaged or corroded guide pins will impair the operation of the brake.

In addition, during installation, the boots are compressed to minimize the amount of air trapped within them. Observe as you move the carrier back towards the outboard position; the boots should not appear to expand outwards due to trapped air — this is a sign of damaged boots. The boots should normally (due to their concertina construction) contract back into place as the caliper moves on the guide pins.

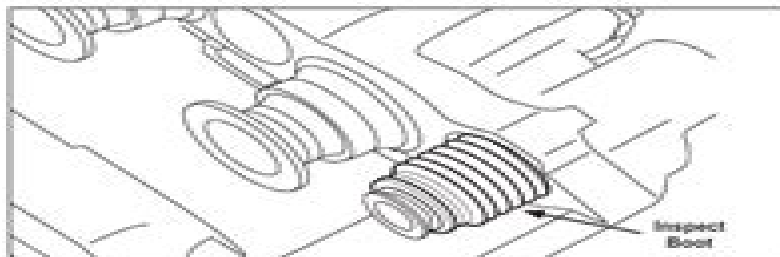


FIGURE 28 - GUIDE PIN BOOT INSPECTION (THIS IMAGE DOES NOT SHOW THE CARRIER)

- 4.5.5 Inspect the original pads (See Section 4.3) and they may be reused if they are in good condition with sufficient pad thickness.

4.6 TAPPET AND BOOT ASSEMBLY INSPECTION

- 4.6.1 In order to inspect the tappet and boot assembly, remove the pads (12) (See Sections 4.3 or 5.2) and advance the shear adapter (61) clockwise.

CAUTION: NEVER EXTEND THE TAPPET MORE THAN 1.75 in. (44.5 mm). See Figure 29. Over-extending the tappet will result in the tappet losing engagement with the synchronizing mechanism. Since the mechanism can only be set at the manufacturing plant, the caliper/carrier assembly must be replaced if this happens.

- 4.6.2 **INSPECT THE TAPPET AND BOOT ASSEMBLIES (13) FOR EVIDENCE OF DAMAGE, CUTS, CRACKS, AND EVIDENCE OF CORROSION, ETC.** The penetration of dirt and moisture into the brake can lead to corrosion and impair the operation of the brake. When installed, the boots are compressed to minimize the amount of air trapped within them. Observe as you move the tappet back using the shear adapter; the boots should not appear to expand outwards due to trapped air — this is a sign of damaged boots. The boots should normally (due to their concertina construction) contract back into place as the tappets move. Damaged boots lead to the penetration of dirt and moisture, and can lead to corrosion and impair the operation of the brake. Replace as necessary (See Section 5.5).

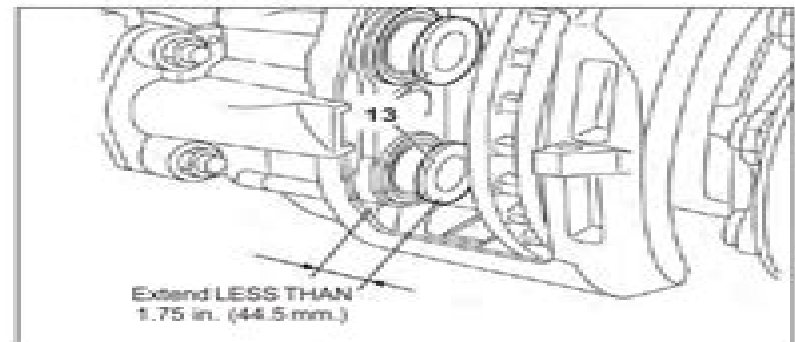


FIGURE 29 - PERMITTED TAPPET EXTENSION

Where the tappets and boots pass the inspection, retract the tappets using the shear adapter.

Follow the reinstallation steps for the brake pads (See Section 5.2).

Service Manual For 895international Brakes

Mintex Federal Ltd



Service Manual For 895international Brakes:

Moody's Manual of Investments John Sherman Porter,1956 American government securities 1928 53 in 5 annual vols v 1 Railroad securities 1952 53 Transportation v 2 Industrial securities v 3 Public utility securities v 4 Government securities 1928 54 v 5 Banks insurance companies investment trusts real estate finance and credit companies 1928 54 *Heavy Duty Brake Service Manual for Trucks, Buses, Tractors and Trailers* ,1975 *Service Manual, Disassembly and Assembly* Caterpillar Tractor Company,1971 **Brake Service Manual** NAPA Brakes,1986 **The Haynes Manual on Brakes** Martynn Randall,2004 The definitive DIY manual on automotive braking systems Covers pad and shoe replacement on all common systems component overhaul and ABS Includes unique colour section showing drum brake layouts and fault finding charts *Brake Service Manual* ,1965 **EIS Brake Service Manual** ,1987 Disc brake service manual Certified Brakes Company,Lear Siegler, Inc,1976 **Standard Hydraulic and Power Brake** Paul-Marsh Company, Detroit,1959 *Fram-Bendix-Autolite Hydraulic Brake Service Manual* Allied-Signal Inc. Aftermarket Sales,Mitchell International,1992 **Brake System Service Manual** ,1974* For servicing the brakes on American passenger cars produced in model years 1958 through 1974 *Volvo Service Manual* ,1962 *Raybestos Brake Service Manual for Disc and Drum Brakes* Raybestos-Manhattan, Inc,1966 *Brake service manual* Mintex Federal Ltd,1958 **Brake System Service Manual** Bendix Corporation. Automotive Aftermarket,1968 **Brake Service Manual, MB505** Weatherhead Company,1962 Brakes Paul Dumas,Chilton Company,1936 Brake Service Manual for Domestic and Foreign Cars , Passenger Car Brake Service Manual Raybestos Friction Materials Company,1979 **Disc Brake Service Manual** Kelsey-Hayes Company. Kelsey Products Division,1970

Unveiling the Energy of Verbal Art: An Mental Sojourn through **Service Manual For 895international Brakes**

In some sort of inundated with screens and the cacophony of quick interaction, the profound energy and emotional resonance of verbal artistry often fade into obscurity, eclipsed by the continuous barrage of noise and distractions. Yet, situated within the lyrical pages of **Service Manual For 895international Brakes**, a charming work of literary elegance that pulses with raw thoughts, lies an memorable journey waiting to be embarked upon. Published by way of a virtuoso wordsmith, this interesting opus guides visitors on an emotional odyssey, softly exposing the latent possible and profound affect embedded within the complex internet of language. Within the heart-wrenching expanse with this evocative examination, we can embark upon an introspective exploration of the book is key themes, dissect their fascinating writing type, and immerse ourselves in the indelible impact it leaves upon the depths of readers souls.

https://letsgetcooking.org.uk/public/book-search/default.aspx/sample_resume_objective_for_basketball_coach.pdf

Table of Contents Service Manual For 895international Brakes

1. Understanding the eBook Service Manual For 895international Brakes
 - The Rise of Digital Reading Service Manual For 895international Brakes
 - Advantages of eBooks Over Traditional Books
2. Identifying Service Manual For 895international Brakes
 - Exploring Different Genres
 - Considering Fiction vs. Non-Fiction
 - Determining Your Reading Goals
3. Choosing the Right eBook Platform
 - Popular eBook Platforms
 - Features to Look for in an Service Manual For 895international Brakes
 - User-Friendly Interface
4. Exploring eBook Recommendations from Service Manual For 895international Brakes
 - Personalized Recommendations

- Service Manual For 895international Brakes User Reviews and Ratings
- Service Manual For 895international Brakes and Bestseller Lists
- 5. Accessing Service Manual For 895international Brakes Free and Paid eBooks
 - Service Manual For 895international Brakes Public Domain eBooks
 - Service Manual For 895international Brakes eBook Subscription Services
 - Service Manual For 895international Brakes Budget-Friendly Options
- 6. Navigating Service Manual For 895international Brakes eBook Formats
 - ePub, PDF, MOBI, and More
 - Service Manual For 895international Brakes Compatibility with Devices
 - Service Manual For 895international Brakes Enhanced eBook Features
- 7. Enhancing Your Reading Experience
 - Adjustable Fonts and Text Sizes of Service Manual For 895international Brakes
 - Highlighting and Note-Taking Service Manual For 895international Brakes
 - Interactive Elements Service Manual For 895international Brakes
- 8. Staying Engaged with Service Manual For 895international Brakes
 - Joining Online Reading Communities
 - Participating in Virtual Book Clubs
 - Following Authors and Publishers Service Manual For 895international Brakes
- 9. Balancing eBooks and Physical Books Service Manual For 895international Brakes
 - Benefits of a Digital Library
 - Creating a Diverse Reading Collection Service Manual For 895international Brakes
- 10. Overcoming Reading Challenges
 - Dealing with Digital Eye Strain
 - Minimizing Distractions
 - Managing Screen Time
- 11. Cultivating a Reading Routine Service Manual For 895international Brakes
 - Setting Reading Goals Service Manual For 895international Brakes
 - Carving Out Dedicated Reading Time
- 12. Sourcing Reliable Information of Service Manual For 895international Brakes
 - Fact-Checking eBook Content of Service Manual For 895international Brakes

- Distinguishing Credible Sources
- 13. Promoting Lifelong Learning
 - Utilizing eBooks for Skill Development
 - Exploring Educational eBooks
- 14. Embracing eBook Trends
 - Integration of Multimedia Elements
 - Interactive and Gamified eBooks

Service Manual For 895international Brakes Introduction

In this digital age, the convenience of accessing information at our fingertips has become a necessity. Whether its research papers, eBooks, or user manuals, PDF files have become the preferred format for sharing and reading documents. However, the cost associated with purchasing PDF files can sometimes be a barrier for many individuals and organizations. Thankfully, there are numerous websites and platforms that allow users to download free PDF files legally. In this article, we will explore some of the best platforms to download free PDFs. One of the most popular platforms to download free PDF files is Project Gutenberg. This online library offers over 60,000 free eBooks that are in the public domain. From classic literature to historical documents, Project Gutenberg provides a wide range of PDF files that can be downloaded and enjoyed on various devices. The website is user-friendly and allows users to search for specific titles or browse through different categories. Another reliable platform for downloading Service Manual For 895international Brakes free PDF files is Open Library. With its vast collection of over 1 million eBooks, Open Library has something for every reader. The website offers a seamless experience by providing options to borrow or download PDF files. Users simply need to create a free account to access this treasure trove of knowledge. Open Library also allows users to contribute by uploading and sharing their own PDF files, making it a collaborative platform for book enthusiasts. For those interested in academic resources, there are websites dedicated to providing free PDFs of research papers and scientific articles. One such website is Academia.edu, which allows researchers and scholars to share their work with a global audience. Users can download PDF files of research papers, theses, and dissertations covering a wide range of subjects. Academia.edu also provides a platform for discussions and networking within the academic community. When it comes to downloading Service Manual For 895international Brakes free PDF files of magazines, brochures, and catalogs, Issuu is a popular choice. This digital publishing platform hosts a vast collection of publications from around the world. Users can search for specific titles or explore various categories and genres. Issuu offers a seamless reading experience with its user-friendly interface and allows users to download PDF files for offline reading. Apart from dedicated platforms, search engines also play a crucial role in finding free PDF files. Google, for

instance, has an advanced search feature that allows users to filter results by file type. By specifying the file type as "PDF," users can find websites that offer free PDF downloads on a specific topic. While downloading Service Manual For 895international Brakes free PDF files is convenient, it's important to note that copyright laws must be respected. Always ensure that the PDF files you download are legally available for free. Many authors and publishers voluntarily provide free PDF versions of their work, but it's essential to be cautious and verify the authenticity of the source before downloading Service Manual For 895international Brakes. In conclusion, the internet offers numerous platforms and websites that allow users to download free PDF files legally. Whether it's classic literature, research papers, or magazines, there is something for everyone. The platforms mentioned in this article, such as Project Gutenberg, Open Library, Academia.edu, and Issuu, provide access to a vast collection of PDF files. However, users should always be cautious and verify the legality of the source before downloading Service Manual For 895international Brakes any PDF files. With these platforms, the world of PDF downloads is just a click away.

FAQs About Service Manual For 895international Brakes Books

How do I know which eBook platform is the best for me? Finding the best eBook platform depends on your reading preferences and device compatibility. Research different platforms, read user reviews, and explore their features before making a choice. Are free eBooks of good quality? Yes, many reputable platforms offer high-quality free eBooks, including classics and public domain works. However, make sure to verify the source to ensure the eBook credibility. Can I read eBooks without an eReader? Absolutely! Most eBook platforms offer web-based readers or mobile apps that allow you to read eBooks on your computer, tablet, or smartphone. How do I avoid digital eye strain while reading eBooks? To prevent digital eye strain, take regular breaks, adjust the font size and background color, and ensure proper lighting while reading eBooks. What the advantage of interactive eBooks? Interactive eBooks incorporate multimedia elements, quizzes, and activities, enhancing the reader engagement and providing a more immersive learning experience. Service Manual For 895international Brakes is one of the best books in our library for free trial. We provide a copy of Service Manual For 895international Brakes in digital format, so the resources that you find are reliable. There are also many eBooks of related with Service Manual For 895international Brakes. Where to download Service Manual For 895international Brakes online for free? Are you looking for Service Manual For 895international Brakes PDF? This is definitely going to save you time and cash in something you should think about. If you're trying to find then search around for online. Without a doubt there are numerous these available and many of them have the freedom. However, without a doubt you receive whatever you purchase. An alternate way to get ideas is always to check another Service Manual For 895international Brakes. This method for see exactly what

may be included and adopt these ideas to your book. This site will almost certainly help you save time and effort, money and stress. If you are looking for free books then you really should consider finding to assist you try this. Several of Service Manual For 895international Brakes are for sale to free while some are payable. If you arent sure if the books you would like to download works with for usage along with your computer, it is possible to download free trials. The free guides make it easy for someone to free access online library for download books to your device. You can get free download on free trial for lots of books categories. Our library is the biggest of these that have literally hundreds of thousands of different products categories represented. You will also see that there are specific sites catered to different product types or categories, brands or niches related with Service Manual For 895international Brakes. So depending on what exactly you are searching, you will be able to choose e books to suit your own need. Need to access completely for Campbell Biology Seventh Edition book? Access Ebook without any digging. And by having access to our ebook online or by storing it on your computer, you have convenient answers with Service Manual For 895international Brakes To get started finding Service Manual For 895international Brakes, you are right to find our website which has a comprehensive collection of books online. Our library is the biggest of these that have literally hundreds of thousands of different products represented. You will also see that there are specific sites catered to different categories or niches related with Service Manual For 895international Brakes So depending on what exactly you are searching, you will be able tochoose ebook to suit your own need. Thank you for reading Service Manual For 895international Brakes. Maybe you have knowledge that, people have search numerous times for their favorite readings like this Service Manual For 895international Brakes, but end up in harmful downloads. Rather than reading a good book with a cup of coffee in the afternoon, instead they juggled with some harmful bugs inside their laptop. Service Manual For 895international Brakes is available in our book collection an online access to it is set as public so you can download it instantly. Our digital library spans in multiple locations, allowing you to get the most less latency time to download any of our books like this one. Merely said, Service Manual For 895international Brakes is universally compatible with any devices to read.

Find Service Manual For 895international Brakes :

sample resume objective for basketball coach

sample tests 3rd grade core curriculum tests

sample questions civil service county caseworker exam

sample numeracy test for health visitors

sample papers of class 1physics sa1

sample notary test california

[sample letter stating financial support my daughter](#)

sample prayers for sunday school

[sample letter requesting documents](#)

[sample paper for iim ipm](#)

[sample solicitation letter for donations](#)

sample question paper of msbte 5th semester for computer engineering

sample ib economics extended essay

sample personal theory paper

sample of quality manual

Service Manual For 895international Brakes :

tshwane north tvet college courses offered fees - Jan 13 2023

web see full fees structure bursaries courses programmes offered by tshwane north tvet college also find detailed tshwane north tvet college application form

tshwane north college course prospectus 2014 2022 - Nov 11 2022

web tshwane north college course prospectus 2014 1 tshwane north college course prospectus 2014 balancing individualism and collectivism administration of training

tshwane north college course prospectus 2014 - Mar 15 2023

web april 12th 2018 browse and read tshwane north college prospectus for 2014 tshwane north college prospectus for 2014 it sounds good when knowing the

tshwane north college course prospectus 2014 pdf pdf - May 17 2023

web tshwane north college course prospectus 2014 pdf pdf digitalworkgroup skidmore edu created date 9 15 2023 11 21 16 pm

tshwane north college course prospectus 2014 pdf - Jul 19 2023

web apr 4 2023 tshwane north college course prospectus 2014 1 10 downloaded from uniport edu ng on april 4 2023 by guest tshwane north college course prospectus

tshwane north tvet college prospectus 2024 pdf download - Jul 07 2022

web download tshwane north college tnc prospectus 2024 pdf courses outline handbook brochure fees booklet for undergraduate postgraduate certificate distance

[faculties İstanbul](#) - Oct 30 2021

web faculty of business administration faculty of political sciences faculty of communication faculty of aquatic sciences
faculty of theology faculty of open and distance

[tshwane north tvet college prospectus pdf 2024 2025](#) - Aug 08 2022

web apr 20 2021 tshwane north tvet college prospectus pdf 2024 2025 see details below college overview tshwane north
technical and vocational education and

Istanbul university language center - Feb 02 2022

web to learn english and get detailed information about our courses you can visit the tophane branch office of istanbul
university language center or contact us at 90 212 243 67

tshwane north college course prospectus 2014 pdf - Sep 21 2023

web may 18 2023 tshwane north college course prospectus 2014 1 10 downloaded from uniport edu ng on may 18 2023 by
guest tshwane north college course prospectus

top universities in turkey 2023 university ranking unirank - Nov 30 2021

web find them in our comprehensive list of colleges and universities in asia by country since 2005 with unirank s world
universities search engine and rankings you can easily

tshwane north college course prospectus 2014 pdf full pdf - Dec 12 2022

web mar 6 2023 it is your definitely own become old to be in reviewing habit along with guides you could enjoy now is
tshwane north college course prospectus 2014 pdf below

[tshwane north tvet college prospectus 2024 applicationsa](#) - Apr 04 2022

web the management of the tshwane north tvet college tnc has released the undergraduate and postgraduate 2024
prospectus in pdf format for the prospective

tshwane north college course prospectus 2014 - Oct 10 2022

web mar 4 2023 tshwane north college course prospectus 2014 yeah reviewing a books tshwane north college course
prospectus 2014 could go to your near links listings

tshwane north tvet college prospectus pdf download - Jan 01 2022

web the tshwane north tvet college prospectus 2024 2025 is available in pdf format click below to download the 2024
tshwane north college prospectus if you have any

tshwane north tvet college prospectus 2024 pdf download - Feb 14 2023

web may 2 2023 a prospectus is an informational booklet that provides a detailed look at the tnc courses programs facilities
fees admissions requirements and more you will

Istanbul university - Mar 03 2022

web university dates back to the conquest of the city by sultan mehmet ii in 1453 the İstanbul university is among the first ten universities established in europe and now ranks

[programmes tshwane north tvet college](#) - Aug 20 2023

web specific college requirements apply passed grade 9 or higher with mathematics physical science utility studies nqf levels 2 4 minimum admission requirements

[tshwane north tvet college prospectus 2023 2024](#) - Sep 09 2022

web jun 11 2021 tshwane north tvet college prospectus 2023 2024 see details below college overview tshwane north technical and vocational education and

tshwane north college course prospectus 2014 pdf - Apr 16 2023

web jul 1 2023 once some harmful virus inside their computer tshwane north college course prospectus 2014 is affable in our digital library an online admission to it is set as public

programme offerings tshwane north tvet college - Jun 18 2023

web national certificate vocational duration admission requirements to obtain a national certificate generic management business studies one year per nqf level for all

[newly list of courses offered at tshwane north tvet college](#) - May 05 2022

web official list of tshwane north tvet college courses 2024 available for undergraduate ncv nated certificate engineering diploma degree short courses and distance

[tshwane north tvet college prospectus 2024 in pdf](#) - Jun 06 2022

web the 2024 tshwane north tvet college prospectus has been released and uploaded online for potential undergraduate ncv nated certificate diploma engineering and

ou vraestelle op die internet onnies online - Jun 04 2022

web jan 18 2022 volkies heidelberg pnhs hoërskoolvraestelle klik hier rekeningkunde vraestelle oos moot graad 9 en 10 wiskunde superonnies oos kaap vraestelle ece exams wiskunde geletterdheid criptotes verskeie vakke in google drive klik hier daar is ook honderde uitstekende vraestelle op teacha afriannie afrikaans eat

graad 7 afrikaans huistaal vraestelle en memorandums - Sep 19 2023

web jul 29 2020 hier is n gratis oefenvraestel en memorandum vir afrikaans huistaal vir graad sewes klik op die onderstaande skakel om die pdf dokument met die vraestel en memorandum te stoor vraestel en memorandum lees ook graad 7 afrikaans huistaal junie oefenvraestel 1

vraestelle leerhulp - Oct 08 2022

web afrikaans eerste addisionele taal vraestelle en memorandums afrikaans fal p1 nov 2017 afrikaans fal p1 nov 2017 memo

afrikaans fal p2 nov 2017 afrikaans fal p2 nov 2017 memo afrikaans fal p3 nov 2017 afrikaans fal p2 nov 2017 memo afrikaans huistaal vraestelle en memorandumums

graad 7 afrikaans huistaal vraestel 1 2 en 3 litnet - Jun 16 2023

web oct 29 2020 is jy in graad 7 en moet jy jou afrikaans nou blitsig onder die knie kry voor die eindeksamen litnet kan jou help met hierdie gratis oefenvraestelle en memorandumums vir vraestel 1 2 en 3 klik hier om die vraestelle en memorandumums in pdf formaat af te laai

41 top graad 7 afrikaans huistaal vraestelle teaching - Dec 10 2022

web explore more than 41 graad 7 afrikaans huistaal vraestelle resources for teachers parents and pupils help find lots of foundation intermediate and senior phase resources for south african teachers and educators aligned to the caps curriculum right here

indeks notas toetse en vraestelle litnet - Jul 05 2022

web aug 30 2023 wiskunde kwartaal 1 vraestel en memo 1 kwartaal 1 vraestel en memo 2 kwartaal 1 vraestel en memo 3 kwartaal 2 vraestel en memo kwartaal 3 selfmerktoets afrikaans eerste addisionele taal pret met afrikaans eerste addisionele taal oefening wiskunde kwartaal 1 vraestel en memo 1

graad 7 afrikaans huistaal junie oefenvraestel 1 litnet - Jan 11 2023

web may 31 2018 hier is n gratis oefenvraestel en memorandum vir afrikaans huistaal afdeling a leesbegrip afdeling b taalstrukture en konvensies afdeling c literatuurstudie klik op die onderstaande skakels om die pdf dokumente te stoor vraestel 1 vraestel 1

afrikaans ht graad 7 kwartaal 2 vraestel 2021 teacha - Feb 12 2023

web afrikaans ht graad 7 vraestel en memorandum die vraestel bestaan uit 4 vroe vraag 1 begripstoets literere nie literere teks 20 punte vraag 2 begripstoets visuele teks 10 punte vraag 3 opsomming 10 punte vraag 4 taalstruktuur en konvensies 20 punte

graad 7 afrikaans ht november vraestel and memo 2023 - May 15 2023

web oct 17 2023 graad 7 afrikaans ht november vraestel en memo totaal 60 marks tyd 60 min inhoud afdeling a begrip lees 20 punte afdeling b visuele geletterdheid 10 punte afdeling c opsommings 10 punte afdeling d taal 20 punte hierdie is n oefenvraestel met memorandum bedoel om die leerling se kennis te toets en sal nie

education worksheets for grade r 12 e classroom - Mar 01 2022

web education worksheets for grade r 12 e classroom

vraestelle afrikaans com - Sep 07 2022

web afrikaans huistaal vraestelle en memorandumums afrikaans hl p1 nov 2018 afrikaans hl p1 nov 2018 memo afrikaans hl p2

nov 2018 afrikaans hl p2 nov 2018 memo afrikaans hl p3 nov 2018 afrikaans hl p3 nov 2018 memo

graad 7 afrikaans eerste addisionele taal vraestel en - Mar 13 2023

web afrikaans eat graad 7 vraestel en memorandum die vraestel bestaan uit 4 vrae vraag 1 begripstoets literere nie literere teks 20 punte vraag 2 begripstoets visuele teks 10 punte vraag 3 opsomming 10 punte vraag 4 taalstruktuur en konvensies 20 punte anita vogel store related resources

graad 7 voorbeeld oefen eksamen vraestelle antwoorde caps - Nov 09 2022

web graad 7 eksamen vraestelle en antwoorde is die vlagskip leerprogram vir graad 7 leerders in ons reeks produkte hierdie program bied caps gebaseerde voorbeeld vraestelle vir graad 7 leerders om voor te berei vir toetse en eksamens met oefenvraestelle is een van die doeltreffendste maniere om te leer en is n uiters belangrike deel van

graad 7 ekonomiese bestuurswetenskappe e classroom - Apr 02 2022

web download education worksheets for maths english science and technology life skills social science afrikaans health and hygiene environment email protected 27 0 21 785 1214

graad 7 vraestel leesbegrip en taal graad 7 huistaal - Jul 17 2023

web vraestel leesbegrip en taal graad 7 huistaal deur marida myburgh c n primêre meisieskool oranje lees en kyk vraag 1 lees die leesstuk noukeurig deur en beantwoord die vrae wat volg suzellediy voorwoord baie mense vra my suzelle waar kom jy aan al jou idees

ou vraestelle laerskool edleen - Aug 06 2022

web vorige vraestelle past papers graad 7 grade 7 graad 6 grade 6 graad 5 grade 5 graad 4 grade 4 graad 3 grade 3 graad 2 grade 2 graad 1 grade 1 laerskool edleen

graad 7 eksamen vraestelle onnies online - Aug 18 2023

web jan 1 2021 graad 7 kwartaal 4 wiskunde oefenvraestel 1 natuurlikewetenskappe en tegnologie graad 7 kwartaal 4 nw oefenvraestel 1 graad 7 natuurwetenskappe opsommings kwartaal 4 pakket sosialewetenskappe graad 7 kwartaal 4 geskiedenis oefenvraestel 1 graad 7 aardrykskunde kontrole toets kwartaal 4 word

grade 7 afrikaans eerste addisionele taal past exam papers - Jan 31 2022

web internal consistency measuring α 0 7 was considered acceptable pre session questionnaire α 0 72 seven items and post session questionnaire α 0 72 12 items instructor perceptions semi structured interviews were conducted to evaluate instructor perceptions towards the virtual session and consisted of 12 core questions see

afrikaans huistaal gr 7 eindjaareksamen c1 teacha - May 03 2022

web vraestel 1 mondeling hardoplees drama luister en praat praatjie vraestel 2 afdeling a begrip lees visuele teks afdeling b taal in konteks teks 1 2 afdeling c letterkunde poësie keuse vraag x 2 prosa keuse vraag x 2 vraestel 3 opstel verhalende

opstel transaksionele teks

graad 7 afrikaans huistaal vraestel en memo derde kwartaal - Apr 14 2023

web aug 19 2022 1 daar was eens n graad sewe wie se broek nie kon ophou bewe sê litnet hierdie afrikaans vraestel kan jou red laai af en werk uit dis boonop groot pret jy kan na volpunte strew

envision mathematics common core 2020 2021 edreports - Nov 06 2022

web dec 3 2020 math k 2 the instructional materials reviewed for envision mathematics common core kindergarten 2 meet expectations for alignment to the standards and usability the instructional materials meet expectations for gateway 1 focus and coherence gateway 2 rigor and balance and practice content connections and gateway 3

envisionmath 2 0 grade 6 volume 1 1st edition quizlet - Mar 10 2023

web now with expert verified solutions from envisionmath 2 0 grade 6 volume 1 1st edition you ll learn how to solve your toughest homework problems our resource for envisionmath 2 0 grade 6 volume 1 includes answers to chapter exercises as well as detailed information to walk you through the process step by step

envisionmath2 0 program k 8 savvas formerly pearson k12 - Jul 14 2023

web envisionmath2 0 is a comprehensive k 8 mathematics curriculum with superior focus coherence and rigor ensure success at every level with problem based learning embedded visual learning and personalization to empower every teacher and student

envision math topic 1 quiz worksheets teaching resources - Feb 26 2022

web includes 10 questions each worth 2 points for a total of 20 points on the quiz types of questions included place value standard expanded and word form rounding comparing numbers envision math grade five topic 4 quiz lessons 1 3 multiply decimals by powers of 10 estimate the product of a decimal and a whole number use models to

results for envision math 2nd grade test tpt - Jul 02 2022

web envision math 2nd grade topic test reviews created by rebecca seeley if you re like me you re not too fond of the assessments that envision math provided to test your little learners this is a set of reviews for all 16 topics taught

results for envision math test topic 7 tpt - Jan 28 2022

web the test is 20 multiple choice questions assessing a student s understanding of multiplication and division subjects algebra math test prep word problems grades 3rd types assessment add to cart wish list 4th grade multiplication savvas envision math topic 7 test review with key by magic with miss l 1 25 zip teaching 4th grade math

envision math kindergarten topic tests tpt - Dec 07 2022

web browse envision math kindergarten topic tests resources on teachers pay teachers a marketplace trusted by millions of teachers for original educational resources browse catalog grade level

results for envisions math topic tests tpt - Jan 08 2023

web the 2020 2024 version is also available in my shop what is this product this is a math test designed from the envision math curriculum for fourth grade the questions cover all the topics and lessons from the chapter but are much clearer than the current tests they are based more on the independent practice sections from each lesson

envisionmath 2 0 grade 7 volume 2 1st edition quizlet - Apr 11 2023

web at quizlet we re giving you the tools you need to take on any subject without having to carry around solutions manuals or printing out pdfs now with expert verified solutions from envisionmath 2 0 grade 7 volume 2 1st edition you ll learn how to solve your toughest homework problems

envision math topic 20 response test - Apr 30 2022

web jun 29 2015 envision florida geometry 2020 envision mathematics randall inners charles 2020 the great mental models general thinking concepts farnam street 2019 12 16 the old saying goes to the man with a hammer everything looks like a nail but anyone who has done any kind of project knows a hammer often isn t enough

results for envisions topic 2 6th tpt - Dec 27 2021

web envision math topic 2 bundletopic vocabulary integers rational numbers absolute value graphing comparing ordering rational numbers ordered pairs coordinate plane determining positive negative value and sea level save 10 00 by purchasing the bundle each activity is sold separately 12 activities includedall activities have directions

envision math answer key envision math answer key for - Oct 05 2022

web envision math common core answer key for grade 8 7 6 5 4 3 2 1 and k envision math common core kindergarten answer key envision math common core grade 1 answer key envision math common core grade 2 answer key envision math common core grade 3 answer key envision math common core grade 4 answer key

envision math diagnostic assessment savvas learning - Jun 13 2023

web envision mathematics program is a nationally recognized award winner now you can make even better when you add the new savvas math screener diagnostic assessments grades k 8 recently recognized by tech learning as

envision topic tests worksheets teaching resources tpt - Sep 04 2022

web if you re like me you re not too fond of the assessments that envision math provided to test your little learners this is a set of reviews for all 16 topics taught in the first grade envision math series no prep print and go kid friendly and easy to read focus on showing work how they kno

results for envision math test tpt - May 12 2023

web jamie seymour this is a four page assessment for the envision math series topic 1 numeration it could also be used with any unit studying place value standard form expanded form word form of numbers counting money making change ordering

numbers and comparing numbers

envision math 2nd grade topic test reviews tpt - Jun 01 2022

web this is a set of reviews for all 16 topics taught in the second grade envision math series no prep print and go kid friendly and easy to read focus on showing work how they know rather than multiple choice can be used for review before the assessment as an alternate assessment or a pre assessment to create differentiated groups

envisionmath2 0 common core k 5 savvas learning company - Feb 09 2023

web empowering every teacher and learner envisionmath2 0 common core is a comprehensive mathematics curriculum for grades k 5 it offers the flexibility of print digital or blended instruction envisionmath2 0 provides the focus coherence and rigor of the common core state standards

envision math topic 20 test pdf uniport edu - Mar 30 2022

web nov 20 2019 envision math topic 20 test 2 8 downloaded from uniport edu ng on june 8 2023 by guest misdiagnoses of special needs makes language come alive for children and educators preparing for the praxis test demonstrates that children develop key skills when they can dis assemble language highlights approaches dr seuss used to make

envision mathematics 2020 for grades k 5 savvas learning - Aug 15 2023

web a complete mathematics program for grades k 5 you re going to love what you see new k 5 envision mathematics 2020 is the only math program that combines problem based learning and visual learning to deepen students conceptual understanding envision is used by classrooms across the country and around the world

mathematics mrs zeneli s class - Aug 03 2022

web envision math topic 1 generalize place value understanding standard cc 2 1 4 b 2 use place value understanding and properties of operations to perform multi digit arithmetic envision math topic 2 fluently add and subtract multi digit whole numbers topic 3 use strategies and properties to multiply by 1 digit numbers