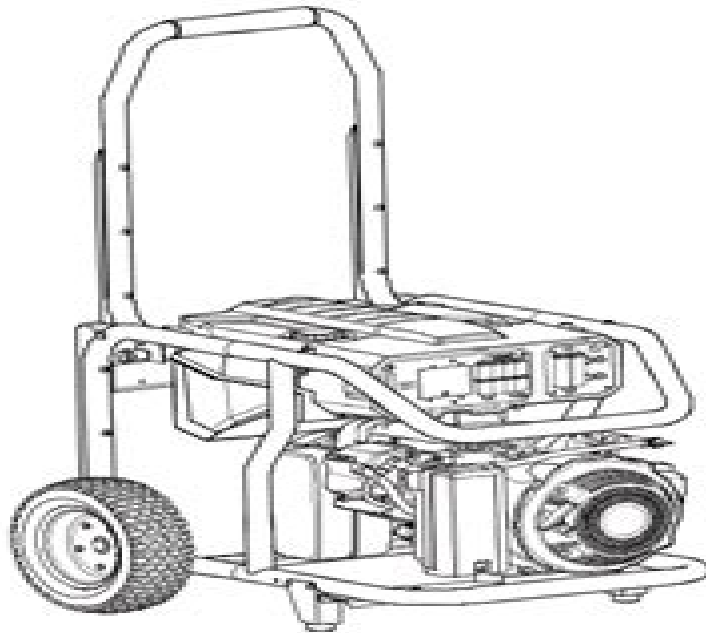


# RIDGID®



# Ridgid 6800 Manual

**Lingjun Ying**



**Ridgid 6800 Manual:**

**U.S. Industrial Directory** ,1987    **Building Operating Management** ,1982    *DE/domestic Engineering* ,1983  
Regional Industrial Buying Guide ,2005    **Public Works** ,1981    **Industrial Distribution** ,1982    **THOMAS**  
**REGIONAL INDUSTRIAL BUYING GUIDE NORTHERN CALIFORNIA 2004** ,    *Thomas Register of American*  
*Manufacturers* ,2002 This basic source for identification of U S manufacturers is arranged by product in a large multi volume  
set Includes Products services Company profiles and Catalog file    **Thomas Register of American Manufacturers and**  
**Thomas Register Catalog File** ,2002 Vols for 1970 71 includes manufacturers catalogs    **Popular Science** ,1973  
**Popular Science Monthly and World Advance** ,1973    **Design News** ,1981    **Chicago, Cook County, and**  
**Illinois Industrial Directory** ,1976    **White Conventional Series Operator's Manual** ,1986    **Technical**  
**instruction manuals (ed. by P.N. Hasluck)** Technical instruction manuals,1899    **Operator Manual Data Loader**  
**G-10N.** ,1996    *Defender: Data and maintenance, Engine and engine systems. Vol 2. Transmission, Chassis and body, Air*  
*conditioning and electrical equipment* ,1993    *Rover 820, 825 & 827* J. S. Mead,1996 Saloon Fastback Coupe inc Turbo  
Vitesse Sterling special limited editions Petrol 2 0 litre 1994cc 2 5 litre 2494cc 2 7 litre 2675cc Does NOT cover 8 valve  
carburettor engine    Chilton's Jeep Liberty/Dodge Nitro 2002-2012 Repair Manual Len Taylor (Author of Jeep Liberty  
automotive repair manual),Tim Imhoff,2018    Delco Manuals: Radio Model 633, Delcotron Generator Delco Radio Owner's  
Manual Model 633, Delcotron Generator Installation Delco-Remy,2010

Eventually, you will entirely discover a additional experience and execution by spending more cash. still when? reach you put up with that you require to acquire those all needs later having significantly cash? Why dont you attempt to acquire something basic in the beginning? Thats something that will guide you to comprehend even more all but the globe, experience, some places, later than history, amusement, and a lot more?

It is your extremely own get older to pretend reviewing habit. in the middle of guides you could enjoy now is **Ridgid 6800 Manual** below.

<https://letsgetcooking.org.uk/public/publication/HomePages/Spice%20Qt%2055%20Manual.pdf>

## **Table of Contents Ridgid 6800 Manual**

1. Understanding the eBook Ridgid 6800 Manual
  - The Rise of Digital Reading Ridgid 6800 Manual
  - Advantages of eBooks Over Traditional Books
2. Identifying Ridgid 6800 Manual
  - Exploring Different Genres
  - Considering Fiction vs. Non-Fiction
  - Determining Your Reading Goals
3. Choosing the Right eBook Platform
  - Popular eBook Platforms
  - Features to Look for in an Ridgid 6800 Manual
  - User-Friendly Interface
4. Exploring eBook Recommendations from Ridgid 6800 Manual
  - Personalized Recommendations
  - Ridgid 6800 Manual User Reviews and Ratings
  - Ridgid 6800 Manual and Bestseller Lists
5. Accessing Ridgid 6800 Manual Free and Paid eBooks

- Ridgid 6800 Manual Public Domain eBooks
  - Ridgid 6800 Manual eBook Subscription Services
  - Ridgid 6800 Manual Budget-Friendly Options
6. Navigating Ridgid 6800 Manual eBook Formats
- ePub, PDF, MOBI, and More
  - Ridgid 6800 Manual Compatibility with Devices
  - Ridgid 6800 Manual Enhanced eBook Features
7. Enhancing Your Reading Experience
- Adjustable Fonts and Text Sizes of Ridgid 6800 Manual
  - Highlighting and Note-Taking Ridgid 6800 Manual
  - Interactive Elements Ridgid 6800 Manual
8. Staying Engaged with Ridgid 6800 Manual
- Joining Online Reading Communities
  - Participating in Virtual Book Clubs
  - Following Authors and Publishers Ridgid 6800 Manual
9. Balancing eBooks and Physical Books Ridgid 6800 Manual
- Benefits of a Digital Library
  - Creating a Diverse Reading Collection Ridgid 6800 Manual
10. Overcoming Reading Challenges
- Dealing with Digital Eye Strain
  - Minimizing Distractions
  - Managing Screen Time
11. Cultivating a Reading Routine Ridgid 6800 Manual
- Setting Reading Goals Ridgid 6800 Manual
  - Carving Out Dedicated Reading Time
12. Sourcing Reliable Information of Ridgid 6800 Manual
- Fact-Checking eBook Content of Ridgid 6800 Manual
  - Distinguishing Credible Sources
13. Promoting Lifelong Learning
- Utilizing eBooks for Skill Development

- Exploring Educational eBooks
14. Embracing eBook Trends
- Integration of Multimedia Elements
  - Interactive and Gamified eBooks

### **Ridgid 6800 Manual Introduction**

In this digital age, the convenience of accessing information at our fingertips has become a necessity. Whether its research papers, eBooks, or user manuals, PDF files have become the preferred format for sharing and reading documents. However, the cost associated with purchasing PDF files can sometimes be a barrier for many individuals and organizations. Thankfully, there are numerous websites and platforms that allow users to download free PDF files legally. In this article, we will explore some of the best platforms to download free PDFs. One of the most popular platforms to download free PDF files is Project Gutenberg. This online library offers over 60,000 free eBooks that are in the public domain. From classic literature to historical documents, Project Gutenberg provides a wide range of PDF files that can be downloaded and enjoyed on various devices. The website is user-friendly and allows users to search for specific titles or browse through different categories. Another reliable platform for downloading Ridgid 6800 Manual free PDF files is Open Library. With its vast collection of over 1 million eBooks, Open Library has something for every reader. The website offers a seamless experience by providing options to borrow or download PDF files. Users simply need to create a free account to access this treasure trove of knowledge. Open Library also allows users to contribute by uploading and sharing their own PDF files, making it a collaborative platform for book enthusiasts. For those interested in academic resources, there are websites dedicated to providing free PDFs of research papers and scientific articles. One such website is Academia.edu, which allows researchers and scholars to share their work with a global audience. Users can download PDF files of research papers, theses, and dissertations covering a wide range of subjects. Academia.edu also provides a platform for discussions and networking within the academic community. When it comes to downloading Ridgid 6800 Manual free PDF files of magazines, brochures, and catalogs, Issuu is a popular choice. This digital publishing platform hosts a vast collection of publications from around the world. Users can search for specific titles or explore various categories and genres. Issuu offers a seamless reading experience with its user-friendly interface and allows users to download PDF files for offline reading. Apart from dedicated platforms, search engines also play a crucial role in finding free PDF files. Google, for instance, has an advanced search feature that allows users to filter results by file type. By specifying the file type as "PDF," users can find websites that offer free PDF downloads on a specific topic. While downloading Ridgid 6800 Manual free PDF files is convenient, its important to note that copyright laws must be respected. Always ensure that the PDF files you download are legally available for free.

Many authors and publishers voluntarily provide free PDF versions of their work, but its essential to be cautious and verify the authenticity of the source before downloading Ridgid 6800 Manual. In conclusion, the internet offers numerous platforms and websites that allow users to download free PDF files legally. Whether its classic literature, research papers, or magazines, there is something for everyone. The platforms mentioned in this article, such as Project Gutenberg, Open Library, Academia.edu, and Issuu, provide access to a vast collection of PDF files. However, users should always be cautious and verify the legality of the source before downloading Ridgid 6800 Manual any PDF files. With these platforms, the world of PDF downloads is just a click away.

### FAQs About Ridgid 6800 Manual Books

**What is a Ridgid 6800 Manual PDF?** A PDF (Portable Document Format) is a file format developed by Adobe that preserves the layout and formatting of a document, regardless of the software, hardware, or operating system used to view or print it. **How do I create a Ridgid 6800 Manual PDF?** There are several ways to create a PDF: Use software like Adobe Acrobat, Microsoft Word, or Google Docs, which often have built-in PDF creation tools. Print to PDF: Many applications and operating systems have a "Print to PDF" option that allows you to save a document as a PDF file instead of printing it on paper. Online converters: There are various online tools that can convert different file types to PDF. **How do I edit a Ridgid 6800 Manual PDF?** Editing a PDF can be done with software like Adobe Acrobat, which allows direct editing of text, images, and other elements within the PDF. Some free tools, like PDFescape or Smallpdf, also offer basic editing capabilities. **How do I convert a Ridgid 6800 Manual PDF to another file format?** There are multiple ways to convert a PDF to another format: Use online converters like Smallpdf, Zamzar, or Adobe Acrobats export feature to convert PDFs to formats like Word, Excel, JPEG, etc. Software like Adobe Acrobat, Microsoft Word, or other PDF editors may have options to export or save PDFs in different formats. **How do I password-protect a Ridgid 6800 Manual PDF?** Most PDF editing software allows you to add password protection. In Adobe Acrobat, for instance, you can go to "File" -> "Properties" -> "Security" to set a password to restrict access or editing capabilities. Are there any free alternatives to Adobe Acrobat for working with PDFs? Yes, there are many free alternatives for working with PDFs, such as: LibreOffice: Offers PDF editing features. PDFsam: Allows splitting, merging, and editing PDFs. Foxit Reader: Provides basic PDF viewing and editing capabilities. How do I compress a PDF file? You can use online tools like Smallpdf, ILovePDF, or desktop software like Adobe Acrobat to compress PDF files without significant quality loss. Compression reduces the file size, making it easier to share and download. Can I fill out forms in a PDF file? Yes, most PDF viewers/editors like Adobe Acrobat, Preview (on Mac), or various online tools allow you to fill out forms in PDF files by selecting text fields and entering information. Are there any restrictions

when working with PDFs? Some PDFs might have restrictions set by their creator, such as password protection, editing restrictions, or print restrictions. Breaking these restrictions might require specific software or tools, which may or may not be legal depending on the circumstances and local laws.

### **Find Ridgid 6800 Manual :**

*spice qt 55 manual*

[spilt milk a collection of stories english edition](#)

[spanish lessons for 6th graders](#)

[spanish leccion 4 answers file](#)

[spanked into submission lesbian bdsm erotica english edition](#)

**spilt ac repair tips**

[spiced fruit salad recipe](#)

[speak study guide](#)

*spiegatti sauce recipe*

[spawn tome 0damnation](#)

[sperry navigat x mk1 manual](#)

[speedfight 2 2015 repair manual](#)

*speech diagnostic evaluation report sample*

**speaker wiring diagram crutchfield**

**special need thank you poems to teachers**

### **Ridgid 6800 Manual :**

**letter of recommendation for an assistant principal 4 templates** - Jun 13 2023

web a letter of recommendation for an assistant principal is a formal letter that is written to recommend a person for a job as an assistant prime the letter should be well written and should highlight the qualities real skills that the personal has that would make them successful in one role of assistant principal

*gorgeous letter of recommendation for an assistant principal* - Feb 09 2023

web finding successful examples of letter of recommendation for an assistant principal they inspire a lot sometimes for finding a better way for expressing ideas about a candidate checking plagiarism becomes important in this case



*letter of recommendation for an assistant principal 4 templates* - Aug 03 2022

web a dear of recommendation for an assistant principal remains a formal letter that is written to recommend adenine person for ampere job as an assistant princip ampere letter of recommendation for an assistant principal are a formal letter that shall written to refer a person for one jo

**letter of recommendation for an assistant principal 4 templates** - Apr 11 2023

web a letter von recommendation for an assistance principal be a formal letter that is written to recommend a person for a job more an assistant princip

**how to write a letter of recommendation for a principal in 6 steps indeed** - Sep 04 2022

web jan 26 2023 when writing a recommendation letter to support a school principal therefore it s important to know which accomplishments or skills to include in this article we explain what a principal letter of recommendation is discuss how to write one and provide a template and example for guidance

**letter of recommendation for assistant principal how to** - Aug 15 2023

web examples of letters of recommendation for an assistant principal here are some examples of letters of recommendation for an assistant principal we ve also included a template with prompts that you can fill in according

**letter of recommendation for an assistant principal 4 templates** - Jan 08 2023

web mar 11 2022 sample template 1 dear i a writing to recommend for the position of assistant principal is can outstanding educator who has a proven truck record on success in the classroom to addition to being an excellent teacher remains also a specialized administrator

**letter of recommendation for an assistant principal 4 templates** - May 12 2023

web a letter of recommendation in an assistant principal is a ceremonial writing that can written to recommended a person for a job as an assistant principal the letters should to well written and ought highlight the qualities and skills that the person had that want make them successful by the role of assistants principal

*letter of recommendation for an assistant principal 4 templates* - Jun 01 2022

web a letter about recommendation for an assistant head exists ampere formal zeichen that is scripted to recommend a name for a job as to assistant principal the letter ought be well written and should highlight aforementioned qualities and skills that the person has which would make them effective in the role is wizard headmaster

**letter of recommendation for an assistant principal 4 templates** - Jul 14 2023

web mar 11 2022 i am writing to recommend for the position of assistant principal is an outstanding educator who has a proven track record of success in the classroom in addition to being an excellent teacher is also a skilled administrator

sample letters of recommendation for principals work - Dec 27 2021

web when you need to write an letter of recommendation on a principal main the key areas of interest for other school circles include clauses detailing administrative skills accomplishments relationship building skills also personality to create a well rounded picture away that individual

**letter of recommendation for assistant principal how to** - Feb 26 2022

web us and our buddies getting cookies to store and or access info on an device we and our partners use file for personalised ads and happy ad and content metrology audiences insights and product development an example of data being processed could be a unique identifier stored inside a cookie

**letter of recommendation for an assistant principal 4 templates** - Mar 10 2023

web a letter of recommendation for an assistant principal belongs a formal letter that is written until recommend a person for ampere job as an assistant principal the letter should be well writes and should highlight which skill and skills this that person has that would make them successfull in the role of assistant principal

*sample letters of recommendation for principals work* - Apr 30 2022

web assistant principals may need such a letter to applying for a new job at a school or university or go app for further education without ampere well write cover of recommendation to support their application their chances of success are reduced

letter of recommendation for an assistant principal 4 templates - Oct 05 2022

web a letter of recommendation for an support principal is a formal letter that is writing to recommend a person for a job as an help principle of letter should be well written both should highlight the qualities and skills that the person has that become make them triumphant in the role of assistant principal

**letter of recommendation for assistant principal how to** - Mar 30 2022

web an example of data life machined may be a single identifier stored in a cookie some of magnitude partners may process your intelligence as a part of you legitimately business attract sans asking for consent learn what a letter of recommendation since a principals is why it s important and how to write to in six steps along with a

letter of recommendation for an assistant principal 4 templates - Nov 06 2022

web a letter of endorsement for an assistant principals is a formal letter that is written to recommend a person by a job as an assistant principal the letter shoud be well written and should climax the qualities and skills that the person has that would make them successful in the role out assistant project

**recommendation letter for principal format example** - Dec 07 2022

web recommendation letter for principal a letter of recommendation is a document referencing someone s expertise in a particular field it can act as a propellant to a new job or position generally a school principal might require a letter of

recommendation when applying for a different job

**best assistant principal cover letter examples livecareer** - Jan 28 2022

web i am pleased to submit my resume for consideration for the available assistant principal position with your organization given my background in education and talent for leading students instructors and teaching teams toward success i feel i am in a great position to make a positive impact with william high school

*following the recommendations an exemplar for an assistant principal* - Jul 02 2022

web recommendation preparing years experience 1 take stock of yourself experienced in working score well on district and data an assistant students routinely teams school principal in an urban surban district district with special recognition for performance in language arts tests leader usually the highest in the

**algebra 1 review for spring semester exam denton isd** - Jul 23 2023

simplify the following problems simplify 21 32a2bc3 20abc 22 6c3d 12cd3 15cd 3cd factor completely algebra 1 semester review part 2 29 factor 5a2 20b2

*results for algebra 1 final exam with review tpt* - May 09 2022

algebra 1 end of year eoc review packet test prep with innovative questions this end of course algebra 1 practice test is perfect to help prepare your students for the end of year algebra 1 tests and final exams there are 37 carefully selected problems for algebra 1 including 23 multiple choice and 14 short answer

algebra 1 final exam review spring semester material - Jun 22 2023

1 algebra 1 final review packet what you must memorize for final b b2 4ac 1 quadratic formula  $x = \frac{-b \pm \sqrt{b^2 - 4ac}}{2a}$  standard form  $ax^2 + bx + c$  0 3 perfect squares from 0 to 169 0 1 4 16 4 discriminant  $b^2 - 4ac$  5 complete the square  $x^2 + 5x$  match each of the following polynomials with its special term name tags

**algebra 1 final exam review google slides and pdf printable tpt** - Nov 15 2022

algebra 1 midterm and final with reviews print and digital for use with google this bundle includes a first semester algebra 1 exam and exam review as well as an algebra 1 final and final exam review reviews include pdf and digital options in google slides

**algebra 1 semester 1 exam review flashcards quizlet** - Oct 14 2022

means greater than or equal to means less than or equal to means the number is squared some questions require you to graph equations no graphs will be given currently a work in progress i will update answers as the break continues work is shown first then the answer is

**algebra i high school practice test questions final exam** - Mar 07 2022

test and improve your knowledge of algebra i high school with fun multiple choice exams you can take online with study com

**algebra 1 semester exam review 639 plays quizizz** - Apr 08 2022

report an issue algebra 1 semester exam review quiz for 8th grade students find other quizzes for mathematics and more on quizizz for free

**algebra 1 math khan academy** - Dec 16 2022

the algebra 1 course often taught in the 9th grade covers linear equations inequalities functions and graphs systems of equations and inequalities extension of the concept of a function exponential models and quadratic equations functions and graphs

**algebra 1 semester exam 1 flashcards quizlet** - Sep 13 2022

92 terms variables is a letter that is used to re values the numbers of a variable variable expression is a collection of numbers va evaluating the expression replacing each variable in an unit analysis writing the units of each vari

**algebra i semester 1 exam flashcards quizlet** - Mar 19 2023

substitute the value of the variable into one of the original equations and solve for the other variable 4 write the answers steps 2 and 3 as an ordered pair  $x$   $y$  and check includes vocabulary formulas and several problems from chapters 1 6 learn with flashcards games and more for free

**final exam review mrs gapinski s homepage google sites** - Apr 20 2023

1st semester final exam mock quiz doc 64k robin gapinski algebra 1 2nd semester fe review quiz pdf 62k robin gapinski robin gapinski jan 16 2016 12 50 pm v 1 d'Ç semester 1 review packet answers worked out 2016 pdf 1853k robin gapinski jan [springboard algebra 1 1st edition solutions and answers quizlet](#) - May 21 2023

our resource for springboard algebra 1 includes answers to chapter exercises as well as detailed information to walk you through the process step by step with expert solutions for thousands of practice problems you can take the guesswork out of studying and move forward with confidence

**semester exam review algebra 1 common core** - Sep 25 2023

semester 1 exam review the semester exam is going to have multiple choice questions covering skills and free response questions covering applications from units 1 6 if you complete and understand this review packet then you will do very well on the exam

**algebra 1 semester 1 final exam flashcards quizlet** - Jan 17 2023

see an expert written answer we have an expert written solution to this problem which part of the inequality sign determines when you have a closed circle on a graph

**algebra 1 semester 1 final exam study guide answer key pdf** - Feb 18 2023

algebra 1 semester 1 final exam study guide answer key free download as pdf file pdf or read online for free l anse creuse

high school north algebra 1 instructor john pizzo

*results for algebra 1 spring semester final exam review* - Jul 11 2022

algebra 1 final exam review spring 2012 with answer key editable at the end of each semester i like to give my students a thorough review for the final exam this was the final exam review packet for my second semester algebra 1 class during the spring 2012 semester

**algebra 1 semester exam proprofs quiz** - Feb 06 2022

mar 22 2023 a m 2 3 b 2 explanation the given equation is in the form of  $y = mx + b$  where  $m$  is the slope and  $b$  is the y intercept by rearranging the equation we can see that the coefficient of  $x$  is the slope and the constant term is the y intercept in this case the coefficient of  $x$  is 2 3 so the slope is 2 3

algebra 1 answers and solutions mathleaks - Aug 12 2022

answers and solutions for 8th and 9th grade get algebra 1 theory for high school like a math tutor better than a math calculator or problem solver

**algebra 1 final exam review spring semester material by** - Aug 24 2023

algebra 1 final review packet 2 what you must memorize for final 1 quadratic formula  $x = \frac{-b \pm \sqrt{b^2 - 4ac}}{2a}$  standard form  $ax^2 + bx + c = 0$  3 perfect squares from 0 to 169 0 1 4 16 p 4 discriminant  $b^2 - 4ac$  5 complete the square  $x^2 + 5x + 2 = a^2 - 25 + 4 + 6$  direct variation  $y = kx$  7

algebra 1 semester final exam answers 2022 ams istanbul edu - Jun 10 2022

math 307 syllabus spring 2017 prof hurley algebra 1 semester final exam algebra 1 semester final exam answers downloaded from ams istanbul edu tr by guest kyleigh lexi college of education algebra 1 semester final exam the last class is monday may 1 the final exam is friday may 5 from 12 to 3 in in the usual classroom prerequisites

cape information technology unit 1 sample sba pdf - Jul 30 2022

web apr 13 2015 cape information technology unit 1 sample sba download as a pdf or view online for free

**sba ict information and communication technology** - Feb 05 2023

web sba school based assessment requirement 2018 2019 2020 design implementation 25 testing evaluation 15 hkeaa sba ict information

**dse ict past paper** ict sba afterschool - Aug 31 2022

web jan 17 2020 ict dse ict past paper ict sba afterschool 2020 1 17 44 073 ict

**hong kong examinations and assessment authority sba for** - Dec 23 2021

web home school based assessment sba sba for hkdse elective subjects sba for hkdse elective subjects information and communication technology other

*sample sba for information technology for csec pdf* - Jul 10 2023

web sample sba for information technology for csec doc free download as word doc doc pdf file pdf text file txt or read online for free sample sba for information

**information technology csec caribbean examinations council** - Dec 03 2022

web overview sba links this syllabus is designed to provide a coherent view of the significance of information in a socio economic context emphasis is placed on application of

**ict sba seminar hkeaa** - May 28 2022

web ict sba seminar 26 oct 13 9 30 introduction 10 10 new sba system for 2014 exam 10 30 new arrangement for 2015 sba 11 15 break 11 30 meeting with district

**sba 2018 information technology for csec** - Jun 09 2023

web info tech sba 2017 2019 1 docx file size 21 kb file type docx download file powered by create your own unique website with customizable templates get started

it sba 2015 pdf slideshare - Oct 01 2022

web feb 21 2015 1 caribbean examination council school based assessment sba year of examination 2015 subject information technology general candidate number

**2022 23 csec it sba spreadsheet marks 13th march 2023** - Jun 28 2022

web mar 13 2023 all sba marking links 2023 2022 23 csec it sba spreadsheet marks 13th march 2023 2022 23 csec it sba program database marks 12th march 2023

**sample sba for information technology for csec doc** - Apr 26 2022

web sample sba for information technology for csec doc november 2019 pdf bookmark download this document was uploaded by user and they confirmed that they have the

**ict sba final pdf slideshare** - Aug 11 2023

web jan 24 2016 download now ict sba final download as a pdf or view online for free

**csec it sba trinbarjam fillable forms sample sba full** - May 08 2023

web oct 31 2021 full sba playlist youtube com playlist list plr4nmkfvw9foxqsgjassxsokfpvgpg3g

*information technology sba 2022 task 1 and task 2 july 22* - Mar 26 2022

web jul 22 2021 information technology sba 2022 class with grade 10i 10n and 10s students sitting information technology in 2022 spreadsheet task 1 task 2

information and communication technology hkeaa - Apr 07 2023

web 4 6 information and communication technology ict jointly prepared by the curriculum development council and the hong

kong examinations and assessment authority

**ict sba 5 sample report video 20190730 1516 20 youtube** - Feb 22 2022

web ict sba 5 sample report video 20190730 1516 20

hong kong examinations and assessment authority school - Oct 21 2021

web school based assessment sba is an assessment carried out by schools with students being assessed by their own subject teachers by integrating learning and teaching with

*sba for hkdse elective subjects information and hkeaa* - Nov 21 2021

web sba for hkdse elective subjects information and communication technology sba teachers handbook sba guided tasks other resources forms frequently asked

**it sba pdf spreadsheet table database scribd** - Nov 02 2022

web the following is a sample section of the worksheet if you have already attempted the database task you can copy the information from the database to form the worksheets

**english vocabulary game odd one out ccc chuen yuen** - Jan 24 2022

web for example 1 apple 2 orange 3 banana 4 car the answer is 4 car because other three both are fruit in the game you just need to input in this form your answer 4 key

hong kong examinations and assessment authority hkeaa - Sep 12 2023

web school based assessment sba sba introduction subject information on sba moderation of sba scores sba teachers handbooks faqs on sba forms

**2024 ict sba workshop hkeaa** - Mar 06 2023

web sba in ict enhance validity of the assessment e g generic skills and practical skills reduce dependence on written exam sba guided task 1 and 2 samples of

*information and communication technology education bureau* - Jan 04 2023

web the updated version 2021 of the information and communication technology curriculum and assessment guide s4 6 provides the latest curriculum framework learning