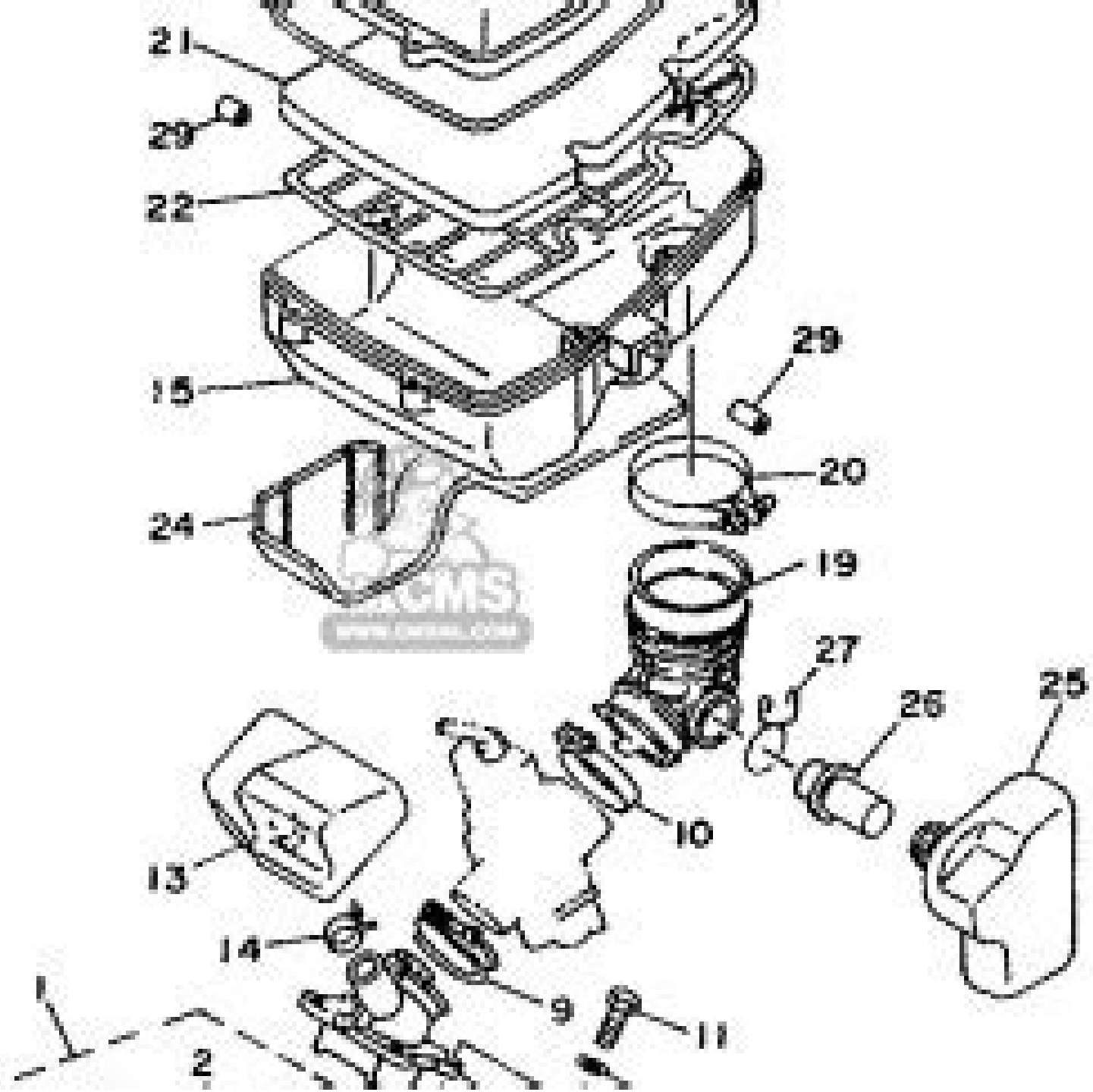


INTAKE



Tdr125 Service Manual 1995

**Intertec Publishing Corporation.
Technical Publications Division**



Tdr125 Service Manual 1995:

Yamaha TZR125 and DT125R Service and Repair Manual Mark Coombs, Phil Mather, 2003-03-01 *Yamaha RD and DT 125 LC Owners Workshop Manual* Jeremy Churchill, Pete Shoemark, 1985 **Yamaha TDM850 & TRX850 '91 to '99 and XTZ750 Super Tenere '89 to '95** Editors of Haynes Manuals, 2015-09-28 Complete coverage for your Yamaha TDM850 TRX850 and XTZ750 covering TDM850 1991 1999 TRX850 1996 1999 and XTZ750 Super Tenere 1989 to 1995 Routine Maintenance and servicing Tune up procedures Engine clutch and transmission repair Cooling system Fuel and exhaust Ignition and electrical systems Brakes wheels and tires Steering suspension and final drive Frame and bodywork Wiring diagrams Reference Section With a Haynes manual you can do it yourself from simple maintenance to basic repairs Haynes writes every book based on a complete teardown of the motorcycle We learn the best ways to do a job and that makes it quicker easier and cheaper for you Our books have clear instructions and hundreds of photographs that show each step Whether you re a beginner or a pro you can save big with Haynes Step by step procedures Easy to follow photos Complete troubleshooting section Valuable short cuts Model history and pre ride checks in color Color spark plug diagnosis and wiring diagrams Tools workshop tips section in color **Yamaha TZR125 '87 to '93 and DT125R '88 to '07** Haynes, 2008-01-01 TZR125 124cc 87 93 DT125R 124cc 88 07 DT125X 124cc 05 07 This manual does not cover the TZR125R introduced in 1993 **1995/1996 Softail Service Manual** ,2001 *Motorcycle Service Manual* ,1972 *Yamaha TZR125 & DT125R Owners Workshop Manual* Mark Coombs, 1990-01-01 *Yamaha DT 50 & 80 Trail Bikes Owners Workshop Manual* Chris Rogers, 1983-01-01 **Motorcycle Service Manual** Intertec Publishing Corporation. Technical Publications Division, 1972 **Honda Service Manual** Honda Giken Kōgyō Kabushiki Kaisha, 1995 **Yamaha TDM850 & TRX850 '91 to '99 and XTZ750 Super Tenere '89 to '95** Editors of Haynes Manuals, 2015-09-28 Complete coverage for your Yamaha TDM850 TRX850 and XTZ750 covering TDM850 1991 1999 TRX850 1996 1999 and XTZ750 Super Tenere 1989 to 1995 Routine Maintenance and servicing Tune up procedures Engine clutch and transmission repair Cooling system Fuel and exhaust Ignition and electrical systems Brakes wheels and tires Steering suspension and final drive Frame and bodywork Wiring diagrams Reference Section With a Haynes manual you can do it yourself from simple maintenance to basic repairs Haynes writes every book based on a complete teardown of the motorcycle We learn the best ways to do a job and that makes it quicker easier and cheaper for you Our books have clear instructions and hundreds of photographs that show each step Whether you re a beginner or a pro you can save big with Haynes Step by step procedures Easy to follow photos Complete troubleshooting section Valuable short cuts Model history and pre ride checks in color Color spark plug diagnosis and wiring diagrams Tools workshop tips section in color *Motorcycle Service Manual* ,1975 *Clymer Vintage British Street Bikes: BSA, Norton, Triumph Repair Manual* Penton Staff, 1993-04-01 With the help of the Clymer Vintage British Street Bikes BSA Norton Triumph Repair Manual in your toolbox you will be able to maintain service and repair your motorcycle to extend its

life for years to come Clymer manuals are very well known for their thorough and comprehensive nature This manual is loaded with step by step procedures along with detailed photography exploded views charts and diagrams to enhance the steps associated with a service or repair task This Clymer manual is organized by subsystem with procedures grouped together for specific topics such as front suspension brake system engine and transmission It includes color wiring diagrams The language used in this Clymer repair manual is targeted toward the novice mechanic but is also very valuable for the experienced mechanic The service manual by Clymer is an authoritative piece of DIY literature and should provide you the confidence you need to get the job done and save money too The specific models covered by this manual are BSA 500cc Unit Twins 1963 1972 BSA 650cc Unit Twins 1963 1972 Norton 750cc Commando 1969 1975 Norton 850cc Commando 1969 1975 Triumph 500cc Twins 1963 1979 Triumph 750cc Twins 1963 1979 *Motorcycle Service Manual. - 2: 2-stroke Multi-cylinder Models* ,1975 *Yamaha RD 125 Twins Owners Workshop Manual* Pete Shoemark,1977-01-01 Models covered All 124 cc RD 125 models **1995-1996 XLH Sportster Models Service Manual** Harley-Davidson Motor Company,1995 **Yamaha TZR125 and DT125 R Owners Workshop Manual** Mark Coombs,1995 *Yamaha Motorcycle RD125(A) (DX)/RD200(A): Supplementary Service Manual* Yamaha Motor Co,1975* Motorcycle Service Manual Howard W. Sams & Co,1972 **Motorcycle Service Manual** ,1968

If you ally dependence such a referred **Tdr125 Service Manual 1995** books that will pay for you worth, acquire the unconditionally best seller from us currently from several preferred authors. If you want to witty books, lots of novels, tale, jokes, and more fictions collections are afterward launched, from best seller to one of the most current released.

You may not be perplexed to enjoy every book collections Tdr125 Service Manual 1995 that we will entirely offer. It is not on the subject of the costs. Its nearly what you need currently. This Tdr125 Service Manual 1995, as one of the most keen sellers here will utterly be among the best options to review.

<https://letsgetcooking.org.uk/data/scholarship/index.jsp/psc%20panjeree%20test%20paper.pdf>

Table of Contents Tdr125 Service Manual 1995

1. Understanding the eBook Tdr125 Service Manual 1995
 - The Rise of Digital Reading Tdr125 Service Manual 1995
 - Advantages of eBooks Over Traditional Books
2. Identifying Tdr125 Service Manual 1995
 - Exploring Different Genres
 - Considering Fiction vs. Non-Fiction
 - Determining Your Reading Goals
3. Choosing the Right eBook Platform
 - Popular eBook Platforms
 - Features to Look for in an Tdr125 Service Manual 1995
 - User-Friendly Interface
4. Exploring eBook Recommendations from Tdr125 Service Manual 1995
 - Personalized Recommendations
 - Tdr125 Service Manual 1995 User Reviews and Ratings
 - Tdr125 Service Manual 1995 and Bestseller Lists
5. Accessing Tdr125 Service Manual 1995 Free and Paid eBooks

- Tdr125 Service Manual 1995 Public Domain eBooks
 - Tdr125 Service Manual 1995 eBook Subscription Services
 - Tdr125 Service Manual 1995 Budget-Friendly Options
6. Navigating Tdr125 Service Manual 1995 eBook Formats
- ePub, PDF, MOBI, and More
 - Tdr125 Service Manual 1995 Compatibility with Devices
 - Tdr125 Service Manual 1995 Enhanced eBook Features
7. Enhancing Your Reading Experience
- Adjustable Fonts and Text Sizes of Tdr125 Service Manual 1995
 - Highlighting and Note-Taking Tdr125 Service Manual 1995
 - Interactive Elements Tdr125 Service Manual 1995
8. Staying Engaged with Tdr125 Service Manual 1995
- Joining Online Reading Communities
 - Participating in Virtual Book Clubs
 - Following Authors and Publishers Tdr125 Service Manual 1995
9. Balancing eBooks and Physical Books Tdr125 Service Manual 1995
- Benefits of a Digital Library
 - Creating a Diverse Reading Collection Tdr125 Service Manual 1995
10. Overcoming Reading Challenges
- Dealing with Digital Eye Strain
 - Minimizing Distractions
 - Managing Screen Time
11. Cultivating a Reading Routine Tdr125 Service Manual 1995
- Setting Reading Goals Tdr125 Service Manual 1995
 - Carving Out Dedicated Reading Time
12. Sourcing Reliable Information of Tdr125 Service Manual 1995
- Fact-Checking eBook Content of Tdr125 Service Manual 1995
 - Distinguishing Credible Sources
13. Promoting Lifelong Learning
- Utilizing eBooks for Skill Development

- Exploring Educational eBooks
14. Embracing eBook Trends
- Integration of Multimedia Elements
 - Interactive and Gamified eBooks

Tdr125 Service Manual 1995 Introduction

In the digital age, access to information has become easier than ever before. The ability to download Tdr125 Service Manual 1995 has revolutionized the way we consume written content. Whether you are a student looking for course material, an avid reader searching for your next favorite book, or a professional seeking research papers, the option to download Tdr125 Service Manual 1995 has opened up a world of possibilities. Downloading Tdr125 Service Manual 1995 provides numerous advantages over physical copies of books and documents. Firstly, it is incredibly convenient. Gone are the days of carrying around heavy textbooks or bulky folders filled with papers. With the click of a button, you can gain immediate access to valuable resources on any device. This convenience allows for efficient studying, researching, and reading on the go. Moreover, the cost-effective nature of downloading Tdr125 Service Manual 1995 has democratized knowledge. Traditional books and academic journals can be expensive, making it difficult for individuals with limited financial resources to access information. By offering free PDF downloads, publishers and authors are enabling a wider audience to benefit from their work. This inclusivity promotes equal opportunities for learning and personal growth. There are numerous websites and platforms where individuals can download Tdr125 Service Manual 1995. These websites range from academic databases offering research papers and journals to online libraries with an expansive collection of books from various genres. Many authors and publishers also upload their work to specific websites, granting readers access to their content without any charge. These platforms not only provide access to existing literature but also serve as an excellent platform for undiscovered authors to share their work with the world. However, it is essential to be cautious while downloading Tdr125 Service Manual 1995. Some websites may offer pirated or illegally obtained copies of copyrighted material. Engaging in such activities not only violates copyright laws but also undermines the efforts of authors, publishers, and researchers. To ensure ethical downloading, it is advisable to utilize reputable websites that prioritize the legal distribution of content. When downloading Tdr125 Service Manual 1995, users should also consider the potential security risks associated with online platforms. Malicious actors may exploit vulnerabilities in unprotected websites to distribute malware or steal personal information. To protect themselves, individuals should ensure their devices have reliable antivirus software installed and validate the legitimacy of the websites they are downloading from. In conclusion, the ability to download Tdr125 Service Manual 1995 has transformed the way we access information. With the convenience, cost-effectiveness, and accessibility it

offers, free PDF downloads have become a popular choice for students, researchers, and book lovers worldwide. However, it is crucial to engage in ethical downloading practices and prioritize personal security when utilizing online platforms. By doing so, individuals can make the most of the vast array of free PDF resources available and embark on a journey of continuous learning and intellectual growth.

FAQs About Tdr125 Service Manual 1995 Books

What is a Tdr125 Service Manual 1995 PDF? A PDF (Portable Document Format) is a file format developed by Adobe that preserves the layout and formatting of a document, regardless of the software, hardware, or operating system used to view or print it. **How do I create a Tdr125 Service Manual 1995 PDF?** There are several ways to create a PDF: Use software like Adobe Acrobat, Microsoft Word, or Google Docs, which often have built-in PDF creation tools. Print to PDF: Many applications and operating systems have a "Print to PDF" option that allows you to save a document as a PDF file instead of printing it on paper. Online converters: There are various online tools that can convert different file types to PDF. **How do I edit a Tdr125 Service Manual 1995 PDF?** Editing a PDF can be done with software like Adobe Acrobat, which allows direct editing of text, images, and other elements within the PDF. Some free tools, like PDFescape or Smallpdf, also offer basic editing capabilities. **How do I convert a Tdr125 Service Manual 1995 PDF to another file format?** There are multiple ways to convert a PDF to another format: Use online converters like Smallpdf, Zamzar, or Adobe Acrobats export feature to convert PDFs to formats like Word, Excel, JPEG, etc. Software like Adobe Acrobat, Microsoft Word, or other PDF editors may have options to export or save PDFs in different formats. **How do I password-protect a Tdr125 Service Manual 1995 PDF?** Most PDF editing software allows you to add password protection. In Adobe Acrobat, for instance, you can go to "File" -> "Properties" -> "Security" to set a password to restrict access or editing capabilities. Are there any free alternatives to Adobe Acrobat for working with PDFs? Yes, there are many free alternatives for working with PDFs, such as: LibreOffice: Offers PDF editing features. PDFsam: Allows splitting, merging, and editing PDFs. Foxit Reader: Provides basic PDF viewing and editing capabilities. How do I compress a PDF file? You can use online tools like Smallpdf, ILovePDF, or desktop software like Adobe Acrobat to compress PDF files without significant quality loss. Compression reduces the file size, making it easier to share and download. Can I fill out forms in a PDF file? Yes, most PDF viewers/editors like Adobe Acrobat, Preview (on Mac), or various online tools allow you to fill out forms in PDF files by selecting text fields and entering information. Are there any restrictions when working with PDFs? Some PDFs might have restrictions set by their creator, such as password protection, editing restrictions, or print restrictions. Breaking these restrictions might require specific software or tools, which may or may not be legal depending on the circumstances and local laws.

Find Tdr125 Service Manual 1995 :

psc panjeree test paper

[pssa writing administration manual grade 8 2013](#)

psb kabupaten tuban 2015

[psbank auto loan down payment](#)

[prove it test for medical terminology](#)

pssc physics manual

proximus bluetooth fm transmitter manual

[pview monitor repair manual](#)

ps3 wireless stereo headset user guide

prostar 2009 owners manual

prove it excel test 2007 test answers

prospectors of wit

psyche louis couperus

[psychological testing in the workplace paper](#)

ps tv np 2245 3

Tdr125 Service Manual 1995 :

[2 circulation and gas exchange campbell biology study set 2](#) - Nov 25 2022

web campbell biology study set 2 verified biology questions and answers for set 42 circulation and gas exchange

[2 gas exchange and circulation biological science study set 3](#) - Feb 14 2022

web biological science study set 3 verified biology questions and answers for set 42 gas exchange and circulation

[biology chapter 42 chapter 42 circulation and gas exchange](#) - Apr 30 2023

web biology chapter 35 preview text chapter 42 circulation and gas exchange circulatory systems link exchange surfaces with cells throughout the body o in animals with simple body plans a gastrovascular cavity mediates exchange between the environment and cells that can be reached by diffusion

ch 42 circulation gas exchange ap bio flashcards - Dec 27 2022

web 1 19 flashcards learn test match created by themikeyd images from the campbell biology book s chapter 42 the circulatory respiratory systems to study from have fun terms in this set 19 open vs closed circulatory systems vertebrate

circulation system mammal cardiovascular system mammalian heart cardiac cycle blood vessel

2 gas exchange and circulation biological science study set 2 - Jul 22 2022

web answer unlock to view answer question 3 multiple choice free at the summit of a high mountain the atmospheric pressure is 380 mm hg if the atmosphere is still composed of

biology chapter 42 circulation and gas exchange flashcards - Feb 26 2023

web gastrovascular cavity digestion open circulatory system common or closed rare requirements for the circulatory system fluid blood pump heart tubes vessels

chapter 42 circulation and gas exchange coursenotes - Oct 25 2022

web chapter 42 circulation and gas exchange printer friendly please click the link below to download the biology slides from the campbell s biology 7th edition textbook attachment size attachment

chapter 42 circulation and gas exchange video solutions - Jul 02 2023

web problem 1 which of the following respiratory systems is independent from a fluid based circulatory system a the lungs of a vertebrate b the gills of a fish c the tracheal system of an insect d the skin of an earthworm christy m

figure 42 8 campbell et al people wou edu - Aug 23 2022

web 1 chapter 42 circulation gas exchange transport systems connect organs of exchange with body cells diffusion lung blood bulk flow pressure blood cells 100 m 1 s 1 mm 100 s 1 cm 10000 s d t2 chapter 42 circulation gas exchange methods of fluid circulation 1 gastrovascular cavities e g cnidarians flatworms

chapter 42 circulation and gas exchange studysmarter us - Oct 05 2023

web 40 questions for chapter 42 circulation and gas exchange the hemoglobin of a human fetus differs from adult hemoglobin compare the dissociation curves of the two hemoglobins in the graph at right describe how they differ and propose a hypothesis to explain the benefit of this difference found on page 949

ap bio chapter 42 circulation and gas exchange quizlet - Jan 28 2023

web study with quizlet and memorize flashcards containing terms like circulatory system effecient body size and shape circulatory system connects aqueous environment of body cells to organs that exchange gases absorb nutrients dispose wastes and more

chapter 42 circulation and gas exchange studocu - Sep 23 2022

web biology 140 educational technology for teaching and learning d092 success strategies for online learning snhu107 accounting acls 123 personality psychology psy 255 introduction to psychological research and ethics psy 260 chapter 42 circulation and gas exchange lecture outline

ch 42 notes gas exchange and circulation studocu - Apr 18 2022

web bisc 208 chapter 42 gas exchange and circulation introduction oxygen and carbon dioxide must be continuously exchanged with the environment o cells must obtain oxygen and expel carbon dioxide continuously to support atp production by mitochondria these gases along with wastes nutrients and other types of molecules must be

campbell biology chapter 42 circulation and gas exchange - May 20 2022

web using diffusion and partial pressure gas exchange the process of moving oxygen from the air into the blood across a respiratory membrane is necessary for normal function explore the way gas

biology chapter 42 circulation and gas exchange - Mar 18 2022

web jul 8 2022 biology chapter 42 circulation and gas exchange flashcards get access to high quality and unique 50 000 college essay examples and more than 100 000 flashcards and test answers from around the world

chapter 42 circulation and gas exchange biology junction - Jun 01 2023

web chapter 42 circulation and gas exchange concept 42 1 circulatory systems link exchange surfaces with cells throughout the body 1 gaining o₂ and nutrients while shedding co₂ and other waste products occurs with every cell in the body however diffusion is rapid only over small distances describe the two general solutions to this

chapter 42 circulation and gas exchange coursenotes - Sep 04 2023

web chapter 42 circulation and gas exchange lecture outline overview trading with the environment every organism must exchange materials and energy with its environment and this exchange ultimately occurs at the cellular level cells live in aqueous environments

chapter 42 circulation and gas exchange video solutions - Aug 03 2023

web video answers for all textbook questions of chapter 42 circulation and gas exchange campbell biology by numerade
ap bio chapter 42 circulation and gas exchange cram com - Jun 20 2022

web study flashcards on ap bio chapter 42 circulation and gas exchange at cram com quickly memorize the terms phrases and much more cram com makes it easy to get the grade you want

chapter 42 guided reading answers flashcards quizlet - Mar 30 2023

web chapter 42 guided reading answers 4 0 1 review the movement of materials from the bloodstream into the cells involves all aspects of active and passive transport a key concept gas exchange also involves transport and several other key ideas including the effect of changes in ph on the protein hemoglobin and its effect on oxygen delivery

national geographic kids chapters living with wolves true - Apr 11 2023

web dec 13 2016 national geographic kids chapters living with wolves true stories of adventures with animals ngk chapters paperback december 13 2016 by jim dutcher author

[national geographic kids chapters living with wolves true](#) - Feb 09 2023

web dec 13 2016 national geographic kids chapters living with wolves true stories of adventures with animals ngk chapters chapter book kindle edition by dutcher jamie dutcher jim download it once and read it

[wolves national geographic kids rif org reading is](#) - Dec 27 2021

web jan 1 2012 wolves national geographic kids written by laura marsh and illustrated by national geographic kids they run in packs stalk their prey and howl at the moon and no matter where you are they re always lurking somewhere nearby wolves the predatory puppy dogs of the wild are feared and loved by people everywhere but are

living with wolves national geographic kids chapters - Jan 08 2023

web imagine living with a pack of wolves for national geographic wildlife documentarians jim and jamie dutcher that dream came true join the dutchers as they discover what life is like among wolves in the western wilderness filled with engaging photos fast facts and fascinating sidebars readers will be howling for more

national geographic kids chapters living with wolves open - Aug 03 2022

web national geographic kids chapters living with wolves by jim dutcher jamie dutcher 2016 national geographic society edition in english

national geographic kids chapters living with wolves apple - Mar 10 2023

web sep 6 2017 imagine living with a pack of wolves for national geographic wildlife documentarians jim and jamie dutcher that dream came true join the dutchers as they discover what life is like among wolves in the w

[national geographic living with wolves](#) - Oct 05 2022

web living with wolves longstanding relationship with national geographic enables our unique programming outreach publications and educational materials to reach a wide and diverse audience jim and jamie dutcher s multimedia presentations through the national geographic live

national geographic kids chapters living with wolves - Jul 02 2022

web from national geographic comes a new chapter book series featuring amazing true stories about animals and the people who love them shop the 2023 back to school guide the teacher store

national geographic kids chapters living with wolves true - May 12 2023

web national geographic kids chapters living with wolves true stories of adventures with animals ngk chapters national geographic kids chapters dutcher jim dutcher jamie national geographic kids amazon com tr

wild kids a section all about wolves just for kids - Jan 28 2022

web shop home 1 wolf info 2 wild kids there s so much to know about wolves where they live how they communicate what they eat whether you study wolves pretend to be a wolf or watch wolf movies there are many different ways to learn about them let s learn more about wolves together

national geographic kids chapters living with wolves - Jul 14 2023

web about national geographic kids chapters living with wolves imagine living with a pack of wolves for national geographic wildlife documentarians jim and jamie dutcher that dream came true join the dutchers as they discover what life is like among wolves in the western wilderness

[national geographic kids chapters living with wolves by jim](#) - Jun 13 2023

web read national geographic kids chapters living with wolves by jim and jamie dutcher with a free trial read millions of ebooks and audiobooks on the web ipad iphone and android imagine living with a pack of wolves

[gray wolf family activity guide national geographic society](#) - Apr 30 2022

web gray wolf family guide overview for centuries wolves have haunted the human imagination it once was accepted as truth that they were savage predators and creatures of nightmares determined to overcome such misconceptions jim and jamie dutcher lived in a tented camp on the edge of idaho s wilderness living with and filming a pack of wolves

[national geographic kids chapters living with wol 2023 wp](#) - Feb 26 2022

web this extraordinary book aptly titled national geographic kids chapters living with wol compiled by a highly acclaimed author immerses readers in a captivating exploration of the significance of language and its profound impact on our existence

living with wolves national geographic kids youtube - Sep 04 2022

web discover the hidden behavior of wolves from filmmakers jim and jamie dutcher who studied and lived with the sawtooth wolf pack in idaho for almost a decade

national geographic kids chapters living with wolves true - Dec 07 2022

web buy national geographic kids chapters living with wolves true stories of adventures with animals ngk chapters by dutcher jim dutcher jamie national geographic kids online on amazon ae at best prices fast and free shipping free returns cash on delivery available on eligible purchase

[national geographic kids chapters living with wolves epic](#) - Aug 15 2023

web author jim dutcher jamie dutcher start reading imagine living with a pack of wolves for national geographic wildlife documentarians jim and jamie dutcher that dream came true join the dutchers as they discover what life

living with wolves by jamie dutcher overdrive - Nov 06 2022

web dec 13 2016 for national geographic wildlife documentarians jim and jamie dutcher that dream came true join the dutchers as they discover what life is like among wolves in the western wilderness filled with engaging photos fast facts and fascinating sidebars readers will be howling for more

read free national geographic kids chapters living with wol - Mar 30 2022

web national geographic kids chapters living with wol horse escape artist aug 03 2020 collects three stories about animals causing chaos including mariska the horse escape artist milkshake the charging cow and pony the runaway goat together forever oct 29 2022 true stories of animals and the people who love them wolves may 31 2020

sell buy or rent national geographic kids chapters living with wol - Jun 01 2022

web sell national geographic kids chapters living with wolves true stories of adventur 1426325630 at booksrun ship for free and get fast cash back

railing inserts etsy - Mar 03 2023

web metal panel inserts decorative steel panel inserts metal privacy screen wildlife metal panels interior exterior railing inserts 3 9k 244 80 288 00 15 off free shipping loons in lake scene railing insert dxf files cut ready for cnc machines laser cutting and plasma cutting 114 4 75 19 00 75 off

decorative deck railing metal deck railing porch railing - Apr 04 2023

web your choice of metal railing we have both steel deck railing or aluminum deck railing inserts great for porch rails also carefully consider the cost of maintaining your deck after the initial build it costs an extra 1 00 2 00 per square foot

nuvo iron gate inserts xtreme edeals authorized youtube - Mar 23 2022

web jul 21 2016 xtremeedeals com product category deck fencing accessories gate inserts black cast aluminum insertsnuvo iron ornamental inserts accents add elegance

decorative deck railing etsy - Oct 10 2023

web metal panel inserts decorative steel panel inserts metal privacy screen wildlife metal panels interior exterior railing inserts

deck metal decorative panels laser cut arts canada usa - Jul 27 2022

web choose design our lasercut metal panels could be of different shapes and sizes up to 5 ft x 10 ft to meet your project as example same panel pattern could be used for privacy screen railing deck insert wall art gate and etc

decorative railing inserts etsy - May 05 2023

web decorative railing inserts etsy decorative railing inserts 1 60 of 607 results price shipping all sellers tree railing insert metal panel metal privacy screen fence decorative panel wall art garden panel indoor outdoor lcfg 139 187 00 220 00 15 off free shipping

amazon com decorative railing panel - Jul 07 2023

web s21 wrought iron balusters set of 10 hollow wavy plain bar balusters decorative metal balusters for decks spiral stair railing 1 2 inch iron spindles satin black metal railing nuvo iron decorative insert for fencing gates home garden oval 17 4 8 out of 5 stars 859

dekk istanbul dekkistanbul instagram photos and videos - Apr 23 2022

web 63k followers 35 following 681 posts see instagram photos and videos from dekk istanbul dekkistanbul

deck railing inserts nature rails naturerails com - Jun 25 2022

web minimum order size at naturerails is 24 x 24 these railing inserts are structural components in addition to being a decorative item minimum 10 gauge steel thickness aluminum minimum 3 16 due to market fluctuation aluminum must be quoted on a case by case basis replication of your design can be added to your own spindle railing system

ornamental railing inserts and deck railing accessories - Jun 06 2023

web plasma cut decorative inserts will accessorize any deck rails inserts can be incorporated into your rails gate or fence square inserts can be added to wood or composite rails by framing it all inserts are building code compliant

decorative metal deck railing panels decortalk net - Jan 21 2022

web jan 19 2022 decorative rustic railings cattail panel metal panel insert staircase railings balcony panel fabriplasmetalworks 5 out of 5 stars sale price 265 08 265 08 331 35 original price 331 35 free shipping add to favorites railing insert collection ri44

estetik decor istanbul - Feb 19 2022

web velvets and furs radiate with the warm glow of generous gilding and invite you to linger shaped into decadent arm chairs and welcoming poufs laminated leather lampshades reveal softly filtered light through their baroquely incised exteriors accent pieces crafted of natural horn and burnished metal command attention with dramatic

20 deck accessories decorations for your dream outdoor space - Sep 28 2022

web no matter your goals for your deck porch patio or other outdoor areas having the right accessories and decorations take it to the next level if you don't have your dream outdoor living space or want to upgrade your existing deck contact the team at keystone custom decks we provide custom decks and outdoor living spaces in pa ny md

metal railing panel inserts laser cut arts canada usa - Dec 20 2021

web railing deck inserts interior metal railing panels our railing panels add an artistic accent to the décor of any indoor space by adding one of our stunning laser cut metal trailing panels your staircase can become a focal piece

metal deck railing panels etsy - Jan 01 2023

web decorative rustic railings wildlife scenery with two doe s and a buck metal panel insert staircase railings balcony panel 132 211 65 249 00 15 off free shipping metal railing panel balcony deck panel fence custom order outdoor or indoor 26 443 69 00 free shipping

north american animal railing panel inserts naturerails com - Aug 28 2022

web landmarks landscape mountain custom mural sign window north american land animals railing people music radius

railing design restaurant and bar railing and screens retail commercial hotel boat water railing design stair guard railing north american animals is only the start to our designs

8 best deck furniture ideas for outdoor living the family handyman - May 25 2022

web jul 8 2020 concrete side table if you re looking for deck furniture ideas to help turn your deck into the ultimate outdoor entertaining space this concrete side table will fit the bill it s made of glass fiber reinforced concrete which is lighter than traditional concrete but equally durable the top is 21 inches in diameter and the overall look

balcony railing deck rail decorative inserts 30 96 - Feb 02 2023

web designer railing eight foot panel series designs on this page are ready to fabricate and ship 30 96 x 10 gauge in 3 to 4 weeks these are some of our most popular balcony railing and deck railing inserts to add interest to your decor more importantly durable powder coated steel railing used outside lasts longer than paint but we

shop decorative wildlife railing panel inserts 30 72 inch - Nov 30 2022

web 888 743 2325 subscribe subscribe to newsletter home shop shop designer 6 foot railing shop designer 8 foot railing custom design request products custom designer railings custom railing decorative balusters decorative deck railing commercial metal railing privacy screens custom gates custom fireplace screens

metal deck insert etsy - Oct 30 2022

web decorative wall panels metal railing panel balcony insert deck panel staircase design privacy screen fence outdoor or indoor 54 146 36 209 08 30 off free shipping home decor deck screens privacy screens outdoor patio screens fence inserts metal screens 59 274 70

decorative fence insert etsy - Nov 18 2021

web decorative fence insert 1 60 of 609 results price shipping all sellers tree railing insert metal panel metal privacy screen fence decorative panel wall art garden panel indoor outdoor lcfg 139 187 00 220 00 15 off free shipping round decorative gate fence insert acw 55 387 56 99 free shipping

custom metal railing for your deck balcony loft or stairs - Aug 08 2023

web rob s decorative panel inserts are a quick installation to customize your deck or loft balcony railing select from nature or modern design styles to add curb appeal to your project available without art changes in two sizes six foot railing designs or eight foot railing designs

decorative deck panel etsy - Sep 09 2023

web decorative deck panel 1 60 of 341 results price shipping all sellers decorative rustic railings hunting and wildlife scenery metal panel insert staircase railings balcony panels metal insert 139 415 65 489 00 15 off free shipping metal railing panel balcony deck panel fence custom order outdoor or indoor 26 462

