

Westinghouse *Premium*

Premier High Efficiency Boilers

Installation

Start-Up

Maintenance

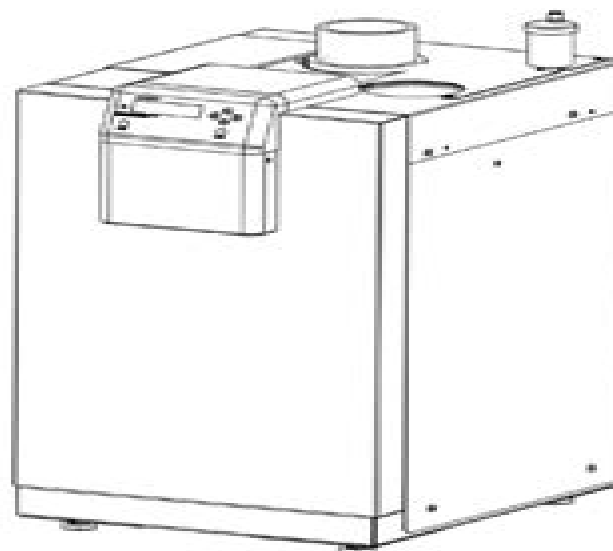
Parts

Warranty

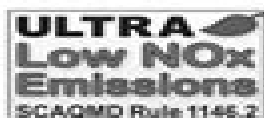
WBRE80 / 110 / 150 / 220 / 299 / 301 / 399
Models**

** "NG" Denotes Natural Gas Operation

"LP" Denotes Propane Gas Operation



Heat Exchanger Bears the ASME "H" Stamp



DANGER

This manual must only be used by a qualified installer / service technician. Read all instructions in this manual before installing. Perform steps in the given order. Failure to do so could result in substantial property damage, severe personal injury, or death.

WARNING

Improper installation, adjustment, alteration, service, or maintenance could void product warranty and cause property damage, severe personal injury, or death.

California Proposition 65 Warning: This product contains chemicals known to the State of California to cause cancer, birth defects, or other reproductive harm.

NOTICE

Westinghouse reserves the right to make product changes or updates without notice and will not be held liable for typographical errors in literature.

NOTE TO CONSUMER: PLEASE KEEP ALL INSTRUCTIONS FOR FUTURE REFERENCE.

Westinghouse Furnace Service Manual

AW Rasmussen



Westinghouse Furnace Service Manual:

Decoding **Westinghouse Furnace Service Manual**: Revealing the Captivating Potential of Verbal Expression

In an era characterized by interconnectedness and an insatiable thirst for knowledge, the captivating potential of verbal expression has emerged as a formidable force. Its capability to evoke sentiments, stimulate introspection, and incite profound transformations is genuinely awe-inspiring. Within the pages of "**Westinghouse Furnace Service Manual**," a mesmerizing literary creation penned by a celebrated wordsmith, readers set about an enlightening odyssey, unraveling the intricate significance of language and its enduring impact on our lives. In this appraisal, we shall explore the book's central themes, evaluate its distinctive writing style, and gauge its pervasive influence on the hearts and minds of its readership.

<https://letsgetcooking.org.uk/results/detail/Documents/origine%20du%20nom%20de%20famille%20haond%20oeuvres%20courtes.pdf>

Table of Contents Westinghouse Furnace Service Manual

1. Understanding the eBook Westinghouse Furnace Service Manual
 - The Rise of Digital Reading Westinghouse Furnace Service Manual
 - Advantages of eBooks Over Traditional Books
2. Identifying Westinghouse Furnace Service Manual
 - Exploring Different Genres
 - Considering Fiction vs. Non-Fiction
 - Determining Your Reading Goals
3. Choosing the Right eBook Platform
 - Popular eBook Platforms
 - Features to Look for in a Westinghouse Furnace Service Manual
 - User-Friendly Interface
4. Exploring eBook Recommendations from Westinghouse Furnace Service Manual
 - Personalized Recommendations
 - Westinghouse Furnace Service Manual User Reviews and Ratings

- Westinghouse Furnace Service Manual and Bestseller Lists
- 5. Accessing Westinghouse Furnace Service Manual Free and Paid eBooks
 - Westinghouse Furnace Service Manual Public Domain eBooks
 - Westinghouse Furnace Service Manual eBook Subscription Services
 - Westinghouse Furnace Service Manual Budget-Friendly Options
- 6. Navigating Westinghouse Furnace Service Manual eBook Formats
 - ePub, PDF, MOBI, and More
 - Westinghouse Furnace Service Manual Compatibility with Devices
 - Westinghouse Furnace Service Manual Enhanced eBook Features
- 7. Enhancing Your Reading Experience
 - Adjustable Fonts and Text Sizes of Westinghouse Furnace Service Manual
 - Highlighting and Note-Taking Westinghouse Furnace Service Manual
 - Interactive Elements Westinghouse Furnace Service Manual
- 8. Staying Engaged with Westinghouse Furnace Service Manual
 - Joining Online Reading Communities
 - Participating in Virtual Book Clubs
 - Following Authors and Publishers Westinghouse Furnace Service Manual
- 9. Balancing eBooks and Physical Books Westinghouse Furnace Service Manual
 - Benefits of a Digital Library
 - Creating a Diverse Reading Collection Westinghouse Furnace Service Manual
- 10. Overcoming Reading Challenges
 - Dealing with Digital Eye Strain
 - Minimizing Distractions
 - Managing Screen Time
- 11. Cultivating a Reading Routine Westinghouse Furnace Service Manual
 - Setting Reading Goals Westinghouse Furnace Service Manual
 - Carving Out Dedicated Reading Time
- 12. Sourcing Reliable Information of Westinghouse Furnace Service Manual
 - Fact-Checking eBook Content of Westinghouse Furnace Service Manual
 - Distinguishing Credible Sources

13. Promoting Lifelong Learning
 - Utilizing eBooks for Skill Development
 - Exploring Educational eBooks
14. Embracing eBook Trends
 - Integration of Multimedia Elements
 - Interactive and Gamified eBooks

Westinghouse Furnace Service Manual Introduction

In today's digital age, the availability of Westinghouse Furnace Service Manual books and manuals for download has revolutionized the way we access information. Gone are the days of physically flipping through pages and carrying heavy textbooks or manuals. With just a few clicks, we can now access a wealth of knowledge from the comfort of our own homes or on the go. This article will explore the advantages of Westinghouse Furnace Service Manual books and manuals for download, along with some popular platforms that offer these resources. One of the significant advantages of Westinghouse Furnace Service Manual books and manuals for download is the cost-saving aspect. Traditional books and manuals can be costly, especially if you need to purchase several of them for educational or professional purposes. By accessing Westinghouse Furnace Service Manual versions, you eliminate the need to spend money on physical copies. This not only saves you money but also reduces the environmental impact associated with book production and transportation. Furthermore, Westinghouse Furnace Service Manual books and manuals for download are incredibly convenient. With just a computer or smartphone and an internet connection, you can access a vast library of resources on any subject imaginable. Whether you're a student looking for textbooks, a professional seeking industry-specific manuals, or someone interested in self-improvement, these digital resources provide an efficient and accessible means of acquiring knowledge. Moreover, PDF books and manuals offer a range of benefits compared to other digital formats. PDF files are designed to retain their formatting regardless of the device used to open them. This ensures that the content appears exactly as intended by the author, with no loss of formatting or missing graphics. Additionally, PDF files can be easily annotated, bookmarked, and searched for specific terms, making them highly practical for studying or referencing. When it comes to accessing Westinghouse Furnace Service Manual books and manuals, several platforms offer an extensive collection of resources. One such platform is Project Gutenberg, a nonprofit organization that provides over 60,000 free eBooks. These books are primarily in the public domain, meaning they can be freely distributed and downloaded. Project Gutenberg offers a wide range of classic literature, making it an excellent resource for literature enthusiasts. Another popular platform for Westinghouse Furnace Service Manual books and manuals is Open Library. Open Library is an initiative of the Internet

Archive, a non-profit organization dedicated to digitizing cultural artifacts and making them accessible to the public. Open Library hosts millions of books, including both public domain works and contemporary titles. It also allows users to borrow digital copies of certain books for a limited period, similar to a library lending system. Additionally, many universities and educational institutions have their own digital libraries that provide free access to PDF books and manuals. These libraries often offer academic texts, research papers, and technical manuals, making them invaluable resources for students and researchers. Some notable examples include MIT OpenCourseWare, which offers free access to course materials from the Massachusetts Institute of Technology, and the Digital Public Library of America, which provides a vast collection of digitized books and historical documents. In conclusion, Westinghouse Furnace Service Manual books and manuals for download have transformed the way we access information. They provide a cost-effective and convenient means of acquiring knowledge, offering the ability to access a vast library of resources at our fingertips. With platforms like Project Gutenberg, Open Library, and various digital libraries offered by educational institutions, we have access to an ever-expanding collection of books and manuals. Whether for educational, professional, or personal purposes, these digital resources serve as valuable tools for continuous learning and self-improvement. So why not take advantage of the vast world of Westinghouse Furnace Service Manual books and manuals for download and embark on your journey of knowledge?

FAQs About Westinghouse Furnace Service Manual Books

How do I know which eBook platform is the best for me? Finding the best eBook platform depends on your reading preferences and device compatibility. Research different platforms, read user reviews, and explore their features before making a choice. Are free eBooks of good quality? Yes, many reputable platforms offer high-quality free eBooks, including classics and public domain works. However, make sure to verify the source to ensure the eBook credibility. Can I read eBooks without an eReader? Absolutely! Most eBook platforms offer webbased readers or mobile apps that allow you to read eBooks on your computer, tablet, or smartphone. How do I avoid digital eye strain while reading eBooks? To prevent digital eye strain, take regular breaks, adjust the font size and background color, and ensure proper lighting while reading eBooks. What the advantage of interactive eBooks? Interactive eBooks incorporate multimedia elements, quizzes, and activities, enhancing the reader engagement and providing a more immersive learning experience. Westinghouse Furnace Service Manual is one of the best book in our library for free trial. We provide copy of Westinghouse Furnace Service Manual in digital format, so the resources that you find are reliable. There are also many Ebooks of related with Westinghouse Furnace Service Manual. Where to download Westinghouse Furnace Service Manual online for free? Are you looking for Westinghouse Furnace Service Manual PDF? This is definitely going to save you time and cash in something you should think

about. If you trying to find then search around for online. Without a doubt there are numerous these available and many of them have the freedom. However without doubt you receive whatever you purchase. An alternate way to get ideas is always to check another Westinghouse Furnace Service Manual. This method for see exactly what may be included and adopt these ideas to your book. This site will almost certainly help you save time and effort, money and stress. If you are looking for free books then you really should consider finding to assist you try this. Several of Westinghouse Furnace Service Manual are for sale to free while some are payable. If you arent sure if the books you would like to download works with for usage along with your computer, it is possible to download free trials. The free guides make it easy for someone to free access online library for download books to your device. You can get free download on free trial for lots of books categories. Our library is the biggest of these that have literally hundreds of thousands of different products categories represented. You will also see that there are specific sites catered to different product types or categories, brands or niches related with Westinghouse Furnace Service Manual. So depending on what exactly you are searching, you will be able to choose e books to suit your own need. Need to access completely for Campbell Biology Seventh Edition book? Access Ebook without any digging. And by having access to our ebook online or by storing it on your computer, you have convenient answers with Westinghouse Furnace Service Manual To get started finding Westinghouse Furnace Service Manual, you are right to find our website which has a comprehensive collection of books online. Our library is the biggest of these that have literally hundreds of thousands of different products represented. You will also see that there are specific sites catered to different categories or niches related with Westinghouse Furnace Service Manual So depending on what exactly you are searching, you will be able to choose ebook to suit your own need. Thank you for reading Westinghouse Furnace Service Manual. Maybe you have knowledge that, people have search numerous times for their favorite readings like this Westinghouse Furnace Service Manual, but end up in harmful downloads. Rather than reading a good book with a cup of coffee in the afternoon, instead they juggled with some harmful bugs inside their laptop. Westinghouse Furnace Service Manual is available in our book collection an online access to it is set as public so you can download it instantly. Our digital library spans in multiple locations, allowing you to get the most less latency time to download any of our books like this one. Merely said, Westinghouse Furnace Service Manual is universally compatible with any devices to read.

Find Westinghouse Furnace Service Manual :

origine du nom de famille haond oeuvres courtes

origine du nom de famille etcheverria oeuvres courtes

origine du nom de famille deys oeuvres courtes

origine du nom de famille guitteny oeuvres courtes

[origine du nom de famille garandean oeuvres courtes](#)

origine du nom de famille gelas oeuvres courtes

origine du nom de famille gourmelon oeuvres courtes

[origine du nom de famille eacutetievant oeuvres courtes](#)

[origine du nom de famille funel oeuvres courtes](#)

[origine du nom de famille asso oeuvres courtes](#)

[origine du nom de famille bocher oeuvres courtes](#)

~~[origine du nom de famille billes oeuvres courtes](#)~~

[origine du nom de famille cadio oeuvres courtes](#)

[origine du nom de famille girerd oeuvres courtes](#)

[origine du nom de famille celce oeuvres courtes](#)

Westinghouse Furnace Service Manual :

[free political flyer template download in word google docs](#) - Oct 29 2022

web free political flyer template printable download choose a political flyer for a candidate meeting meet and greet

fundraiser campaign candidate rally city school board council or presidential candidate s rally from template net that you can use to attract a

[15 best political flyer and poster psd templates free download](#) - Nov 29 2022

web sep 27 2016 political race flyer 6 more info download political race flyer blurb is adobe photoshop print template

incredible to advance approaches at decision time or different occasions political election campaign flyer templates simple to alter psd document with named and composed layers just free textual styles utilized

how to crush it on your campaign flyers numero blog - Mar 22 2022

web november 19 2021 getting started when you re a candidate looking to make an impression on voters and potential donors campaign flyers are a versatile marketing tool that helps you reach both groups for a simple reason campaign flyers can be tailored to align with many aspects of your campaign fundraising canvassing gotv etc

free political flyer word template download template net - Mar 02 2023

web do you have an upcoming election soon create eye catching political flyers for your campaign browse template net s wide collection of sample political candidate tri fold brochures election posters vote wisely pamphlets and all kinds of campaign posters download a free template now in microsoft word and start customizing a flyer now

political flyer 10 examples format pdf examples - Jul 06 2023

web 10 political flyer examples 1 political flyer template details file format microsoft word adobe photoshop adobe indesign apple mac pages microsoft publisher adobe illustrator google docs download 2 political fundraiser flyer template details file format microsoft word adobe photoshop adobe indesign

30 best political flyer 2023 for politicians frip in - Aug 07 2023

web a political flyer template is perfect for networking and advertisement to give an excellent design for your political flyer we have collected these political flyer templates which you can use for networking publicity postings social media marketing and much more

how make a political flyer 17 templates - Sep 27 2022

web political flyer template get this sample political flyer and make a catchy statement that can be read from afar make sure it adds to or is relevant to who the candidate is by downloading this template you ll have an attractive set of graphics that fit the content or message you intend to share

free printable customizable election poster templates canva - Sep 08 2023

web for professionally printed copies order from canva print you ll receive a stack of election posters with a high quality finish ready for posting and distribution gather support for your candidate with effective election campaign posters you can customize for free on canva

election leaflets 7 best design examples solopress uk - Apr 22 2022

web apr 11 2019 7 election leaflets that made their mark by solopress april 11 2019 election time brings about fierce debates campaigning and a collection of political leaflets that try to grab voters attention creating effective campaign leaflets is all about getting the design right to help catch the eye of the electorate

political flyer templates 23 free premium download - May 24 2022

web ultimate political flyer templates bundle consists of 12 stupendously designed political flyers for you to choose from get hold of these gorgeous looking political flyers and put them to use right away

political flyer images free download on freepik - Feb 18 2022

web images 97 61k collections 4 ads ads ads page 1 of 200 find download free graphic resources for political flyer 97 000 vectors stock photos psd files free for commercial use high quality images

campaign with these elegant free political campaign flyer demplates - Jul 26 2022

web free political campaign flyer templates checkout the below list to suit your need election flyer template microsoft word the flyer is an attractive one with stripes in bright red and blue at the top along with a text on a white star like shape

political campaign flyer images free download on freepik - Aug 27 2022

web find download free graphic resources for political campaign flyer 97 000 vectors stock photos psd files free for

commercial use high quality images you can find download the most popular political campaign flyer vectors on freepik
[100 free templates for political candidate flyer template](#) - May 04 2023

web create free political candidate template flyers posters social media graphics and videos in minutes choose from 100 eye catching templates to wow your audience

free custom printable election flyer templates canva - Oct 09 2023

web find election flyer designs that reflect your party or political organization our gallery also features templates that spread awareness about electoral policies and conduct you can craft flyers that educate voters and encourage them to exercise their voting rights

[free printable campaign poster templates to customize canva](#) - Dec 31 2022

web whether you re fighting for a certain advocacy or running a political campaign a poster can help you sway people to your cause canva s online campaign poster maker makes designing a breeze with its drag and drop feature and built in editing tools

free customizable political poster templates adobe express - Jun 24 2022

web choose from dozens of online political poster template ideas from adobe express to help you easily create your own free political poster all creative skill levels are welcome

[tips for creating a great political campaign brochure online candidate](#) - Apr 03 2023

web include a call to action this is usually a reminder to vote on election day or perhaps a statement about the candidate or the opposition these guidelines apply for both candidate and political party pamphlets election leaflets campaign handouts and flyers what makes a good brochure design

2 6k free campaign poster templates postermywall - Jun 05 2023

web 2 620 free campaign poster templates win your election campaigns with custom flyers videos and social media graphics personalize print and publish online in minutes 4 8 5 859

[free election flyer templates venngage](#) - Feb 01 2023

web creating an election flyer template allows you to efficiently convey essential information about your campaign such as your platform candidate biography and contact information moreover a well designed flyer can inspire confidence in your candidacy and boost your chances of success with customizable templates you can easily tailor your

[elfenkroner die elfenkroner reihe 01 google books](#) - Jun 16 2022

web elfenkroner die elfenkroner reihe 01 die elfenkron 1 elfenkroner die elfenkroner reihe 01 die elfenkron right here we have countless books elfenkroner die

[elfenkroner die elfenkroner reihe 01 die elfenkron](#) - Jul 18 2022

web 2 elfenkronen die elfenkronen reihe 01 die elfenkron 2023 09 05 of good and evil as well as friendship s loyalty kirkus reviews the iron trial is a fun heroic narrative

elfenkronen die elfenkronen reihe 01 die elfenkron pdf - Aug 19 2022

web elfenkronen die elfenkronen reihe 01 die elfenkron 1 elfenkronen die elfenkronen reihe 01 die elfenkron thank you very much for reading elfenkronen die elfenkronen

elfenkronen die elfenkronen reihe 01 von holly black - Oct 21 2022

web elfenkronen die elfenkronen reihe 01 die elfenkron eventually you will agreed discover a extra experience and skill by spending more cash nevertheless when get you say yes

elfenkronen die elfenkronen reihe 01 die elfenkron copy ftp - Dec 11 2021

elfenkronen die elfenkronen reihe 01 die elfenkron kendare - Feb 10 2022

elfenkronen von holly black buch 978 3 570 31358 9 thalia - Nov 21 2022

web likewise reach not discover the broadcast elfenkronen die elfenkronen reihe 01 die elfenkron pdf that you are looking for it will unconditionally squander the time

buchreihe die elfenkronen von holly black in - Jul 30 2023

web bestellen bei amazon neue kurzmeinungen positiv 607 kristinas kuddelmuddel vor 24 tagen 3 5 sterne spannende story interessante welt unangenehme charaktere

elfenkronen die elfenkronen reihe 01 die elfenkron pdf pdf - Feb 22 2023

web beschreibung ein gefährlicher machtkampf eine elfenkronen und ein mädchen natürlich möchte ich wie sie sein

elfenkronen die elfenkronen reihe 01 die elfenkron pdf - Dec 23 2022

web sep 28 2023 the darkest part of the forest holly black 2015 01 13 a girl makes a secret sacrifice to the faerie king in this lush new york times bestselling fantasy by author holly

elfenkronen die elfenkronen reihe 01 amazon de - Mar 26 2023

web elfenkronen die elfenkronen reihe 01 die elfenkron 1 elfenkronen die elfenkronen reihe 01 die elfenkron the wrym king inheritance ash princess thirteen ms marvel

elfenkronen die elfenkronen reihe 01 die elfenkron copy - Apr 14 2022

web elfenkronen die elfenkronen reihe 01 die elfenkron 1 elfenkronen die elfenkronen reihe 01 die elfenkron this is likewise one of the factors by obtaining the soft

elfenkronen die elfenkronen reihe 01 lovelybooks - Apr 26 2023

web aug 11 2023 thank you very much for downloading elfenkron die elfenkronen reihe 01 die elfenkron pdf maybe you have knowledge that people have look numerous

[elfenkronen bücher in der richtigen reihenfolge](#) - Aug 31 2023

web elfenkron die elfenkronen reihe 01 die elfenkron the wyrm king the iron trial free preview edition the chronicles of spiderwick the copper gauntlet magisterium 2

[elfenkron die elfenkron reihe 01 amazon de](#) - Jun 28 2023

web elfenkron die elfenkron reihe 01 gewinner des deutschen phantastik preises 2019 kindle ausgabe von holly black autor anne brauner Übersetzer format kindle

[elfenkron die elfenkronen reihe 01 die elfenkron pdf](#) - Sep 19 2022

web nov 19 2018 section 1 section 2 section 3 section 4 section 5 section 6 section 7 section 8 section 17 section 18 section 19

elfenkron die elfenkronen reihe 01 die elfenkron pdf 2023 - Jan 24 2023

web beschreibung sie sind schön wie das feuer und gnadenlos wie schwerter bis ein mädchen ihnen einhalt gebietet natürlich möchte ich wie sie sein sie sind

elfenkron die elfenkronen reihe 01 die elfenkron pdf - Mar 14 2022

web you may not be perplexed to enjoy all ebook collections elfenkron die elfenkronen reihe 01 die elfenkron that we will extremely offer it is not regarding the costs its not

[elfenkron die elfenkronen reihe 01 die elfenkron full pdf old](#) - Jan 12 2022

elfenkron die elfenkronen reihe 01 die elfenkron ai classmonitor - May 28 2023

web recognizing the pretension ways to acquire this book elfenkron die elfenkronen reihe 01 die elfenkron pdf is additionally useful you have remained in right site to start

elfenkron alle bücher in chronologischer reihenfolge hier - Oct 01 2023

web verrate uns hat dir das zuletzt gelesene buch der reihe gefallen mehr zum r autor in unter dem nachfolgenden link finden sie weitere bücher und biografische informationen

[elfenkron die elfenkronen reihe 01 die elfenkron pdf](#) - May 16 2022

web of guides you could enjoy now is elfenkron die elfenkronen reihe 01 die elfenkron below william and mary a roald dahl short story roald dahl 2012 09 13 william

[wertschöpfung durch interne kommunikation request pdf](#) - Jun 03 2023

web jan 1 2021 Über den positiven beitrag organisationsinterner kommunikation zur wertschöpfung von unternehmen und

organisationen im allgemeinen herrscht weitgehend einigkeit buchele et al 2020 und sie
[pdf was bringt das alles wertschöpfung durch kommunikation](#) - Jul 04 2023

web oct 1 2015 wie bemisst sich kommunikations und unternehmenserfolg welche wirkungsmodelle gibt es welche
messmethoden stellt das kommunikations controlling bereit und welche herausforderungen gibt es
[wertschöpfung durch kommunikation wie unternehmen](#) - Sep 06 2023

web wertschöpfung durch kommunikation instrumente einer business community praktische ansätze für die integration eines
wissensmanagement systems die kommunikation gesellschaftlicher verantwortung am nachhaltigen kapitalmarkt
[wertschöpfung definition berechnung beispiele tipps büro kaizen](#) - May 22 2022

web schritt für schritt erarbeitet sich so durch negative wie positive erfahrungen aber vor allem auch durch eine sorgfältige
beobachtung und analyse der bestehenden prozesse eine immer weitergehende optimierung des existierenden
gesamtprozesses flyerproduktion die schließlich nicht nur zu einem reibungslosen prozess im unternehmen sondern
[wertschöpfung durch interne kommunikation springerlink](#) - Aug 05 2023

web aug 4 2021 interne kommunikation spielt im wertschöpfungsprozess von unternehmen und organisationen eine
wichtige rolle die genauen zusammenhänge sind aber oft ungeklärt der beitrag verdeutlicht die zusammenhänge und
skizziert mit welchen ansätzen und methoden sich diese beziehung zur wertschöpfung herausarbeiten und darstellen
[wertschöpfung durch kommunikation wie unternehmen](#) - Mar 20 2022

web aug 12 2023 transparenz über dieses wissen im unternehmen herrscht um die kommunikation und den
informationsfluss im vertrieb zu verbessern wurde anfang 2009 eine globale business community von nsn entwickelt durch
diese konsolidierung mehrerer business units in eine einzige applikation besteht die übergreifende
[wertschöpfung durch kommunikation wie unternehmen 2022](#) - Oct 07 2023

web zur unternehmenskommunikation zeigt wie kommunikation zum wirtschaftlichen erfolg beiträgt die führung unterstützt
handlungsspielräume schafft beziehungen aufbaut und die reputation steigert
[wertschöpfung durch interne kommunikation semantic scholar](#) - Feb 28 2023

web interne kommunikation spielt im wertschöpfungsprozess von unternehmen und organisationen eine wichtige rolle die
genauen zusammenhänge sind aber oft ungeklärt der beitrag verdeutlicht die zusammenhänge und skizziert mit welchen
ansätzen und methoden sich diese beziehung zur wertschöpfung herausarbeiten und darstellen lässt
[wertschöpfung durch kommunikation wie unternehmen](#) - Dec 29 2022

web kommunikation von unternehmen es hilft studierenden und praktikern die komplexen zusammenhänge zwischen der
kommunikation von unternehmen und den erwartungen ihrer anspruchsgruppen zu verstehen in den letzten jahren haben
sich diese erwartungen verändert und die öffentlichen

der beitrag von kommunikation zur wertschöpfung request pdf - Nov 27 2022

web may 17 2019 dieses kapitel vermittelt grundlegendes wissen das vorstände geschäftsführer und andere führungskräfte benötigen um zielführend mit kommunikationsabteilungen zusammenzuarbeiten für

wertschöpfung durch kommunikation wie unternehmen den - Jun 22 2022

web wertschöpfung durch kommunikation kommunikations controlling interne kommunikation im unternehmen diese 5 fehler gilt was bringt das alles wertschöpfung durch kommunikation kommunikation im unternehmen prescreen io

wertschöpfung durch kommunikation wie unternehmen den wertschöpfung durch kommunikation

die rolle der kommunikation in der wertschöpfung der - Aug 25 2022

web der folgende beitrag klart die bedeutung der kommunikation fur die wertschopfung des unternehmens und erlautert die managementfunktion der corporate communication dieser erste teil des buches dient als begriffsrahmen fur das aufgabenfeld untemehmskommunikation aus sicht der unternehmensfuhrung

wertschopfung durch kommunikation wie unternehmen book - May 02 2023

web unternehmen wie dm drogerie markt young rubicam deutsche telekom etc zeigen die erfolgreiche umsetzung der integrierten kommunikation in verschiedenen branchen einfuhrung in die moderne unternehmenskommunikation jan 25 2022

wertschöpfung durch interne kommunikation request pdf - Apr 01 2023

web aug 1 2021 interne kommunikation spielt im wertschöpfungsprozess von unternehmen und organisationen eine wichtige rolle die genauen zusammenhänge sind aber oft ungeklärt der beitrag verdeutlicht die

die rolle der kommunikation in der wertschöpfung der - Oct 27 2022

web jan 1 2008 die rolle der kommunikation in der wertschöpfung der unternehmung authors beat schmid university of st gallen boris lyczek abstract der folgende beitrag klärt die bedeutung der kommunikation

wertschopfung durch kommunikation wie unternehmen copy - Feb 16 2022

web wertschöpfung durch kommunikation herbert von halem verlag der erste band der handbuchreihe kommunikation beschäftigt sich mit der mittel bis langfristigen schwerpunktlegung der kommunikation von unternehmen dem leser wird ein Überblick über die verschiedenen themenfelder der kommunikation unter strategischen

handbuch unternehmenskommunikation strategie - Jan 30 2023

web jan 1 2014 der vorliegende beitrag skizziert eine interdisziplinäre theorie der integrierten unternehmenskommunikation die ausgehend von der rolle der unternehmung in markt und gesellschaft verschiedene

kommunikation ist wertschöpfung durch wertschätzung - Jul 24 2022

web jun 24 2015 download citation kommunikation ist wertschöpfung durch wertschätzung das zukunftsorientierte

unternehmen gründet auf einem welt und menschenbild der wertschätzung

wertschöpfung durch kommunikation wie unternehmen den - Sep 25 2022

web wertschöpfung durch kommunikation wie unternehmen den erfolg ihrer kommunikation steuern und bilanzieren

pfannenberg jörg zerfass ansgar isbn 9783899810530 kostenloser versand für alle bücher

warum wertschöpfung im unternehmen der weg zum erfolg ist - Apr 20 2022

web wertschöpfung ist das fundament eines jeden unternehmens es ist das was sie von der konkurrenz abhebt langfristige

kunden sichert und ihrer marke und ihrem produkt bedeutung verleiht ohne wertschöpfung wird ihr angebot in den augen

ihres zielmarktes nur zu einer weiteren ware