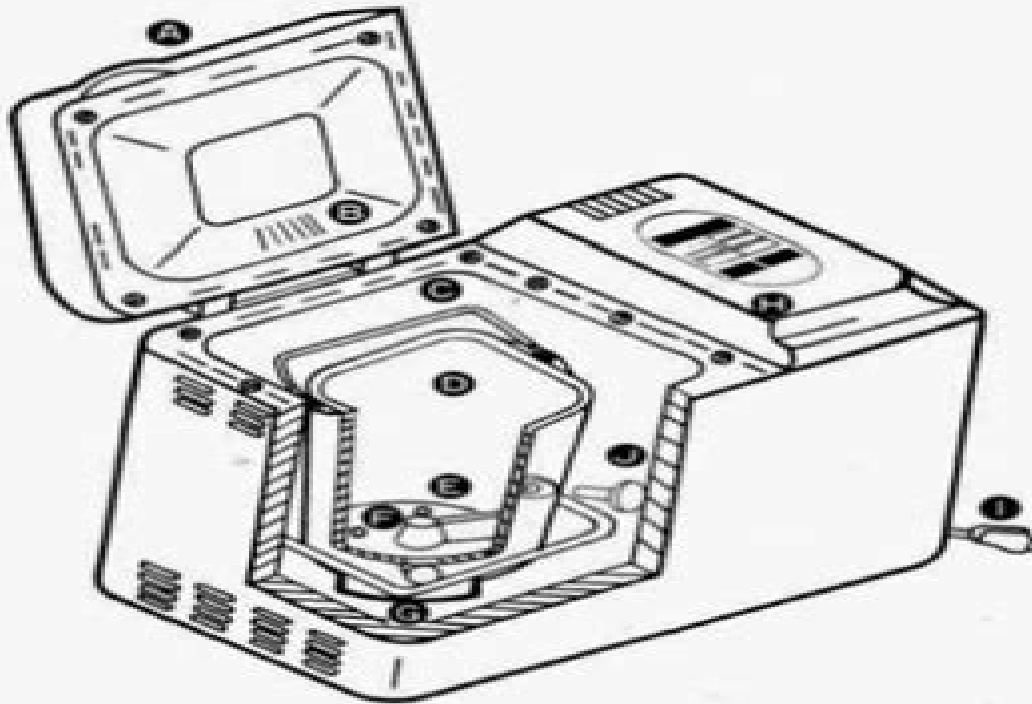


---

# YOUR WELBILT® BREAD MACHINE



- A. Lid
- B. Steam Vent
- C. Handle
- D. Bread Pan
- E. Kneading Blade
- F. Drive Shaft
- G. Heating Element
- H. Control Panel
- I. Power Cord
- J. Dough Hook

**Welbilt Bread Machine Parts Model Abm8200**  
**Instruction Manual Recipes Abm 8**

**Brian Maher**



**Welbilt Bread Machine Parts Model Abm8200 Instruction Manual Recipes Abm 8:**

This is likewise one of the factors by obtaining the soft documents of this **Welbilt Bread Machine Parts Model Abm8200 Instruction Manual Recipes Abm 8** by online. You might not require more era to spend to go to the books commencement as skillfully as search for them. In some cases, you likewise do not discover the publication Welbilt Bread Machine Parts Model Abm8200 Instruction Manual Recipes Abm 8 that you are looking for. It will definitely squander the time.

However below, in imitation of you visit this web page, it will be for that reason certainly simple to get as skillfully as download guide Welbilt Bread Machine Parts Model Abm8200 Instruction Manual Recipes Abm 8

It will not believe many period as we notify before. You can reach it while perform something else at home and even in your workplace. for that reason easy! So, are you question? Just exercise just what we meet the expense of under as skillfully as evaluation **Welbilt Bread Machine Parts Model Abm8200 Instruction Manual Recipes Abm 8** what you as soon as to read!

<https://letsgetcooking.org.uk/book/virtual-library/Documents/Toshiba%20Model%2055g310u%20Manual.pdf>

## **Table of Contents Welbilt Bread Machine Parts Model Abm8200 Instruction Manual Recipes Abm 8**

1. Understanding the eBook Welbilt Bread Machine Parts Model Abm8200 Instruction Manual Recipes Abm 8
  - The Rise of Digital Reading Welbilt Bread Machine Parts Model Abm8200 Instruction Manual Recipes Abm 8
  - Advantages of eBooks Over Traditional Books
2. Identifying Welbilt Bread Machine Parts Model Abm8200 Instruction Manual Recipes Abm 8
  - Exploring Different Genres
  - Considering Fiction vs. Non-Fiction
  - Determining Your Reading Goals
3. Choosing the Right eBook Platform
  - Popular eBook Platforms
  - Features to Look for in an Welbilt Bread Machine Parts Model Abm8200 Instruction Manual Recipes Abm 8
  - User-Friendly Interface

4. Exploring eBook Recommendations from Welbilt Bread Machine Parts Model Abm8200 Instruction Manual Recipes Abm 8
  - Personalized Recommendations
  - Welbilt Bread Machine Parts Model Abm8200 Instruction Manual Recipes Abm 8 User Reviews and Ratings
  - Welbilt Bread Machine Parts Model Abm8200 Instruction Manual Recipes Abm 8 and Bestseller Lists
5. Accessing Welbilt Bread Machine Parts Model Abm8200 Instruction Manual Recipes Abm 8 Free and Paid eBooks
  - Welbilt Bread Machine Parts Model Abm8200 Instruction Manual Recipes Abm 8 Public Domain eBooks
  - Welbilt Bread Machine Parts Model Abm8200 Instruction Manual Recipes Abm 8 eBook Subscription Services
  - Welbilt Bread Machine Parts Model Abm8200 Instruction Manual Recipes Abm 8 Budget-Friendly Options
6. Navigating Welbilt Bread Machine Parts Model Abm8200 Instruction Manual Recipes Abm 8 eBook Formats
  - ePub, PDF, MOBI, and More
  - Welbilt Bread Machine Parts Model Abm8200 Instruction Manual Recipes Abm 8 Compatibility with Devices
  - Welbilt Bread Machine Parts Model Abm8200 Instruction Manual Recipes Abm 8 Enhanced eBook Features
7. Enhancing Your Reading Experience
  - Adjustable Fonts and Text Sizes of Welbilt Bread Machine Parts Model Abm8200 Instruction Manual Recipes Abm 8
  - Highlighting and Note-Taking Welbilt Bread Machine Parts Model Abm8200 Instruction Manual Recipes Abm 8
  - Interactive Elements Welbilt Bread Machine Parts Model Abm8200 Instruction Manual Recipes Abm 8
8. Staying Engaged with Welbilt Bread Machine Parts Model Abm8200 Instruction Manual Recipes Abm 8
  - Joining Online Reading Communities
  - Participating in Virtual Book Clubs
  - Following Authors and Publishers Welbilt Bread Machine Parts Model Abm8200 Instruction Manual Recipes Abm 8
9. Balancing eBooks and Physical Books Welbilt Bread Machine Parts Model Abm8200 Instruction Manual Recipes Abm 8
  - Benefits of a Digital Library
  - Creating a Diverse Reading Collection Welbilt Bread Machine Parts Model Abm8200 Instruction Manual Recipes Abm 8
10. Overcoming Reading Challenges
  - Dealing with Digital Eye Strain
  - Minimizing Distractions

- Managing Screen Time
- 11. Cultivating a Reading Routine Welbilt Bread Machine Parts Model Abm8200 Instruction Manual Recipes Abm 8
  - Setting Reading Goals Welbilt Bread Machine Parts Model Abm8200 Instruction Manual Recipes Abm 8
  - Carving Out Dedicated Reading Time
- 12. Sourcing Reliable Information of Welbilt Bread Machine Parts Model Abm8200 Instruction Manual Recipes Abm 8
  - Fact-Checking eBook Content of Welbilt Bread Machine Parts Model Abm8200 Instruction Manual Recipes Abm 8
  - Distinguishing Credible Sources
- 13. Promoting Lifelong Learning
  - Utilizing eBooks for Skill Development
  - Exploring Educational eBooks
- 14. Embracing eBook Trends
  - Integration of Multimedia Elements
  - Interactive and Gamified eBooks

### **Welbilt Bread Machine Parts Model Abm8200 Instruction Manual Recipes Abm 8 Introduction**

Free PDF Books and Manuals for Download: Unlocking Knowledge at Your Fingertips In today's fast-paced digital age, obtaining valuable knowledge has become easier than ever. Thanks to the internet, a vast array of books and manuals are now available for free download in PDF format. Whether you are a student, professional, or simply an avid reader, this treasure trove of downloadable resources offers a wealth of information, conveniently accessible anytime, anywhere. The advent of online libraries and platforms dedicated to sharing knowledge has revolutionized the way we consume information. No longer confined to physical libraries or bookstores, readers can now access an extensive collection of digital books and manuals with just a few clicks. These resources, available in PDF, Microsoft Word, and PowerPoint formats, cater to a wide range of interests, including literature, technology, science, history, and much more. One notable platform where you can explore and download free Welbilt Bread Machine Parts Model Abm8200 Instruction Manual Recipes Abm 8 PDF books and manuals is the internet's largest free library. Hosted online, this catalog compiles a vast assortment of documents, making it a veritable goldmine of knowledge. With its easy-to-use website interface and customizable PDF generator, this platform offers a user-friendly experience, allowing individuals to effortlessly navigate and access the information they seek. The availability of free PDF books and manuals on this platform demonstrates its commitment to democratizing education and empowering individuals with the tools needed to succeed in their chosen fields. It allows anyone, regardless of their background or financial limitations, to expand their horizons and gain insights from experts in various disciplines. One of the most

significant advantages of downloading PDF books and manuals lies in their portability. Unlike physical copies, digital books can be stored and carried on a single device, such as a tablet or smartphone, saving valuable space and weight. This convenience makes it possible for readers to have their entire library at their fingertips, whether they are commuting, traveling, or simply enjoying a lazy afternoon at home. Additionally, digital files are easily searchable, enabling readers to locate specific information within seconds. With a few keystrokes, users can search for keywords, topics, or phrases, making research and finding relevant information a breeze. This efficiency saves time and effort, streamlining the learning process and allowing individuals to focus on extracting the information they need. Furthermore, the availability of free PDF books and manuals fosters a culture of continuous learning. By removing financial barriers, more people can access educational resources and pursue lifelong learning, contributing to personal growth and professional development. This democratization of knowledge promotes intellectual curiosity and empowers individuals to become lifelong learners, promoting progress and innovation in various fields. It is worth noting that while accessing free Welbilt Bread Machine Parts Model Abm8200 Instruction Manual Recipes Abm 8 PDF books and manuals is convenient and cost-effective, it is vital to respect copyright laws and intellectual property rights. Platforms offering free downloads often operate within legal boundaries, ensuring that the materials they provide are either in the public domain or authorized for distribution. By adhering to copyright laws, users can enjoy the benefits of free access to knowledge while supporting the authors and publishers who make these resources available. In conclusion, the availability of Welbilt Bread Machine Parts Model Abm8200 Instruction Manual Recipes Abm 8 free PDF books and manuals for download has revolutionized the way we access and consume knowledge. With just a few clicks, individuals can explore a vast collection of resources across different disciplines, all free of charge. This accessibility empowers individuals to become lifelong learners, contributing to personal growth, professional development, and the advancement of society as a whole. So why not unlock a world of knowledge today? Start exploring the vast sea of free PDF books and manuals waiting to be discovered right at your fingertips.

### **FAQs About Welbilt Bread Machine Parts Model Abm8200 Instruction Manual Recipes Abm 8 Books**

How do I know which eBook platform is the best for me? Finding the best eBook platform depends on your reading preferences and device compatibility. Research different platforms, read user reviews, and explore their features before making a choice. Are free eBooks of good quality? Yes, many reputable platforms offer high-quality free eBooks, including classics and public domain works. However, make sure to verify the source to ensure the eBook credibility. Can I read eBooks without an eReader? Absolutely! Most eBook platforms offer web-based readers or mobile apps that allow you to read eBooks on your computer, tablet, or smartphone. How do I avoid digital eye strain while reading eBooks? To prevent digital

eye strain, take regular breaks, adjust the font size and background color, and ensure proper lighting while reading eBooks. What the advantage of interactive eBooks? Interactive eBooks incorporate multimedia elements, quizzes, and activities, enhancing the reader engagement and providing a more immersive learning experience. Welbilt Bread Machine Parts Model Abm8200 Instruction Manual Recipes Abm 8 is one of the best book in our library for free trial. We provide copy of Welbilt Bread Machine Parts Model Abm8200 Instruction Manual Recipes Abm 8 in digital format, so the resources that you find are reliable. There are also many Ebooks of related with Welbilt Bread Machine Parts Model Abm8200 Instruction Manual Recipes Abm 8. Where to download Welbilt Bread Machine Parts Model Abm8200 Instruction Manual Recipes Abm 8 online for free? Are you looking for Welbilt Bread Machine Parts Model Abm8200 Instruction Manual Recipes Abm 8 PDF? This is definitely going to save you time and cash in something you should think about.

**Find Welbilt Bread Machine Parts Model Abm8200 Instruction Manual Recipes Abm 8 :**

[toshiba model 55g310u manual](#)

[tourism papernov memo](#)

**tourism question paper grade11 exam term4 2014 november**

*toshiba satellite l650 user manual*

*toshiba-satellite-a135-s2276-motherboard*

**total gym xls exercise manual**

**touchtunes jukebox owners manual**

**toshiba satellite l350d manual**

**toshiba regza 42lx177 manual**

[toshiba tv menu code](#)

[touch math manual fractions](#)

*touch point subtraction*

**toshiba notebook user guide**

[tout savoir sur secrets de managers qui reacuteussissent](#)

[tourism practical assessment task 2014 memorandum](#)

**Welbilt Bread Machine Parts Model Abm8200 Instruction Manual Recipes Abm 8 :**

The Ultimate Jazz Fake Book - C Edition Buy the official Hal Leonard Fake Book, 'The Ultimate Jazz Fake Book - C Edition'



(Sheet Music) The Ultimate Jazz Fake Book (Fake Books) C ... (Fake Book). This must-own collection includes 635 songs spanning all jazz styles from more than 9 decades from traditional to swing to modern jazz, ... Ultimate Jazz Fake Book : B Flat/No 240080 The Ultimate Jazz Fake Book includes: \* More than 625 songs important to every jazz library \* Carefully chosen chords with some common practice chord ... Ultimate Jazz Fake Book C Edition Ultimate Jazz Fake Book C Edition. Sale price\$49.99. SKU: 00240079. Fake Book Series The Ultimate Jazz Fake Book C Edition Series: Fake Book Composer: Various 49.99 ... The Ultimate Jazz Fake Book B-flat Edition. The Ultimate Jazz Fake Book B ... The Ultimate Jazz Fake Book (C Edition) (HL-00240079) The Ultimate Jazz Fake Book (C Edition) - This must-own collection includes 635 songs spanning all jazz styles from more than 9 decades - from traditional ... The Ultimate Jazz Fake Book - C Edition Fake Book The Ultimate Jazz Fake Book - C Edition Fake Book ... Offer available through 11/30/23. Learn More. Default Title. The Ultimate Jazz Fake Book - ... The Ultimate Jazz Fake Book by Various Composers Buy The Ultimate Jazz Fake Book by Various Composers at jwpepper.com. Piano/Vocal Sheet Music. This must-own collection includes more than 625 songs spa. Jazz & Misc Fake Books Jazz & Misc Fake Books ; Ultimate Jazz Fakebook C Edition · 5263600 · C Instrument · \$49.99 ; Real Book Volume 1 · 21441300 · CD-ROM · \$29.99 ; Real Book Volume 2 ... YMS3e Resources used with Yates, Moore, Starnes "The Practice of Statistics, 3rd Edition" in AP Statistics at LSHS. ... Case Closed: CaseClosedHandout4.pdf. Bullet CaseClosed4. 9 Caseclosed Answer Sheet 1 - Yms2e: Chapter 9 Name YMS2E: CHAPTER 9 NAME: \_ Case Closed Building Better Batteries Review the information in the Battery Case Study from. ... AP STAT STATISTICS. 2 · Physics Phet ... Case Closed Case Closed. Can Magnets Help Reduce Pain? Chapter "P". AP Stats. Page 2. I: Data Analysis. Answer the key questions: Who: 50 polio patients who reported pain ... CASE STUDY - Can magnets help reduce pain? Answers to Case Closed! 1. (a) Who? The individuals are the. 50 polio ... Were these available data or new data produced to answer a current question? b. Is ... AP Statistics Chapter 3 Examining Relationship Case Closed AP Statistics Chapter 3 Examining Relationships Case Closed Baseballs Answers 1 ... was -61.09 homeruns hit.The intercept has not practical interpretation in this ... Exercise 1, Chapter 6: Random Variables, The Practice of ... 6.3 Case Closed. 408. Exercise 1. 409. Exercise 2. 409. Exercise 3. 409. Exercise 4 ... Exercise 2.93, 2.5 Exercises, Statistics, 13 Edition Answer. Q. Exercise ... Ap Statistics Case Closed Answers How to edit ap statistics case closed answers online ... Log in. Click Start Free Trial and create a profile if necessary. 2. Prepare a file. Use the Add New ... Case Closed Nielsen Ratings Chapter 1 AP Stats at LSHS ... 1 Case Closed Nielsen Ratings Chapter 1 AP Stats at LSHS Mr. · 2 I: Graphical Analysis 1. · 3 II: Numerical Analysis 2. · 4 III: Outliers 3. Case Closed The New SAT Chapter 2 AP Stats at LSHS Mr ... I: Normal Distributions 1. SAT Writing Scores are N(516, 115) What score would place a student in the 65th Percentile? 516 SAT Writing Scores  $\approx$ N(516, ... Probability Case Closed - Airport Security Using what you have learnt about simulations and probability, you should now be able to answer ... AP STATISTICS | Case Closed! ANSWERS: 1. False-negative when ... Bean Thirteen: McElligott, Matthew Wonderful book to introduce math concepts for

early and intermediate learners. Explores fair shares, number sense, composing/decomposing numbers, division and ... Bean Thirteen by Matthew McElligott, Hardcover The third adventure in the New York Times best-selling Percy Jackson and the Olympians series—now in paperback. When the goddess Artemis goes missing, she is ... Bean Thirteen - By Matthew Mcelligott (hardcover) A funny story about beans, that may secretly be about . . . math! Sometimes you can divide, but you just can't conquer (the bean thirteen, that is). Buy Bean Thirteen in Bulk | Class Set | 9780399245350 By Matthew McElligott, Matthew McElligott, ISBN: 9780399245350, Hardcover. Bulk books at wholesale prices. Min. 25 copies. Free Shipping & Price Match Guar. Bean Thirteen - McElligott, Matthew: 9780399245350 Bean Thirteen by McElligott, Matthew - ISBN 10: 0399245359 - ISBN 13: 9780399245350 - G.P. Putnam's Sons Books for Young Readers - 2007 - Hardcover. Bean Thirteen About the Book. Bean Thirteen. 2007, G. P. Putnam's Sons ISBN Hardcover: 0399245359. Recommend ages: 4 to 8. Also available as an audiobook ... Bean Thirteen (Hardcover) Bean Thirteen (Hardcover). (4.0)4 stars out of 1 review1 review. USDNow \$13.54. You save \$2.45. You save\$2.45. was \$15.99\$15.99. Price when purchased online. Bean Thirteen | Wonder Book Two bugs, Ralph and Flora, try to divide thirteen beans so that the unlucky thirteenth bean disappears, but they soon discover that the math is not so easy. Bean Thirteen by Matthew McElligott GRADES 2 - 5 • Hardcover Book. \$14.24. \$18.99 25% off. ADD TO CART. SAVE TO WISHLIST. First Illustrated Math Dictionary. GRADES ... Bean Thirteen by Matthew McElligott Hardcover \$16.99. May 10, 2007 | ISBN 9780399245350 | 5-8 years. Add to Cart. Buy from Other Retailers: · Audiobook Download. Jul 10, 2018 | ISBN 9780525592938 | ...