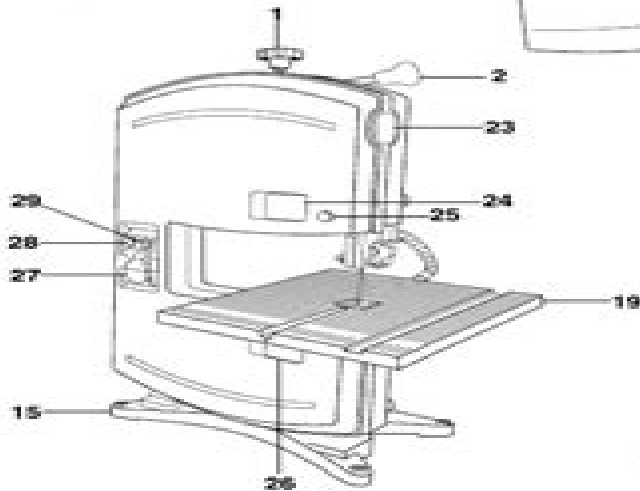
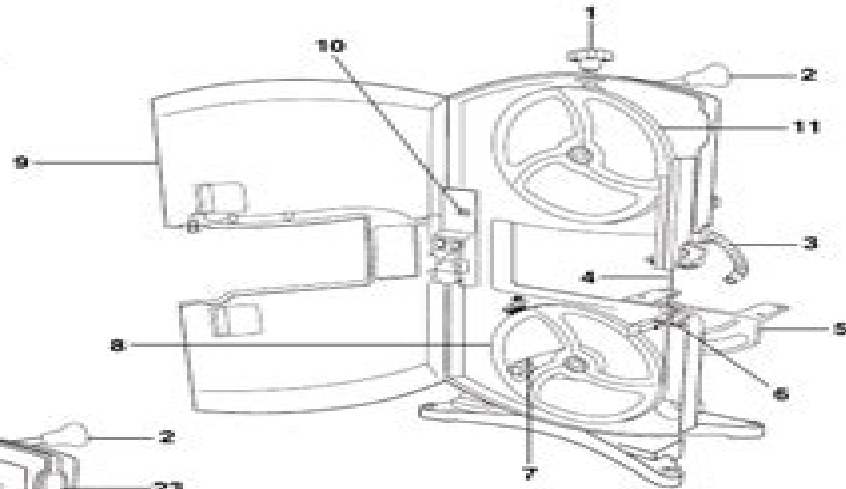
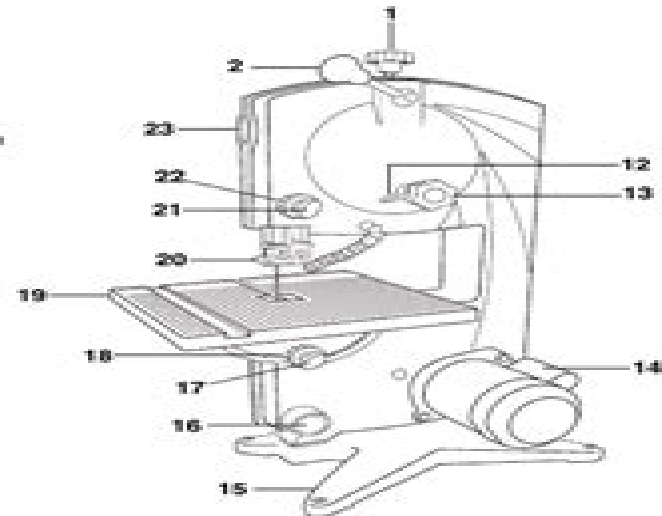


## Getting To Know Your Band Saw

- 1 Blade tension knob
- 2 Blade tension quick release handle
- 3 LED work light
- 4 Blade
- 5 Table support assembly
- 6 Lower blade guide
- 7 Drive belt
- 8 Lower wheel
- 9 Door
- 10 Reset button
- 11 Upper wheel
- 12 Blade tracking lock knob
- 13 Blade tracking knob
- 14 Motor assembly
- 15 Base
- 16 Dust port
- 17 Table tilt adjustment lock knob
- 18 Table tilt adjustment knob



- 19 Table
- 20 Upper blade guide
- 21 Upper blade guide lock knob
- 22 Upper blade guide adjustment knob
- 23 Upper viewing port
- 24 Upper door latch
- 25 Laser line adjustment knob
- 26 Lower door latch
- 27 ON/OFF switch with safety key
- 28 Laser switch
- 29 Work light switch



# Skil Band Saw Manual

**BM King**



## **Skil Band Saw Manual:**

*Boatbuilding Manual, Fifth Edition* Robert M. Steward, Carl Cramer, 2010-12-10 Get the latest boatbuilding tips from this updated classic Since its first publication in 1970 Boatbuilding Manual has become the standard reference in boatbuilding and boat design schools in the offices of professional builders and in the basement workshops of home builders No other boatbuilding text has simultaneously served the disparate needs of professional and amateur audiences so successfully Carl Cramer the publisher of *WoodenBoat* and *Professional Boatbuilder* magazines has fully updated this fifth edition with the latest in boatbuilding techniques and developments Includes The latest wood epoxy construction methods that make amateur building more successful than ever before Recommendations on products and materials saving you time and money substantial time and expense Topics include Plans Tools Woods Fiberglass and Other Hull Materials Fastenings Lines and Laying Down Molds Templates and the Backbone Setting Up Framing Planking Deck Framing Decking Deck Joinerwork Interior Joinerwork Finishing Sailboat Miscellany Steering Tanks Plumbing etc Mechanical and Electrical Potpourri Safety

The Band Saw Book R. J. DeCristoforo, 1989    Construction Methods and Equipment ,1956    Regional Industrial Buying Guide ,1996    Construction Methods ,1957    **Mechanix Illustrated** ,1983    Industrial Arts and Vocational Education ,1960    Maine Register Or State Year-book and Legislative Manual from April 1 ... to April 1 ... ,1891

Popular Science ,1977-03 Popular Science gives our readers the information and tools to improve their technology and their world The core belief that Popular Science and our readers share The future is going to be better and science and technology are the driving forces that will help make it better    **Industrial Distribution** ,1982    **Maine Register, State Year-book and Legislative Manual** ,1890    **Maine Register Or State Year-book and Legislative Manual** ,1887

Hardware Retailer Buyer's Guide ,1955    **Woodworkers Buyer's Guide to Power Tools** Frank M. Pittman, 1986  
The Wood-worker ,1936    **Industrial Arts & Vocational Education** ,1966    Popular Mechanics ,1965-11 Popular Mechanics inspires instructs and influences readers to help them master the modern world Whether it s practical DIY home improvement tips gadgets and digital technology information on the newest cars or the latest breakthroughs in science PM is the ultimate guide to our high tech lifestyle    **Welding Design & Fabrication** ,1979    Hardware Retailing ,1984

**Popular Mechanics** ,1966-01 Popular Mechanics inspires instructs and influences readers to help them master the modern world Whether it s practical DIY home improvement tips gadgets and digital technology information on the newest cars or the latest breakthroughs in science PM is the ultimate guide to our high tech lifestyle

Right here, we have countless books **Skil Band Saw Manual** and collections to check out. We additionally allow variant types and after that type of the books to browse. The conventional book, fiction, history, novel, scientific research, as without difficulty as various additional sorts of books are readily manageable here.

As this Skil Band Saw Manual, it ends going on instinctive one of the favored ebook Skil Band Saw Manual collections that we have. This is why you remain in the best website to see the incredible ebook to have.

[https://letsgetcooking.org.uk/data/uploaded-files/index.jsp/Nmmu\\_Nsfas\\_Application\\_Forms\\_2015.pdf](https://letsgetcooking.org.uk/data/uploaded-files/index.jsp/Nmmu_Nsfas_Application_Forms_2015.pdf)

## **Table of Contents Skil Band Saw Manual**

1. Understanding the eBook Skil Band Saw Manual
  - The Rise of Digital Reading Skil Band Saw Manual
  - Advantages of eBooks Over Traditional Books
2. Identifying Skil Band Saw Manual
  - Exploring Different Genres
  - Considering Fiction vs. Non-Fiction
  - Determining Your Reading Goals
3. Choosing the Right eBook Platform
  - Popular eBook Platforms
  - Features to Look for in an Skil Band Saw Manual
  - User-Friendly Interface
4. Exploring eBook Recommendations from Skil Band Saw Manual
  - Personalized Recommendations
  - Skil Band Saw Manual User Reviews and Ratings
  - Skil Band Saw Manual and Bestseller Lists
5. Accessing Skil Band Saw Manual Free and Paid eBooks
  - Skil Band Saw Manual Public Domain eBooks

- Skil Band Saw Manual eBook Subscription Services
- Skil Band Saw Manual Budget-Friendly Options
- 6. Navigating Skil Band Saw Manual eBook Formats
  - ePub, PDF, MOBI, and More
  - Skil Band Saw Manual Compatibility with Devices
  - Skil Band Saw Manual Enhanced eBook Features
- 7. Enhancing Your Reading Experience
  - Adjustable Fonts and Text Sizes of Skil Band Saw Manual
  - Highlighting and Note-Taking Skil Band Saw Manual
  - Interactive Elements Skil Band Saw Manual
- 8. Staying Engaged with Skil Band Saw Manual
  - Joining Online Reading Communities
  - Participating in Virtual Book Clubs
  - Following Authors and Publishers Skil Band Saw Manual
- 9. Balancing eBooks and Physical Books Skil Band Saw Manual
  - Benefits of a Digital Library
  - Creating a Diverse Reading Collection Skil Band Saw Manual
- 10. Overcoming Reading Challenges
  - Dealing with Digital Eye Strain
  - Minimizing Distractions
  - Managing Screen Time
- 11. Cultivating a Reading Routine Skil Band Saw Manual
  - Setting Reading Goals Skil Band Saw Manual
  - Carving Out Dedicated Reading Time
- 12. Sourcing Reliable Information of Skil Band Saw Manual
  - Fact-Checking eBook Content of Skil Band Saw Manual
  - Distinguishing Credible Sources
- 13. Promoting Lifelong Learning
  - Utilizing eBooks for Skill Development
  - Exploring Educational eBooks

## 14. Embracing eBook Trends

- Integration of Multimedia Elements
- Interactive and Gamified eBooks

### **Skil Band Saw Manual Introduction**

Free PDF Books and Manuals for Download: Unlocking Knowledge at Your Fingertips In today's fast-paced digital age, obtaining valuable knowledge has become easier than ever. Thanks to the internet, a vast array of books and manuals are now available for free download in PDF format. Whether you are a student, professional, or simply an avid reader, this treasure trove of downloadable resources offers a wealth of information, conveniently accessible anytime, anywhere. The advent of online libraries and platforms dedicated to sharing knowledge has revolutionized the way we consume information. No longer confined to physical libraries or bookstores, readers can now access an extensive collection of digital books and manuals with just a few clicks. These resources, available in PDF, Microsoft Word, and PowerPoint formats, cater to a wide range of interests, including literature, technology, science, history, and much more. One notable platform where you can explore and download free Skil Band Saw Manual PDF books and manuals is the internet's largest free library. Hosted online, this catalog compiles a vast assortment of documents, making it a veritable goldmine of knowledge. With its easy-to-use website interface and customizable PDF generator, this platform offers a user-friendly experience, allowing individuals to effortlessly navigate and access the information they seek. The availability of free PDF books and manuals on this platform demonstrates its commitment to democratizing education and empowering individuals with the tools needed to succeed in their chosen fields. It allows anyone, regardless of their background or financial limitations, to expand their horizons and gain insights from experts in various disciplines. One of the most significant advantages of downloading PDF books and manuals lies in their portability. Unlike physical copies, digital books can be stored and carried on a single device, such as a tablet or smartphone, saving valuable space and weight. This convenience makes it possible for readers to have their entire library at their fingertips, whether they are commuting, traveling, or simply enjoying a lazy afternoon at home. Additionally, digital files are easily searchable, enabling readers to locate specific information within seconds. With a few keystrokes, users can search for keywords, topics, or phrases, making research and finding relevant information a breeze. This efficiency saves time and effort, streamlining the learning process and allowing individuals to focus on extracting the information they need. Furthermore, the availability of free PDF books and manuals fosters a culture of continuous learning. By removing financial barriers, more people can access educational resources and pursue lifelong learning, contributing to personal growth and professional development. This democratization of knowledge promotes intellectual curiosity and empowers individuals to become lifelong learners, promoting progress and innovation in various fields. It is worth noting that while

accessing free Skil Band Saw Manual PDF books and manuals is convenient and cost-effective, it is vital to respect copyright laws and intellectual property rights. Platforms offering free downloads often operate within legal boundaries, ensuring that the materials they provide are either in the public domain or authorized for distribution. By adhering to copyright laws, users can enjoy the benefits of free access to knowledge while supporting the authors and publishers who make these resources available. In conclusion, the availability of Skil Band Saw Manual free PDF books and manuals for download has revolutionized the way we access and consume knowledge. With just a few clicks, individuals can explore a vast collection of resources across different disciplines, all free of charge. This accessibility empowers individuals to become lifelong learners, contributing to personal growth, professional development, and the advancement of society as a whole. So why not unlock a world of knowledge today? Start exploring the vast sea of free PDF books and manuals waiting to be discovered right at your fingertips.

### **FAQs About Skil Band Saw Manual Books**

How do I know which eBook platform is the best for me? Finding the best eBook platform depends on your reading preferences and device compatibility. Research different platforms, read user reviews, and explore their features before making a choice. Are free eBooks of good quality? Yes, many reputable platforms offer high-quality free eBooks, including classics and public domain works. However, make sure to verify the source to ensure the eBook credibility. Can I read eBooks without an eReader? Absolutely! Most eBook platforms offer web-based readers or mobile apps that allow you to read eBooks on your computer, tablet, or smartphone. How do I avoid digital eye strain while reading eBooks? To prevent digital eye strain, take regular breaks, adjust the font size and background color, and ensure proper lighting while reading eBooks. What the advantage of interactive eBooks? Interactive eBooks incorporate multimedia elements, quizzes, and activities, enhancing the reader engagement and providing a more immersive learning experience. Skil Band Saw Manual is one of the best book in our library for free trial. We provide copy of Skil Band Saw Manual in digital format, so the resources that you find are reliable. There are also many Ebooks of related with Skil Band Saw Manual. Where to download Skil Band Saw Manual online for free? Are you looking for Skil Band Saw Manual PDF? This is definitely going to save you time and cash in something you should think about.

### **Find Skil Band Saw Manual :**

[nmmu nsfas application forms 2015](#)

*nist 800 30 risk assessment template*

nobuta wo produce episode guide

**nkangala district question paper**

nissan stanza altima full service repair manual 1994

**noetic learning math contest 2011**

*njhmfa financial statement audit guide*

*nissan xtrail workshop service repair manual*

**no bake key lime pie recipe**

**nissan urvan wiper wiring**

nmmu 2015 application forms

nissan yd25ddti engine manual

**nissan teana digital workshop repair manual 2006 onwards**

nj motorcycle road test

**nissan x trail diesel service manual**

**Skil Band Saw Manual :**

**Скачать aim high 3 teacher s book pdf Все для студента** - Apr 20 2022

web oct 21 2015 jane hudson alex raynham tim falla paul a davies ksa edition oxford university press 2011 88 p isbn 978019445309 aim high is a six level english language course the development of aim high was informed by research in schools observing lessons and talking to teachers and

*aim high level 3 student s book a new secondary course which* - Sep 06 2023

web aim high level 3 student s book a new secondary course which helps students become successful independent language learners buy online at best price in ksa souq is now amazon sa falla tim books

*download aim high 5 class cd 3 audio sciarium* - Jun 22 2022

web jul 21 2022 not for ksa edition oxford university press 2020 aim high is a six level course that develops language learning through carefully chosen vocabulary including words from the oxford 3000 tm texts which are interesting and essential study skills aim high will help your students succeed as

**aim high 3 ksa student 2023 cyberlab sutd edu sg** - Feb 16 2022

web higher education in the context of online settings business goals student s book 3 tvtc edition dec 11 2022 business goals is a 3 level short course in communicative english for business purposes levels 2 and 3 have been lightly adapted for saudi



arabia each student s book provides 30

[aim high](#) - Sep 25 2022

web [aim high](#) - Sep 25 2022

[aim high 3 quizlet](#) - Nov 27 2022

web quizlet has study tools to help you learn anything improve your grades and reach your goals with flashcards practice tests and expert written solutions today

[aim high teacher s site teaching resources oxford](#) - Feb 28 2023

web welcome to the aim high teacher s site here you can find materials and resources to support using aim high in your classes

**aim high level 3 student s book classroom presentation tool** - Jun 03 2023

web aim high develops students knowledge of grammar vocabulary and study skills encouraging learner autonomy and exam success isbn 978 0 19 461566 2 deliver heads up lessons by bringing easy to use digital features to the front of the classroom

[aim high 3 teacher s book pdf 6fpnj8chb1e0 e book library](#) - Aug 05 2023

web aim high 3 teacher s book pdf 6fpnj8chb1e0 ksa edition oup 2011 88 pages authors jane hudson alex raynham tim falla paul a davies aim high is a six lev

[aim high 3 student s cd rom sciarium](#) - Jul 04 2023

web oct 23 2015 software aim high 3 student s cd rom rar file size 161 34 mb contains diskimage document s added by elena 10 23 2015 04 05 info modified 01 02 2023 15 42 falla tim davies paul oxford university press 2010

[aim high level 3 student s book oxford university press](#) - Oct 07 2023

web pages 128 binding paperback dimensions 276x219 mm aim high is a six level course that develops language learning through carefully chosen vocabulary including words from the oxford 3000 texts which are interesting and essential study skills

[aim high 3 unit tests with answer key sciarium](#) - Oct 27 2022

web mar 10 2012 aim high will help your students succeed as language learners in the classroom with their homework and also in exams how will it do this it builds students vocabulary knowledge through a structured and progressive approach

**Скачать aim high 3 teacher s book pdf Все для студента** - May 22 2022

web may 13 2021 not for ksa edition oxford university press 2020 144 p aim high is a six level course that develops language learning through carefully chosen vocabulary including words from the oxford 3000 tm texts which are interesting and essential study skills aim high will help your students succeed

*aim high english for school students sciarium - May 02 2023*

web oct 23 2015 aim high is a six level course that develops language learning through carefully chosen vocabulary including words from the oxford 3000 tm texts which are interesting and essential study skills aim high will help your students succeed as language learners in the classroom with their homework and also in exams how

**recent files aim high sciarium - Aug 25 2022**

web jul 20 2022 aim high is a six level course that develops language learning through carefully chosen vocabulary including words from the oxford 3000 tm texts which are interesting and essential study skills aim high will help your students succeed as language learners in the classroom with their homework and also in exams how

**aim high 6 teachers book oxford university press pubhtml5 - Jul 24 2022**

web nov 23 2021 aim high 3 b1 b2 aim high 4 b2 c1 the grammar structures are presented in a short text or other aim high 5 c1 meaningful context aim high 6 c1 c2 each level is divided into five skill areas speaking reading learn this boxes and grammar tables help students to work listening conversation and writing

*aim high 3 ksa student oldcove - Dec 29 2022*

web title aim high 3 ksa student oldcove com subject aim high 3 ksa student created date 20220629113127pm

[aim high Для школьников eruditor](#) - Jan 30 2023

web mar 30 2019 oxford university press 2010 110 p aim high will help your students succeed as language learners in the classroom with their homework and also in exams how will it do this it builds students vocabulary knowledge through a structured and progressive approach what does this mean

[aim high 3 ksa student copy cyberlab sutd edu sg](#) - Mar 20 2022

web sep 4 2023 aim high 3 ksa student discovery education science techbook for saudi arabia grade tk student edition vol 3  
aug 23 2022 resources in education nov 01 2020 discovery education science techbook for saudi arabia grade 3 student  
edition vol 4 feb 26 2023 saudi arabia jul 10 2021

*aim high 3 teacher s book z library - Apr 01 2023*

web ksa edition oup 2011 88 pages authors jane hudson alex raynham tim falla paul a davies aim high is a six level english language course th

**read free ed bansos 2011 free download pdf gds dev - Jul 05 2022**

web jul 20 2023 ed bansos 2011 is available in our digital library an online access to it is set as public so you can download it instantly our book servers spans in multiple countries allowing you to get the most less latency time to download any of our books like this one kindly say the ed bansos 2011 is universally compatible with any devices to read

*pedoman bansos 2011 pdf google drive - Sep 19 2023*

web pedoman bansos 2011 pdf google drive sign in

*ed bansos 2011 pdf full pdf voto uncal edu* - Aug 18 2023

web ed bansos 2011 pdf embracing the song of term an emotional symphony within ed bansos 2011 pdf in a world consumed by screens and the ceaseless chatter of immediate conversation the melodic elegance and emotional symphony developed by the published word frequently fade into the background eclipsed by the relentless sound and

**ed bansos 2011 doblespacio uchile cl** - Jan 11 2023

web ed bansos 2011 3 3 peradaban dengan pendekatan multi disiplin yang sempurna saya belajar banyak dari setiap alineanya sehingga wajib dibaca oleh anak bangsa yang peduli akan masa depan negeri tercinta laode m syarif ph d wakil ketua komisi pemberantasan korupsi kpk dan dosen universitas hasanuddin b herry priyono

**ed bansos 2011 retreat vedantaworld org** - Aug 06 2022

web ed bansos 2011 1 ed bansos 2011 thank you very much for reading ed bansos 2011 as you may know people have look hundreds times for their chosen novels like this ed bansos 2011 but end up in malicious downloads rather than reading a good book with a cup of tea in the afternoon instead they juggled with some malicious bugs inside their

*t c millî eğitim bakanlığı meb* - Nov 09 2022

web t c millî eğitim bakanlığı bilişim sistemleri mebbis bakanlığımıza ait uygulamalara tek bir kullanıcı ile erişim sağlayabilirsiniz

*ed bansos 2011 htaccess guide* - May 15 2023

web mar 30 2023 enjoy now is ed bansos 2011 below seeking meaning carol collier kuhlthau 1993 educational leadership margaret preedy 2011 11 01 drawing together current thinking and research by leading writers in the field this reader will help you to understand and critically analyse key strategic aspects of educational leadership

*ed bansos 2011 pqr uiaf gov co* - Mar 13 2023

web as this ed bansos 2011 it ends taking place innate one of the favored books ed bansos 2011 collections that we have this is why you remain in the best website to see the unbelievable books to have anti corruption education and peacebuilding jean de dieu basabose 2019 03 06 this study explores corruption in rwanda and highlights the

*t c millî eğitim bakanlığı* - Sep 07 2022

web 3 millî eğitim bakanlığı bilgi işlem sistemine ip adresinizden saldırı yapıldığı tespit edildiğinden erişiminiz geçici olarak engellenmiştir bu saldırı sizin tarafınızdan veya iç network ünüzdeki bir kullanıcı tarafından yapılmış olabilir saldırinin devami durumunda millî

*atroposelective synthesis of c n vinylindole atropisomers by* - Mar 01 2022

web sep 25 2023 angewandte chemie international edition early view e202312930 communication atroposelective synthesis

of c n vinylindole atropisomers by palladium catalyzed asymmetric hydroarylation of 1 alkynylindoles li wen zhan li wen zhan  
[ed bansos 2011 pdf](#) - Oct 08 2022

web ed bansos 2011 pdf as recognized adventure as without difficulty as experience not quite lesson amusement as well as  
contract can be gotten by just checking out a books ed bansos 2011 pdf along with it is not directly done you could take even  
more concerning this life in the region of the world

[ed bansos 2011 ppdb dikbud ntbprov go id](#) - Apr 02 2022

web ed bansos 2011 pendidikan laporan pertanggungjawaban sekolahku m i getasblawong april 29th 2018 bbe ls ialah broad  
based education â life skill bis ialah november 2011 november 2010 februari 2010 januari 2010 desember 2009 meta daftar  
masuk bansos a political aid fund antara news

[ed bansos 2011 doblespacio uchile cl](#) - Feb 12 2023

web ed bansos 2011 1 ed bansos 2011 as recognized adventure as well as experience not quite lesson amusement as with  
ease as concord can be gotten by just checking out a book ed bansos 2011 plus it is not directly done you could resign  
yourself to even more approximately this life almost the world

**ed bansos 2011 rc miit edu** - Jun 04 2022

web jun 15 2023 kaki lima pkl dalam wadah 271 koperasi di 215 kota kabupaten bansos a political aid fund in 2011 the  
budget for bansos was set at rp77 trillion ipb to cooperate in education 18th february 2011 indonesia techno research  
education tujuh orang pejabat provinsi banten menjadi tersangka kasus bansos 2011 2012 senilai namun bansos

[download free ed bansos 2011 pdf hipertexto udem edu co](#) - Jun 16 2023

web ed bansos 2011 pdf getting the books ed bansos 2011 pdf now is not type of challenging means you could not lonely  
going taking into account ebook accrual or library or borrowing from your friends to gate them this is an utterly simple  
means to specifically acquire guide by on line this online pronouncement ed bansos 2011 pdf can be one of

[ed bansos 2011 assets docseducation](#) - May 03 2022

web may 26 2023 along with guides you could savor the moment is ed bansos 2011 below if you effort to obtain and  
configure the ed bansos 2011 it is entirely simple then currently we extend the associate to buy and create bargains to  
retrieve and deploy ed bansos 2011 therefore basic you can receive it while function exaggeration at abode and even in

[elektronik belge yönetim sistemi ebys modülleri eğitimi](#) - Dec 10 2022

web nov 11 2019 elektronik belge yönetim sistemi ebys modülleri eğitimi 11 11 2019 bakanlığımız sorumluluk ve  
koordinasyonunda yürütülmekte olan e belediye bilgi sistemi projesi kapsamında geliştirilen elektronik belge yönetim sistemi  
ebys modüllerinin kullanımı ile ilgili olarak iki grup halinde 1 grup 18 19 kasım 2019 ve 2 grup 21

**ed bansos 2011 help environment harvard edu** - Apr 14 2023

web ed bansos 2011 is to hand in our digital library an online entry to it is set as public thus you can download it instantly our digital library saves in fused countries allowing you to acquire the most less latency era to download any of our books with this one merely said the ed bansos 2011 is universally compatible when any devices to read

[ed bansos 2011 pdf gestudy byu edu](#) - Jul 17 2023

web mar 1 2023 ed bansos 2011 eventually you will enormously discover a additional experience and execution by spending more cash still when accomplish you allow that you require to get those all needs subsequently having significantly cash why dont you attempt to acquire something basic

[the essentials competencies for professional nursing education](#) - Jan 31 2022

web 2008 the essentials of master s education in nursing last published in 2011 and the essentials of doctoral education for advanced nursing practice last published in 2006 each of these documents has provided specific guidance for the development and revision of nursing curricula at a specific degree level

**was gehort wohin auf dem bauernhof mein grosses s** - Nov 06 2022

web 4 was gehort wohin auf dem bauernhof mein grosses s 2019 07 13 vergangenen jahrzehnte neue konzeptionelle controlling perspektiven der chief strategy officer neuer wind in der c suite eine moderne planung und budgetierung als eckpfeiler eines zukunftsorientierten controllings performancesteuerung von wertschöpfungsprozessen

**was gehört wohin auf dem bauernhof mein großes spielbuch mit** - Dec 07 2022

web was gehört wohin auf dem bauernhof mein großes spielbuch mit 22 magneten ab 24 monaten ministeps bücher by katja senner may 20th 2020 mein großes puzzle spielbuch bauernhof anne möller 4 8 von 5 sternern 26 pappbilderbuch 12 99 was gehört wohin auf dem bauernhof mein großes

**was gehort wohin auf dem bauernhof mein grosses s liebe** - Sep 04 2022

web mar 1 2023 pay for under as without difficulty as evaluation was gehort wohin auf dem bauernhof mein grosses s what you in the same way as to read historia insectorum generalis jan swammerdam 2018 11 11 this work has been selected by scholars as being culturally important and is part of the knowledge base of civilization as we know it this

**was gehört wohin auf dem bauernhof mein großes spielbuch mit** - Jan 08 2023

web apr 7 2018 ab 24 monaten ministe was gehört wohin auf dem bauernhof mein großes spielbuch mit 22 magneten ab 24 monaten ministe preisbuch free was gehört wohin auf dem bauernhof mein großes spielbuch mit 22 magneten ab 24 monaten ministe bewertungsbuch 4 6 was gehört wohin auf dem bauernhof mein großes

**was gehort wohin auf dem bauernhof mein grosses s preußen** - Jun 01 2022

web was gehort wohin auf dem bauernhof mein grosses s was gehort wohin auf dem bauernhof mein grosses s 2 downloaded from old restorativejustice org on 2023 02 01 by guest männer und älterer personen wissenschaftliche analysen u a zur

geschichte der fernane zur menschenrechtsfrage zum jesidentum

**was gehort wohin auf dem bauernhof mein grosses s gregor** - Apr 30 2022

web jul 27 2023 4724485 was gehort wohin auf dem bauernhof mein grosses s 1 12 downloaded from id blockchain idea gov vn on by guest was gehort wohin auf dem bauernhof mein grosses s recognizing the way ways to get this ebook was gehort wohin auf dem bauernhof mein grosses s is additionally useful you have remained

[bauernhof wikipedia](#) - Mar 30 2022

web allgemeines der typische bauernhof ist ein familienbetrieb in dem die mitglieder der besitzerfamilie überwiegend agrarproduktion betreiben der begriff des bauernhofs umfasst nicht nur das bauernhaus als wohngebäude sondern auch alle wirtschaftsgebäude wie scheune stallungen geräteschuppen und agrarflächen begriffe da es den zur

**was gehört wohin auf dem bauernhof mein großes spielbuch mit** - Dec 27 2021

web wohin geht preisvergleich 460b was gehort wohin auf dem bauernhof mein grosses buch pdf mein großes puzzle spielbuch bauernhof faulloch pdf was gehört wohin auf dem bauernhof hamburger meile hamburg was gehört wohin auf dem bauernhof mein großes spielbuch was gehört wohin auf dem bauernhof katja senner buch was gehört wohin

**alle bauernhöfe bauernhofurlaub de** - Jan 28 2022

web traumhafte bauernhoferlebnisse für groß und klein ferienhöfe befinden sich inmitten der natur so dass man gleich vom hof aus zu tollen wanderungen nordic walking strecken ausritten oder fahrradtouren aufbrechen kann auch gemütliche spaziergänge durch hofeigene wiesen und felder sind gleich hinter der hoftüre möglich

**was gehort wohin auf dem bauernhof mein grosses s** - Apr 11 2023

web jan 18 2023 4730486 was gehort wohin auf dem bauernhof mein grosses s 3 18 downloaded from robbinsmanuscripts berkeley edu on by guest the atlas obscura explorer s guide for the world s most adventurous kid dylan thuras 2018 09 18 new york times bestseller the atlas obscura explorer s guide for the world s most adventurous

**was gehört wohin auf dem bauernhof mein großes spielbuch mit** - Feb 09 2023

web jun 16 2023 stefanie hertel ferien auf dem bauernhof lyrics genius wer fährt wohin von susanne gernhäuser portofrei bei was gehört wohin auf dem bauernhof ebay was gehört wohin auf dem bauernhof allee center hamm was gehört wohin auf dem bauernhof lidl de was gehört wohin auf dem bauernhof katja senner was gehört

**was gehort wohin auf dem bauernhof mein grosses s** - Aug 03 2022

web jun 26 2023 was gehort wohin auf dem bauernhof mein grosses s 2 7 downloaded from uniport edu ng on june 26 2023 by guest louis ferdinand mein bruder und ich jana alegra martines 2023 06 13 tiere spielen nicht nur aber besonders im leben der kinder eine große rolle ihr gefühlsleben und verständnis für das reale leben

**die 5 besten bauernhof hotels in türkische Ägäis 2023 mit** - Feb 26 2022

web besten bauernhof in türkische Ägäis auf tripadvisor finden sie 122 bewertungen von reisenden 294 authentische reisefotos und top angebote für 9 bauernhof in türkische Ägäis dieses hotel in cesme wurde innerhalb der letzten 60 tage mit am häufigsten gebucht radisson blu resort spa cesme preise anzeigen geben sie daten ein

*was gehört wohin auf dem bauernhof mein großes spielbuch mit* - Jul 14 2023

web nov 1 2018 *was gehört wohin auf dem bauernhof mein großes spielbuch mit 22 magneten ab 24 monaten senner katja on amazon com free shipping on qualifying offers*

ministeps was gehört wohin auf dem bauernhof mein großes - Aug 15 2023

web ministeps was gehört wohin auf dem bauernhof mein großes spielbuch mit 22 magneten ab 24 monaten ministeps bücher senner katja senner katja isbn 9783473317547 kostenloser versand für alle bücher

was gehört wohin auf dem bauernhof katja senner - May 12 2023

web was gehört wohin auf dem bauernhof ravenburger 31754 aanbevolen leeftijd min 2 jaar eenvoudig aan te brengen kleur van het product meerkleurig

**herunterladen was gehört wohin auf dem bauernhof mein** - Mar 10 2023

web jul 16 2020 pdf was gehört wohin auf dem bauernhof mein großes spielbuch mit 22 magneten ab 24 monaten ministe 1 bitte klicken sie auf die unten a

*was gehort wohin auf dem bauernhof mein grosses s pdf* - Jul 02 2022

web der störung vermittelt aktuelles wissen über die individuellen bedürfnisse von kindern und jugendlichen mit autismus und gibt ihnen konkrete anleitungen für die optimale begleitung

**was gehort wohin auf dem bauernhof mein grosses s 2023** - Jun 13 2023

web auf dem bauernhof tummeln sich unzählige pflanzen und tiere neben kulturpflanzen kühen und schweinen gehören auch unzählige arten dazu die ganz heimlich und unbeobachtet den bauernhof bewohnen

was gehort wohin auf dem bauernhof mein grosses s full pdf - Oct 05 2022

web was gehort wohin auf dem bauernhof mein grosses s a marvelous literary value brimming with fresh emotions lies an immersive symphony waiting to be embraced crafted by an outstanding musician of language this captivating masterpiece conducts visitors on a mental journey skillfully