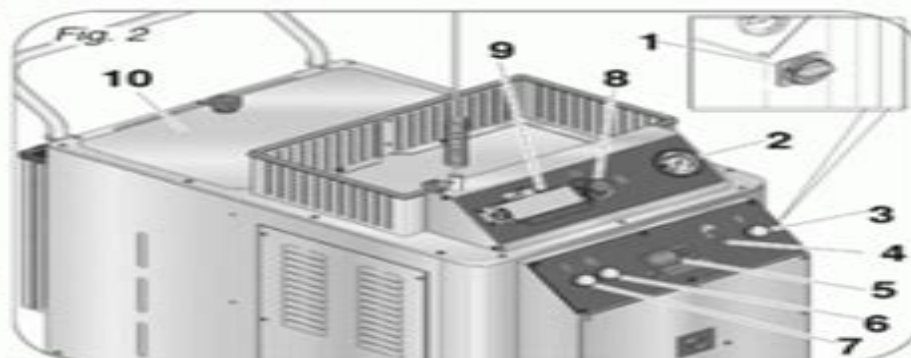




4. PREPARATION & USE

CONTROLS & MAIN PARTS

1. General Switch
2. Pressure Guage
3. General Switch Signal Lamp
4. No-water Signal Lamp and Water-filling Signal Lamp
5. Temperature Indicator / Thermoregulator
6. Vapor Delivery Control Switch
7. General Switch for Pump-heater feeding
8. Vapor Delivery Regulator
9. Flexible Hose Socket
10. Water and Detergent Compartment



PREPARATION

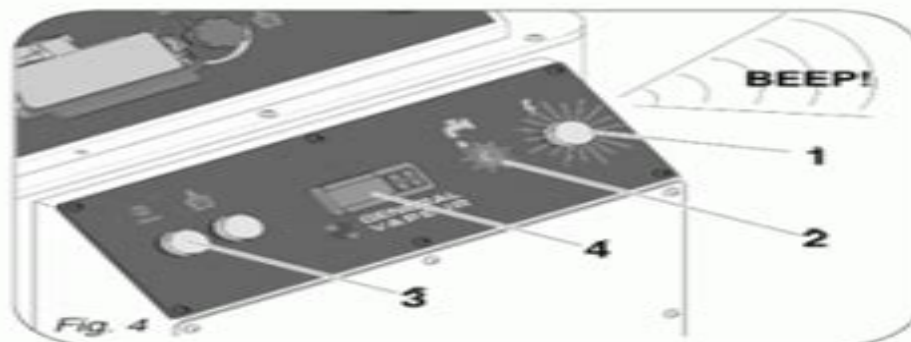
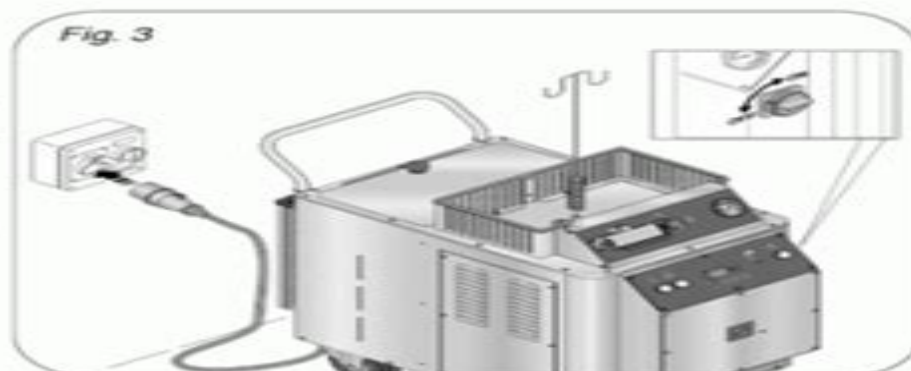
Plug machine into appropriate electrical socket. It requires a **THREE-PHASE 440V-50HZ** connection (Fig. 3).

NOTE: Manufacturer not liable for any damage caused by operation with voltage values not compliant with those indicated.

Turn on machine by turning the general switch, located on the side of the control panel (Fig.3) to the "On" position. The signal lamp (1-Fig. 4) on the control panel indicates that machine is feeding correctly.

Low water level in the tank is indicated by the no-water signal lamp (2-Fig. 4) and an acoustic sound signal.

With machine is "On", pump-heater feeding (3-Fig 4) begins: the temperature display (4-Fig. 4) will blink for 4-5-seconds. When it turns solid, it indicates the internal boiler temperature is set. The signal lamp (2-Fig. 4) will turn on for approx. 2 seconds and then turns off.



T Tech User Manual

BM King



T Tech User Manual:

The Top Books of the Year T Tech User Manual The year 2023 has witnessed a remarkable surge in literary brilliance, with numerous compelling novels captivating the hearts of readers worldwide. Lets delve into the realm of top-selling books, exploring the fascinating narratives that have captivated audiences this year. The Must-Read : Colleen Hoovers "It Ends with Us" This touching tale of love, loss, and resilience has captivated readers with its raw and emotional exploration of domestic abuse. Hoover masterfully weaves a story of hope and healing, reminding us that even in the darkest of times, the human spirit can succeed. Uncover the Best : Taylor Jenkins Reids "The Seven Husbands of Evelyn Hugo" This intriguing historical fiction novel unravels the life of Evelyn Hugo, a Hollywood icon who defies expectations and societal norms to pursue her dreams. Reids captivating storytelling and compelling characters transport readers to a bygone era, immersing them in a world of glamour, ambition, and self-discovery. Discover the Magic : Delia Owens "Where the Crawdads Sing" This captivating coming-of-age story follows Kya Clark, a young woman who grows up alone in the marshes of North Carolina. Owens weaves a tale of resilience, survival, and the transformative power of nature, captivating readers with its evocative prose and mesmerizing setting. These popular novels represent just a fraction of the literary treasures that have emerged in 2023. Whether you seek tales of romance, adventure, or personal growth, the world of literature offers an abundance of engaging stories waiting to be discovered. The novel begins with Richard Papen, a bright but troubled young man, arriving at Hampden College. Richard is immediately drawn to the group of students who call themselves the Classics Club. The club is led by Henry Winter, a brilliant and charismatic young man. Henry is obsessed with Greek mythology and philosophy, and he quickly draws Richard into his world. The other members of the Classics Club are equally as fascinating. Bunny Corcoran is a wealthy and spoiled young man who is always looking for a good time. Charles Tavis is a quiet and reserved young man who is deeply in love with Henry. Camilla Macaulay is a beautiful and intelligent young woman who is drawn to the power and danger of the Classics Club. The students are all deeply in love with Morrow, and they are willing to do anything to please him. Morrow is a complex and mysterious figure, and he seems to be manipulating the students for his own purposes. As the students become more involved with Morrow, they begin to commit increasingly dangerous acts. The Secret History is a exceptional and thrilling novel that will keep you guessing until the very end. The novel is a cautionary tale about the dangers of obsession and the power of evil.

<https://letsgetcooking.org.uk/data/book-search/index.jsp/teacher%20sanjuan%20edu%20ap%20chemistry%20practice%20exam.pdf>

Table of Contents T Tech User Manual

1. Understanding the eBook T Tech User Manual
 - The Rise of Digital Reading T Tech User Manual
 - Advantages of eBooks Over Traditional Books
2. Identifying T Tech User Manual
 - Exploring Different Genres
 - Considering Fiction vs. Non-Fiction
 - Determining Your Reading Goals
3. Choosing the Right eBook Platform
 - Popular eBook Platforms
 - Features to Look for in an T Tech User Manual
 - User-Friendly Interface
4. Exploring eBook Recommendations from T Tech User Manual
 - Personalized Recommendations
 - T Tech User Manual User Reviews and Ratings
 - T Tech User Manual and Bestseller Lists
5. Accessing T Tech User Manual Free and Paid eBooks
 - T Tech User Manual Public Domain eBooks
 - T Tech User Manual eBook Subscription Services
 - T Tech User Manual Budget-Friendly Options
6. Navigating T Tech User Manual eBook Formats
 - ePub, PDF, MOBI, and More
 - T Tech User Manual Compatibility with Devices
 - T Tech User Manual Enhanced eBook Features
7. Enhancing Your Reading Experience
 - Adjustable Fonts and Text Sizes of T Tech User Manual
 - Highlighting and Note-Taking T Tech User Manual
 - Interactive Elements T Tech User Manual
8. Staying Engaged with T Tech User Manual

- Joining Online Reading Communities
 - Participating in Virtual Book Clubs
 - Following Authors and Publishers T Tech User Manual
9. Balancing eBooks and Physical Books T Tech User Manual
- Benefits of a Digital Library
 - Creating a Diverse Reading Collection T Tech User Manual
10. Overcoming Reading Challenges
- Dealing with Digital Eye Strain
 - Minimizing Distractions
 - Managing Screen Time
11. Cultivating a Reading Routine T Tech User Manual
- Setting Reading Goals T Tech User Manual
 - Carving Out Dedicated Reading Time
12. Sourcing Reliable Information of T Tech User Manual
- Fact-Checking eBook Content of T Tech User Manual
 - Distinguishing Credible Sources
13. Promoting Lifelong Learning
- Utilizing eBooks for Skill Development
 - Exploring Educational eBooks
14. Embracing eBook Trends
- Integration of Multimedia Elements
 - Interactive and Gamified eBooks

T Tech User Manual Introduction

In the digital age, access to information has become easier than ever before. The ability to download T Tech User Manual has revolutionized the way we consume written content. Whether you are a student looking for course material, an avid reader searching for your next favorite book, or a professional seeking research papers, the option to download T Tech User Manual has opened up a world of possibilities. Downloading T Tech User Manual provides numerous advantages over physical copies of books and documents. Firstly, it is incredibly convenient. Gone are the days of carrying around heavy textbooks or bulky folders filled with papers. With the click of a button, you can gain immediate access to valuable resources on any device. This

convenience allows for efficient studying, researching, and reading on the go. Moreover, the cost-effective nature of downloading T Tech User Manual has democratized knowledge. Traditional books and academic journals can be expensive, making it difficult for individuals with limited financial resources to access information. By offering free PDF downloads, publishers and authors are enabling a wider audience to benefit from their work. This inclusivity promotes equal opportunities for learning and personal growth. There are numerous websites and platforms where individuals can download T Tech User Manual. These websites range from academic databases offering research papers and journals to online libraries with an expansive collection of books from various genres. Many authors and publishers also upload their work to specific websites, granting readers access to their content without any charge. These platforms not only provide access to existing literature but also serve as an excellent platform for undiscovered authors to share their work with the world. However, it is essential to be cautious while downloading T Tech User Manual. Some websites may offer pirated or illegally obtained copies of copyrighted material. Engaging in such activities not only violates copyright laws but also undermines the efforts of authors, publishers, and researchers. To ensure ethical downloading, it is advisable to utilize reputable websites that prioritize the legal distribution of content. When downloading T Tech User Manual, users should also consider the potential security risks associated with online platforms. Malicious actors may exploit vulnerabilities in unprotected websites to distribute malware or steal personal information. To protect themselves, individuals should ensure their devices have reliable antivirus software installed and validate the legitimacy of the websites they are downloading from. In conclusion, the ability to download T Tech User Manual has transformed the way we access information. With the convenience, cost-effectiveness, and accessibility it offers, free PDF downloads have become a popular choice for students, researchers, and book lovers worldwide. However, it is crucial to engage in ethical downloading practices and prioritize personal security when utilizing online platforms. By doing so, individuals can make the most of the vast array of free PDF resources available and embark on a journey of continuous learning and intellectual growth.

FAQs About T Tech User Manual Books

How do I know which eBook platform is the best for me? Finding the best eBook platform depends on your reading preferences and device compatibility. Research different platforms, read user reviews, and explore their features before making a choice. Are free eBooks of good quality? Yes, many reputable platforms offer high-quality free eBooks, including classics and public domain works. However, make sure to verify the source to ensure the eBook credibility. Can I read eBooks without an eReader? Absolutely! Most eBook platforms offer web-based readers or mobile apps that allow you to read eBooks on your computer, tablet, or smartphone. How do I avoid digital eye strain while reading eBooks? To prevent digital

eye strain, take regular breaks, adjust the font size and background color, and ensure proper lighting while reading eBooks. What the advantage of interactive eBooks? Interactive eBooks incorporate multimedia elements, quizzes, and activities, enhancing the reader engagement and providing a more immersive learning experience. T Tech User Manual is one of the best book in our library for free trial. We provide copy of T Tech User Manual in digital format, so the resources that you find are reliable. There are also many Ebooks of related with T Tech User Manual. Where to download T Tech User Manual online for free? Are you looking for T Tech User Manual PDF? This is definitely going to save you time and cash in something you should think about.

Find T Tech User Manual :

teacher sanjuan edu ap chemistry practice exam

tcu guide 2012 2013

teacher performance appraisal manual

[tc electronic m350 reverb and effects processor manual](#)

teacher created resources stuart little guide

[teaching high school chemistry guide](#)

[tdk icubic user manual](#)

~~tech data cloud services~~

technical analysis course ppt

tdr125 service manual 1995

td visa credit card comparison

team picture prices

[teaching spalding writing to first grade](#)

tds 210 service manual

tcu admission guide book 2014 2015

T Tech User Manual :

les enfants du temps tome 2 insoumise by marie lergenmüller - May 16 2022

web enfants du temps marie lergenmüller nous entraîne dans une irlande mystérieuse avec un seul mot d ordre plonger au cœur de ce pays et de ses légendes millénaires vous n aurez alors qu une envie prendre le premier avion pour la verte erin

les enfants du temps tome 2 insoumise goodreads - Aug 19 2022

web lorsqu'eva meyer arrive sur l'île d'Émeraude elle est désespérée suite à la trahison de celui qu'elle considérait comme son âme sœur le mystérieux irlandais sean mccarthy elle est loin de se douter que sa quête ne fait que commencer et que l'irlande changera sa

les enfants du temps tome 2 insoumise apple books - Jul 18 2022

web jun 25 2014 irlande tout nous séparait je le savais depuis le début je n'aurais jamais dû lui faire confiance j'aurais préféré ne jamais avoir posé les yeux sur lui s'il avait été mon plus grand bonheur il était également la source

les enfants du temps tome 2 insoumise paperback - Feb 22 2023

web jul 1 2014 dans ce deuxième tome des enfants du temps marie lergemüller nous entraîne dans une irlande mystérieuse avec un seul mot d'ordre plonger au cœur de

insoumise les enfants du temps tome 2 broché fnac - Jul 30 2023

web jun 22 2023 roman young adults fantastique insoumise marie lergemüller auteur les enfants du temps tome 2 paru le 22 juin 2023 roman broché insoumise feuilletter format broché broché 20 90 ebook epub 4 99 résumé

les enfants du temps tome 2 insoumise by amazon ae - Apr 26 2023

web buy les enfants du temps tome 2 insoumise by online on amazon ae at best prices fast and free shipping free returns cash on delivery available on eligible purchase

pdf epub les enfants du temps tome 2 insoumise - Oct 21 2022

web les enfants du temps tome 2 insoumise marie lergemüller téléchargement populaire epub téléchargez l'ebook les enfants du temps tome 2 insoumise marie lergemüller pdf gratuit cliquez sur le bouton télécharger ou lire en ligne les enfants du temps tome 2 insoumise marie lergemüller téléchargement gratuit

2 sınıf türkçe ben ne zaman doğdum ders İşleniş sunusu - Feb 10 2022

web mar 29 2022 2 sınıf türkçe ben ne zaman doğdum ders İşleniş sunusu 2 sınıf türkçe ada yayınları ben ne zaman doğdum ders İşleniş sunusu pdf bölüm 2 sınıf türkçe sunuları gönderen hasanemir tarih 29 mart 2022 boyut 28 332 mb

les enfants du temps tome 2 insoumise marie lergemüller - Sep 19 2022

web les enfants du temps tome 2 grand format insoumise marie lergemüller note moyenne donner le premier avis extrait lorsqu'eva meyer arrive sur l'île d'Émeraude elle est désespérée suite à la trahison de celui qu'elle considérait comme son âme sœur le mystérieux lire la suite 20 90 neuf

les enfants du temps tome 2 insoumise volume 2 french - Jun 16 2022

web les enfants du temps tome 2 insoumise volume 2 french edition lergemüller marie amazon com au books

les enfants du temps tome 2 insoumise french edition - Jan 24 2023

web jul 1 2014 dans ce deuxième tome des enfants du temps marie lergemüller nous entraîne dans une irlande mystérieuse avec un seul mot d ordre plonger au cœur de ce pays et de ses légendes millénaires vous n aurez alors qu une envie prendre le premier avion pour la verte erin

[les enfants du temps tome 2 insoumise babelio](#) - Mar 26 2023

web jul 1 2014 critiques 3 citations extraits de les enfants du temps tome 2 insoumise de marie lergemüller un deuxième tome tous aussi bien que le premier d où ma notation ident

les enfants du temps tome 2 insoumise booknode - May 28 2023

web dans ce deuxième tome des enfants du temps marie lergemüller nous entraîne dans une irlande mystérieuse avec un seul mot d ordre plonger au cœur de ce pays et de ses légendes millénaires vous n aurez alors qu une envie prendre le *les enfants du temps télé 2 semaines* - Jan 12 2022

web 2020 1h52 résumé du programme alors que le japon est régulièrement plongé sous de violentes averses morishima hodaka un lycéen de 16 ans qui navigue sur un paquebot échappe à une trombe d eau grâce à keisuke suga un

les enfants du temps tome 2 insoumise amazon fr - Jun 28 2023

web retrouvez les enfants du temps tome 2 insoumise et des millions de livres en stock sur amazon fr achetez neuf ou d occasion amazon fr les enfants du temps tome 2 insoumise lergemüller marie lergemüller pierre livres

les enfants du temps tome 2 insoumise marie lergemuller - Nov 21 2022

web description les enfants du temps tome 2 insoumise par marie lergemuller aux éditions rebelle editions lorsqu eva meyer arrive sur l île d Émeraude elle est désespérée suite à la trahison de celui qu elle considérait comme

[les enfants du temps tome 2 insoumise amazon com br](#) - Apr 14 2022

web compre online les enfants du temps tome 2 insoumise de lergemüller pierre lergemüller marie na amazon frete grÁtis em milhares de produtos com o amazon prime encontre diversos livros escritos por lergemüller pierre lergemüller marie com

les enfants du temps tome 2 insoumise by marie - Dec 23 2022

web les enfants du temps tome 2 book read reviews from world s largest community for readers irlandetout nous sépareit je le savais depuis le début je

insoumise le tome 2 de la saga les enfants du temps - Aug 31 2023

web insoumise le tome 2 de la saga les enfants du temps des pubs de dublin aux landes brumeuses du connemara des ruines mégalithiques à l erin médiévale une irlande aux légendes oubliées une aventure celtique un périple inoubliable

les enfants du temps tome 2 insoumise by marie lergemüller - Mar 14 2022

web april 20th 2020 la saga les enfants du temps se pose de quatre tomes principaux tome 1 indécise 2013 tome 2 insoumise

2014 tome 3 inprise 2015 tome 4 promise 2016 ainsi que de trois novellas ténébreux consacrée à sean mccarthy 2015 vénéneuse consacrée à meghan o doherty 2015 lunasa final de la saga 2016 en avril 2018 une

[recursos para gestionar la contabilidad de una empresa plan general](#) - Jul 25 2022

web normativa contable plan general de contabilidad plan general de contabilidad pymes pgc general pyme o microempresa normas de registro y valoración contable base de datos de consultas al icac de contabilidad infografías contables

[boe es plan general de contabilidad](#) - Aug 06 2023

web permanentemente actualizado contiene real decreto 1514 2007 de 16 de noviembre por el que se aprueba el plan general de contabilidad se completa con un extenso índice analítico de materias que facilita la

plan general de contabilidad wikipedia la enciclopedia libre - May 03 2023

web el plan general de contabilidad pgc es el texto legal que regula la contabilidad de las empresas en españa el 16 de noviembre de 2007 se aprobaron el real decreto 1514 2007 para adaptarse a la normativa contable europea y elaborar un texto contable flexible y abierto y el real decreto 1515 2007 plan específico para pymes

plan general de contabilidad actualizado año 2021 icac - Jun 04 2023

web plan general de contabilidad actualizado año 2021 fecha de publicación issn materias contabilidad soporte digital páginas 595 descripción Índice enlace descargar pdf

plan general de contabilidad icac gob es - Oct 08 2023

web el sujeto contable que informa como persona jurídica individual en el marco de este plan general de contabilidad lo hará con independencia del grupo de empresas al que pueda pertenecer sin perjuicio de las normas particulares recogidas en la segunda parte de este plan y de los desgloses informativos que deban incorporarse en las cuentas

[plan contable general empresarial pcge mef](#) - Mar 21 2022

web la versión oficial en idioma español además se han eliminado diversas subcuentas de reducida utilidad en un plan contable de carácter general permitiendo la opción de mayor detalle en divisionarias o sub divisionarias a juicio

plan general contable pgc qué es y cómo se estructura - Oct 28 2022

web mar 12 2021 qué es un plan general de contabilidad quién lo elabora objetivo del pgc origen y evolución del pgc cuántas partes tiene un plan general de contabilidad 1 marco conceptual 2 normas de registro y valoración 3 cuentas anuales 4 cuadro de cuentas 5 definiciones y relaciones contables plan general

boe a 2007 19966 real decreto 1515 2007 de 16 de noviembre por el que - Dec 30 2022

web las normas de aplicación de este plan general de contabilidad de pymes se completan con las disposiciones adicionales primera y segunda que desarrollan los criterios que han de seguirse en la utilización del plan general de contabilidad de pymes tanto en caso de abandono de los criterios contables específicos aplicables por las

plan general de contabilidad qué es y estructura del plan - Apr 21 2022

web sep 27 2016 tal y como su propio nombre indica el concepto de plan general de contabilidad hace referencia a la normativa legal vigente sobre la contabilidad que rige las empresas en un mismo país el plan general de contabilidad es un texto exhaustivo en el que se definen el conjunto de normas relacionadas con las operaciones

boe a 2021 1350 real decreto 1 2021 de 12 de enero por el que - Jan 31 2023

web jan 30 2021 el artículo primero modifica el plan general de contabilidad básicamente con el objetivo de introducir los cambios necesarios para adaptar la norma de registro y valoración 9^a instrumentos financieros y la norma de registro y valoración 14^a ingresos por ventas y prestación de servicios a la niif ue 9 y a la niif ue 15 respectivamente

boe a 2007 19884 real decreto 1514 2007 de 16 de noviembre por el que - Sep 07 2023

web hasta que se aprueben las nuevas adaptaciones del plan general de contabilidad a las sociedades concesionarias de autopistas túneles puentes y otras vías de peaje y a las empresas del sector de abastecimiento y saneamiento de aguas se mantienen en vigor los criterios relativos a los gastos financieros diferidos de financiación de

real decreto 1514 2007 de 16 de noviembre por el que se aprueba - Mar 01 2023

web disposición adicional única ajustes derivados de la aplicación del plan general de contabilidad disposición transitoria primera reglas generales para la aplicación del plan general de contabilidad en el primer ejercicio que se inicie a partir de 1 *qué es un plan general de contabilidad y cómo le beneficia a tu* - Aug 26 2022

web un plan general de contabilidad recoge todos los principios básicos que debe seguir la empresa o compañía es una guía práctica que ayuda a mantener un registro contable un mayor control a pesar de que parece sencillo lo mejor es contar con un asesor que pueda guiar en la realización del proceso y asegurar que no se están incumpliendo

plan general de contabilidad pública y normativa relacionada - Feb 17 2022

web oct 2 2023 plan general de contabilidad pública orden eha 1037 2010 de 13 de abril por la que se aprueba el plan general de contabilidad pública tabla de equivalencias entre las cuentas del pgcp 94 y las cuentas del pgcp 10 normativa para la formulación de cuentas anuales consolidadas en el ámbito del sector público

cuadro de cuentas plan general contable - Jul 05 2023

web el cuadro de cuentas del plan general de contabilidad organiza el conjunto de cuentas contables en grupos y subgrupos en función de los hechos económicos y la naturaleza de la información contable que se registrará en cada cuenta de hecho cada grupo o subgrupo actúa consolidando la información contable registrada en las cuentas o

qué es el plan general de contabilidad glosario billin - May 23 2022

web el plan general de contabilidad es un documento que recoge la normativa contable actual y completa que se aplica en toda España ahí se definirán todas las cuentas contables que existen para elaborar la contabilidad de una empresa veamos su

definición formal su estructura y qué empresas podrán sujetarte al plan general

plan general de contabilidad de pequeñas y medianas - Apr 02 2023

web plan general de contabilidad que contengan los criterios de registro valoración y presentación de dichas operaciones con la excepción de los relativos a activos no corrientes y grupos

plan general de contabilidad y normas de consolidación guía de - Nov 28 2022

web junto con el plan general de contabilidad aprobado en 2007 se aprobaron simultáneamente un plan general de contabilidad de pequeñas y medianas empresas pgc de pymes cuya aplicación es opcional para empresas que cumplan determinadas características asimismo el plan general de contabilidad de pymes contiene los

plan contable estructura contenido y ejemplos contabilidae - Jun 23 2022

web plan general de contabilidad y plan general de contabilidad de pequeñas y medianas empresas pymes existen dos planes de contabilidad distintos el general y el de pymes el segundo está pensado para pequeñas de menor tamaño y es más simplificado que el general

plan general de contabilidad expansion com - Sep 26 2022

web el plan general contable pgc aprobado por real decreto 1514 2007 de 16 de noviembre constituye el desarrollo reglamentario en materia de cuentas anuales individuales de la legislación

solution of electronic communication systems by kennedy - Oct 25 2021

answer keys for electronics communication - May 12 2023

web electronic communication system by george kennedy pdf electronic communication system by george kennedy chetan mishra academia edu

answer keys for electronics communication systems by george k - Apr 11 2023

web electronic communication systems by kennedy free ebook download as pdf file pdf or read book online for free all subjects of engineering available in this book

solution of electronic communication systems by kennedy - Jul 02 2022

web solution manual of electronic communication system by kenedy i need soltion manual of electronic communication system by kenedy plz tell me where from i can

solution of electronic communication systems by kennedy - Dec 27 2021

web read just invest little mature to admittance this on line proclamation solution of electronic communication systems by kennedy as without difficulty as evaluation them

bookmark file solution of electronic communication systems by - Nov 25 2021

web solution of electronic communication systems by kennedy is available in our digital library an online access to it is set as public so you can download it instantly our books

[electronic communication systems g kennedy and b davis](#) - Nov 06 2022

web satellite communication fiber optic communication computer communication and wireless communication can be studied this book aims at giving qualitative exposure

[electronic communication systems kennedy google books](#) - Dec 07 2022

web jun 13 2011 kennedy s electronic communication systems is a comprehensive guidebook that covers electronic communication systems in detail and strives to

electronic communication system by george - Aug 03 2022

web download electronic communication system by george kennedy pdf this document was uploaded by user and they confirmed that they have the permission to share it if

answer keys for electronics communication systems by - Jun 01 2022

web solution of electronic communication systems by kennedy solution of electronic communication systems by introduction to communication system basic

solution manual of electronic communication system by kenedy - Mar 30 2022

web jul 31 2023 solution of electronic communication systems by kennedy 1 8 downloaded from uniport edu ng on july 31 2023 by guest solution of electronic

electronic communication systems by kennedy pdf scribd - Jan 08 2023

web feb 7 2020 mcq in electronic communication systems by kennedy chapter 1 mcq in introduction to communications systems chapter 2 mcq in noise chapter 3 mcq

electronic communication system by george - Mar 10 2023

web jul 26 1994 electronic communication systems author kennedy publisher mcgraw hill education india pvt limited 1999 isbn 0074636820 9780074636824 length

solution of electronic communication systems by kennedy j - Jan 28 2022

web we have enough money solution of electronic communication systems by kennedy and numerous books collections from fictions to scientific research in any way in the

kennedy s electronic communication systems sie - Feb 09 2023

web book description title electronic communication systems author g kennedy and b davis

[kennedy s electronic communication systems amazon in](#) - Sep 04 2022

web a fundamental sine wave and an infinite number of harmonics c and harmonic sine waves whose amplitude decreases

with a fundamental uhf communications the harmonic

download electronic communication system by george - Apr 30 2022

web principles of electronic communication systems is an introductory course in communication electronics for students with a background in basic electronics the

solution of electronic communication systems by kennedy - Sep 23 2021

kennedy mcq in electronic communication systems ece - Oct 05 2022

web download free solution of electronic communication systems by kennedy an accessible undergraduate textbook introducing key fundamental principles behind

electronic communication system 4th edition by - Jul 14 2023

web electronic communication system 4th edition by kennedy davis pdf electronic communication system 4th edition by kennedy davis pdf gisha cg i think it will

electronic communication system george kennedy pdf - Aug 15 2023

web electronic communication system george kennedy free pdf download 782 pages year 2016 communication systems read online pdf room

solution of electronic communication systems by kennedy full - Feb 26 2022

web sep 8 2023 of electronic communication systems by kennedy is additionally useful you have remained in right site to start getting this info get the solution of electronic

solution of electronic communication systems by kennedy - Aug 23 2021

electronic communication systems kennedy - Jun 13 2023

web may 9 2019 sonara28 fuchcha faadoo engineer branch aeronautical engineering answer keys for electronics communication systems by george kennedy hi friends i