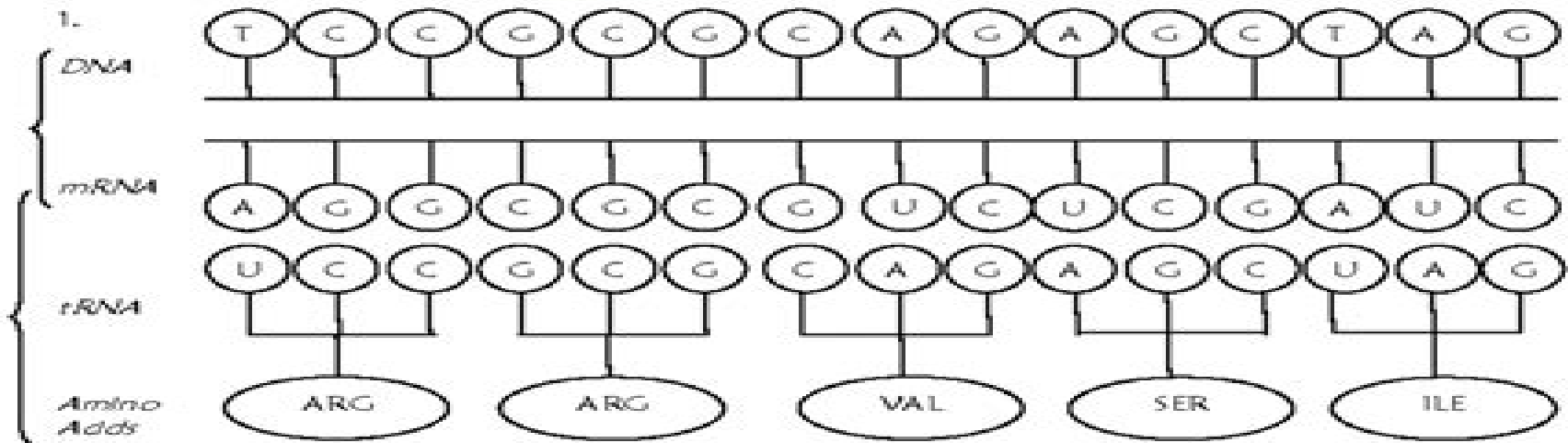


Protein Synthesis Worksheet

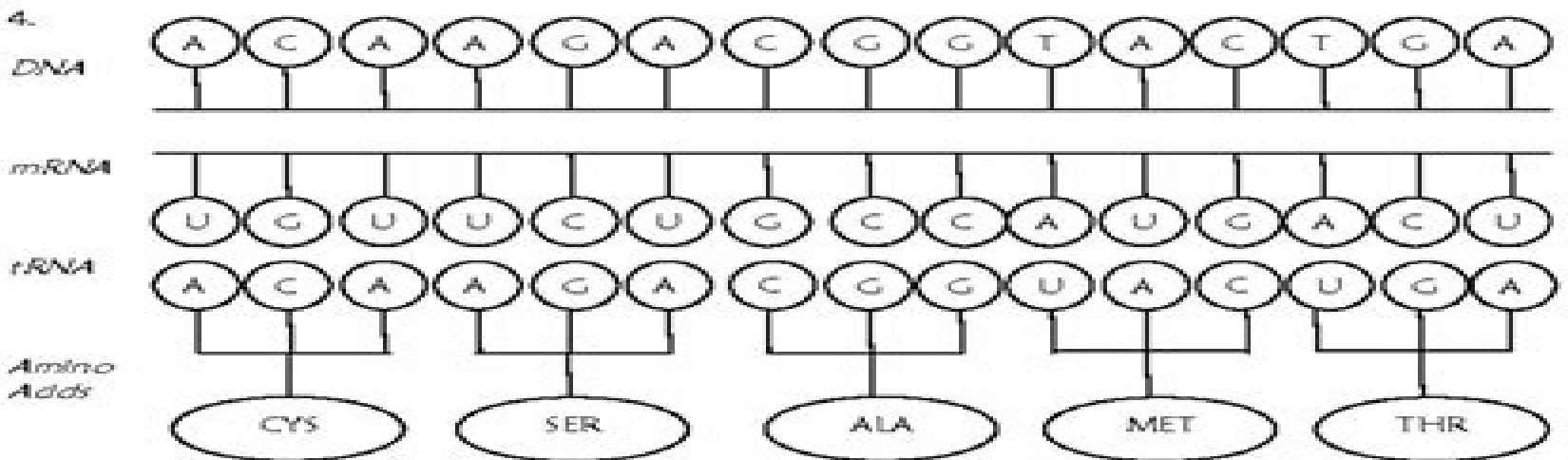
Directions:

1. Use the DNA code to create your mRNA code.
2. Use the mRNA code to create your tRNA code.
3. Use the mRNA code and the Genetic Code to determine your amino acids.
4. Answer any questions by **drding** the correct answer.



2. mRNA is made during (transcription translation).

3. mRNA is made in the (cytoplasm, nucleus).



Protein Synthesis Practice Sheet Answer Key

**Alfred T. Collette, Eugene L.
Chiappetta**

Protein Synthesis Practice Sheet Answer Key:

Getting the books **Protein Synthesis Practice Sheet Answer Key** now is not type of inspiring means. You could not on your own going past books heap or library or borrowing from your contacts to edit them. This is an no question easy means to specifically get guide by on-line. This online notice Protein Synthesis Practice Sheet Answer Key can be one of the options to accompany you subsequent to having other time.

It will not waste your time. assume me, the e-book will enormously heavens you new issue to read. Just invest little grow old to retrieve this on-line publication **Protein Synthesis Practice Sheet Answer Key** as without difficulty as review them wherever you are now.

https://letsgetcooking.org.uk/book/detail/index.jsp/pictures_instructions_for_loom_bands.pdf

Table of Contents Protein Synthesis Practice Sheet Answer Key

1. Understanding the eBook Protein Synthesis Practice Sheet Answer Key
 - The Rise of Digital Reading Protein Synthesis Practice Sheet Answer Key
 - Advantages of eBooks Over Traditional Books
2. Identifying Protein Synthesis Practice Sheet Answer Key
 - Exploring Different Genres
 - Considering Fiction vs. Non-Fiction
 - Determining Your Reading Goals
3. Choosing the Right eBook Platform
 - Popular eBook Platforms
 - Features to Look for in an Protein Synthesis Practice Sheet Answer Key
 - User-Friendly Interface
4. Exploring eBook Recommendations from Protein Synthesis Practice Sheet Answer Key
 - Personalized Recommendations
 - Protein Synthesis Practice Sheet Answer Key User Reviews and Ratings
 - Protein Synthesis Practice Sheet Answer Key and Bestseller Lists

5. Accessing Protein Synthesis Practice Sheet Answer Key Free and Paid eBooks
 - Protein Synthesis Practice Sheet Answer Key Public Domain eBooks
 - Protein Synthesis Practice Sheet Answer Key eBook Subscription Services
 - Protein Synthesis Practice Sheet Answer Key Budget-Friendly Options
6. Navigating Protein Synthesis Practice Sheet Answer Key eBook Formats
 - ePub, PDF, MOBI, and More
 - Protein Synthesis Practice Sheet Answer Key Compatibility with Devices
 - Protein Synthesis Practice Sheet Answer Key Enhanced eBook Features
7. Enhancing Your Reading Experience
 - Adjustable Fonts and Text Sizes of Protein Synthesis Practice Sheet Answer Key
 - Highlighting and Note-Taking Protein Synthesis Practice Sheet Answer Key
 - Interactive Elements Protein Synthesis Practice Sheet Answer Key
8. Staying Engaged with Protein Synthesis Practice Sheet Answer Key
 - Joining Online Reading Communities
 - Participating in Virtual Book Clubs
 - Following Authors and Publishers Protein Synthesis Practice Sheet Answer Key
9. Balancing eBooks and Physical Books Protein Synthesis Practice Sheet Answer Key
 - Benefits of a Digital Library
 - Creating a Diverse Reading Collection Protein Synthesis Practice Sheet Answer Key
10. Overcoming Reading Challenges
 - Dealing with Digital Eye Strain
 - Minimizing Distractions
 - Managing Screen Time
11. Cultivating a Reading Routine Protein Synthesis Practice Sheet Answer Key
 - Setting Reading Goals Protein Synthesis Practice Sheet Answer Key
 - Carving Out Dedicated Reading Time
12. Sourcing Reliable Information of Protein Synthesis Practice Sheet Answer Key
 - Fact-Checking eBook Content of Protein Synthesis Practice Sheet Answer Key
 - Distinguishing Credible Sources
13. Promoting Lifelong Learning

- Utilizing eBooks for Skill Development
 - Exploring Educational eBooks
14. Embracing eBook Trends
- Integration of Multimedia Elements
 - Interactive and Gamified eBooks

Protein Synthesis Practice Sheet Answer Key Introduction

In today's digital age, the availability of Protein Synthesis Practice Sheet Answer Key books and manuals for download has revolutionized the way we access information. Gone are the days of physically flipping through pages and carrying heavy textbooks or manuals. With just a few clicks, we can now access a wealth of knowledge from the comfort of our own homes or on the go. This article will explore the advantages of Protein Synthesis Practice Sheet Answer Key books and manuals for download, along with some popular platforms that offer these resources. One of the significant advantages of Protein Synthesis Practice Sheet Answer Key books and manuals for download is the cost-saving aspect. Traditional books and manuals can be costly, especially if you need to purchase several of them for educational or professional purposes. By accessing Protein Synthesis Practice Sheet Answer Key versions, you eliminate the need to spend money on physical copies. This not only saves you money but also reduces the environmental impact associated with book production and transportation. Furthermore, Protein Synthesis Practice Sheet Answer Key books and manuals for download are incredibly convenient. With just a computer or smartphone and an internet connection, you can access a vast library of resources on any subject imaginable. Whether you're a student looking for textbooks, a professional seeking industry-specific manuals, or someone interested in self-improvement, these digital resources provide an efficient and accessible means of acquiring knowledge. Moreover, PDF books and manuals offer a range of benefits compared to other digital formats. PDF files are designed to retain their formatting regardless of the device used to open them. This ensures that the content appears exactly as intended by the author, with no loss of formatting or missing graphics. Additionally, PDF files can be easily annotated, bookmarked, and searched for specific terms, making them highly practical for studying or referencing. When it comes to accessing Protein Synthesis Practice Sheet Answer Key books and manuals, several platforms offer an extensive collection of resources. One such platform is Project Gutenberg, a nonprofit organization that provides over 60,000 free eBooks. These books are primarily in the public domain, meaning they can be freely distributed and downloaded. Project Gutenberg offers a wide range of classic literature, making it an excellent resource for literature enthusiasts. Another popular platform for Protein Synthesis Practice Sheet Answer Key books and manuals is Open Library. Open Library is an initiative of the Internet Archive, a non-profit organization dedicated to digitizing cultural artifacts and making them accessible to the public. Open

Library hosts millions of books, including both public domain works and contemporary titles. It also allows users to borrow digital copies of certain books for a limited period, similar to a library lending system. Additionally, many universities and educational institutions have their own digital libraries that provide free access to PDF books and manuals. These libraries often offer academic texts, research papers, and technical manuals, making them invaluable resources for students and researchers. Some notable examples include MIT OpenCourseWare, which offers free access to course materials from the Massachusetts Institute of Technology, and the Digital Public Library of America, which provides a vast collection of digitized books and historical documents. In conclusion, Protein Synthesis Practice Sheet Answer Key books and manuals for download have transformed the way we access information. They provide a cost-effective and convenient means of acquiring knowledge, offering the ability to access a vast library of resources at our fingertips. With platforms like Project Gutenberg, Open Library, and various digital libraries offered by educational institutions, we have access to an ever-expanding collection of books and manuals. Whether for educational, professional, or personal purposes, these digital resources serve as valuable tools for continuous learning and self-improvement. So why not take advantage of the vast world of Protein Synthesis Practice Sheet Answer Key books and manuals for download and embark on your journey of knowledge?

FAQs About Protein Synthesis Practice Sheet Answer Key Books

What is a Protein Synthesis Practice Sheet Answer Key PDF? A PDF (Portable Document Format) is a file format developed by Adobe that preserves the layout and formatting of a document, regardless of the software, hardware, or operating system used to view or print it. **How do I create a Protein Synthesis Practice Sheet Answer Key PDF?** There are several ways to create a PDF: Use software like Adobe Acrobat, Microsoft Word, or Google Docs, which often have built-in PDF creation tools. Print to PDF: Many applications and operating systems have a "Print to PDF" option that allows you to save a document as a PDF file instead of printing it on paper. Online converters: There are various online tools that can convert different file types to PDF. **How do I edit a Protein Synthesis Practice Sheet Answer Key PDF?** Editing a PDF can be done with software like Adobe Acrobat, which allows direct editing of text, images, and other elements within the PDF. Some free tools, like PDFescape or Smallpdf, also offer basic editing capabilities. **How do I convert a Protein Synthesis Practice Sheet Answer Key PDF to another file format?** There are multiple ways to convert a PDF to another format: Use online converters like Smallpdf, Zamzar, or Adobe Acrobats export feature to convert PDFs to formats like Word, Excel, JPEG, etc. Software like Adobe Acrobat, Microsoft Word, or other PDF editors may have options to export or save PDFs in different formats. **How do I password-protect a Protein Synthesis Practice Sheet Answer Key PDF?** Most PDF editing software allows you to add password protection. In Adobe Acrobat, for instance, you can go to "File" -> "Properties"

-> "Security" to set a password to restrict access or editing capabilities. Are there any free alternatives to Adobe Acrobat for working with PDFs? Yes, there are many free alternatives for working with PDFs, such as: LibreOffice: Offers PDF editing features. PDFsam: Allows splitting, merging, and editing PDFs. Foxit Reader: Provides basic PDF viewing and editing capabilities. How do I compress a PDF file? You can use online tools like Smallpdf, ILovePDF, or desktop software like Adobe Acrobat to compress PDF files without significant quality loss. Compression reduces the file size, making it easier to share and download. Can I fill out forms in a PDF file? Yes, most PDF viewers/editors like Adobe Acrobat, Preview (on Mac), or various online tools allow you to fill out forms in PDF files by selecting text fields and entering information. Are there any restrictions when working with PDFs? Some PDFs might have restrictions set by their creator, such as password protection, editing restrictions, or print restrictions. Breaking these restrictions might require specific software or tools, which may or may not be legal depending on the circumstances and local laws.

Find Protein Synthesis Practice Sheet Answer Key :

pictures instructions for loom bands

pionniers de la chirurgie maxillofaciale

pioneer wiring harness orange wire

piper bonanza maintenance manual

pikmin 2 players guide

pirate sword cut out

piping handbook 6th edition

piliers du musulman sincegravere les

pilot manual citation

pilotez vos projet en entreprise

pioneer avic f9220bt bypass gu ide tradebit

pip guide nikon d300

pioneer avh p4000dvd manual de instalacion

picu cardiac guide book

piece of string scholastic quiz answer sheet

Protein Synthesis Practice Sheet Answer Key :

biol 2401 sac human anatomy and physiology i studocu - Sep 21 2022

web biol 2401 sac human anatomy and physiology i studocu human anatomy and physiology i biol 2401 university san antonio college human anatomy and physiology i follow this course documents 40 questions 1 students 65 lecture notes date year ratings practice materials date rating year ratings coursework date rating

biol 2401 human anatomy and physiology i north central texas college - May 30 2023

web may 16 2022 biol 2401 0344 anatomy and physiology i is the first part of a two course sequence it is a study of the structure and function of the human body including cells tissues and organs of the following systems integumentary skeletal muscular nervous and special senses

biol 2401 human anatomy physiology i southplainscollege edu - Mar 28 2023

web biol 2401 human anatomy physiology i ms letitia simpson section 010 t r f2f lecture and f2f lab table of contents topic page s human anatomy physiology biology fall 2023 i 2401 professor ms letitia simpson office s 148 phone 716 2155 email lsimpson southplainscollege edu office hours

biology 2401 chapter 1 the human body flashcards quizlet - Aug 01 2023

web anatomy the structure of body parts and their relationship to one another physiology the function of the body parts over 90 of internal and external structure of the human body are present in any human body gross anatomy macroscopic the study of large body structures visible to the naked eye heart lungs and kidneys

biology 2401 lab powerpoints lone star college - Jan 26 2023

web lone star college system office 5000 research forest drive the woodlands texas 77381 832 813 6500

solved biol 2401 exam 2 review human anatomy and physiology 1 biol - Feb 24 2023

web answer 8 days ago sure i d be happy to help you review for your biol 2401 exam 2 while i don t have the specifics of your course i can provide a general review based on common topics covered in a second exam of a typical introductory biology course

biol 2401 lsc human anatomy and physiology 1 studocu - Oct 03 2023

web studying biol 2401 human anatomy and physiology 1 at lone star college system on studocu you will find 137 lecture notes 47 practice materials 26 assignments and

biol 2401 anatomy physiology 1 flashcards quizlet - Jun 30 2023

web created by final exam study cards terms in this set 133 muscular skeletal system support and movement nervous and endocrine integration and coordination integumentary system body covering digestive respiratory urinary absorption and excretion cardiovascular and lymphatic transport reproductive reproduction body cavities labeled

[biol 2401 human anatomy and physiology i](#) - Mar 16 2022

web biol 2301 course description anatomy and physiology i is the first part of a two course sequence it is a study of the structure and function of the human body including cells tissues and organs of the following systems integumentary skeletal muscular nervous and special senses

[biol 2401 and 2402 human anatomy and physiology i ii biology](#) - Sep 02 2023

web oct 25 2023 biol 2401 and 2402 course info a study of the structure and function of the human body emphasis will be given to the study of cells and tissues and anatomical and physiological interrelationships of the integumentary skeletal muscular and nervous systems designed primarily for students entering health careers

[biol 2401 0391 human anatomy and physiology i](#) - Feb 12 2022

web jun 6 2022 course title anatomy physiology i course prefix number and section number biol 2401 section 391 semester year of course summer i 2022 5 weeks semester start and end dates june 6 2022 july 7 2022 modality face to face synchronous or asynchronous online hybrid hybrid

[biol 2401 human anatomy and physiology i course hero](#) - Oct 23 2022

web access study documents get answers to your study questions and connect with real tutors for biol 2401 human anatomy and physiology i at lone star college system woodlands

[biol 2401 human anatomy and physiology i acalog acms](#) - Apr 28 2023

web oct 14 2023 biol 2401 human anatomy and physiology i writing basic skills prerequisite engl 0301 reading basic skills prerequisite read 0303 math basic skills prerequisite math 0301 recommendation students should take chem 1405 prior to enrollment in this class students study the structure and function of cells tissues and

[biol 2401 0411 human anatomy and physiology i](#) - May 18 2022

web anatomy and physiology i is the first part of a two course sequence it is a study of the structure and function of the human body including cells tissues and organs of the following systems integumentary skeletal muscular nervous and special senses

[biol 2401 anatomy physiology 1 efc course hero](#) - Jul 20 2022

web access study documents get answers to your study questions and connect with real tutors for biol 2401 anatomy physiology 1 at eastfield college

biology 241 anatomy physiology exam 1 flashcards quizlet - Dec 25 2022

web terms in this set 71 anatomy the study of the structure of an organism physiology the study of the function of an organism levels of structural organization chemical cellular tissue organ organ system organismal negative feedback negates the original stimulus

exam 1 study guide biol 2401 anatomy and physiology i - Nov 23 2022

web biol 2401 anatomy and physiology i learning outcomes for unit 1 chapter 1 introduction to human anatomy and physiology learning outcomes i an overview of anatomy and physiology b the interrelationship between anatomy and physiology 1 give examples to show the interrelationship between anatomy and physiology

biol 2401 human anatomy physiology i south plains college - Aug 21 2022

web table of contents page s human anatomy physiology i biology 2401 spring 2022 professor ms letitia simpson office s 148 phone 716 2155 email lsimpson southplainscollege edu office hours m w 9 45 a m 10 45 a m t 10 a m 11 a m 1 30 p m 2 30 p m r 10 a m 11 a m

biol 2401 anatomy and physiology i fall 2023 pvamu edu - Apr 16 2022

web recognize the anatomical structures explain physiological functions and recognize and explain the principle of homeostasis applied to the integumentary nervous endocrine muscular and skeletal systems

biology 2401 anatomy and physiology course work practice - Jun 18 2022

web biology 2401 anatomy and physiology course work practice materials university lone star college system course human anatomy and physiology 1 biol 2401

electrical machines electronic resource mathematical fundamentals - Oct 11 2022

dc machines 11 space vector theory 12 induction machines 13 synchronous machines 14 permanent magnet machines summary electrical machines and drives play a powerful role in industry with an ever increasing importance this fact requires the understanding of machine and drive principles by engineers of many different disciplines

electrical machines springerprofessional de - Sep 10 2022

this book addresses graduate students researchers and developers of electrical machines and drives who are interested in getting knowledge about the principles of machine and drive operation and in detecting the mathematical and engineering specialties of the different machine and drive topologies together with their mutual links

electrical machines mathematical fundamentals of machine - Mar 16 2023

nov 14 2014 this book addresses graduate students researchers and developers of electrical machines and drives who are interested in getting knowledge about the principles of machine and drive operation and in detecting the mathematical and engineering specialties of the different machine and drive topologies together with their mutual links

electrical machines mathematical fundamentals of machine - Jul 08 2022

sep 22 2016 electrical machines mathematical fundamentals of machine topologies by dieter gerling 9783662520321 booktopia books non fiction engineering technology mechanical engineering materials mechanical engineering electrical machines mathematical fundamentals of machine topologies by dieter gerling be the first to write

electrical machines mathematical fundamentals of machine - Aug 21 2023

sep 17 2014 *electrical machines mathematical fundamentals of machine topologies* dieter gerling springer science business media sep 17 2014 technology engineering 472 pages electrical

electrical machines mathematical fundamentals of machine - Nov 12 2022

abstract describing principles from a variety of disciplines this volume provides an overview of electrical machines and drives special attention is given to the necessary formulae to calculate machines and drives as well as simplifications

electrical machines mathematical fundamentals of machine - Jan 14 2023

so the book shows how the different machine topologies can be deduced from general fundamentals and how they are linked this book addresses graduate students researchers and developers of electrical machines and drives who are interested in getting knowledge about the principles of machine and drive operation and in detecting the

electrical machines mathematical fundamentals of machine - May 18 2023

sep 22 2016 *electrical machines mathematical fundamentals of machine topologies mathematical engineering softcover* reprint of the original 1st ed 2015 edition electrical machines and drives play a vital role in industry with an ever increasing importance

electrical machines mathematical fundamentals of machine - Mar 04 2022

electrical machines mathematical fundamentals of machine topologies dieter gerling fakultät elektrotechnik und informationstechnik universität der bundeswehr münchen Neubiberg Germany issn 2192 4732 issn 2192 4740 electronic isbn 978 3 642 17583 1 isbn 978 3 642 17584 8 ebook doi 10 1007 978 3 642 17584 8 springer heidelberg new york

electrical machines mathematical fundamentals of machine - Jun 07 2022

sep 22 2016 *electrical machines mathematical fundamentals of machine topologies 4 mathematical engineering paperback* 22 september 2016 by dieter gerling author 5 0 1 rating see all formats and editions hardcover 4 559 50 1 used from 18 812 00 11 new from 4 559 50 paperback 8 514 00 10 new from 8 071 00 emi starts at 413

electrical machine fundamentals with numerical simulation - Apr 05 2022

apr 30 2021 *electrical machine fundamentals with numerical simulation using matlab simulink* is a well balanced textbook perfect for undergraduate students in all engineering majors additionally its comprehensive treatment of electrical machines makes it suitable as a reference for researchers in the field

fundamentals of electrical machines wiley online library - Dec 13 2022

apr 30 2021 summary the study of the construction of electrical machines along with the principles and laws on which they operate gives the knowledge to predict behaviour and characteristics of the machines this chapter provides some familiarity with the principles and laws that help understand the principle of electric machinery

[electrical machines mathematical fundamentals of machine](#) - Jul 20 2023

1 fundamentals 2 dc machines 3 rotating field theory 4 induction machines 5 synchronous machines 6 permanent magnet machines 7 switched reluctance machines 8 fractional horsepower machines for single phase operation optional part ii dynamic operation 9 fundamentals 10 dc machines 11 space vector theory 12

mathematical engineering electrical machines mathematical fundamentals - Aug 09 2022

mathematical engineering electrical machines mathematical fundamentals of machine topologies joseph mandava calculation and design of electrical machines and drives remain challenging tasks

[electrical machines mathematical fundamentals of machine](#) - Sep 22 2023

this book addresses graduate students researchers and developers of electrical machines and drives who are interested in getting knowledge about the principles of machine and drive operation and in detecting the mathematical and engineering specialties of the different machine and drive topologies together with their mutual links

[electrical machines by dieter gerling ebook ebooks com](#) - May 06 2022

electrical machines and drives play a vital role in industry with an ever increasing importance this fact necessitates the understanding of machine and drive principles by engineers of many different disciplines therefore this book is intended to give a comprehensive deduction of these principles special attention is given to the precise mathematical deduction of the necessary

electrical machines mathematical fundamentals of machine topologies - Feb 03 2022

this electrical machines mathematical fundamentals of machine topologies by dieter gerling book is available in pdf format download free this book learn from this free book and enhance your skills

electrical machines mathematical fundamentals of machine - Feb 15 2023

select search scope currently catalog all catalog articles website more in one search catalog books media more in the stanford libraries collections articles journal articles other e resources

[electrical machines mathematical fundamentals of machine](#) - Apr 17 2023

sep 18 2014 electrical machines mathematical fundamentals of machine topologies semantic scholar corpus id 58234329

electrical machines mathematical fundamentals of machine topologies d gerling published 18 september 2014 mathematics no paper link available save to library create alert cite 34 citations citation type more filters

electrical machines mathematical fundamentals of machine - Jun 19 2023

electrical machines mathematical fundamentals of machine topologies dietergerling electricalmachines

mathematicalfundamentalsofmachine topologies springer contents prefacev contents vii 1 fundamentals 1 1 1 maxwell sequations1

el pedo más grande del mundo español somos8 hardcover - Jul 19 2022

web un concurso de pedos en la jungla donde participarán el elefante el león la cebra el hipopótamo el rinoceronte quién será el ganador die inhaltsangabe kann sich auf eine andere ausgabe dieses titels beziehen

el pedo más grande del mundo rafael ordóñez cuadrado - Jun 17 2022

web sep 12 2017 el pedo más grande del mundo rafael ordóñez cuadrado nubeocho sep 12 2017 juvenile fiction 48 pages 0 reviews reviews aren t verified but google checks for and removes fake

el pedo mas grande del mundo youtube - Apr 15 2022

web about press copyright contact us creators advertise developers terms privacy policy safety how youtube works test new features nfl sunday ticket press copyright

el pedo más grande del mundo español somos8 epub weltbild - Nov 22 2022

web als ebook bei weltbild ch herunterladen bequem mit ihrem tablet oder ebook reader lesen el pedo más grande del mundo español somos8 von rafael ordóñez 20¹ halloween rabatt versand gratis

el pedo más grande del mundo somos8 spanish edition - Jul 31 2023

web el pedo más grande del mundo somos8 spanish edition tapa dura libro de fotos 12 septiembre 2017 edición en español de rafael ordóñez cuadrado author laure du fäy illustrator

el pedo mas grande del mundo youtube - Feb 11 2022

web apr 7 2020 el pedo mas grande del mundo hay muchas cosas que nos provocan una carcajada una de ellas son los pedos y a los niños muchísimo más me atrevería a decir que es un tema que les apasiona y

el pedo más grande del mundo español somos8 tapa dura - Sep 01 2023

web el pedo más grande del mundo español somos8 laure du fäy laure du fäy amazon es libros

el pedo màs grande del mundo target - May 17 2022

web read reviews and buy el pedo màs grande del mundo by rafael ordóñez cuadrado hardcover at target choose from same day delivery drive up or order pickup free standard shipping with 35 orders expect more pay less

el pedo más grande del mundo somos8 spanish edition - Oct 02 2023

web sep 12 2017 el pedo más grande del mundo somos8 spanish edition ordóñez cuadrado rafael du fäy laure on amazon com free shipping on qualifying offers el pedo más grande del mundo somos8 spanish edition

amazon es opiniones de clientes el pedo más grande del mundo - Sep 20 2022

web vea reseñas y calificaciones de reseñas que otros clientes han escrito de el pedo más grande del mundo español somos8 en amazon com lea reseñas de productos sinceras e imparciales de nuestros usuarios

el pedo más grande del mundo español somos8 laure du - May 29 2023

web el pedo más grande del mundo español somos8 laure du faÿ laure du faÿ amazon es libros

el pedo más grande del mundo somos8 gebundene ausgabe amazon de - Dec 24 2022

web el pedo más grande del mundo somos8 ordóñez cuadrado rafael du fäy laure isbn 9788494597152 kostenloser versand für alle bücher mit versand und verkauf duch amazon

el pedo más grande del mundo somos8 hardcover abebooks - Feb 23 2023

web el pedo más grande del mundo somos8 by ordóñez cuadrado rafael at abebooks co uk isbn 10 8494597159 isbn 13 9788494597152 nubeocho 2017 hardcover

el pedo más grande del mundo 5 de descuento fnac - Apr 27 2023

web may 15 2017 la divertida historia de un concurso muy especial en el medio de la jungla risas y diversión con simpáticos y traviosos animales el mono fue el que tuvo la idea de este gran concurso un concurso de pedos en la jungla donde participarán el elefante el león la cebra el hipopótamo el rinoceronte quién será el ganador

el pedo más grande del mundo somos8 hardcover - Jan 25 2023

web el pedo más grande del mundo somos8 ordóñez cuadrado rafael du fäy laure amazon co uk books

español somos8 el pedo más grande del mundo bol com - Aug 20 2022

web español somos8 el pedo más grande del mundo auteur rafael ordonez schrijf een review vergelijk met andere artikelen spaans e book 9788410074125 06 november 2023 alle productspecificaties

el pedo más grande del mundo youtube - Mar 15 2022

web el pedo mas grande del mundo

9788494597152 el pedo más grande del mundo somos8 by - Mar 27 2023

web el pedo ms grande del mundo somos8 by rafael ordonez cuadrado and a great selection of related books art and collectibles available now at abebooks co uk 9788494597152 el pedo más grande del mundo somos8 by ordóñez cuadrado rafael

el pedo mÁs grande del mundo laure du fay casa del - Oct 22 2022

web sinopsis de el pedo mÁs grande del mundo la divertida historia de un concurso muy especial en el medio de la jungla risas y diversión con simpáticos y traviosos animales el mono fue el que tuvo la idea de este gran concurso un concurso de pedos en la jungla donde participarán el elefante el león la cebra el hipopótamo el

el pedo mas grande del mundo somos8 spanish ordóñez - Jun 29 2023

web el pedo mas grande del mundo somos8 spanish ordóñez cuadrado rafael amazon com tr kitap