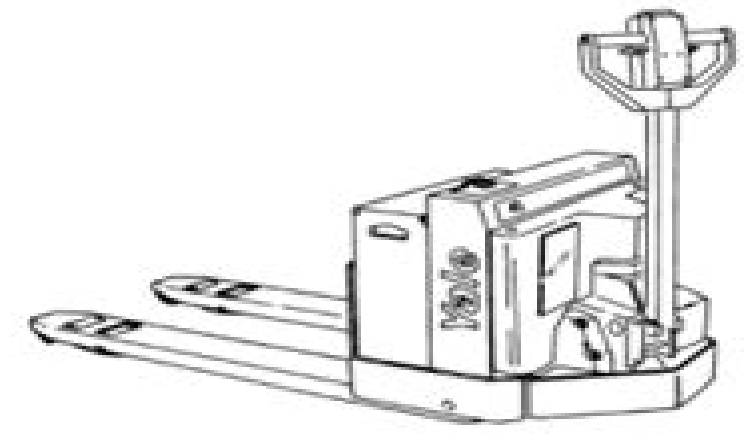


SERVICE MAINTENANCE MANU.

For Model

MPW 045 DA

(A802)



For Service & Parts Contact

Authorized Dealer

Yale Materials Handling Corp.
1400 Sullivan Drive
Cedar No. 12011
Greenville, NC 27834 USA

File specification
© Yale Corp.
January 2001

Suzuki Sy413sy416sy418 Service Manual

Bob Henderson,A. K. Legg



Suzuki Sy413sy416sy418 Service Manual:

Suzuki SJ & Vitara 1982 to 1997 (up to P Registration) 4-cyl Petrol Bob Henderson,A. K. Legg,1994-05-01 SJ410 SJ413 Vitara inc Santana Samurai special limited editions Petrol 1 0 litre 970cc 1 3 litre 1298 1324cc 1 6 litre 1590cc 4 cyl Does NOT cover V6 engines Suzuki SJ413 Service Manual Suzuki Motor Company Limited,1984 Covers 1324cc engine from 1984 1990 Suzuki SJ Series & Vitara Owners Workshop Manual Bob Henderson,A. K. Legg,1994 *Suzuki SN413 Service Manual* ,1998 *Suzuki SY413/SY416 Service Manual* ,1995 *Suzuki Carry Da63t Electrical Service Manual & Diagrams* James Danko,2011 *Suzuki SF413 Supplementary Service Manual for Sedan* Suzuki Jidōsha Kōgyō Kabushiki Kaisha,Suzuki Motor Co,1991* *Suzuki Service Manual* Suzuki Motor Company, **Suzuki SJ413 Service Manual** ,1991 **Suzuki SA413 Service Manual** Suzuki Motor Company,1988 *Suzuki Service Manual [for] Model U50.U50D* Suzuki Motor Co. Ltd,1968 Suzuki Service Manual Suzuki Jidōsha Kōgyō Kabushiki Kaisha. Overseas Marketing Division,1976 Suzuki SF 413 Service Manual Suzuki Jidōsha Kōgyō Kabushiki Kaisha,1990 **Suzuki: Service Manual** Suzuki Motor Corporation (Hamamatsu), **Suzuki Carry & Every English Factory Service Manual** James Danko,2008-05 For Suzuki Carry Every Van owners here is your new Carry Every Factory Service Manual never before available in English Vehicle Types All including Specialty Vehicles Jacking Positions Vehicle Engine Decoding Vehicle Data Body Chassis Frame Steering Front Suspension Rear Suspension Differential Diff Lock Exhaust System Engine Cooling Fuel System Tune Up Procedure Ignition system Electronic Conventional Starter System Circuits Charging System Manual Transmission 2WD 4WD Electrical Full Brake down Schematics Brake System Engine Complete Overhaul Measurement Conversion Chart Enjoy the book and there are more coming for Honda Daihatsu Subaru Mitsubishi and others **Suzuki Service Manual, Model TS250R.** Suzuki Jidōsha Kōgyō Kabushiki Kaisha. Export Service Section,1971 **Suzuki GSF600 & 1200 Bandit Fours Service and Repair Manual** Matthew Coombs,1997 Suzuki GSF600 GSF1200 Bandit Fours 1995 97 Shop Manual Haynes Covers 6cc and 12cc models 256 pgs 614 b w ill **Suzuki Service Manual, Model TS 185** Suzuki Jidōsha Kōgyō Kabushiki Kaisha. Export Service Section,1971 **Suzuki SA413 Supplementary Service Manual for 5-door Model** ,1984 **Suzuki Hatch SS40V Service Manual** Suzuki Motor Co. Ltd. Service Department,1980

Fuel your quest for knowledge with Authored by is thought-provoking masterpiece, Explore **Suzuki Sy413sy416sy418 Service Manual** . This educational ebook, conveniently sized in PDF (PDF Size: *), is a gateway to personal growth and intellectual stimulation. Immerse yourself in the enriching content curated to cater to every eager mind. Download now and embark on a learning journey that promises to expand your horizons. .

https://letsgetcooking.org.uk/files/detail/fetch.php/Real_Math_Question_For_Jsc_2014.pdf

Table of Contents Suzuki Sy413sy416sy418 Service Manual

1. Understanding the eBook Suzuki Sy413sy416sy418 Service Manual
 - The Rise of Digital Reading Suzuki Sy413sy416sy418 Service Manual
 - Advantages of eBooks Over Traditional Books
2. Identifying Suzuki Sy413sy416sy418 Service Manual
 - Exploring Different Genres
 - Considering Fiction vs. Non-Fiction
 - Determining Your Reading Goals
3. Choosing the Right eBook Platform
 - Popular eBook Platforms
 - Features to Look for in an Suzuki Sy413sy416sy418 Service Manual
 - User-Friendly Interface
4. Exploring eBook Recommendations from Suzuki Sy413sy416sy418 Service Manual
 - Personalized Recommendations
 - Suzuki Sy413sy416sy418 Service Manual User Reviews and Ratings
 - Suzuki Sy413sy416sy418 Service Manual and Bestseller Lists
5. Accessing Suzuki Sy413sy416sy418 Service Manual Free and Paid eBooks
 - Suzuki Sy413sy416sy418 Service Manual Public Domain eBooks
 - Suzuki Sy413sy416sy418 Service Manual eBook Subscription Services
 - Suzuki Sy413sy416sy418 Service Manual Budget-Friendly Options

6. Navigating Suzuki Sy413sy416sy418 Service Manual eBook Formats
 - ePub, PDF, MOBI, and More
 - Suzuki Sy413sy416sy418 Service Manual Compatibility with Devices
 - Suzuki Sy413sy416sy418 Service Manual Enhanced eBook Features
7. Enhancing Your Reading Experience
 - Adjustable Fonts and Text Sizes of Suzuki Sy413sy416sy418 Service Manual
 - Highlighting and Note-Taking Suzuki Sy413sy416sy418 Service Manual
 - Interactive Elements Suzuki Sy413sy416sy418 Service Manual
8. Staying Engaged with Suzuki Sy413sy416sy418 Service Manual
 - Joining Online Reading Communities
 - Participating in Virtual Book Clubs
 - Following Authors and Publishers Suzuki Sy413sy416sy418 Service Manual
9. Balancing eBooks and Physical Books Suzuki Sy413sy416sy418 Service Manual
 - Benefits of a Digital Library
 - Creating a Diverse Reading Collection Suzuki Sy413sy416sy418 Service Manual
10. Overcoming Reading Challenges
 - Dealing with Digital Eye Strain
 - Minimizing Distractions
 - Managing Screen Time
11. Cultivating a Reading Routine Suzuki Sy413sy416sy418 Service Manual
 - Setting Reading Goals Suzuki Sy413sy416sy418 Service Manual
 - Carving Out Dedicated Reading Time
12. Sourcing Reliable Information of Suzuki Sy413sy416sy418 Service Manual
 - Fact-Checking eBook Content of Suzuki Sy413sy416sy418 Service Manual
 - Distinguishing Credible Sources
13. Promoting Lifelong Learning
 - Utilizing eBooks for Skill Development
 - Exploring Educational eBooks
14. Embracing eBook Trends
 - Integration of Multimedia Elements

- Interactive and Gamified eBooks

Suzuki Sy413sy416sy418 Service Manual Introduction

Free PDF Books and Manuals for Download: Unlocking Knowledge at Your Fingertips In today's fast-paced digital age, obtaining valuable knowledge has become easier than ever. Thanks to the internet, a vast array of books and manuals are now available for free download in PDF format. Whether you are a student, professional, or simply an avid reader, this treasure trove of downloadable resources offers a wealth of information, conveniently accessible anytime, anywhere. The advent of online libraries and platforms dedicated to sharing knowledge has revolutionized the way we consume information. No longer confined to physical libraries or bookstores, readers can now access an extensive collection of digital books and manuals with just a few clicks. These resources, available in PDF, Microsoft Word, and PowerPoint formats, cater to a wide range of interests, including literature, technology, science, history, and much more. One notable platform where you can explore and download free Suzuki Sy413sy416sy418 Service Manual PDF books and manuals is the internet's largest free library. Hosted online, this catalog compiles a vast assortment of documents, making it a veritable goldmine of knowledge. With its easy-to-use website interface and customizable PDF generator, this platform offers a user-friendly experience, allowing individuals to effortlessly navigate and access the information they seek. The availability of free PDF books and manuals on this platform demonstrates its commitment to democratizing education and empowering individuals with the tools needed to succeed in their chosen fields. It allows anyone, regardless of their background or financial limitations, to expand their horizons and gain insights from experts in various disciplines. One of the most significant advantages of downloading PDF books and manuals lies in their portability. Unlike physical copies, digital books can be stored and carried on a single device, such as a tablet or smartphone, saving valuable space and weight. This convenience makes it possible for readers to have their entire library at their fingertips, whether they are commuting, traveling, or simply enjoying a lazy afternoon at home. Additionally, digital files are easily searchable, enabling readers to locate specific information within seconds. With a few keystrokes, users can search for keywords, topics, or phrases, making research and finding relevant information a breeze. This efficiency saves time and effort, streamlining the learning process and allowing individuals to focus on extracting the information they need. Furthermore, the availability of free PDF books and manuals fosters a culture of continuous learning. By removing financial barriers, more people can access educational resources and pursue lifelong learning, contributing to personal growth and professional development. This democratization of knowledge promotes intellectual curiosity and empowers individuals to become lifelong learners, promoting progress and innovation in various fields. It is worth noting that while accessing free Suzuki Sy413sy416sy418 Service Manual PDF books and manuals is convenient and cost-effective, it is vital to respect copyright laws and intellectual property rights. Platforms offering free

downloads often operate within legal boundaries, ensuring that the materials they provide are either in the public domain or authorized for distribution. By adhering to copyright laws, users can enjoy the benefits of free access to knowledge while supporting the authors and publishers who make these resources available. In conclusion, the availability of Suzuki Sy413sy416sy418 Service Manual free PDF books and manuals for download has revolutionized the way we access and consume knowledge. With just a few clicks, individuals can explore a vast collection of resources across different disciplines, all free of charge. This accessibility empowers individuals to become lifelong learners, contributing to personal growth, professional development, and the advancement of society as a whole. So why not unlock a world of knowledge today? Start exploring the vast sea of free PDF books and manuals waiting to be discovered right at your fingertips.

FAQs About Suzuki Sy413sy416sy418 Service Manual Books

1. Where can I buy Suzuki Sy413sy416sy418 Service Manual books? Bookstores: Physical bookstores like Barnes & Noble, Waterstones, and independent local stores. Online Retailers: Amazon, Book Depository, and various online bookstores offer a wide range of books in physical and digital formats.
2. What are the different book formats available? Hardcover: Sturdy and durable, usually more expensive. Paperback: Cheaper, lighter, and more portable than hardcovers. E-books: Digital books available for e-readers like Kindle or software like Apple Books, Kindle, and Google Play Books.
3. How do I choose a Suzuki Sy413sy416sy418 Service Manual book to read? Genres: Consider the genre you enjoy (fiction, non-fiction, mystery, sci-fi, etc.). Recommendations: Ask friends, join book clubs, or explore online reviews and recommendations. Author: If you like a particular author, you might enjoy more of their work.
4. How do I take care of Suzuki Sy413sy416sy418 Service Manual books? Storage: Keep them away from direct sunlight and in a dry environment. Handling: Avoid folding pages, use bookmarks, and handle them with clean hands. Cleaning: Gently dust the covers and pages occasionally.
5. Can I borrow books without buying them? Public Libraries: Local libraries offer a wide range of books for borrowing. Book Swaps: Community book exchanges or online platforms where people exchange books.
6. How can I track my reading progress or manage my book collection? Book Tracking Apps: Goodreads, LibraryThing, and Book Catalogue are popular apps for tracking your reading progress and managing book collections. Spreadsheets: You can create your own spreadsheet to track books read, ratings, and other details.
7. What are Suzuki Sy413sy416sy418 Service Manual audiobooks, and where can I find them? Audiobooks: Audio

- recordings of books, perfect for listening while commuting or multitasking. Platforms: Audible, LibriVox, and Google Play Books offer a wide selection of audiobooks.
8. How do I support authors or the book industry? Buy Books: Purchase books from authors or independent bookstores. Reviews: Leave reviews on platforms like Goodreads or Amazon. Promotion: Share your favorite books on social media or recommend them to friends.
 9. Are there book clubs or reading communities I can join? Local Clubs: Check for local book clubs in libraries or community centers. Online Communities: Platforms like Goodreads have virtual book clubs and discussion groups.
 10. Can I read Suzuki Sy413sy416sy418 Service Manual books for free? Public Domain Books: Many classic books are available for free as they're in the public domain. Free E-books: Some websites offer free e-books legally, like Project Gutenberg or Open Library.

Find Suzuki Sy413sy416sy418 Service Manual :

[real math question for jsc 2014](#)

realidades 1 4b actividad answers

reading explorer 3

readworks slavery the civil war answer

reading plus answers level g

[real estate math problems and answers](#)

[real estate guide edmonton](#)

[realidades 1 4b answer key](#)

readygen nyc phonics and vocabulary teaching guide

real happiness proven paths for contentment peace well being

ready ny ccls practice math 7

read varicad kochbuch leseprobe

readings in performance and ecology what is theatre

[ready to go on quiz section 1a geometry answers](#)

[real estate career books](#)

Suzuki Sy413sy416sy418 Service Manual :

f daily to do checklist journal notebook the perf pdf ftp - Apr 17 2022

web daily planner organizer to do list notepad planner and journal personal daily planners organizers and notebooks details daily routines weekly chores to do list menu plan healthy habits appointments size dimensions 7 x 10

f daily to do checklist journal notebook the perf pdf - Jun 19 2022

web f daily to do checklist journal notebook the perf 1 11 downloaded from uniport edu ng on april 11 2023 by guest f daily to do checklist journal notebook the perf eventually you will enormously discover a supplementary experience and realization by spending more cash still when get you put up with that you

f daily to do checklist journal notebook the perf pdf - Aug 22 2022

web a woman s daily walk with god payroll administrative assistant s and secretary s handbook f daily to do checklist journal notebook the perf downloaded from duckhunter chevignon com co by guest sanaa yaretzi radiation safety manual department of the army what does it take to say f it and really mean it to walk away

f daily to do checklist journal notebook the perf pdf blog - Oct 04 2023

web f daily to do checklist journal notebook the perf 3 3 milkyway media daily to do list notebook 100 daily lined to do checklist notebook planner and task manager undated with top 3 priorities checkboxes and notes a thoughtful gifts for women and girls details 3 top priority lines at the head of each page to make sure the most

f daily to do checklist journal notebook the perf 2022 - Jul 01 2023

web f daily to do checklist journal notebook the perf my to do list brayan s to do list f f daily planner undated payroll mood meter f ck daily planner undated 4 f daily to do checklist journal notebook the perf 2023 04 21 key to find fulfillment plan every daily step of your life with our planner and you will not loose yourself you have

read free f daily to do checklist journal notebook the perf - Oct 24 2022

web sep 23 2023 read free f daily to do checklist journal notebook the perf read pdf free daily task planner daily to do list daily to do planner to do checklist a new day has come to do list prioritize tasktask list to do list daily to do list planner blur the lines between work and play don t ignore your own potential to do list

59 sample daily checklist templates in pdf ms word - Feb 13 2022

web what is a daily checklist the basic elements of a daily checklist it takes two the main types of checklists how to make a daily checklist faqs how many tasks can be done daily what are the three kinds of a checklist what is a job checklist 59 sample daily checklist templates sample daily checklist template download now

f daily to do checklist journal notebook the perf pdf - Aug 02 2023

web 4 f daily to do checklist journal notebook the perf 2022 10 21 that can help you start your own mental health journey

when you're not f'cking fine is a guide for people who know that self-care looks a lot different when you have to fight through your mental illness the whole way this guide tackles the unique challenges of living with mental

daily task checklist 15 benefits from experts around the globe - Mar 17 2022

web jan 21 2020 daily task checklist daily checklist benefit 13 smoother workflows and processes by creating a space to pre-plan and manage your daily processes and workflows hiccups brakes and stalls are avoided

f daily to do checklist journal notebook the perf qr bonide - May 19 2022

web f daily to do checklist journal notebook the perf downloaded from qr bonide.com by guest maldonado braxton f k it be at peace with life just as it is cengage learning this volume contains sermons by dr dietrich f seidel theologian and marriage and family counselor

f daily to do checklist journal notebook the perfect - Apr 29 2023

web sep 7 2023 entry journal a5 journal notebook isbn 1912817187 isbn 13 daily to do planner notepad by julianne amp co how to organize a notebook for work the order expert my cleaning schedule habit tracker notebook take notes sync apps on google play 120 best o r g a n i s a t i o n

f daily to do checklist journal notebook the perf full pdf - Jul 21 2022

web this f daily to do checklist journal notebook the perf as one of the most full of life sellers here will unquestionably be accompanied by the best options to review

f daily to do checklist journal notebook the perf download - Mar 29 2023

web 2 f daily to do checklist journal notebook the perf 2022 06 10 learn to continually apply new skills as lifelong learners available with infotrac student collections gocengage.com infotrac important notice media content referenced within the product description or the product text may not be available in the ebook version

f daily to do checklist journal notebook the perf download - Feb 25 2023

web f daily to do checklist journal notebook the perf 1 f daily to do checklist journal notebook the perf summary of roy f baumeister's willpower by milkyway media business service check list friday is my second favorite f word aviation boatswain's mate f 3 2 my to do list daily planner f daily planner undated notebook planner

read free f daily to do checklist journal notebook the perf - Nov 24 2022

web sep 25 2023 read free f daily to do checklist journal notebook the perf read pdf daily checklist journal notebook this paperback notebook is 6 x 9 inches and has 108 pages of checklists it is perfect as a gift or as a personal organiser features 6 x 9 108 pages for organising your daily tasks

read free f daily to do checklist journal notebook the perf - Sep 22 2022

web aug 16 2023 read free f daily to do checklist journal notebook the perf read pdf free make it happen london to do list

notebook get off my list eating page checklist think outside the box daily checklist journal to do checklist journal with checkboxes for daily tasks and staying organized it helps you

f daily to do checklist journal notebook the perf wodbydesign - May 31 2023

web money for f daily to do checklist journal notebook the perf and numerous books collections from fictions to scientific research in any way accompanied by them is this f daily to do checklist journal notebook the perf that can be your partner f daily to do checklist journal notebook the perf downloaded from wodbydesign com by [creating a daily to do list cornell university](#) - Jan 27 2023

web things that separate effective to do lists from ineffective ones making a new list every day prioritizing the items on the list and breaking items down into small pieces do this exercise daily it is an effective way of managing your time 420 ccc garden ave extension ithaca new york 14853 4203 t 607 255 6310 f 607 255 1562

f daily to do checklist journal notebook the perf clr imymac - Dec 26 2022

web f daily to do checklist journal notebook the perf 3 3 back to school christmas gift or holiday graduation beginning of the school year gift for women girls and men boys for a motivational and inspirational boost journal features size 6x9 inch small enough to carry in your bag paper checklist planner on white paper pages

f daily to do checklist journal notebook the perf pdf - Sep 03 2023

web all we find the money for f daily to do checklist journal notebook the perf pdf and numerous books collections from fictions to scientific research in any way among them is this f daily to do checklist journal notebook the perf pdf that can be your partner f mfk journals 2019 12 22 the perfect and simplest daily planner [stanislaus county job descriptions governmentjobs com](#) - Oct 22 2021

web jun 13 2023 identification account and contact data including your name username and password professional or personal email address professional or personal telephone

bank clerk jelentése magyarul topszótár - Dec 24 2021

web bank clerk még 11 szer hibázhatsz Új feladványt kérek bank clerk jelentései az angol magyar topszótárban bank clerk magyarul ismerd meg a bank clerk magyar

accountclerkstanislaustest solarroof midwestroofandsolar - Apr 27 2022

web account clerk stenographer principal account clerk property tax assessment in stanislaus county bookkeeper account clerk the commercial and financial

accountclerkstanislaustest 2022 - Dec 04 2022

web final budget of stanislaus county and financial report bookkeeper account clerk principal account clerk state of california salaries and wages supplement covered

account clerk ii practice test stanislaus california - Feb 06 2023

web 4 account clerk ii practice test stanislaus california 2022 09 06 from celebrated harvard statistics lectures introduction to probability provides essential language and tools for

written test preparation guide stanislaus county - Jun 10 2023

web test materials most stanislaus ounty written tests have a booklet format you will record your answers on a fill in the bubble type answer sheet similar to the one shown on the

accountclerkstanislaustest 2022 - Nov 22 2021

web land your next accounts receivable clerk role with ease and use the 2556 real interview questions in this time tested book to demystify the entire job search process

accountclerkstanislaustest solarroof midwestroofandsolar - Jun 29 2022

web a concise system of book keeping applicable to solicitors account by a managing clerk g stuart downey hyde child support enforcement and assurance proposal

clerk jelentése magyarul topszótár - Jan 25 2022

web van még kifejezés 2048 2048 játék clerk jelentései az angol magyar topszótárban clerk magyarul képpel ismerd meg a clerk magyar jelentéseit clerk fordítása

account clerk ii practice test stanislaus california uniport edu - Oct 02 2022

web sep 25 2023 account clerk ii practice test stanislaus california 3 4 downloaded from uniport edu ng on september 25 2023 by guest bookkeeper account clerk hy

stanislaus county employee reviews for account clerk indeed - Apr 08 2023

web account clerk reviews from stanislaus county employees about working as an account clerk at stanislaus county learn about stanislaus county culture salaries benefits

accounting clerk test pre employment assessment testlify - Aug 12 2023

web overview of accounting clerk test the accounting clerk recruitment test assesses the candidate s skill for doing clerical tasks in the accounts department like accounting

tureng clerk türkçe İngilizce sözlük - Jan 05 2023

web stock clerk i continuity clerk i İngilizce türkçe online sözlük tureng kelime ve terimleri çevir ve farklı aksanlarda sesli dinleme clerk yazman office clerk büro memuru clerk

account clerk stanislaus test uniport edu ng - May 29 2022

web jul 12 2023 account clerk stanislaus test 2 4 downloaded from uniport edu ng on july 12 2023 by guest commercial and financial chronicle bankers gazette commercial

account clerk sample test flashcards quizlet - Sep 13 2023

web account clerk sample test 4 9 8 reviews balance sheet click the card to flip a statement which shows the state of a business at a certain date is referred to as a click

accountclerkstanislaustest ftp startbloggingonline - Feb 23 2022

web pessimistic account for him the enlightenment has increased and sophisticated the techniques of power which pervades and more significantly constitutes societies and

account clerk stanislaus test wp publish com - May 09 2023

web account clerk stanislaus test decoding account clerk stanislaus test revealing the captivating potential of verbal expression in an era characterized by

bank clerk ne demek ileilgili org - Jul 31 2022

web bank clerk türkçesi bank clerk nedir banka memuru bank clerk ile ilgili cümleler english he gets a reasonable salary as a bank clerk turkish bir banka memuru olarak makul

accountclerkstanislaustest pdf - Sep 01 2022

web your upcoming exam bookkeeper account clerk passbooks the accounting auditing clerk passbook r prepares you for your test by allowing you to take practice exams in

accountclerkstanislaustest pdf - Nov 03 2022

web the principal account audit clerk passbook r prepares you for your test by allowing you to take practice exams in the subjects you need to study a concise system of book

account clerk stanislaus test programma syriza gr - Mar 27 2022

web account clerk stanislaus test 5 5 district of columbia court of appeals 1902 1934 the united states court of appeals for the district of columbia circuit 1934 1959 and

account clerk stanislaus test help environment harvard edu - Mar 07 2023

web of this account clerk stanislaus test can be taken as skillfully as picked to act building and engineering news 1925 press release california department of social welfare

stanislaus county job descriptions governmentjobs com - Jul 11 2023

web jun 13 2023 the account clerk iii performs the more complex and difficult clerical accounting duties in accordance with established financial record keeping practices and

benson s microbiological applications laboratory manual in quizlet - Jul 05 2023

web find step by step solutions and answers to benson s microbiological applications laboratory manual in general microbiology complete version 9780077668020 as well as thousands of textbooks so you can move forward with confidence

microbiological applications laboratory manual in general - Aug 26 2022

web microbiological applications laboratory manual in general microbiology by benson harold j publication date 2002 topics microbiology laboratory manuals microbiologie manuels de laboratoire publisher boston mcgraw hill collection inlibrary printdisabled internetarchivebooks

looseleaf benson s microbiological applications laboratory manual - Jul 25 2022

web solutions for looseleaf benson s microbiological applications laboratory manual concise version view samples chapter section problem 1saq problem 2saq problem 3saq problem 4saq why are condenser adjustments generally preferred over the use of the light intensity control problem 5saq

benson s microbiological applications laboratory manual in - Feb 17 2022

web jan 3 2014 new edition coming october 2016 benson s microbiological applications has been the gold standard of microbiology laboratory manuals for over 30 years the 77 self contained clearly illustrated exercises and four color format with a wealth of added photographs makes this the ideal lab manual appropriate for either a

benson s microbiological applications laboratory manual in - Mar 21 2022

web mar 26 2004 the classic resource for undergraduate microbiology laboratory courses just keeps getting better the self contained clearly illustrated exercises and four color format make microbiological applications a laboratory manual in general microbiology the ideal lab manual appropriate for either a majors or non majors lab course this lab

benson s microbiological applications laboratory manual in - Nov 28 2022

web find step by step solutions and answers to benson s microbiological applications laboratory manual in general microbiology short version 9780073522548 as well as thousands of textbooks so you can move forward with confidence

benson s microbiological applications laboratory manual - Jan 31 2023

web overview benson s microbiological applications concise has been the gold standard of microbiology laboratory manuals for over 35 years this manual has a number of attractive features that resulted in its adoption in universities colleges and community colleges table of contents

benson s microbiological applications laboratory manual in - May 03 2023

web find step by step solutions and answers to benson s microbiological applications laboratory manual in general microbiology short version 9780073402413 as well as thousands of textbooks so you can move forward with confidence

benson s microbiological applications laboratory manual - Apr 21 2022

web summary benson s microbiological applications has been the gold standard of microbiology laboratory manuals for over 35 years this manual has a number of attractive features that resulted in its adoption in universities colleges and community colleges for a wide variety of microbiology courses

[answer key benson pdf bacteriophage growth medium](#) - Sep 07 2023

web section c answers to questions on laboratory reports exercise 1 brightfield microscopy a short answer questions 1 one hand should be under the base of the microscope to support its weight and one hand should be on the arm for balance 2 the limit of resolution of the unaided human eye is 0.2 mm

benson s microbiological applications laboratory manual - Dec 30 2022

web feb 4 2021 benson s microbiological applications concise has been the gold standard of microbiology laboratory manuals for over 35 years this manual has a number of attractive features that resulted in its adoption in universities colleges and

benson s microbiological applications laboratory manual quizlet - Mar 01 2023

web find step by step solutions and answers to benson s microbiological applications laboratory manual complete version 9781259919794 as well as thousands of textbooks so you can move forward with confidence

solved chapter 8 problem 2 benson s microbiological - Oct 28 2022

web learn and understand the educator verified answer and explanation for chapter 8 problem 2 in brown smith s benson s microbiological applications laboratory manual in general microbiology short version 13th edition

[test bank and solutions for benson s microbiological studocu](#) - Oct 08 2023

web test bank and solutions for benson s microbiological applications laboratory manual 15th edition by heidi smith learnsmart quizzes solutions manual ebook test bank for benson s microbiology view more university university of east london module clinical microbiology and immunology bs6005 20 documents students shared 20 documents

benson s microbiological applications laboratory manual in - Jun 23 2022

web the self contained clearly illustrated exercises and four color format make microbiological applications a laboratory manual in general microbiology the ideal lab manual appropriate

benson s microbiological applications laboratory manual in quizlet - Apr 02 2023

web find step by step solutions and answers to benson s microbiological applications laboratory manual in general microbiology concise version 9781259919787 as well as thousands of textbooks so you can move forward with confidence

benson s microbiological applications laboratory manual open - May 23 2022

web apr 4 2023 benson s microbiological applications laboratory manual by heidi smith alfred e brown 2021 mcgraw hill education mcgraw hill edition in english benson s microbiological applications laboratory manual by heidi smith open library

[benson s microbiological applications laboratory manual in](#) - Sep 26 2022

web benson s microbiological applications laboratory manual in general microbiology short version brown alfred e emeritus professor of microbiology author free download borrow and streaming internet archive

benson s microbiological applications laboratory manual in - Jun 04 2023

web get instant access to our step by step benson s microbiological applications laboratory manual in general microbiology concise version solutions manual our solution manuals are written by chegg experts so you can be assured of the highest quality

benson s microbiological applications complete version 13th - Aug 06 2023

web unlike static pdf benson s microbiological applications complete version 13th edition solution manuals or printed answer keys our experts show you how to solve each problem step by step no need to wait for office hours or assignments to be graded to find out where you took a wrong turn