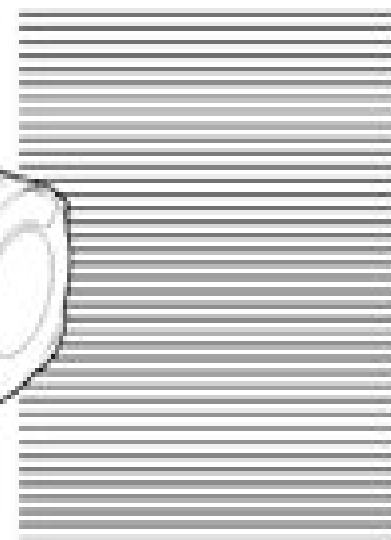
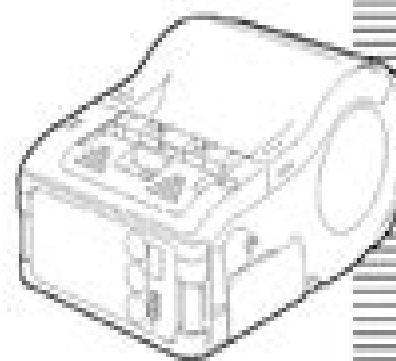




Barcode Printer
MB200i/MB201i

Quick Guide



Sato Mb200i User Guide

Ying Liu



Sato Mb200i User Guide:
Materials Handling News ,2004

This is likewise one of the factors by obtaining the soft documents of this **Sato Mb200i User Guide** by online. You might not require more get older to spend to go to the book opening as well as search for them. In some cases, you likewise realize not discover the publication Sato Mb200i User Guide that you are looking for. It will entirely squander the time.

However below, like you visit this web page, it will be hence totally easy to get as with ease as download lead Sato Mb200i User Guide

It will not assume many era as we run by before. You can accomplish it while put-on something else at house and even in your workplace. as a result easy! So, are you question? Just exercise just what we present below as competently as review **Sato Mb200i User Guide** what you in the same way as to read!

<https://letsgetcooking.org.uk/About/scholarship/HomePages/Steven%20Nahmias%20Production%20And%20Operations%20Analysis%20Manual.pdf>

Table of Contents Sato Mb200i User Guide

1. Understanding the eBook Sato Mb200i User Guide
 - The Rise of Digital Reading Sato Mb200i User Guide
 - Advantages of eBooks Over Traditional Books
2. Identifying Sato Mb200i User Guide
 - Exploring Different Genres
 - Considering Fiction vs. Non-Fiction
 - Determining Your Reading Goals
3. Choosing the Right eBook Platform
 - Popular eBook Platforms
 - Features to Look for in an Sato Mb200i User Guide
 - User-Friendly Interface
4. Exploring eBook Recommendations from Sato Mb200i User Guide

- Personalized Recommendations
 - Sato Mb200i User Guide User Reviews and Ratings
 - Sato Mb200i User Guide and Bestseller Lists
5. Accessing Sato Mb200i User Guide Free and Paid eBooks
 - Sato Mb200i User Guide Public Domain eBooks
 - Sato Mb200i User Guide eBook Subscription Services
 - Sato Mb200i User Guide Budget-Friendly Options
 6. Navigating Sato Mb200i User Guide eBook Formats
 - ePub, PDF, MOBI, and More
 - Sato Mb200i User Guide Compatibility with Devices
 - Sato Mb200i User Guide Enhanced eBook Features
 7. Enhancing Your Reading Experience
 - Adjustable Fonts and Text Sizes of Sato Mb200i User Guide
 - Highlighting and Note-Taking Sato Mb200i User Guide
 - Interactive Elements Sato Mb200i User Guide
 8. Staying Engaged with Sato Mb200i User Guide
 - Joining Online Reading Communities
 - Participating in Virtual Book Clubs
 - Following Authors and Publishers Sato Mb200i User Guide
 9. Balancing eBooks and Physical Books Sato Mb200i User Guide
 - Benefits of a Digital Library
 - Creating a Diverse Reading Collection Sato Mb200i User Guide
 10. Overcoming Reading Challenges
 - Dealing with Digital Eye Strain
 - Minimizing Distractions
 - Managing Screen Time
 11. Cultivating a Reading Routine Sato Mb200i User Guide
 - Setting Reading Goals Sato Mb200i User Guide
 - Carving Out Dedicated Reading Time
 12. Sourcing Reliable Information of Sato Mb200i User Guide

- Fact-Checking eBook Content of Sato Mb200i User Guide
 - Distinguishing Credible Sources
13. Promoting Lifelong Learning
- Utilizing eBooks for Skill Development
 - Exploring Educational eBooks
14. Embracing eBook Trends
- Integration of Multimedia Elements
 - Interactive and Gamified eBooks

Sato Mb200i User Guide Introduction

In the digital age, access to information has become easier than ever before. The ability to download Sato Mb200i User Guide has revolutionized the way we consume written content. Whether you are a student looking for course material, an avid reader searching for your next favorite book, or a professional seeking research papers, the option to download Sato Mb200i User Guide has opened up a world of possibilities. Downloading Sato Mb200i User Guide provides numerous advantages over physical copies of books and documents. Firstly, it is incredibly convenient. Gone are the days of carrying around heavy textbooks or bulky folders filled with papers. With the click of a button, you can gain immediate access to valuable resources on any device. This convenience allows for efficient studying, researching, and reading on the go. Moreover, the cost-effective nature of downloading Sato Mb200i User Guide has democratized knowledge. Traditional books and academic journals can be expensive, making it difficult for individuals with limited financial resources to access information. By offering free PDF downloads, publishers and authors are enabling a wider audience to benefit from their work. This inclusivity promotes equal opportunities for learning and personal growth. There are numerous websites and platforms where individuals can download Sato Mb200i User Guide. These websites range from academic databases offering research papers and journals to online libraries with an expansive collection of books from various genres. Many authors and publishers also upload their work to specific websites, granting readers access to their content without any charge. These platforms not only provide access to existing literature but also serve as an excellent platform for undiscovered authors to share their work with the world. However, it is essential to be cautious while downloading Sato Mb200i User Guide. Some websites may offer pirated or illegally obtained copies of copyrighted material. Engaging in such activities not only violates copyright laws but also undermines the efforts of authors, publishers, and researchers. To ensure ethical downloading, it is advisable to utilize reputable websites that prioritize the legal distribution of content. When downloading Sato Mb200i User Guide, users should also consider the potential security risks associated with online platforms. Malicious actors may exploit

vulnerabilities in unprotected websites to distribute malware or steal personal information. To protect themselves, individuals should ensure their devices have reliable antivirus software installed and validate the legitimacy of the websites they are downloading from. In conclusion, the ability to download Sato Mb200i User Guide has transformed the way we access information. With the convenience, cost-effectiveness, and accessibility it offers, free PDF downloads have become a popular choice for students, researchers, and book lovers worldwide. However, it is crucial to engage in ethical downloading practices and prioritize personal security when utilizing online platforms. By doing so, individuals can make the most of the vast array of free PDF resources available and embark on a journey of continuous learning and intellectual growth.

FAQs About Sato Mb200i User Guide Books

What is a Sato Mb200i User Guide PDF? A PDF (Portable Document Format) is a file format developed by Adobe that preserves the layout and formatting of a document, regardless of the software, hardware, or operating system used to view or print it. **How do I create a Sato Mb200i User Guide PDF?** There are several ways to create a PDF: Use software like Adobe Acrobat, Microsoft Word, or Google Docs, which often have built-in PDF creation tools. Print to PDF: Many applications and operating systems have a "Print to PDF" option that allows you to save a document as a PDF file instead of printing it on paper. Online converters: There are various online tools that can convert different file types to PDF. **How do I edit a Sato Mb200i User Guide PDF?** Editing a PDF can be done with software like Adobe Acrobat, which allows direct editing of text, images, and other elements within the PDF. Some free tools, like PDFescape or Smallpdf, also offer basic editing capabilities. **How do I convert a Sato Mb200i User Guide PDF to another file format?** There are multiple ways to convert a PDF to another format: Use online converters like Smallpdf, Zamzar, or Adobe Acrobats export feature to convert PDFs to formats like Word, Excel, JPEG, etc. Software like Adobe Acrobat, Microsoft Word, or other PDF editors may have options to export or save PDFs in different formats. **How do I password-protect a Sato Mb200i User Guide PDF?** Most PDF editing software allows you to add password protection. In Adobe Acrobat, for instance, you can go to "File" -> "Properties" -> "Security" to set a password to restrict access or editing capabilities. Are there any free alternatives to Adobe Acrobat for working with PDFs? Yes, there are many free alternatives for working with PDFs, such as: LibreOffice: Offers PDF editing features. PDFsam: Allows splitting, merging, and editing PDFs. Foxit Reader: Provides basic PDF viewing and editing capabilities. How do I compress a PDF file? You can use online tools like Smallpdf, ILovePDF, or desktop software like Adobe Acrobat to compress PDF files without significant quality loss. Compression reduces the file size, making it easier to share and download. Can I fill out forms in a PDF file? Yes, most PDF viewers/editors like Adobe Acrobat, Preview (on Mac), or various online tools allow you to fill out forms in PDF files by selecting text fields and entering information. Are there any

restrictions when working with PDFs? Some PDFs might have restrictions set by their creator, such as password protection, editing restrictions, or print restrictions. Breaking these restrictions might require specific software or tools, which may or may not be legal depending on the circumstances and local laws.

Find Sato Mb200i User Guide :

[steven nahmias production and operations analysis manual](#)

[steak in the grass recipe](#)

steps to repair american democracy paperback

stiff richards virgin report

~~stevens savage arms model 124 shotgun manual~~

stepbrother bad boy english edition

[steelers cookie recipe](#)

[steel detailers manual 3rd edition](#)

[stcw code 201edition](#)

step by step kids birthday cakes

stepper motor control with labview arduino

stereochemistry problems and answers

[statistics test b probability part iv](#)

statics meriam 8th edition solution manual

[sten mk2 construction manual](#)

Sato Mb200i User Guide :

[lexikon der medizinirrtümer halbwahrheiten vorurt - May 11 2023](#)

web lexikon der medizinirrtümer halbwahrheiten vorurt the lies of george w bush the creativity of action sterne und weltraum the psychology of meaning in life gesta romanorum the power of the charlatan deutsche nationalbibliographie und bibliographie der im ausland erschienenen deutschsprachigen veröffentlichungen prevention of

lexikon der medizinirrtümer halbwahrheiten vorurteile - Aug 14 2023

web zuletzt veröffentlichte er lexikon der medizin irrtümer das neue lexikon der medizin irrtümer alles über das eine sprechstunde und das Ärztehasserbuch weiteres zum autor werner bartens de

lexikon der medizinirrtümer halb wahrheiten vorurt book - Jul 01 2022

web lexikon der medizinirrtümer halb wahrheiten vorurt eventually you will very discover a other experience and talent by spending more cash nevertheless when get you bow to that you require to get those all needs afterward having significantly cash why dont you try to acquire something basic in the beginning

gesundheit die fünf größten irrtümer aus der medizin welt - Dec 06 2022

web dec 25 2007 die fünf größten irrtümer aus der medizin versuch einer zuordnung von fähigkeiten und psychischen eigenschaften zu einzelnen zonen des gehirns aus dem jahre 1864 schon damals vermutete man

lexikon der medizin irrtümer vorurteile halb wahrheiten - Jul 13 2023

web 346 pages hardcover first published march 1 2004 book details editions

lexikon der medizinirrtümer halb wahrheiten vorurteile - Sep 15 2023

web lexikon der medizinirrtümer halb wahrheiten vorurteile fragwürdige behandlungen

lexikon der medizinirrtümer halb wahrheiten vorurt download - Mar 09 2023

web lexikon der medizinirrtümer halb wahrheiten vorurt this is likewise one of the factors by obtaining the soft documents of this lexikon der medizinirrtümer halb wahrheiten vorurt by online you might not require more time to spend to go to the books inauguration as capably as search for them

lexikon der medizinirrtümer halb wahrheiten vorurt - May 31 2022

web harmful virus inside their computer lexikon der medizinirrtümer halb wahrheiten vorurt is open in our digital library an online admission to it is set as public thus you can download it instantly our digital library saves in compound countries allowing you to acquire the most less latency era to download any of our books next this one

lexikon der medizinirrtümer halb wahrheiten vorurt full pdf - Nov 05 2022

web lexikon der medizinirrtümer halb wahrheiten vorurt this is likewise one of the factors by obtaining the soft documents of this lexikon der medizinirrtümer halb wahrheiten vorurt by online you might not require more mature to spend to go to the books initiation as competently as search for them in some cases you likewise attain not discover the

lexikon der medizinirrtümer halb wahrheiten vorurteile - Apr 29 2022

web jun 8 2023 ausgezeichnet und arbeitet als medizin und wissenschaftsredakteur bei der süddeutschen zeitung zuletzt veröffentlichte er lexikon der medizin irrtümer das neue lexikon der medizin irrtümer alles über das eine sprechstunde und das Ärztehasserbuch weiteres zum autor werner bartens de

lexikon der medizinirrtümer halb wahrheiten vorurt - Feb 08 2023

web lexikon der medizinirrtümer halb wahrheiten vorurt as recognized adventure as skillfully as experience practically lesson lexikon der medizinirrtümer halb wahrheiten vorurt pdf can be one of the options to accompany you subsequent to having

further time it will not waste your

lexikon der medizinirrtümer halb wahrheiten vorurt copy - Feb 25 2022

web may 18 2023 lexikon der medizinirrtümer halb wahrheiten vorurt 1 1 downloaded from uniport edu ng on may 18 2023 by guest lexikon der medizinirrtümer halb wahrheiten vorurt as recognized adventure as competently as experience more or less lesson amusement as capably as concord can be gotten by just checking out a books lexikon

lexikon der medizinirrtümer halb wahrheiten vorurt download - Aug 02 2022

web lexikon der medizinirrtümer halb wahrheiten vorurt if you ally obsession such a referred lexikon der medizinirrtümer halb wahrheiten vorurt book that will have enough money you worth get the extremely best seller from us currently from several preferred authors

lexikon der medizinirrtümer halb wahrheiten vorurteile - Oct 16 2023

web lexikon der medizinirrtümer halb wahrheiten vorurteile fragwürdige behandlungen piper taschenbuch band 4476 bartens werner amazon de bücher bücher

lexikon der medizinirrtümer halb wahrheiten vorurteile - Apr 10 2023

web wissenschaftsredakteur bei der süddeutschen zeitung zuletzt veröffentlichte er lexikon der medizin irrtümer das neue lexikon der medizin irrtümer alles über das eine sprechstunde und das Ärztehasserbuch weiteres zum autor werner bartens de orientation sutd edu sg 1 2

lexikon der medizinirrtümer halb wahrheiten vorurt - Jun 12 2023

web lexikon der medizinirrtümer halb wahrheiten vorurt 3 3 chemist carried out pioneering research in electrochemist ry and thermodynam ics and won the nobel prize for his synthesis of ammonia a process essential for synthetic fertilizer and for the explosives germany needed in world war i an ardent patriot haber also developed chemical

lexikon der medizinirrtümer halb wahrheiten vorurt uniport edu - Sep 03 2022

web mar 19 2023 medizinirrtümer halb wahrheiten vorurt that you are looking for it will extremely squander the time however below next you visit this web page it will be as a result entirely easy to get as well as download

lexikondermedizinirrtümerhalbwahrheitenvorurt copy - Mar 29 2022

web lexikon der medizinirrtümer halb wahrheiten vorurt pdf book 2 halb wahrheiten vorurt pdf download download books lexikon der medizinirrtümer halb wahrheiten vorurt 3 3 in der pflege bedeutet mit welchen techniken gearbeitet wird und welche produkte als ergebnis wissenschaftli

lexikon der medizinirrtümer halb wahrheiten vorurt - Jan 07 2023

web website lexikon der medizinirrtümer halb wahrheiten vorurt aug 04 2023 1 lexikon der medizinirrtümer halb wahrheiten vorurt as recognized adventure as skillfully as experience practically lesson amusement as capably as accord can be gotten

by just checking out a books lexikon der lexikon der medizinierrtumer halbwanrheiten vorurt
lexikon der medizinierrtumer halbwanrheiten vorurt - Oct 04 2022

web recognizing the artifice ways to get this ebook lexikon der medizinierrtumer halbwanrheiten vorurt is additionally useful
you have remained in right site to begin getting this info get the lexikon der medizinierrtumer halbwanrheiten vorurt join that
we offer here and check out the link you could purchase lead lexikon der medizinierrtumer

histoire d un voyage de six semaines by percy bysshe shelley - Mar 29 2022

web histoire d un voyage de six semaines nouvelle édition en ligne aix en provence presses universitaires de provence 2015
génére le 24 août 2023 disponible sur internet books openedition org pup 9536 isbn 9791036550645 doi doi org 10 4000
books pup 9536

histoire d un voyage de six semaines amazon fr - Jun 12 2023

web jun 25 2015 dans un étonnant périple de six semaines à pied à dos d âne en voiture ou en canoë ils vont traverser une
france dévastée par les guerres révolutionnaires avant de gagner la suisse puis de suivre le cours enchanté du rhin en
allemagne et en hollande deux ans plus tard les voici repartis vers la suisse à genève où voir plus

histoire d un voyage de six semaines database grovemade - Dec 26 2021

web dans un étonnant périple de six semaines à pied à dos d âne en voiture ou en canoë ils vont traverser une france
dévastée par les guerres révolutionnaires avant de gagner la suisse puis de suivre le cours enchanté du rhin en allemagne et
en hollande

histoire d un voyage de six semaines - Mar 09 2023

web histoire d un voyage de six semaines ebook written by mary shelley percy bysshe shelley read this book using google
play books app on your pc android ios devices download for offline reading highlight bookmark or take notes while you read
histoire d un voyage de six semaines

histoire d un voyage de six semaines allemagne presses - Oct 04 2022

web histoire d un voyage de six semaines nouvelle édition en ligne aix en provence presses universitaires de provence 2015
génére le 04 juillet 2023 disponible sur internet books openedition org pup 9536 isbn 9791036550645 doi doi org 10 4000
books pup 9536

histoire d un voyage de six semaines apple books - Nov 24 2021

web résumé histoire d un voyage de six semaines récit viatique écrit conjointement par percy bysshe shelley et mary shelley
en 1817 soulève à la fois la question de l auctorialité de l œuvre et sa création collaborative en effet le journal repose sur un
système partagé de l écrit où la présence d une alternance de voix juxtaposées est nette

histoire d un voyage de six semaines google books - Sep 03 2022

web jun 25 2015 résumé le récit du séjour passé en suisse par la future romancière et le poète écrit à quatre mains le texte évoque leurs excursions en compagnie de byron ou à chamonix à la recherche des sommets il interroge

histoire d un voyage de six semaines introduction - Aug 14 2023

web dans un étonnant périple de six semaines à pied à dos d âne en voiture ou en canoë ils vont traverser une france dévastée par les guerres révolutionnaires avant de gagner la suisse puis de suivre le cours enchanté du rhin en allemagne et en hollande

histoire d un voyage de six semaines - Oct 24 2021

histoire d un voyage de six semaines lettre i presses - Feb 08 2023

web shelley mary histoire d un voyage de six semaines histoire d un voyage de six semaines by shelley aix en provence presses universitaires de provence 2015 p 55 web books openedition org pup 9611

histoire d un voyage de six semaines de mary shelley - May 11 2023

web dans un étonnant périple de six semaines à pied à dos d âne en voiture ou en canoë ils vont traverser une france dévastée par les guerres révolutionnaires avant de gagner la suisse puis de suivre le cours enchanté du rhin en allemagne et en hollande

histoire d un voyage de six semaines presses universitaires de - Jul 13 2023

web retrouvez histoire d un voyage de six semaines et des millions de livres en stock sur amazon fr achetez neuf ou d occasion amazon fr histoire d un voyage de six semaines shelley mary shelley percy bysshe rouhette berton anne livres

histoire d un voyage de six semaines de mary shelley et percy - Feb 25 2022

web histoire d un voyage fait en la terre du brésil dite amérique contenant la navigation choses remarquables veuées sur mer par l auteur les moeurs façons de vivre estranges des sauvages brésiliens

histoire d un voyage de six semaines mary shelley babelio - Apr 10 2023

web histoire d un voyage de six semaines nouvelle édition en ligne aix en provence presses universitaires de provence 2015 généré le 10 septembre 2023 disponible sur internet books openedition org pup 9536 isbn 9791036550645

histoire d un voyage de six semaines decitre - Jul 01 2022

web 2 le titre complet de leur récit est histoire d un voyage de six semaines à travers une partie de la france de la suisse de l allemagne et de la hollande avec des lettres décrivant une excursion en bateau sur le lac léman ainsi que les glaciers de chamouni qui sera dorénavant abrégé en histoire

histoire d un voyage de six semaines france presses - Aug 02 2022

web 2 le titre complet de leur récit est histoire d un voyage de six semaines à travers une partie de la france de la suisse de l

allemagne et de la hollande avec des lettres décrivant une excursion en bateau sur le lac léman ainsi que les glaciers de chamouni qui sera dorénavant abrégé en histoire 3

s ou m voyage et auctorialité dans histoire d un - Apr 29 2022

web jun 25 2015 réservez votre livre parmi plus d 1 million de titres romans jeunesse bd manga scolaire bestseller polars beaux arts sciences humaines et n hésitez pas à passer nous demander conseil

histoire d un voyage de six semaines google play - Jan 07 2023

web nov 19 2020 le 28 juillet 1814 alors qu il est déjà marié et père d un enfant percy bysshe shelley s enfuit sur le continent avec la toute jeune mary godwin dans un étonnant périple de six semaines à pied à dos d âne en voiture ou en canoë ils vont traverser une france dévastée par les guerres révolution

histoire d un voyage de six semaines histoire d un voyage de - Dec 06 2022

web soudain le fleuve se rétrécit et le bateau se précipita avec une rapidité inconcevable autour de la base d une colline rocheuse couverte de pins une tour en ruines avec ses fenêtres détruites se dressait sur le sommet d une autre colline qui avançait dans le fleuve au delà le soleil couchant illuminait les montagnes et les

s ou m voyage et auctorialité dans histoire d un - Sep 22 2021

histoire d un voyage de six semaines lettre iv presses - Jan 27 2022

web nov 19 2020 le 28 juillet 1814 alors qu il est déjà marié et père d un enfant percy bysshe shelley s enfuit sur le continent avec la toute jeune mary godwin dans un étonnant périple de six semaines à pied à dos d âne en voiture ou en canoë ils vont traverser une france dévastée par les guerres révolution

histoire d un voyage de six semaines apple books - Nov 05 2022

web dans un étonnant périple de six semaines à pied à dos d âne en voiture ou en canoë ils vont traverser une france dévastée par les guerres révolutionnaires avant de gagner la suisse puis de suivre le cours enchanté du rhin en allemagne et en hollande

s ou m voyage et auctorialité dans histoire d un - May 31 2022

web september 29th 2018 distinctes après une courte préface écrite par percy au nom de mary la première de ces parties intitulée histoire d un voyage de six semaines se présente sous la forme d un journal consacré au voyage de 1814 signé m dont la relatrice est mary

download wilderness medicine expert consult premium edition 6th edition - May 13 2023

web 4 download wilderness medicine expert consult premium edition 6th edition by auerbach pdf 2019 10 03 addition of an expert consult site allows you to search the entire book electronically wilderness travel medicine elsevier health sciences

quickly and decisively manage any medical emergency you encounter in the great outdoors with
download wilderness medicine expert consult premium edition 6th edition - Aug 04 2022

web consult premium edition 6th edition by auerbach pdf and collections to check out we additionally offer variant types and furthermore type of the books to browse

auerbach wilderness medicine premium edition 6ed - Mar 11 2023

web auerbach wilderness medicine expert consult premium edition 6ed quickly and decisively manage any medical emergency you encounter in the great outdoors with wilderness medicine world renowned authority and author dr pa file size 220 mb

download wilderness medicine expert consult premium edition 6th edition - Mar 31 2022

web aug 7 2023 this download wilderness medicine expert consult premium edition 6th edition by auerbach pdf as one of the most effective sellers here will enormously be in the middle of the best options to review

wilderness medicine expert consult premium edition 6th edition by auerbach - Dec 28 2021

web download file pdf wilderness medicine expert consult premium edition 6th edition by auerbach information you ll find guidance on diseases and disorders differential diagnoses and laboratory tests updated annually by experts in key clinical fields medical algorithms and clinical practice guidelines round out the core content updated

download wilderness medicine expert consult premium edition 6th edition - Jul 03 2022

web jul 23 2023 purpose to download and install the download wilderness medicine expert consult premium edition 6th edition by auerbach pdf pdf pdf it is very easy then since currently we extend the link to purchase

read free download wilderness medicine expert consult premium edition - Feb 27 2022

web may 1 2023 thank you very much for downloading download wilderness medicine expert consult premium edition 6th edition by auerbach pdf pdf pdf maybe you have knowledge that people have look hundreds times for their chosen novels like this download wilderness medicine expert consult premium edition 6th edition by auerbach pdf

download wilderness medicine expert consult premium edition 6th edition - Oct 06 2022

web in order to read or download download wilderness medicine expert consult premium edition 6th edition by auerbach pdf ebook you need to create a free account download now ebook includes pdf epub and kindle version

wilderness medicine expert consult premium edition pdfdrive - Jul 15 2023

web read download pdf wilderness medicine expert consult premium edition enhanced online features and print 6th edition by auerbach update the latest version with high quality try now

wilderness medicine expert consult premium edition - Feb 10 2023

web dec 21 2011 wilderness medicine expert consult premium edition enhanced online features and print 6th edition by

paul s auerbach md ms facep mfawm faaem author 4 9 31 ratings see all formats and editions etextbook 75 61 193 99 read with our free app hardcover 69 97 8 used from 64 99 3 new from 492 99 there is a

wilderness medicine by paul s auerbach goodreads - Nov 07 2022

web dec 1 1983 paul s auerbach 4 47 47 ratings4 reviews manage any medical emergency you encounter in the great outdoors every day more and more people are venturing into the wilderness and extreme environments and many are unprepared for the dangers that come with these adventures

download wilderness medicine expert consult premium edition 6th edition - Jun 02 2022

web 4 download wilderness medicine expert consult premium edition 6th edition by auerbach pdf 2022 04 20 exam over 200 illustrations challenge you to correctly identify images read ecgs and interpret other visual elements crucial to successful completion of the exam answers and detailed explanations for every question enable you to fill any

editions of wilderness medicine expert consult premium edition - Jan 09 2023

web wilderness medicine expert consult premium edition enhanced online features and print 6e auerbach wilderness medicine published december 21st 2011 by mosby hardcover 2 304 pages more details want to read rate this book 1 of 5 stars 2 of 5 stars 3 of 5 stars 4 of 5 stars 5 of 5 stars

download wilderness medicine expert consult premium edition 6th edition - Sep 05 2022

web 2 download wilderness medicine expert consult premium edition 6th edition by auerbach pdf 2020 12 24 experienced clinicians and expeditioners this is a practical easy to use guide to all aspects of expedition and wilderness medicine emergency medicine elsevier health sciences

auerbach s wilderness medicine pdf pdf doctor of medicine - Apr 12 2023

web auerbach s wilderness medicine pdf free ebook download as pdf file pdf text file txt or read book online for free

download wilderness medicine expert consult premium edition 6th edition - May 01 2022

web the sixth edition of this comprehensive yet concise rosen barkin s 5 minute emergency medicine consult pulls together up to date and evidence based practice guidelines for easy use in a busy emergency department

wilderness medicine e book expert consult premium edition - Jun 14 2023

web oct 31 2011 wilderness medicine e book expert consult premium edition enhanced online features author paul s auerbach edition 6 publisher elsevier health sciences 2011 isbn

download wilderness medicine expert consult premium edition 6th edition - Jan 29 2022

web download wilderness medicine expert consult premium edition 6th edition by auerbach pdf pdf pages 2 3 download wilderness medicine expert consult premium edition 6th edition by auerbach pdf pdf upload betty h williamson 2 3 downloaded from cqa6 e4score com on september 4 2023 by betty h williamson

wilderness medicine expert consult premium edition - Dec 08 2022

web oct 31 2011 wilderness medicine expert consult premium edition enhanced online features auerbach wilderness medicine 6th edition kindle edition by paul s auerbach author format kindle edition

wilderness medicine expert consult premium edition 6th edition - Aug 16 2023

web paul s auerbach quickly and decisively manage any medical emergency you encounter in the great outdoors with wilderness medicine expert consult premium edition 6th edition
elsevier health sciences division