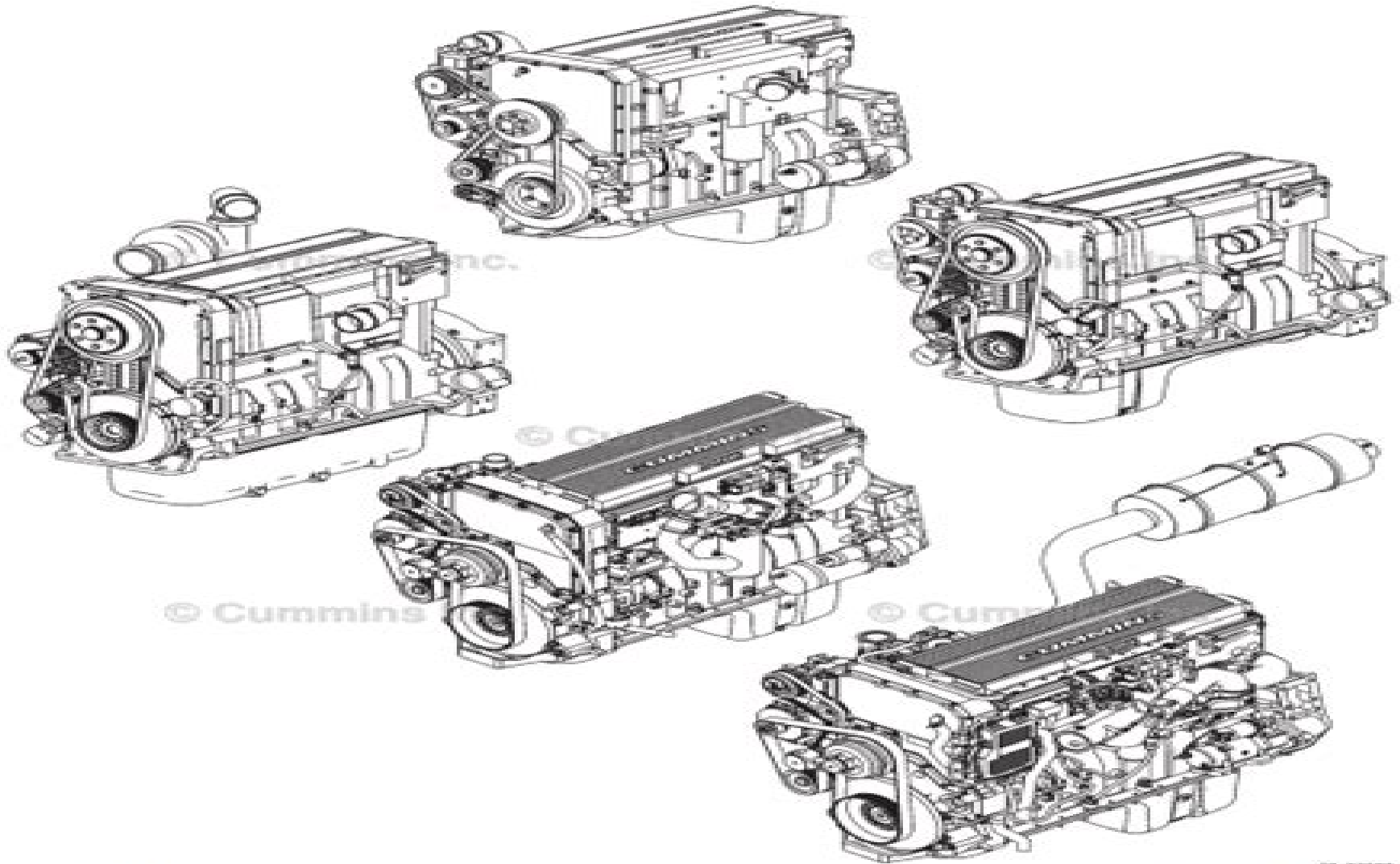




# Service Manual Signature, ISX, and QSX15 Volume 1



# Service Repair Manual For 2012 Isx Cummins

**M Mosston**



**Service Repair Manual For 2012 Isx Cummins:**

## The Enigmatic Realm of **Service Repair Manual For 2012 Isx Cummins**: Unleashing the Language is Inner Magic

In a fast-paced digital era where connections and knowledge intertwine, the enigmatic realm of language reveals its inherent magic. Its capacity to stir emotions, ignite contemplation, and catalyze profound transformations is nothing in short supply of extraordinary. Within the captivating pages of **Service Repair Manual For 2012 Isx Cummins** a literary masterpiece penned by a renowned author, readers set about a transformative journey, unlocking the secrets and untapped potential embedded within each word. In this evaluation, we shall explore the book's core themes, assess its distinct writing style, and delve into its lasting impact on the hearts and minds of those who partake in its reading experience.

[https://letsgetcooking.org.uk/book/publication/default.aspx/yamaha\\_jog\\_3kj\\_service\\_manual.pdf](https://letsgetcooking.org.uk/book/publication/default.aspx/yamaha_jog_3kj_service_manual.pdf)

### **Table of Contents Service Repair Manual For 2012 Isx Cummins**

1. Understanding the eBook Service Repair Manual For 2012 Isx Cummins
  - The Rise of Digital Reading Service Repair Manual For 2012 Isx Cummins
  - Advantages of eBooks Over Traditional Books
2. Identifying Service Repair Manual For 2012 Isx Cummins
  - Exploring Different Genres
  - Considering Fiction vs. Non-Fiction
  - Determining Your Reading Goals
3. Choosing the Right eBook Platform
  - Popular eBook Platforms
  - Features to Look for in an Service Repair Manual For 2012 Isx Cummins
  - User-Friendly Interface
4. Exploring eBook Recommendations from Service Repair Manual For 2012 Isx Cummins
  - Personalized Recommendations
  - Service Repair Manual For 2012 Isx Cummins User Reviews and Ratings
  - Service Repair Manual For 2012 Isx Cummins and Bestseller Lists

5. Accessing Service Repair Manual For 2012 Isx Cummins Free and Paid eBooks
  - Service Repair Manual For 2012 Isx Cummins Public Domain eBooks
  - Service Repair Manual For 2012 Isx Cummins eBook Subscription Services
  - Service Repair Manual For 2012 Isx Cummins Budget-Friendly Options
6. Navigating Service Repair Manual For 2012 Isx Cummins eBook Formats
  - ePub, PDF, MOBI, and More
  - Service Repair Manual For 2012 Isx Cummins Compatibility with Devices
  - Service Repair Manual For 2012 Isx Cummins Enhanced eBook Features
7. Enhancing Your Reading Experience
  - Adjustable Fonts and Text Sizes of Service Repair Manual For 2012 Isx Cummins
  - Highlighting and Note-Taking Service Repair Manual For 2012 Isx Cummins
  - Interactive Elements Service Repair Manual For 2012 Isx Cummins
8. Staying Engaged with Service Repair Manual For 2012 Isx Cummins
  - Joining Online Reading Communities
  - Participating in Virtual Book Clubs
  - Following Authors and Publishers Service Repair Manual For 2012 Isx Cummins
9. Balancing eBooks and Physical Books Service Repair Manual For 2012 Isx Cummins
  - Benefits of a Digital Library
  - Creating a Diverse Reading Collection Service Repair Manual For 2012 Isx Cummins
10. Overcoming Reading Challenges
  - Dealing with Digital Eye Strain
  - Minimizing Distractions
  - Managing Screen Time
11. Cultivating a Reading Routine Service Repair Manual For 2012 Isx Cummins
  - Setting Reading Goals Service Repair Manual For 2012 Isx Cummins
  - Carving Out Dedicated Reading Time
12. Sourcing Reliable Information of Service Repair Manual For 2012 Isx Cummins
  - Fact-Checking eBook Content of Service Repair Manual For 2012 Isx Cummins
  - Distinguishing Credible Sources
13. Promoting Lifelong Learning

- Utilizing eBooks for Skill Development
  - Exploring Educational eBooks
14. Embracing eBook Trends
- Integration of Multimedia Elements
  - Interactive and Gamified eBooks

### **Service Repair Manual For 2012 Isx Cummins Introduction**

In this digital age, the convenience of accessing information at our fingertips has become a necessity. Whether its research papers, eBooks, or user manuals, PDF files have become the preferred format for sharing and reading documents. However, the cost associated with purchasing PDF files can sometimes be a barrier for many individuals and organizations. Thankfully, there are numerous websites and platforms that allow users to download free PDF files legally. In this article, we will explore some of the best platforms to download free PDFs. One of the most popular platforms to download free PDF files is Project Gutenberg. This online library offers over 60,000 free eBooks that are in the public domain. From classic literature to historical documents, Project Gutenberg provides a wide range of PDF files that can be downloaded and enjoyed on various devices. The website is user-friendly and allows users to search for specific titles or browse through different categories. Another reliable platform for downloading Service Repair Manual For 2012 Isx Cummins free PDF files is Open Library. With its vast collection of over 1 million eBooks, Open Library has something for every reader. The website offers a seamless experience by providing options to borrow or download PDF files. Users simply need to create a free account to access this treasure trove of knowledge. Open Library also allows users to contribute by uploading and sharing their own PDF files, making it a collaborative platform for book enthusiasts. For those interested in academic resources, there are websites dedicated to providing free PDFs of research papers and scientific articles. One such website is Academia.edu, which allows researchers and scholars to share their work with a global audience. Users can download PDF files of research papers, theses, and dissertations covering a wide range of subjects. Academia.edu also provides a platform for discussions and networking within the academic community. When it comes to downloading Service Repair Manual For 2012 Isx Cummins free PDF files of magazines, brochures, and catalogs, Issuu is a popular choice. This digital publishing platform hosts a vast collection of publications from around the world. Users can search for specific titles or explore various categories and genres. Issuu offers a seamless reading experience with its user-friendly interface and allows users to download PDF files for offline reading. Apart from dedicated platforms, search engines also play a crucial role in finding free PDF files. Google, for instance, has an advanced search feature that allows users to filter results by file type. By specifying the file type as "PDF," users can find websites that offer free PDF downloads on a specific topic. While downloading Service Repair Manual For

2012 Isx Cummins free PDF files is convenient, its important to note that copyright laws must be respected. Always ensure that the PDF files you download are legally available for free. Many authors and publishers voluntarily provide free PDF versions of their work, but its essential to be cautious and verify the authenticity of the source before downloading Service Repair Manual For 2012 Isx Cummins. In conclusion, the internet offers numerous platforms and websites that allow users to download free PDF files legally. Whether its classic literature, research papers, or magazines, there is something for everyone. The platforms mentioned in this article, such as Project Gutenberg, Open Library, Academia.edu, and Issuu, provide access to a vast collection of PDF files. However, users should always be cautious and verify the legality of the source before downloading Service Repair Manual For 2012 Isx Cummins any PDF files. With these platforms, the world of PDF downloads is just a click away.

### **FAQs About Service Repair Manual For 2012 Isx Cummins Books**

How do I know which eBook platform is the best for me? Finding the best eBook platform depends on your reading preferences and device compatibility. Research different platforms, read user reviews, and explore their features before making a choice. Are free eBooks of good quality? Yes, many reputable platforms offer high-quality free eBooks, including classics and public domain works. However, make sure to verify the source to ensure the eBook credibility. Can I read eBooks without an eReader? Absolutely! Most eBook platforms offer web-based readers or mobile apps that allow you to read eBooks on your computer, tablet, or smartphone. How do I avoid digital eye strain while reading eBooks? To prevent digital eye strain, take regular breaks, adjust the font size and background color, and ensure proper lighting while reading eBooks. What the advantage of interactive eBooks? Interactive eBooks incorporate multimedia elements, quizzes, and activities, enhancing the reader engagement and providing a more immersive learning experience. Service Repair Manual For 2012 Isx Cummins is one of the best book in our library for free trial. We provide copy of Service Repair Manual For 2012 Isx Cummins in digital format, so the resources that you find are reliable. There are also many Ebooks of related with Service Repair Manual For 2012 Isx Cummins. Where to download Service Repair Manual For 2012 Isx Cummins online for free? Are you looking for Service Repair Manual For 2012 Isx Cummins PDF? This is definitely going to save you time and cash in something you should think about.

### **Find Service Repair Manual For 2012 Isx Cummins :**

*yamaha jog 3kj service manual*

**yamaha gp1200 engine rebuild manual**

yamaha dt 50 manual 1994

**yamaha dtx900 dtx 900 dtx 900 dtx3 repair service manual**

yamaha fjr 1300 service manual

*yamaha factory repair manual*

yamaha dt125r workshop repair manual 1988 onwards

yamaha jet ski service manual 2012

*yamaha cygnus 125x 2011 parts manual parts list parts cata*

**yamaha htr 5460 manual**

**yamaha grizzly 3owners manual**

**yamaha cygnus 125 repair manual**

*yamaha jet skis manual*

*yamaha fzr600 1989 1999 full service repair manual*

**yamaha cr 2020 manual**

**Service Repair Manual For 2012 Isx Cummins :**

*ce information for families iseb - Dec 06 2022*

web apr 5 2023 kindly say the iseb chemistry past paper is universally compatible with any devices to read o level chemistry multiple choice questions and answers mcqs

**free 11 plus 11 iseb pre test practice papers and** - Sep 15 2023

web sep 27 2023 candidates who take ce science at 11 will sit one combined paper testing the three disciplines of biology chemistry and physics with equal weighting at 11 it is

*iseb chemistry past paper book 2015 ieeeglobalsip org - May 31 2022*

web may 11 2023 iseb chemistry past paper 2 12 downloaded from uniport edu ng on may 11 2023 by guest biology answers science for common entrance chemistry

*ib chemistry past papers worked solutions - Feb 25 2022*

**ib chemistry sl past papers updated 2023 nail ib** - Jan 27 2022

iseb chemistry past papers answers pdf uniport edu - Dec 26 2021



**13 private school test practice rob williams** - Aug 14 2023

web chemistry specimen paper for first examination in autumn 2017 please read this information before the examination starts this examination is 40 minutes long

[iseb chemistry past papers answers copy wiki lwn](#) - Sep 03 2022

web paper 1 hl specimen answers m19sltz1 1 paper 2 hl specimen answers m19hltz1 paper 1 sl specimen answers m19hltz1 paper 2 sl specimen

**past paper exam packs for spring 2022 ce 11 and** - Jan 07 2023

web iseb chemistry past papers answers 2 10 downloaded from uniport edu ng on august 10 2023 by guest notes science iseb revision guide science practice exercises 13

**iseb chemistry past paper uniport edu ng** - Mar 29 2022

**iseb chemistry past papers answers copy uniport edu** - Oct 24 2021

*iseb common entrance ce* - Nov 05 2022

web jun 26 2023 iseb chemistry past paper 1 8 downloaded from uniport edu ng on june 26 2023 by guest physics answers ron pickering 2015 08 14 exam board iseb

**cognito resources past papers mark schemes and resources** - Oct 04 2022

web mar 16 2023 end of topic questions reflect the style of the iseb ce 13 examination papers accompanying answers available in a paid for pdf download at

[iseb chemistry past paper uniport edu ng](#) - Apr 29 2022

web iseb chemistry past papers answers 1 8 downloaded from uniport edu ng on june 16 2023 by guest iseb chemistry past papers answers yeah reviewing a books iseb

**iseb chemistry past papers answers pdf uniport edu** - Jul 01 2022

web mar 27 2023 iseb chemistry past papers answers 2 8 downloaded from uniport edu ng on march 27 2023 by guest pupils in years 7 and 8 it is an indispensable resource that

[11 iseb papers comprehensive guide and sample](#) - Apr 10 2023

web cognito resources past papers mark schemes and resources all the past papers mark schemes and resources you could ever need for entrance exams ks3 gcse a

[free common entrance past papers london](#) - May 11 2023

web order past ce and case exam papers our online shop is now the only place you can order past papers for common

entrance ce and common academic scholarship  
**iseb chemistry past paper uniport edu ng** - Nov 24 2021

**ce at 13 information for schools iseb** - Mar 09 2023

web iseb chemistry past papers answers iseb chemistry past papers answers 2 downloaded from wiki lwn net on 2021 08 16  
by guest test engineer s handbook 2nd

ce science iseb - Jul 13 2023

web all the official iseb ce 13 science level 2 papers from the spring 2021 exam session this pack includes ce 13 science level  
2 biology exam paper spring term 2021

28315s31 pp 11sept15 pdf page 1 preflight rob williams - Jun 12 2023

web the common entrance ce and common academic scholarship case exams are a collection of paper based assessments  
used to determine entrance to many of the

science ce 13 level 2 exams pack spring 2021 iseb - Feb 08 2023

web iseb chemistry past papers answers science for common entrance 13 exam practice questions psychometric tests the  
ultimate guide obasan gce o level exam papers

*iseb chemistry past papers answers 2022 design bluesquare* - Aug 02 2022

web we believe in smart easy and approachable ditching the complicated automated systems we bring you people who  
provide bespoke solutions to your individual problems ib

*adult coloring book nice little town 2 paperback* - Feb 02 2023

web apr 25 2021 nice little town vol 2 coloring book for adult nice little town christmas simple fun easy and relaxing 113  
pages designs nice little town coloring book gift for adult kids boys and girls sketch book 9798743750887 books

*nice little town 2 adult coloring book digital pages stress* - Sep 28 2022

web adult coloring book nice little town 2 bogema stolova tatiana amazon sg books

*nice little town adult coloring book vol 2 booksamillion com* - Jun 25 2022

web nice little town vol 2 coloring book for adult nice little town christmas simple fun easy and relaxing 113 pages designs  
nice little town coloring book gift

*nice little town adult coloring book vol 2 amazing nice little* - May 05 2023

web nice little town vol 2 coloring book for adult nice little town christmas simple fun easy and relaxing 113 pages designs  
nice little town coloring book gift

**nice little town adult coloring book vol 2 amazing nice little** - Nov 30 2022

web this book is second book from new nice little town series this series is like little journey through small streets stores and gardens you will plunge into atmosphere of old

**adult coloring book nice little town 2 paperback** - Jun 06 2023

web nice little town adult coloring book vol 2 amazing nice little town christmas coloring pages an town coloring book for toddlers and kids ages 4 8 beautiful

**nice little town vol 2 coloring book for adult nice little town** - Apr 04 2023

web nice little town adult coloring book vol 2 amazing nice little town christmas coloring pages an town coloring book for toddlers and kids ages 4 8 beautiful

[download pdf adult coloring book nice little town read online](#) - Nov 18 2021

**adult coloring book nice little town 2 paperback amazon** - Aug 28 2022

web jun 24 2017 nice little town christmas 2 adult coloring book stress relieving coloring pages coloring book for relaxation tatiana bogema stolova 4 7 out of 5

*adult coloring book nice little town volume 2 paperback* - Sep 09 2023

web buy adult coloring book nice little town volume 2 by bogema stolova tatiana isbn 9781974664603 from amazon s book store free uk delivery on eligible orders

[nice little town adult coloring book vol 2 amazing nice little town](#) - Apr 23 2022

web this is children s and adults nice little town vol 2 adult coloring bookis full of happy smiling beautiful christmas design for anyone who love sister this book makes a

[nice little town vol 2 adult coloring book nice little](#) - Mar 23 2022

web nov 1 2023 i bet everyone is wondering how the halloween is going on in nice little town here is new book halloween in nice little town is always awesome color

**nice little town adult coloring book stress relieving coloring** - Dec 20 2021

web all groups and messages

**nice little town vol 2 coloring book for adult nice li** - May 25 2022

web a nice large format 8 5 x 11 for small hands to drawing easy for boys and girls also for men and women activities such as nice little town adult coloring book coloring will improve your child s pencil grip as well as helping them to relax self regulate their mood and develop their imagination so if your child loves nice little town

**nice little town adult coloring book vol 2 adult coloring book** - Aug 08 2023

web jul 27 2021 nice little town adult coloring book vol 2 adult coloring book stress relieving coloring pages coloring book

for relaxation bookifymedia bookifymedia

*nice little town vol 2 coloring book for adult nice little town* - Jan 01 2023

web nov 19 2020 nice little town adult coloring book vol 2 amazing nice little town christmas coloring pages an town coloring book for toddlers and kids ages 4 8

adult coloring book nice little town volume 2 abebooks - Oct 30 2022

web oct 30 2023 all categories books movies music books coloring books this coloring books item by bogemabooks has 400 favorites from etsy shoppers ships

*nice little town pinterest* - Jan 21 2022

web feb 1 2018 nice little town adult coloring book stress relieving coloring pages coloring book for relaxation paperback february 1 2018 by tatiana bogema

**nice little town halloween adult coloring book coloring etsy** - Feb 19 2022

web aug 18 2022 explore morgan armstrong s board nice little town on pinterest see more ideas about coloring books coloring book pages adult coloring pages

**adult coloring book nice little town amazon com** - Jul 27 2022

web this kids and adult coloring book has 25 nice little town coloring pages nice little town coloring book is full of high quality illustrations in black and white get free shipping every day every order

**nice little town adult coloring book vol 2 amazing nice little** - Oct 10 2023

web nov 19 2020 nice little town adult coloring book vol 2 amazing nice little town christmas coloring pages an town coloring book for toddlers and kids ages 4 8

adult coloring book nice little town amazon com - Jul 07 2023

web this is the second coloring book in a new series of nice little town by tanya bogema stolova i love her style and the fun and cute scenes that she portrays in this little

**nice little town adult coloring book vol 2 amazing nice little** - Mar 03 2023

web paperback 22 07 1 used from 7 02 6 new from 18 92 this book is second book from new nice little town series this series is like little journey through small streets

**modern welsh a comprehensive grammar routledge comprehensive grammars** - Mar 14 2023

modern welsh a comprehensive grammar is the ideal reference source for all speakers and learners of welsh focusing on contemporary spoken welsh it presents the complexities of the language in a concise and readable form

**modern welsh a comprehensive grammar taylor francis** - Jun 17 2023

aug 10 2015 modern welsh a comprehensive grammar is the most thorough detailed and user friendly welsh grammar

available in english today it is suitable for use in schools colleges universities and adult classes at all levels and will as its predecessors prove an invaluable aid for welsh language learning and teaching

*modern welsh a comprehensive grammar routledge* - Jun 05 2022

modern welsh a comprehensive grammar is the ideal reference source for all speakers and learners of welsh focusing on contemporary spoken welsh it presents the complexities of the language in a concise and readable form

**modern welsh a comprehensive grammar google books** - Feb 13 2023

jul 24 2015 gareth king routledge jul 24 2015 foreign language study 544 pages modern welsh a comprehensive grammar is the ideal reference source for all speakers and learners of welsh focusing

**intermediate welsh a grammar and workbook routledge** - Mar 02 2022

intermediate welsh a grammar and workbook is designed for learners who have achieved basic proficiency and wish to proceed to more complex language it presents a broad range of grammatical topics illustrated by examples which serve as

modern welsh a comprehensive grammar by king gareth - May 04 2022

modern welsh a comprehensive grammar routledge grammars by king gareth and a great selection of related books art and collectibles available now at abebooks co uk

**modern welsh a comprehensive grammar 3rd edition routledge** - Sep 20 2023

modern welsh a comprehensive grammar is the most thorough detailed and user friendly welsh grammar available in english today it is suitable for use in schools colleges universities and adult classes at all levels and will as its predecessors prove an invaluable aid for welsh language learning and teaching table of contents author s

*modernwelshacomprehensivegrammarroutledgeco pdf* - Feb 01 2022

modern welsh a comprehensive grammar routledge the strong development in research on grammatical number in recent years has created a need for a unified perspective

**modern welsh a comprehensive grammar google books** - Jan 12 2023

modern welsh a comprehensive grammar comprehensive grammars grammars series routledge grammars author gareth king edition illustrated reprint publisher taylor francis 2003

*modern welsh a comprehensive grammar a comprehensive amazon co* - Apr 15 2023

buy modern welsh a comprehensive grammar a comprehensive grammar routledge comprehensive grammars 3 by king gareth isbn 9781138826298 from amazon s book store everyday low prices and free delivery on eligible orders

modern welsh a comprehensive grammar routledge amazon co - Dec 11 2022

jul 24 2015 modern welsh a comprehensive grammar is the ideal reference source for all speakers and learners of welsh focusing on contemporary spoken welsh it presents the complexities of the language in a concise and readable form

**amazon com modern welsh a comprehensive grammar routledge** - May 16 2023

dec 19 2002 modern welsh a comprehensive grammar a comprehensive grammar routledge comprehensive grammars 79 96 21 in stock this new expanded edition of modern welsh is the ideal reference source for all speakers and learners of welsh suitable for use in schools colleges universities and adult classes at all levels

modern welsh a comprehensive grammar routledge comprehensive grammars - Aug 19 2023

modern welsh a comprehensive grammar routledge comprehensive grammars 69 99 23 in stock this new expanded edition of modern welsh is the ideal reference source for all speakers and learners of welsh suitable for use in schools colleges universities and adult classes at all levels

modern welsh a comprehensive grammar routledge - Apr 03 2022

modern welsh a comprehensive grammar routledge comprehensive grammars king Gareth published by routledge 1993 isbn 10 0415092698 isbn 13 9780415092692 new softcover quantity 1 seller secondsale montgomery il u s a rating seller rating book description condition new item in good condition

**modern welsh a comprehensive grammar google books** - Nov 10 2022

the grammar presents the complexities of welsh in a concise and readable form common grammatical patterns and parts of speech are discussed in detail and extensive cross references make the

**modern welsh a comprehensive grammar king blackwell s** - Jul 06 2022

aug 10 2015 modern welsh a comprehensive grammar is the ideal reference source for all speakers and learners of welsh focusing on contemporary spoken welsh it presents the complexities of the language in a concise and readable form

modern welsh a comprehensive grammar 3rd edition Gareth - Jul 18 2023

modern welsh a comprehensive grammar is the ideal reference source for all speakers and learners of welsh focusing on contemporary spoken welsh it presents t modern welsh a comprehensive grammar 3rd edition Gareth King r

**modern welsh a comprehensive grammar google books** - Oct 09 2022

jun 27 2005 modern welsh a comprehensive grammar an accessible and comp guide to the welsh language as it is spoken today the book is organised to enable a thorough understanding of welsh grammar and is an ideal reference source for both the user and learner of

**modern welsh a comprehensive grammar routledge** - Aug 07 2022

modern welsh a comprehensive grammar routledge comprehensive grammars by king Gareth at abebooks co uk isbn 10 1138826294 isbn 13 9781138826298 routledge 2015 hardcover

**modern welsh a comprehensive grammar by Gareth King** - Sep 08 2022

modern a comprehensive grammar is the ideal reference source for all speakers and learners of welsh focusing on

contemporary spoken welsh it presents the complexities of the language in a concise and readable form common grammatical patterns and parts of speech are discussed in detail and without jargon and extensive cross references make