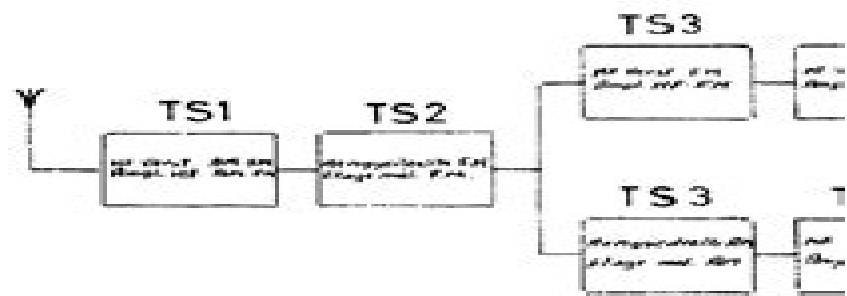
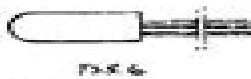
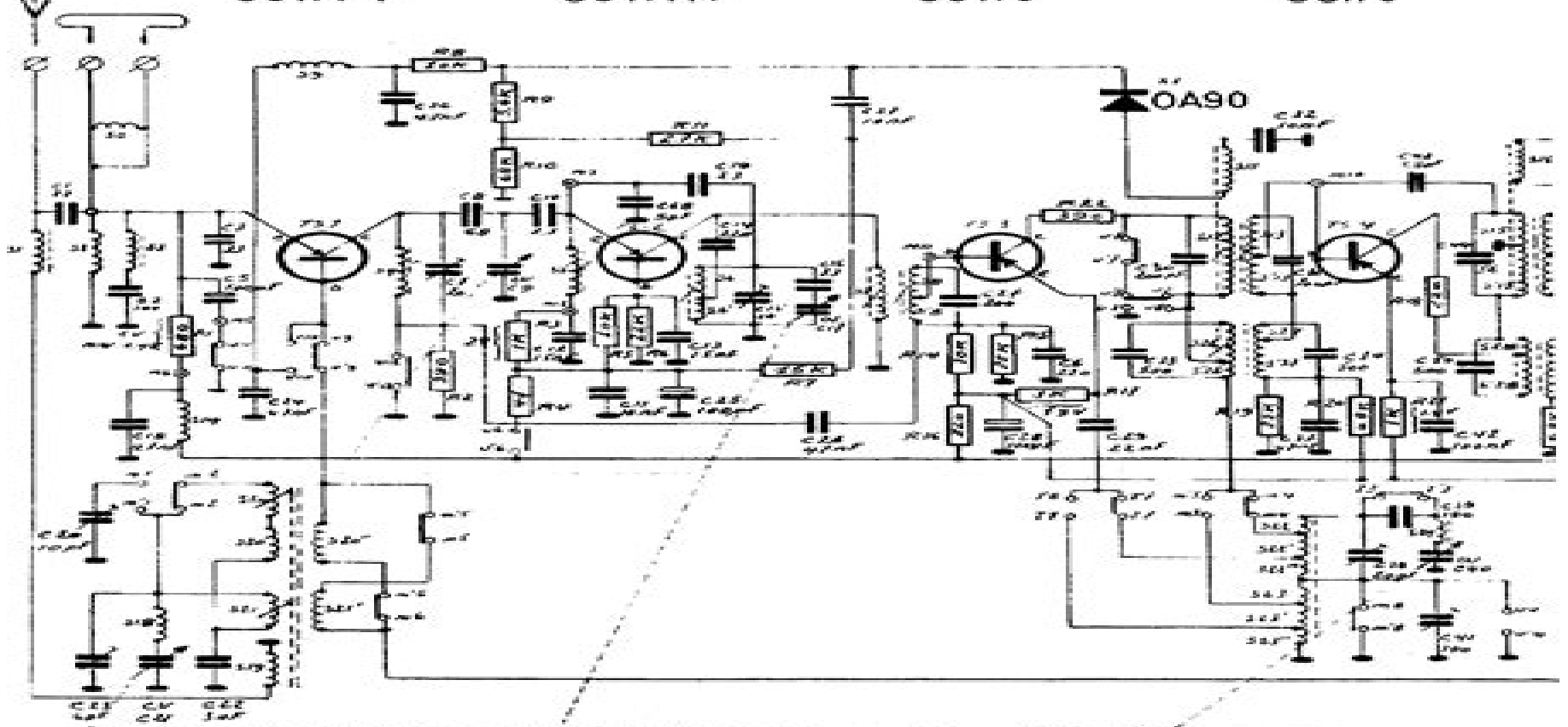


OC 171 V

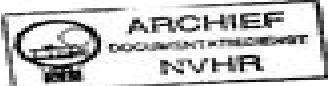
OC 171 M

OC 170

OC 170



Ned. Ver. v. Historie v/d Radio



# Sanyo Ios P10n Portable Receiver Schematic Diagram Manual

**JS Bruner**



## **Sanyo Ios P10n Portable Receiver Schematic Diagram Manual:**

Delve into the emotional tapestry woven by Crafted by in Experience **Sanyo Ios P10n Portable Receiver Schematic Diagram Manual** . This ebook, available for download in a PDF format ( PDF Size: \*), is more than just words on a page; itis a journey of connection and profound emotion. Immerse yourself in narratives that tug at your heartstrings. Download now to experience the pulse of each page and let your emotions run wild.

[https://letsgetcooking.org.uk/data/book-search/fetch.php/numerical\\_reasoning\\_test\\_answers.pdf](https://letsgetcooking.org.uk/data/book-search/fetch.php/numerical_reasoning_test_answers.pdf)

## **Table of Contents Sanyo Ios P10n Portable Receiver Schematic Diagram Manual**

1. Understanding the eBook Sanyo Ios P10n Portable Receiver Schematic Diagram Manual
  - The Rise of Digital Reading Sanyo Ios P10n Portable Receiver Schematic Diagram Manual
  - Advantages of eBooks Over Traditional Books
2. Identifying Sanyo Ios P10n Portable Receiver Schematic Diagram Manual
  - Exploring Different Genres
  - Considering Fiction vs. Non-Fiction
  - Determining Your Reading Goals
3. Choosing the Right eBook Platform
  - Popular eBook Platforms
  - Features to Look for in an Sanyo Ios P10n Portable Receiver Schematic Diagram Manual
  - User-Friendly Interface
4. Exploring eBook Recommendations from Sanyo Ios P10n Portable Receiver Schematic Diagram Manual
  - Personalized Recommendations
  - Sanyo Ios P10n Portable Receiver Schematic Diagram Manual User Reviews and Ratings
  - Sanyo Ios P10n Portable Receiver Schematic Diagram Manual and Bestseller Lists
5. Accessing Sanyo Ios P10n Portable Receiver Schematic Diagram Manual Free and Paid eBooks
  - Sanyo Ios P10n Portable Receiver Schematic Diagram Manual Public Domain eBooks
  - Sanyo Ios P10n Portable Receiver Schematic Diagram Manual eBook Subscription Services
  - Sanyo Ios P10n Portable Receiver Schematic Diagram Manual Budget-Friendly Options

6. Navigating Sanyo Ios P10n Portable Receiver Schematic Diagram Manual eBook Formats
  - ePub, PDF, MOBI, and More
  - Sanyo Ios P10n Portable Receiver Schematic Diagram Manual Compatibility with Devices
  - Sanyo Ios P10n Portable Receiver Schematic Diagram Manual Enhanced eBook Features
7. Enhancing Your Reading Experience
  - Adjustable Fonts and Text Sizes of Sanyo Ios P10n Portable Receiver Schematic Diagram Manual
  - Highlighting and Note-Taking Sanyo Ios P10n Portable Receiver Schematic Diagram Manual
  - Interactive Elements Sanyo Ios P10n Portable Receiver Schematic Diagram Manual
8. Staying Engaged with Sanyo Ios P10n Portable Receiver Schematic Diagram Manual
  - Joining Online Reading Communities
  - Participating in Virtual Book Clubs
  - Following Authors and Publishers Sanyo Ios P10n Portable Receiver Schematic Diagram Manual
9. Balancing eBooks and Physical Books Sanyo Ios P10n Portable Receiver Schematic Diagram Manual
  - Benefits of a Digital Library
  - Creating a Diverse Reading Collection Sanyo Ios P10n Portable Receiver Schematic Diagram Manual
10. Overcoming Reading Challenges
  - Dealing with Digital Eye Strain
  - Minimizing Distractions
  - Managing Screen Time
11. Cultivating a Reading Routine Sanyo Ios P10n Portable Receiver Schematic Diagram Manual
  - Setting Reading Goals Sanyo Ios P10n Portable Receiver Schematic Diagram Manual
  - Carving Out Dedicated Reading Time
12. Sourcing Reliable Information of Sanyo Ios P10n Portable Receiver Schematic Diagram Manual
  - Fact-Checking eBook Content of Sanyo Ios P10n Portable Receiver Schematic Diagram Manual
  - Distinguishing Credible Sources
13. Promoting Lifelong Learning
  - Utilizing eBooks for Skill Development
  - Exploring Educational eBooks
14. Embracing eBook Trends
  - Integration of Multimedia Elements

- Interactive and Gamified eBooks

## **Sanyo Ios P10n Portable Receiver Schematic Diagram Manual Introduction**

Free PDF Books and Manuals for Download: Unlocking Knowledge at Your Fingertips In today's fast-paced digital age, obtaining valuable knowledge has become easier than ever. Thanks to the internet, a vast array of books and manuals are now available for free download in PDF format. Whether you are a student, professional, or simply an avid reader, this treasure trove of downloadable resources offers a wealth of information, conveniently accessible anytime, anywhere. The advent of online libraries and platforms dedicated to sharing knowledge has revolutionized the way we consume information. No longer confined to physical libraries or bookstores, readers can now access an extensive collection of digital books and manuals with just a few clicks. These resources, available in PDF, Microsoft Word, and PowerPoint formats, cater to a wide range of interests, including literature, technology, science, history, and much more. One notable platform where you can explore and download free Sanyo Ios P10n Portable Receiver Schematic Diagram Manual PDF books and manuals is the internet's largest free library. Hosted online, this catalog compiles a vast assortment of documents, making it a veritable goldmine of knowledge. With its easy-to-use website interface and customizable PDF generator, this platform offers a user-friendly experience, allowing individuals to effortlessly navigate and access the information they seek. The availability of free PDF books and manuals on this platform demonstrates its commitment to democratizing education and empowering individuals with the tools needed to succeed in their chosen fields. It allows anyone, regardless of their background or financial limitations, to expand their horizons and gain insights from experts in various disciplines. One of the most significant advantages of downloading PDF books and manuals lies in their portability. Unlike physical copies, digital books can be stored and carried on a single device, such as a tablet or smartphone, saving valuable space and weight. This convenience makes it possible for readers to have their entire library at their fingertips, whether they are commuting, traveling, or simply enjoying a lazy afternoon at home. Additionally, digital files are easily searchable, enabling readers to locate specific information within seconds. With a few keystrokes, users can search for keywords, topics, or phrases, making research and finding relevant information a breeze. This efficiency saves time and effort, streamlining the learning process and allowing individuals to focus on extracting the information they need. Furthermore, the availability of free PDF books and manuals fosters a culture of continuous learning. By removing financial barriers, more people can access educational resources and pursue lifelong learning, contributing to personal growth and professional development. This democratization of knowledge promotes intellectual curiosity and empowers individuals to become lifelong learners, promoting progress and innovation in various fields. It is worth noting that while accessing free Sanyo Ios P10n Portable Receiver Schematic Diagram Manual PDF books and manuals is convenient and cost-effective, it is vital to respect copyright laws and intellectual property

rights. Platforms offering free downloads often operate within legal boundaries, ensuring that the materials they provide are either in the public domain or authorized for distribution. By adhering to copyright laws, users can enjoy the benefits of free access to knowledge while supporting the authors and publishers who make these resources available. In conclusion, the availability of Sanyo Ios P10n Portable Receiver Schematic Diagram Manual free PDF books and manuals for download has revolutionized the way we access and consume knowledge. With just a few clicks, individuals can explore a vast collection of resources across different disciplines, all free of charge. This accessibility empowers individuals to become lifelong learners, contributing to personal growth, professional development, and the advancement of society as a whole. So why not unlock a world of knowledge today? Start exploring the vast sea of free PDF books and manuals waiting to be discovered right at your fingertips.

### **FAQs About Sanyo Ios P10n Portable Receiver Schematic Diagram Manual Books**

How do I know which eBook platform is the best for me? Finding the best eBook platform depends on your reading preferences and device compatibility. Research different platforms, read user reviews, and explore their features before making a choice. Are free eBooks of good quality? Yes, many reputable platforms offer high-quality free eBooks, including classics and public domain works. However, make sure to verify the source to ensure the eBook credibility. Can I read eBooks without an eReader? Absolutely! Most eBook platforms offer webbased readers or mobile apps that allow you to read eBooks on your computer, tablet, or smartphone. How do I avoid digital eye strain while reading eBooks? To prevent digital eye strain, take regular breaks, adjust the font size and background color, and ensure proper lighting while reading eBooks. What the advantage of interactive eBooks? Interactive eBooks incorporate multimedia elements, quizzes, and activities, enhancing the reader engagement and providing a more immersive learning experience. Sanyo Ios P10n Portable Receiver Schematic Diagram Manual is one of the best book in our library for free trial. We provide copy of Sanyo Ios P10n Portable Receiver Schematic Diagram Manual in digital format, so the resources that you find are reliable. There are also many Ebooks of related with Sanyo Ios P10n Portable Receiver Schematic Diagram Manual. Where to download Sanyo Ios P10n Portable Receiver Schematic Diagram Manual online for free? Are you looking for Sanyo Ios P10n Portable Receiver Schematic Diagram Manual PDF? This is definitely going to save you time and cash in something you should think about. If you trying to find then search around for online. Without a doubt there are numerous these available and many of them have the freedom. However without doubt you receive whatever you purchase. An alternate way to get ideas is always to check another Sanyo Ios P10n Portable Receiver Schematic Diagram Manual. This method for see exactly what may be included and adopt these ideas to your book. This site will almost certainly help you save time and effort, money and stress. If you are

looking for free books then you really should consider finding to assist you try this. Several of Sanyo Ios P10n Portable Receiver Schematic Diagram Manual are for sale to free while some are payable. If you arent sure if the books you would like to download works with for usage along with your computer, it is possible to download free trials. The free guides make it easy for someone to free access online library for download books to your device. You can get free download on free trial for lots of books categories. Our library is the biggest of these that have literally hundreds of thousands of different products categories represented. You will also see that there are specific sites catered to different product types or categories, brands or niches related with Sanyo Ios P10n Portable Receiver Schematic Diagram Manual. So depending on what exactly you are searching, you will be able to choose e books to suit your own need. Need to access completely for Campbell Biology Seventh Edition book? Access Ebook without any digging. And by having access to our ebook online or by storing it on your computer, you have convenient answers with Sanyo Ios P10n Portable Receiver Schematic Diagram Manual To get started finding Sanyo Ios P10n Portable Receiver Schematic Diagram Manual, you are right to find our website which has a comprehensive collection of books online. Our library is the biggest of these that have literally hundreds of thousands of different products represented. You will also see that there are specific sites catered to different categories or niches related with Sanyo Ios P10n Portable Receiver Schematic Diagram Manual So depending on what exactly you are searching, you will be able to choose ebook to suit your own need. Thank you for reading Sanyo Ios P10n Portable Receiver Schematic Diagram Manual. Maybe you have knowledge that, people have search numerous times for their favorite readings like this Sanyo Ios P10n Portable Receiver Schematic Diagram Manual, but end up in harmful downloads. Rather than reading a good book with a cup of coffee in the afternoon, instead they juggled with some harmful bugs inside their laptop. Sanyo Ios P10n Portable Receiver Schematic Diagram Manual is available in our book collection an online access to it is set as public so you can download it instantly. Our digital library spans in multiple locations, allowing you to get the most less latency time to download any of our books like this one. Merely said, Sanyo Ios P10n Portable Receiver Schematic Diagram Manual is universally compatible with any devices to read.

### **Find Sanyo Ios P10n Portable Receiver Schematic Diagram Manual :**

[numerical reasoning test answers](#)

[nuvi 1300lm manual](#)

**numerical methods aring ke bj ouml rck**

**numerical mathematics and computing solutions**

*nutrition guide for restaruants*

~~nutrition guide walmart deli hm salad~~



[numerical analysis burden edition solution manual](#)

[nutrition crossword guide to good food chapter 2](#)

[nvidia quadro fx 3500 user manual](#)

**nurse practitioner protocols california**

[nuwave precision induction cooktop manual](#)

*nursing collage healthcon*

*nuclear chemistry textbook chapter 28*

*nursing scavenger riddles*

*nutrition lutz edition*

### **Sanyo Ios P10n Portable Receiver Schematic Diagram Manual :**

*deutsch als fremdsprache daf daz unterrichten hueber* - Jun 12 2023

web apr 13 2005 kopiervorlagen für deutsch als fremdsprache daf daz kostenlose unterrichtsmaterialien namensschild

vorlage ausdrucken und auf pappe kleben mit

[deutsch als fremdsprache daf daz sprache unterrichten](#) - Nov 05 2022

web programm 2023 programm deutsch als fremdsprache datei laden blättern sie online schlauer unterrichten mit

deutschfuchs datei laden

**hueber gesamtprogramm 2023** - Jan 07 2023

web deutsch üben eine reihe von Übungsbüchern die sich mit grammatischen themen und wortschatz von der grundstufe bis

zur oberstufe beschäftigt und sich sowohl für

**deutsch als fremdsprache info das lehrerhandbuch hueber** - Oct 04 2022

web deutsch als fremdsprache daf daz lehrwerke themen aktuell info unterrichten lernen Überblick entdecken sie themen

aktuell lernziel kommunikation in alltagssituationen

**deutsch als fremdsprache daf daz unterrichten aktuelles** - Sep 03 2022

web der shop des hueber verlags bietet eine große vielfalt an materialien zum sprachen lernen und unterrichten lehrwerke

sprachkurse lektüren grammatik wortschatz

**themen aktuell info hueber** - Aug 02 2022

web das neue lehrwerk speziell für bamf berufssprachkurse kurs und arbeitsbuch inklusive code zur interaktiven version

maßgeschneidert für den einsatz in berufssprachkursen

**lernziel deutsch by wolfgang hieber open library** - Feb 25 2022

web lernziel deutsch deutsch als fremdsprache grundstufe 2 wolfgang hieber google books lernziel deutsch deutsch als fremdsprache grundstufe 2 volumes 1 2  
deutsch als fremdsprache exercises hueber de - Nov 24 2021

hueber verlag wikipedia - Jan 27 2022

web deutsch als fremdsprache verlag für deutsch reate luscher max beckmann str 4 81735 münchen tel 49 0 89 43 77 97 91 fax 49 0 89 43 77 97 90 e mail

**deutsch als fremdsprache daf daz unterrichten** - Jul 13 2023

web der digitale unterrichtsplaner auf hueber interaktiv macht die unterrichts vorbereitung einfach und komfortabel sie können auf eine fülle von lehrhilfen wie

**menschen lernen materialien zum download hueber** - Feb 08 2023

web schnelltrainer deutsch eine reihe von praktischen ringbüchern im taschenformat 10 x 15 cm der bequemste weg zur fehlerfreien grammatik mit tests jeweils auf der

hueber blog unterrichtspraxis daf daz deutsch als - Apr 29 2022

web aug 12 2011 lernziel deutsch deutsch als fremdsprache 1983 hueber in german 3190013616 9783190013616 aaaa preview only libraries near you worldcat 1

free max hueber verlag deutsch als fremdsprache - Oct 24 2021

**hueber verlag freude an sprachen** - Aug 14 2023

web als einer der weltweit führenden sprachenverlage bietet ihnen hueber vielfach erprobte lehrwerke und sprachkurse für deutsch als fremdsprache deutsch als

*lernziel deutsch deutsch als fremdsprache grundstufe 2* - Dec 26 2021

web max hueber verlag deutsch als fremdsprache studio 21 jun 22 2020 deutsch als fremdsprache in europa vom mittelalter bis zur barockzeit jun 03 2021 das

**hueber hueber shop sprachen unterrichten und lernen shop** - Jul 01 2022

web hueber blog unterrichtspraxis daf daz deutsch als fremdsprache blog getty images istock supatman chatgpt im praxistest für den daf unterricht 20 juni 2023

em neu 2008 hauptkurs deutsch als fremdsprache niveaustufe - Mar 29 2022

web der hueber verlag mit sitz in münchen ist ein internationales familienunternehmen und einer der führenden fremdsprachenverlage für lehr und unterrichtsmaterialien in der

**deutsch als fremdsprache daf daz lehrwerke** - May 11 2023

web für ihren unterricht finden sie hier in regelmäßigen abständen einen neuen lesetext zu aktuellen themen als kopiervorlage oder als pdf formular zur digitalen bearbeitung

*menschen deutsch als fremdsprache hueber* - Apr 10 2023

web für lernende materialien zum download audiodateien a1 berufstrainer zip archiv31 mb audiodateien a1 intensivtrainer zip archiv52 5 mb audiodateien a1 testtrainer zip

*hueber prüfungsvorbereitung deutsch als fremdsprache* - May 31 2022

web hueber 2008 foreign language study 160 pages 1 review reviews aren t verified but google checks for and removes fake content when it s identified voraussetzung em neu

**grammatik deutsch als fremdsprache daf daz** - Dec 06 2022

web praktische tipps und kopiervorlagen in den lehrerhandbüchern finden sie methodisch didaktische hinweise pdf datei 193 kb zu jeder kursbuchseite unterrichtspraktische

**deutsch als fremdsprache daf daz unterrichten hueber** - Mar 09 2023

web gleich hier in unseren katalogen für daf daz und fremdsprachen schauen sie rein und lassen sie sich inspirieren wer liest lernt mehr in unserem separaten

*international executive mba program bmi education* - Feb 26 2022

web iae paris sorbonne business school bmi business school istanbul iş birliğinde düzenlenen international executive mba programı université paris 1 pantheon sorbonne Üniversitesinin resmi diplomasına hak kazanmanızı sağlayan uluslararası geçerliliğe ve tanınırlığa sahip bir İşletme yüksek lisans programıdır

about us the british international school the bis - Jun 01 2022

web the british international school is a division of the british school istanbul and has a worldwide reputation for the education it provides it is a leading private international school in türkiye offering a cambridge international curriculum igcse and the international baccalaureate diploma programme we are an academic school and we

**texas 176 business education 6 12 exam secrets study guide texas** - Oct 05 2022

web texas 176 business education 6 12 exam secrets study guide texas test review for the texas examinations of educator standards softcover

*texas business education 176 accounting finance economics quizlet* - Aug 15 2023

web texas business education 176 accounting finance economics term 1 168 capitalism click the card to flip definition 1 168 an economic system characterized by private property competitive markets economic incentives and limited government involvement in the production distribution and pricing of goods and services

*texes176businesseducation pdf wikimid2 aapg* - Aug 03 2022

web texes 176 business education 6 12 exam secrets study guide texes core subjects 4 8 211 book online texes business and finance 6 12 276 secrets study guide texes test review for the texas examinations of educator standards

**6 sınıf türkçe soru bankası egitimhane com** - Dec 27 2021

web 6 sınıf türkçe Şarkılardan kafiye redif Örnekleri 6 sınıf türkçe sıfatlar kavram haritası 6 sınıf türkçe 40 soruluk genel tekrar cevaplı 6 sınıf türkçe metin türleri anlatım 6 sınıf türkçe hayal kurmak bedava romanı pdf sunum 6 sınıf türkçe dinleme metni İnsanlık Şarkısı ve soruları 6 sınıf türkçe sözcük yapısı basit türemiş birleşik

**texes 176 business education 6 12 exam secrets study** - Feb 09 2023

web includes practice test questions texes 176 business education 6 12 exam secrets helps y texes 176 business education 6 12 exam secrets study guide texes test review for the texas examinations of educator standards by texes exam secrets test prep team goodreads

**texes business education 6 12 176 flashcard study system texes** - Nov 06 2022

web abebooks com texes business education 6 12 176 flashcard study system texes test practice questions review for the texas examinations of educator standards cards 9781610729048 by texes exam secrets test prep team and a great selection of similar new used and collectible books available now at great prices

**texes business education 6 12 176 flashcard study system texes** - Dec 07 2022

web feb 14 2013 texes business education 6 12 176 flashcard study system texes test practice questions review for the texas examinations of educator standards cards texes exam secrets test prep team on amazon com free shipping on qualifying offers

**texes business education 6 12 176 quizlet** - Jun 13 2023

web texes business education 6 12 176 part 1 2 secrets study guide your key to the exam success part 1 2 accounting finance and economics accounting finance and economics assets 1 something that has or produces value owned 2 there

texes 176 business education pdf tax clone ortax org - Jul 02 2022

web texes 176 business education pdf introduction texes 176 business education pdf download only how to teach business subjects national business education quarterly 1958 principles of business education herbert

**texes business education 6 12 176 secrets study guide texes** - Apr 11 2023

web feb 14 2013 texes business education 6 12 176 secrets study guide texes test review for the texas examinations of educator standards texes exam secrets test prep team on amazon com free shipping on qualifying offers

**texes 176 business education 6 12 exam secrets texes test** - Sep 04 2022

web texes 176 business education 6 12 exam secrets texes test review for the texas examinations of educator standards

mometrix media llc amazon co uk books

**6 sınıf türkçe test egitimhane com** - Apr 30 2022

web açıklama 6 sınıf türkçe testi 6 sınıf türkçe test dosyası 6 sınıf genel soru bankası bölümünde bulunmaktadır 6 sınıf türkçe test eğitimhane 6

**texas business education 6 12 176 secrets study guide overdrive** - Mar 10 2023

web jun 17 2011 texas 176 business education 6 12 exam secrets includes the 5 secret keys to texas success time is your greatest enemy guessing is not guesswork practice smarter not harder prepare don t procrastinate test yourself introduction to the texas series including texas assessment explanation two kinds of texas

**free texas business education 6 12 176 practice questions** - Jul 14 2023

web free texas business education 6 12 176 practice questions mo media com texas get hundreds of texas business education 6 12 176 practice questions at mo media com your

texas 176 business education study guide terminology - Jan 08 2023

web the calculation for each individual employee for total gross pay withholding and deduction amounts and total net pay is set out in an employee earnings record and the totals from all employee earnings for the pay period are the source of the totals in the payroll register wants verses needs

**texas business education 6 12 176 secrets study guide quizlet** - May 12 2023

web start studying texas business education 6 12 176 secrets study guide your key to the exam success part 3 learn vocabulary terms and more with flashcards games and other study tools

academic calendar the british international school the bis - Mar 30 2022

web the british international school in istanbul has a worldwide reputation for the education it provides it is a leading private international school in turkey offering a modified english national curriculum igcse and the international baccalaureate diploma programme

texas176businesseducation download only intranet2 flintcooper - Jan 28 2022

web texas 176 business education 6 12 exam flashcard study system report of the commissioner of education made to the secretary of the interior for the year with accompanying papers resources in vocational education

stable relation a memoir of one woman s spirited journey - Jun 02 2023

web jan 5 2016 it s the memoir of my bittersweet transition from a mid life orphan to a modern pioneer woman building an entirely different kind of family farm stable relation appeals to all animal lovers midlife survivors and anyone whose parents had problems of their own

**stable relation a memoir of one woman s spirited journey** - Feb 27 2023

web stable relation a memoir of one woman s spirited journey home by way of the barn audiobook written by anna blake narrated by annette martin get instant access to all your favorite books

*stable relation a memoir of one woman s spirited journey* - Mar 31 2023

web jan 5 2016 read stable relation a memoir of one woman s spirited journey home by way of the barn by anna blake with a free trial read millions of ebooks and audiobooks on the web ipad iphone and android

**stable relation a memoir of one woman s spirited j pdf** - Jul 23 2022

web jun 3 2023 stable relation a memoir of one woman s spirited j 1 19 downloaded from uniport edu ng on june 3 2023 by

guest stable relation a memoir of one woman s spirited j recognizing the artifice ways to get this ebook stable relation a memoir of one woman s spirited j is additionally useful

stable relation a memoir of one woman s spirited j crmtest - Apr 19 2022

web 2 stable relation a memoir of one woman s spirited j 2022 11 20 young couple see their lives changed in the blink of an eye and learn to find love again us weekly five months pregnant on a flight to their babymoon allison pataki turned to her husband when he asked if his eye looked strange and watched him suddenly lose

**stable relation a memoir of one woman s spirited journ** - Sep 05 2023

web it s the memoir of my bittersweet transition from a mid life orphan to a modern pioneer woman building an entirely different kind of family farm stable relation appeals to all animal lovers midlife survivors and anyone whose parents had problems of their own

**stable relation a memoir of one woman s spirited journey home** - Dec 28 2022

web jul 1 2015 2016 national indie excellence award finalist when most women go through a mid life crisis they start a diet get plastic surgery or have an affair

**stable relation a memoir of one woman s spirited j** - Aug 04 2023

web personal struggle of one peri menopausal woman through the maze of women s health challenges with humor and understanding this book offers insight into the uniquely feminine perspective of women s health care as you enter menopause this laugh out loud memoir is relatable to any woman who has ever felt cursed by having a uterus

**stable relation a memoir of one woman s spirited journey** - May 01 2023

web stable relation appeals to all animal lovers midlife survivors and anyone whose parents had problems of their own it s told in a strong bittersweet voice sharing life and death on a small farm and the healing power of animals james herriot meets janette walls

**buy stable relation a memoir of one woman s spirited journey** - Sep 24 2022

web buy stable relation a memoir of one woman s spirited journey home by way of the barn paperback book by anna m blake

from as low as 4 48 buy 3 get 1 free our best sale yet

**download free stable relation a memoir of one woman s spirited j** - Aug 24 2022

web 1 stable relation a memoir of one woman s spirited j definition and examples of memoirs thoughtco dec 21 2021 web feb 12 2020 a memoir is a form of creative nonfiction in which an author recounts experiences from his or her life memoirs usually take the form of a narrative the terms memoir and autobiography are commonly used

stable relation a memoir of one woman s spirited j susie - May 21 2022

web statement stable relation a memoir of one woman s spirited j as with ease as review them wherever you are now newsweek raymond moley 1993 the advocate 2003 03 18 the advocate is a lesbian gay bisexual transgender lgbt monthly newsmagazine established in 1967 it is the oldest continuing lgbt publication in the united states

stable relation a memoir of one woman s spirited j askstage - Jun 21 2022

web stable relation a memoir of one woman s spirited j 1 stable relation a memoir of one woman s spirited j when people should go to the books stores search start by shop shelf by shelf it is in point of fact problematic this is why we offer the ebook compilations in this website it will unquestionably ease you to see guide stable relation a

stable relation a memoir of one woman s spirited journey - Feb 15 2022

web stable relation appeals to all animal lovers midlife survivors and anyone whose parents had problems of their own it s told in a strong bittersweet voice sharing life and death on a small farm and the healing power of animals james herriot meets janette walls

**stable relation a memoir of one woman s spirited journey home** - Oct 06 2023

web stable relation a memoir of one woman s spirited journey home by way of the barn blake anna m amazon sg books

stable relation a memoir of one woman s spirited journey - Oct 26 2022

web it s the memoir of my bittersweet transition from a mid life orphan to a modern pioneer woman building an entirely different kind of family farm stable relation appeals to all animal lovers midlife survivors and anyone whose parents had problems of their own

**stable relation a memoir of one woman s spirited journey home by way** - Jul 03 2023

web jul 5 2015 stable relation a memoir of one woman s spirited journey home by way of the barn kindle edition by anna blake author format kindle edition 4 8 4 8 out of 5 stars 442 ratings

stable relation a memoir of one woman s spirited journey - Jan 29 2023

web stable relation a memoir of one woman s spirited journey home by way of the barn ebook blake anna amazon com au kindle store

**stable relation a memoir of one woman s spirited journey alibris** - Nov 26 2022

web buy stable relation a memoir of one woman s spirited journey home by way of the barn by anna m blake online at alibris  
we have new and used copies available in 1 editions starting at 1 45 shop now

**quest for selfhood and liberty in manju kapur s a married woman** - Mar 19 2022

web middle class delhi woman brought up properly as befits a woman with large supplements of fear p 1 enters a traditional  
indian arranged marriage with hemant a foreign returned mba and a bank employee with a good parentage and property  
hemant s competing desires leads him to leave his job and enter a business