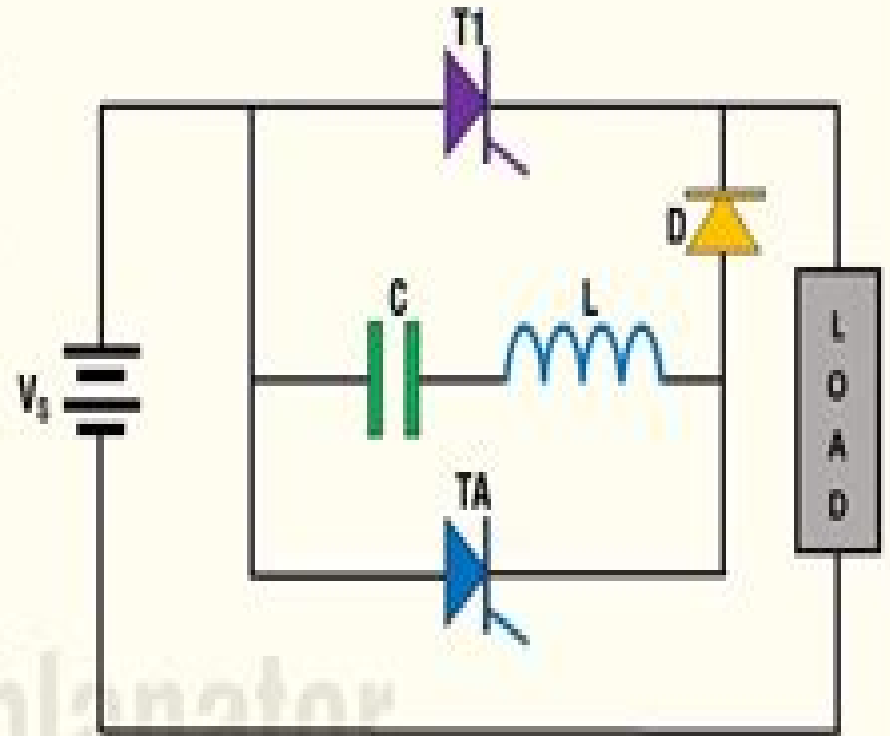
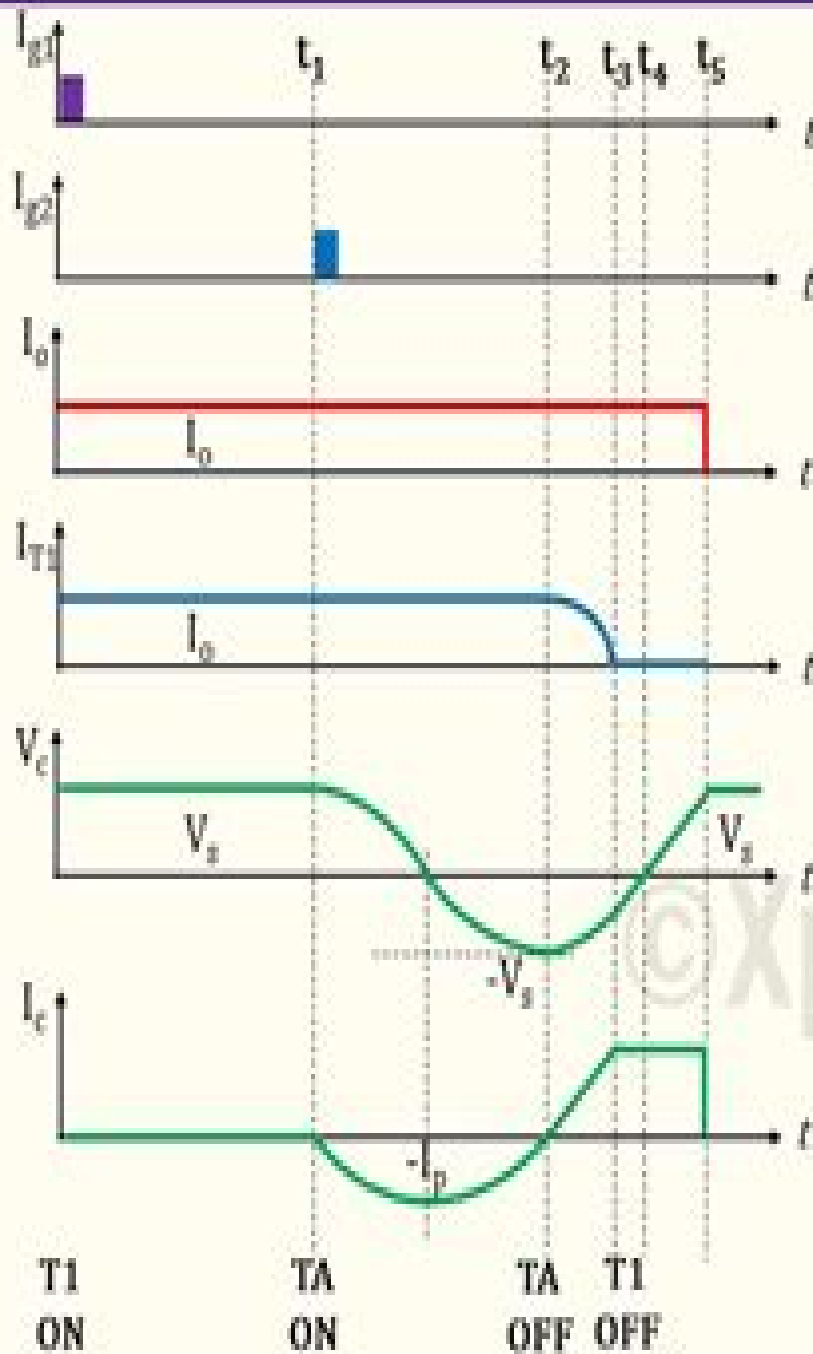


THYRISTOR COMMUTATION



CLASS B / RESONANT PULSE COMMUTATION

Scr Commutation Circuits

D Kirk

A decorative graphic element consisting of a horizontal light blue bar with a rounded right end, and a red circular glow behind it.

Scr Commutation Circuits:

Right here, we have countless book **Scr Commutation Circuits** and collections to check out. We additionally give variant types and furthermore type of the books to browse. The customary book, fiction, history, novel, scientific research, as well as various supplementary sorts of books are readily easy to use here.

As this Scr Commutation Circuits, it ends happening mammal one of the favored book Scr Commutation Circuits collections that we have. This is why you remain in the best website to see the amazing book to have.

https://letsgetcooking.org.uk/About/publication/Download_PDFS/service_manual_for_89_chevy_c1500.pdf

Table of Contents Scr Commutation Circuits

1. Understanding the eBook Scr Commutation Circuits
 - The Rise of Digital Reading Scr Commutation Circuits
 - Advantages of eBooks Over Traditional Books
2. Identifying Scr Commutation Circuits
 - Exploring Different Genres
 - Considering Fiction vs. Non-Fiction
 - Determining Your Reading Goals
3. Choosing the Right eBook Platform
 - Popular eBook Platforms
 - Features to Look for in an Scr Commutation Circuits
 - User-Friendly Interface
4. Exploring eBook Recommendations from Scr Commutation Circuits
 - Personalized Recommendations
 - Scr Commutation Circuits User Reviews and Ratings
 - Scr Commutation Circuits and Bestseller Lists
5. Accessing Scr Commutation Circuits Free and Paid eBooks
 - Scr Commutation Circuits Public Domain eBooks

- Scr Commutation Circuits eBook Subscription Services
- Scr Commutation Circuits Budget-Friendly Options
- 6. Navigating Scr Commutation Circuits eBook Formats
 - ePub, PDF, MOBI, and More
 - Scr Commutation Circuits Compatibility with Devices
 - Scr Commutation Circuits Enhanced eBook Features
- 7. Enhancing Your Reading Experience
 - Adjustable Fonts and Text Sizes of Scr Commutation Circuits
 - Highlighting and Note-Taking Scr Commutation Circuits
 - Interactive Elements Scr Commutation Circuits
- 8. Staying Engaged with Scr Commutation Circuits
 - Joining Online Reading Communities
 - Participating in Virtual Book Clubs
 - Following Authors and Publishers Scr Commutation Circuits
- 9. Balancing eBooks and Physical Books Scr Commutation Circuits
 - Benefits of a Digital Library
 - Creating a Diverse Reading Collection Scr Commutation Circuits
- 10. Overcoming Reading Challenges
 - Dealing with Digital Eye Strain
 - Minimizing Distractions
 - Managing Screen Time
- 11. Cultivating a Reading Routine Scr Commutation Circuits
 - Setting Reading Goals Scr Commutation Circuits
 - Carving Out Dedicated Reading Time
- 12. Sourcing Reliable Information of Scr Commutation Circuits
 - Fact-Checking eBook Content of Scr Commutation Circuits
 - Distinguishing Credible Sources
- 13. Promoting Lifelong Learning
 - Utilizing eBooks for Skill Development
 - Exploring Educational eBooks

14. Embracing eBook Trends

- Integration of Multimedia Elements
- Interactive and Gamified eBooks

Scr Commutation Circuits Introduction

In the digital age, access to information has become easier than ever before. The ability to download Scr Commutation Circuits has revolutionized the way we consume written content. Whether you are a student looking for course material, an avid reader searching for your next favorite book, or a professional seeking research papers, the option to download Scr Commutation Circuits has opened up a world of possibilities. Downloading Scr Commutation Circuits provides numerous advantages over physical copies of books and documents. Firstly, it is incredibly convenient. Gone are the days of carrying around heavy textbooks or bulky folders filled with papers. With the click of a button, you can gain immediate access to valuable resources on any device. This convenience allows for efficient studying, researching, and reading on the go. Moreover, the cost-effective nature of downloading Scr Commutation Circuits has democratized knowledge. Traditional books and academic journals can be expensive, making it difficult for individuals with limited financial resources to access information. By offering free PDF downloads, publishers and authors are enabling a wider audience to benefit from their work. This inclusivity promotes equal opportunities for learning and personal growth. There are numerous websites and platforms where individuals can download Scr Commutation Circuits. These websites range from academic databases offering research papers and journals to online libraries with an expansive collection of books from various genres. Many authors and publishers also upload their work to specific websites, granting readers access to their content without any charge. These platforms not only provide access to existing literature but also serve as an excellent platform for undiscovered authors to share their work with the world. However, it is essential to be cautious while downloading Scr Commutation Circuits. Some websites may offer pirated or illegally obtained copies of copyrighted material. Engaging in such activities not only violates copyright laws but also undermines the efforts of authors, publishers, and researchers. To ensure ethical downloading, it is advisable to utilize reputable websites that prioritize the legal distribution of content. When downloading Scr Commutation Circuits, users should also consider the potential security risks associated with online platforms. Malicious actors may exploit vulnerabilities in unprotected websites to distribute malware or steal personal information. To protect themselves, individuals should ensure their devices have reliable antivirus software installed and validate the legitimacy of the websites they are downloading from. In conclusion, the ability to download Scr Commutation Circuits has transformed the way we access information. With the convenience, cost-effectiveness, and accessibility it offers, free PDF downloads have become a popular choice for students, researchers, and book lovers worldwide. However, it is

crucial to engage in ethical downloading practices and prioritize personal security when utilizing online platforms. By doing so, individuals can make the most of the vast array of free PDF resources available and embark on a journey of continuous learning and intellectual growth.

FAQs About Scr Commutation Circuits Books

How do I know which eBook platform is the best for me? Finding the best eBook platform depends on your reading preferences and device compatibility. Research different platforms, read user reviews, and explore their features before making a choice. Are free eBooks of good quality? Yes, many reputable platforms offer high-quality free eBooks, including classics and public domain works. However, make sure to verify the source to ensure the eBook credibility. Can I read eBooks without an eReader? Absolutely! Most eBook platforms offer web-based readers or mobile apps that allow you to read eBooks on your computer, tablet, or smartphone. How do I avoid digital eye strain while reading eBooks? To prevent digital eye strain, take regular breaks, adjust the font size and background color, and ensure proper lighting while reading eBooks. What the advantage of interactive eBooks? Interactive eBooks incorporate multimedia elements, quizzes, and activities, enhancing the reader engagement and providing a more immersive learning experience. Scr Commutation Circuits is one of the best book in our library for free trial. We provide copy of Scr Commutation Circuits in digital format, so the resources that you find are reliable. There are also many Ebooks of related with Scr Commutation Circuits. Where to download Scr Commutation Circuits online for free? Are you looking for Scr Commutation Circuits PDF? This is definitely going to save you time and cash in something you should think about.

Find Scr Commutation Circuits :

service manual for 89 chevy c1500

service manual blue giant equipment corporation

service manual 1997 f150

[service manual fg25t forklift](#)

[service manual for cat 268b](#)

service manual bmw z4

service manual for 390 gx engines

service manual 6 hp mercury outboard

service manual engine qsk23
service guide travelmate 4002
service manual canon a540
service manual audi v8
service manual 1994 honda night hawk 250
service manual 2015ford f250 super duty
service manual for 1552 massey ferguson tractor

Scr Commutation Circuits :

Ducati Diavel Owners Manual: Immobilizer override procedure Place the motorcycle on the rear service stand and engage the 1st gear. Remove the clip (6). Using a suitable socket wrench, loosen the wheel nut (1). Fully ... Ducati Diavel Owner's Manual [Page 93] Ducati Diavel Manual Online: Immobilizer Override Procedure. E This procedure makes it possible to "temporarily" turn on the motorcycle if the HF (Hands ... Immobilizer Override Procedure - Ducati Diavel Workshop Manual Ducati Diavel Manual Online: Immobilizer Override Procedure. This procedure makes it possible to "temporarily" turn on the motorcycle if the HF (Hands ... Ducati Diavel Service Manual: Immobilizer override procedure This procedure makes it possible to "temporarily" turn on the motorcycle if the hf (hands free) system is not working. Ducati Immobilizer Systems All vehicles with electronic ... May 3, 2018 — The electronic codes that allow overriding the Immobilizer are stored in different control units according to the system used (Instrument panel ... Ducati Monster 696 796 and 1100 immobilizer override Immobilizer removal Nov 23, 2010 — How do I remove the Immobilizer from my bike? No matter what I do the damn thing just says error Immo 37.5, I have put the stock switch ... is it possible to by-pass the engine immobilizer system Aug 14, 2008 — With this confirmed a new coded key can be issued. It would seem that Ducati could provide a key once the ownership of the bike is confirmed by ... How to program the Ducati immobilizer - YouTube Insight into this stupid immobilizer.... Aug 19, 2020 — I dont really want to have to go into heavy mods just to bypass it, would prefer not to have to get a new dash and whatnot to get the code. 2004 us national chemistry olympiad - local section exam Local Sections may use an answer sheet of their own choice. The full examination consists of 60 multiple-choice questions representing a fairly wide range of ... 2004 U. S. NATIONAL CHEMISTRY OLYMPIAD Part I of this test is designed to be taken with a Scantron® answer sheet on which the student records his or her responses. Only this. Scantron sheet is graded ... Organic-Chemistry-ACS-sample-Questions.pdf ACS Examination guide (Selected Questions). Organic Chemistry. Nomenclature. 1. What is the IUPAC names for this compound? a) 1-tert-butyl-2-butanol b) 5,5 ... National Norms | ACS Exams High School Exams · General Chemistry Exams · General Organic Biochemistry Exams · Analytical Chemistry Exams · Organic Chemistry Exams · Physical Chemistry

Exams ... ACS Exams Questions: 70. Time: 110. Stock Code: OR16. Title: 2016 Organic Chemistry Exam - Exam for two-semester Organic Chemistry. Norm: View PDF. Questions: 70. Time: ... Acs Review 2004 | PDF Acs Review 2004 - Free ebook download as PDF File (.pdf) or read book online for free. Organic Chemistry 2004 ACS. ACS Exam Review 2004-4-23-21 - YouTube ACS Organic Chemistry I Final Exam Review Session - YouTube Exam Archives: 3311 (OChem I) ACS organic chem final May 1, 2007 — I am taking my organic chem final next week. Its national exam written by ACS. Just wonder have any of you taken it before. How hard is it? Introduction to Social Work, Fourth Edition This engaging text gives readers a practical guide to the many ways in which social workers effect change in their communities and the world. The authors offer ... Introduction to Social Work, Fourth Edition: The People's ... This engaging text gives readers a practical guide to the many ways in which social workers effect change in their communities and the world. The authors offer ... Empowerment Series: An Introduction to the Profession of ... Get an overview of the social work profession and learn about the role of the social worker in the social welfare system with Segal, Gerdes and Steiner's text. Introduction to Social Work, Fourth Edition The People's ... Book Details. Full Title: Introduction to Social Work, Fourth Edition: The People's Profession. Edition: 4th edition. ISBN-13: 978-0190615666. Format: Paperback ... Introduction to Social Work, Fourth Edition: The People's ... The authors offer an overview and history of the profession; introduce readers to the practice of social work at the micro, mezzo, and macro level; and finally ... Introduction to Social Work, Fourth Edition - Ira Colby The authors offer an overview and history of the profession; introduce readers to the practice of social work at the micro, mezzo, and macro level; and finally ... Introduction to Social Work, Fourth Edition: The People's ... Introduction to Social Work, Fourth Edition: The People's Profession ; Author: Ira Colby ; Publisher: Oxford University Press ; Release Date: 2015 ; ISBN-13: ... Introduction to Social Work, Fourth Edition - Paperback The authors offer an overview and history of the profession; introduce readers to the practice of social work at the micro, mezzo, and macro level; and finally ... An Introduction to the Profession of Social Work Assess how social welfare and economic policies impact the delivery of and access to social services. 4, 7, 10, 11 c. Apply critical thinking to analyze, ... Introduction to Social Work, Fourth Edition: The ... Introduction to Social Work, Fourth Edition: The People's Profession (4th Edition). by Sophia F. Dziegielewski, Ira Colby. Paperback, 480 Pages, Published ...