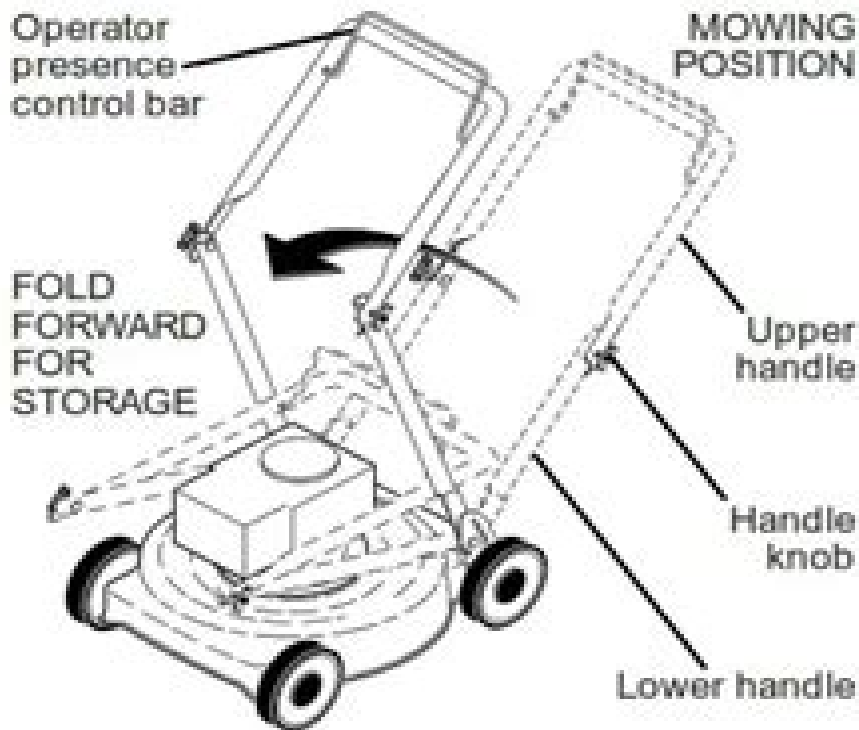
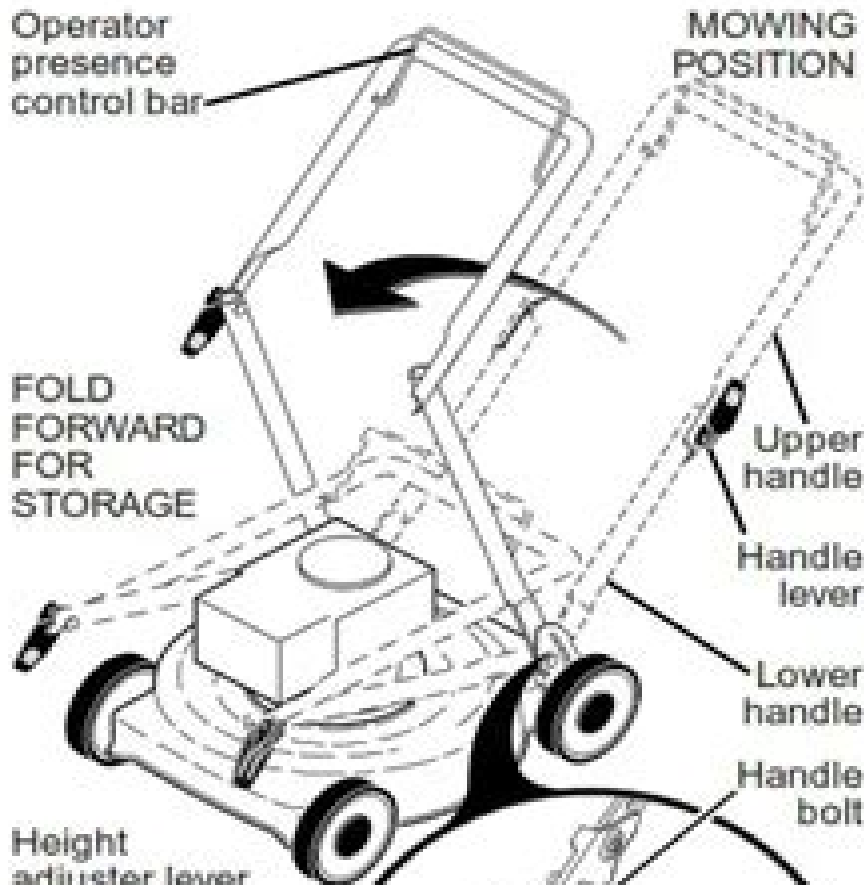
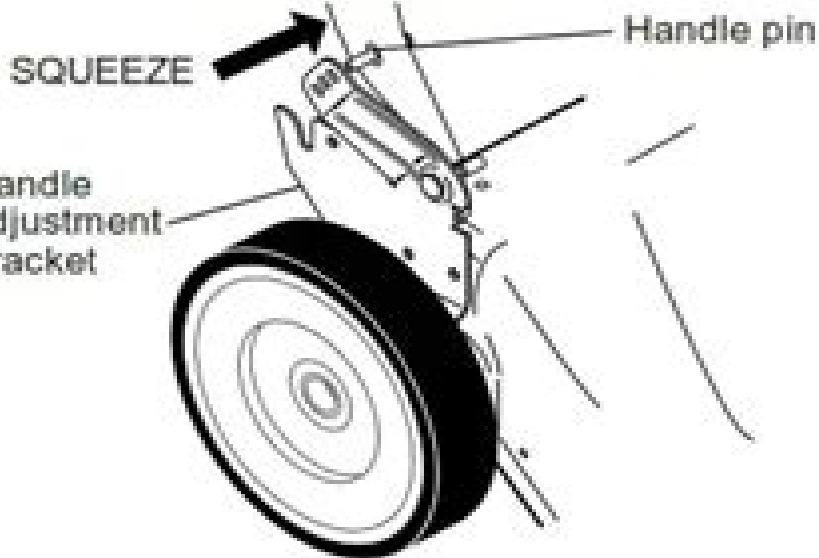


1 POSITION "QUICK"



Poulan Pro Auto Walk Manual

Thomas Griffiths



Poulan Pro Auto Walk Manual:

Popular Science ,1967-10 Popular Science gives our readers the information and tools to improve their technology and their world The core belief that Popular Science and our readers share The future is going to be better and science and technology are the driving forces that will help make it better **AMJ, Agricultural Machinery Journal** ,1975

Popular Science ,1979 Classified Index of National Labor Relations Board Decisions and Related Court Decisions ,1977 *Indiana Farmers Guide* ,1960 Progressive Farmer ,1976 Popular Science Monthly and World Advance ,1967 Farmers and Consumers Market Bulletin ,2011

Yeah, reviewing a books **Poulan Pro Auto Walk Manual** could accumulate your close contacts listings. This is just one of the solutions for you to be successful. As understood, expertise does not recommend that you have extraordinary points.

Comprehending as without difficulty as treaty even more than extra will allow each success. next to, the message as with ease as acuteness of this Poulan Pro Auto Walk Manual can be taken as with ease as picked to act.

<https://letsgetcooking.org.uk/About/book-search/index.jsp/wordly%20wise%203000%20book%207%20lesson%20.pdf>

Table of Contents Poulan Pro Auto Walk Manual

1. Understanding the eBook Poulan Pro Auto Walk Manual
 - The Rise of Digital Reading Poulan Pro Auto Walk Manual
 - Advantages of eBooks Over Traditional Books
2. Identifying Poulan Pro Auto Walk Manual
 - Exploring Different Genres
 - Considering Fiction vs. Non-Fiction
 - Determining Your Reading Goals
3. Choosing the Right eBook Platform
 - Popular eBook Platforms
 - Features to Look for in an Poulan Pro Auto Walk Manual
 - User-Friendly Interface
4. Exploring eBook Recommendations from Poulan Pro Auto Walk Manual
 - Personalized Recommendations
 - Poulan Pro Auto Walk Manual User Reviews and Ratings
 - Poulan Pro Auto Walk Manual and Bestseller Lists
5. Accessing Poulan Pro Auto Walk Manual Free and Paid eBooks
 - Poulan Pro Auto Walk Manual Public Domain eBooks
 - Poulan Pro Auto Walk Manual eBook Subscription Services

- Poulan Pro Auto Walk Manual Budget-Friendly Options
- 6. Navigating Poulan Pro Auto Walk Manual eBook Formats
 - ePub, PDF, MOBI, and More
 - Poulan Pro Auto Walk Manual Compatibility with Devices
 - Poulan Pro Auto Walk Manual Enhanced eBook Features
- 7. Enhancing Your Reading Experience
 - Adjustable Fonts and Text Sizes of Poulan Pro Auto Walk Manual
 - Highlighting and Note-Taking Poulan Pro Auto Walk Manual
 - Interactive Elements Poulan Pro Auto Walk Manual
- 8. Staying Engaged with Poulan Pro Auto Walk Manual
 - Joining Online Reading Communities
 - Participating in Virtual Book Clubs
 - Following Authors and Publishers Poulan Pro Auto Walk Manual
- 9. Balancing eBooks and Physical Books Poulan Pro Auto Walk Manual
 - Benefits of a Digital Library
 - Creating a Diverse Reading Collection Poulan Pro Auto Walk Manual
- 10. Overcoming Reading Challenges
 - Dealing with Digital Eye Strain
 - Minimizing Distractions
 - Managing Screen Time
- 11. Cultivating a Reading Routine Poulan Pro Auto Walk Manual
 - Setting Reading Goals Poulan Pro Auto Walk Manual
 - Carving Out Dedicated Reading Time
- 12. Sourcing Reliable Information of Poulan Pro Auto Walk Manual
 - Fact-Checking eBook Content of Poulan Pro Auto Walk Manual
 - Distinguishing Credible Sources
- 13. Promoting Lifelong Learning
 - Utilizing eBooks for Skill Development
 - Exploring Educational eBooks
- 14. Embracing eBook Trends

- Integration of Multimedia Elements
- Interactive and Gamified eBooks

Poulan Pro Auto Walk Manual Introduction

Free PDF Books and Manuals for Download: Unlocking Knowledge at Your Fingertips In today's fast-paced digital age, obtaining valuable knowledge has become easier than ever. Thanks to the internet, a vast array of books and manuals are now available for free download in PDF format. Whether you are a student, professional, or simply an avid reader, this treasure trove of downloadable resources offers a wealth of information, conveniently accessible anytime, anywhere. The advent of online libraries and platforms dedicated to sharing knowledge has revolutionized the way we consume information. No longer confined to physical libraries or bookstores, readers can now access an extensive collection of digital books and manuals with just a few clicks. These resources, available in PDF, Microsoft Word, and PowerPoint formats, cater to a wide range of interests, including literature, technology, science, history, and much more. One notable platform where you can explore and download free Poulan Pro Auto Walk Manual PDF books and manuals is the internet's largest free library. Hosted online, this catalog compiles a vast assortment of documents, making it a veritable goldmine of knowledge. With its easy-to-use website interface and customizable PDF generator, this platform offers a user-friendly experience, allowing individuals to effortlessly navigate and access the information they seek. The availability of free PDF books and manuals on this platform demonstrates its commitment to democratizing education and empowering individuals with the tools needed to succeed in their chosen fields. It allows anyone, regardless of their background or financial limitations, to expand their horizons and gain insights from experts in various disciplines. One of the most significant advantages of downloading PDF books and manuals lies in their portability. Unlike physical copies, digital books can be stored and carried on a single device, such as a tablet or smartphone, saving valuable space and weight. This convenience makes it possible for readers to have their entire library at their fingertips, whether they are commuting, traveling, or simply enjoying a lazy afternoon at home. Additionally, digital files are easily searchable, enabling readers to locate specific information within seconds. With a few keystrokes, users can search for keywords, topics, or phrases, making research and finding relevant information a breeze. This efficiency saves time and effort, streamlining the learning process and allowing individuals to focus on extracting the information they need. Furthermore, the availability of free PDF books and manuals fosters a culture of continuous learning. By removing financial barriers, more people can access educational resources and pursue lifelong learning, contributing to personal growth and professional development. This democratization of knowledge promotes intellectual curiosity and empowers individuals to become lifelong learners, promoting progress and innovation in various fields. It is worth noting that while accessing free Poulan Pro Auto Walk Manual PDF books and manuals is convenient and cost-effective, it is vital to respect

copyright laws and intellectual property rights. Platforms offering free downloads often operate within legal boundaries, ensuring that the materials they provide are either in the public domain or authorized for distribution. By adhering to copyright laws, users can enjoy the benefits of free access to knowledge while supporting the authors and publishers who make these resources available. In conclusion, the availability of Poulan Pro Auto Walk Manual free PDF books and manuals for download has revolutionized the way we access and consume knowledge. With just a few clicks, individuals can explore a vast collection of resources across different disciplines, all free of charge. This accessibility empowers individuals to become lifelong learners, contributing to personal growth, professional development, and the advancement of society as a whole. So why not unlock a world of knowledge today? Start exploring the vast sea of free PDF books and manuals waiting to be discovered right at your fingertips.

FAQs About Poulan Pro Auto Walk Manual Books

How do I know which eBook platform is the best for me? Finding the best eBook platform depends on your reading preferences and device compatibility. Research different platforms, read user reviews, and explore their features before making a choice. Are free eBooks of good quality? Yes, many reputable platforms offer high-quality free eBooks, including classics and public domain works. However, make sure to verify the source to ensure the eBook credibility. Can I read eBooks without an eReader? Absolutely! Most eBook platforms offer webbased readers or mobile apps that allow you to read eBooks on your computer, tablet, or smartphone. How do I avoid digital eye strain while reading eBooks? To prevent digital eye strain, take regular breaks, adjust the font size and background color, and ensure proper lighting while reading eBooks. What the advantage of interactive eBooks? Interactive eBooks incorporate multimedia elements, quizzes, and activities, enhancing the reader engagement and providing a more immersive learning experience. Poulan Pro Auto Walk Manual is one of the best book in our library for free trial. We provide copy of Poulan Pro Auto Walk Manual in digital format, so the resources that you find are reliable. There are also many Ebooks of related with Poulan Pro Auto Walk Manual. Where to download Poulan Pro Auto Walk Manual online for free? Are you looking for Poulan Pro Auto Walk Manual PDF? This is definitely going to save you time and cash in something you should think about. If you trying to find then search around for online. Without a doubt there are numerous these available and many of them have the freedom. However without doubt you receive whatever you purchase. An alternate way to get ideas is always to check another Poulan Pro Auto Walk Manual. This method for see exactly what may be included and adopt these ideas to your book. This site will almost certainly help you save time and effort, money and stress. If you are looking for free books then you really should consider finding to assist you try this. Several of Poulan Pro Auto Walk Manual are for sale to free while some are payable. If you arent sure if the books you

would like to download works with for usage along with your computer, it is possible to download free trials. The free guides make it easy for someone to free access online library for download books to your device. You can get free download on free trial for lots of books categories. Our library is the biggest of these that have literally hundreds of thousands of different products categories represented. You will also see that there are specific sites catered to different product types or categories, brands or niches related with Poulan Pro Auto Walk Manual. So depending on what exactly you are searching, you will be able to choose e books to suit your own need. Need to access completely for Campbell Biology Seventh Edition book? Access Ebook without any digging. And by having access to our ebook online or by storing it on your computer, you have convenient answers with Poulan Pro Auto Walk Manual To get started finding Poulan Pro Auto Walk Manual, you are right to find our website which has a comprehensive collection of books online. Our library is the biggest of these that have literally hundreds of thousands of different products represented. You will also see that there are specific sites catered to different categories or niches related with Poulan Pro Auto Walk Manual So depending on what exactly you are searching, you will be able to choose ebook to suit your own need. Thank you for reading Poulan Pro Auto Walk Manual. Maybe you have knowledge that, people have search numerous times for their favorite readings like this Poulan Pro Auto Walk Manual, but end up in harmful downloads. Rather than reading a good book with a cup of coffee in the afternoon, instead they juggled with some harmful bugs inside their laptop. Poulan Pro Auto Walk Manual is available in our book collection an online access to it is set as public so you can download it instantly. Our digital library spans in multiple locations, allowing you to get the most less latency time to download any of our books like this one. Merely said, Poulan Pro Auto Walk Manual is universally compatible with any devices to read.

Find Poulan Pro Auto Walk Manual :

wordly wise 3000 book 7 lesson 2

wordwise chapter 15 energy

~~worksheet 1 word and skeleton equations~~

workshop manual fiat bravo

working with texts ronald carter

word equations write and balance the following chemical equations62

~~workshop manual focus mk2 rs~~

~~worksafe victoria manual handling quiz~~

wood screws nails hard hats book english edition

workshop manual for 135 massey ferguson tractor

[woods 6500 backhoe parts manual](#)

wooden sunflower template to cut out

[workshop manual for 1hz toyota](#)

[work and power problems](#)

workshop manual for nissan b140

Poulan Pro Auto Walk Manual :

excel 2007 tutorials free download and software reviews - Nov 28 2022

web forget huge books or joining a computer class for learning excel 2007 our programs are fast paced learning materials everything is taught crystal clear using colorful animation and pictures

free download office excel 2007 full version - Dec 18 2021

web oct 18 2022 this article aims to discuss the matter of downloading microsoft excel for free even though the office suite version 2007 has been discontinued additionally we will suggest alternative solutions to this issue

[microsoft excel 2007 tutorial free online baycon group](#) - May 03 2023

web you can use this free online tutorial to learn microsoft excel 2007 click here to start lesson 1 entering text and numbers microsoft excel is an electronic spreadsheet that runs on a personal computer you can use it to organize your data into rows and columns

how to download wps office 2021 step by step - Nov 16 2021

web sep 29 2023 windows step 1 go to the wps office website and find the download link for the accessible version of wps office 2021 step 2 click the download button to start downloading the installation file for wps office 2021 step 3 once the download is finished locate the installation file and double click on it to begin the installation process

ms excel 2007 tutorial part 1 youtube - Oct 16 2021

web jan 24 2019 ms excel 2007 full tutorial part 1 basic to advance upci computer education upciss how to download and instal ms office 2007 video

ms excel 2007 basics tutorial complete techonthenet - Mar 01 2023

web tutorial summary excel 2007 is a version of excel developed by microsoft that runs on the windows platform this excel 2007 tutorial covered the basic concepts of spreadsheets such as cells rows columns and then expanded on the more advanced excel topics such as sheets hyperlinks ranges each version of excel can look and feel

this is a summary of microsoft excel 2007 free download full version - Feb 17 2022

web best 10 templates for invoice in excel free download 2022 when a business wants to receive its payment within time and

in full so they are supposed to issue a proper and accurate invoice for their clients individuals are now in the need of formula in the form of template for invoice in excel format in order to record their receivables

excel 2007 tutorial a comprehensive guide to excel for anyone excel - Apr 02 2023

web apr 1 2015 an easy to follow step by step tutorial outlining everything you need to know for the corporate environment on excel learn excel in just a about one hour c

free microsoft office tutorial microsoft office 2007 full course udemy - Oct 28 2022

web microsoft office 2007 full course free tutorial 4 1 62 ratings 3 755 students 2hr 37min of on demand video created by online ahmed ali urdu what you ll learn course content reviews instructors take a great knowledge and success job office work beginner to advance show more online ahmed ali 3 7 instructor rating 216 reviews 13 376 students

introduction to microsoft excel 2007 for absolute beginners - Jul 05 2023

web mar 24 2012 this excellent tutorial has been created by a professional excel tutor it has been created for absolute beginners to microsoft excel

microsoft excel 2007 free download and software reviews - Jul 25 2022

web download microsoft excel 2007 for windows to create and format spreadsheets full specifications what s new in version general release july 6 2011

download microsoft office excel 2007 free full version - May 23 2022

web feb 27 2011 download microsoft office excel 2007 free full version tranpost8531 follow excel enables you to turn data into information with powerful tools to analyze communicate and share results excel can help you work better in teams and help protect and control access to your work

excel video training microsoft support - Jun 04 2023

web a list of excel training from entry level to advanced skills plus templates and other resources

microsoft excel 2007 tutorials full version uniport edu - Jun 23 2022

web jul 11 2023 microsoft excel 2007 tutorials full version 2 13 downloaded from uniport edu ng on july 11 2023 by guest who wants to learn version 2007 quickly and efficiently features new to excel 2007 are emphasized as are complex features that though available in earlier versions of excel were not readily accessible the book uses

free excel 2007 tutorial at gcfglobal - Oct 08 2023

web in this free excel 2007 tutorial learn how to create formulas and charts use functions format cells and do more with your spreadsheets

microsoft excel 2007 california state university northridge - Sep 07 2023

web 818 677 1700 training csun edu csun edu it training introduction excel 2007 is a very powerful and capable program

however unless you understand the basics of using excel you won t get much out of it this guide introduces you to the basics of excel so that you can begin to make use of this popular spreadsheet program

microsoft excel 2007 tutorials full version pdf mx skylightframe - Aug 26 2022

web microsoft office excel 2007 comprehensive concepts and techniques provides a project based step by step approach to successfully teach students microsoft excel 2007 skills

how to use microsoft excel 2007 as a complete beginner - Dec 30 2022

web may 6 2010 calculating formulas and data analysis 2 rows columns cells worksheets sheet tab names workbook 3 file extensions file types xlsx xlsx xls xlsb 4 excel 2007 ribbons 5 excel 2007 quick access tool bar qat 6 how to find features in excel 2007

excel basics microsoft office 2007 university of - Aug 06 2023

web version and computer that you re using but microsoft excel will function in the same basic ways there are other spreadsheet programs out there including google spreadsheets part of google docs openoffice calc apple iworks numbers lotus 1 2 3 and wordperfect quattro

microsoft excel 2007 free download full version cnet download - Jan 19 2022

web microsoft excel 2007 free download full version free download and many more programs

download microsoft office excel 2007 for free windows - Mar 21 2022

web download 4 1 on 57 votes it will bring the tabbed user interface to microsoft office 2003 2007 and 2010 includes word excel and powerpoint interface to microsoft office 2003 2007 and 2010 includes word excel security update for microsoft office excel 2007 kb2597161

excel 2007 tutorial for beginners how to use excel part 1 - Jan 31 2023

web jun 29 2017 excel 2007 tutorial for beginners this is a microsoft excel 2007 basic tutorial for beginners in this basic course excel video tutorial you get the overview of the application screen cell

microsoft office 2007 download - Apr 21 2022

web the microsoft office 2007 12 0 4518 1014 demo is available to all software users as a free download with potential restrictions and is not necessarily the full version of this software we have determined microsoft office 2007 to have reached end of life and no further updates are to be expected

microsoft excel 2007 microsoft office - Sep 26 2022

web get the latest information about microsoft excel 2007 including product features end of life information download information and more skip to main content microsoft

directed section characteristics of animals pdf test downing co - May 12 2023

web specifically of animals used in exhibitions acts and resolves passed by the general court of massachusetts noaa technical report nmfs the physiology of fishes fourth edition plants and animals directed section characteristics of animals downloaded from test downing co uk by guest tommy amaya a measure of knowledge mcfarland

[directed section characteristics of animals book](#) - Aug 15 2023

web we give directed section characteristics of animals and numerous ebook collections from fictions to scientific research in any way accompanied by them is this directed section characteristics of animals that can be your partner foodborne

enterobacteriaceae of animal origin epidemic characteristics of drug

intro to animal behavior article ecology khan academy - Feb 26 2022

web animal behavior includes all the ways animals interact with other organisms and the physical environment behavior can also be defined as a change in the activity of an organism in response to a stimulus an external or internal cue or combo of cues

10 1 animal characteristics biology libretexts - Sep 04 2022

web most animals share these characteristics sensory organs movement and internal digestion all of them are illustrated in figure below animals can detect environmental stimuli such as light sound and touch

animal characteristics an overview sciencedirect topics - Dec 27 2021

web in the present section attention is paid to the variation in animal characteristics which may be induced by differences in housing conditions in chapter 10 a series of examples is given how physical and social aspects of the living environment may cause differences in the basal condition and responsiveness of the experimental animal

the 8 main characteristics of animals thoughtco - Oct 05 2022

web may 15 2019 what exactly is an animal the question seems simple enough but the answer requires an understanding of some of the more obscure characteristics of organisms such as multicellularity heterotrophy motility and other hard to pronounce words used by biologists

directed section characteristics of animals pdf pdf - Apr 11 2023

web language an emotional quest through directed section characteristics of animals pdf in a digitally driven earth where displays reign great and immediate conversation drowns out the subtleties of language the profound strategies and emotional subtleties hidden within phrases often move unheard yet set within the pages of directed section

20 1 features of the animal kingdom biology libretexts - Jan 28 2022

web aug 19 2021 section summary animals constitute a diverse kingdom of organisms although animals range in complexity from simple sea sponges to human beings most members share certain features animals are eukaryotic multicellular heterotrophic organisms that ingest their food and usually develop into motile creatures with a fixed

4 1 some general features of animals biology libretexts - Aug 03 2022

web dec 15 2021 although animals range in complexity from simple sea sponges to human beings most members of the animal kingdom share certain features animals are eukaryotic multicellular heterotrophic organisms that ingest their food and usually develop into motile creatures with a fixed body plan

directed section characteristics of animals uniport edu - Nov 06 2022

web jun 26 2023 right here we have countless book directed section characteristics of animals and collections to check out we additionally meet the expense of variant types and moreover type of the books to browse

characteristics of animals britannica - Jul 02 2022

web animal any member of the kingdom animalia see taxonomy a group of many celled organisms that differ from members of the two other many celled kingdoms the plants and the fungi see fungus in several ways animals have developed muscles making them capable of spontaneous movement see locomotion more elaborate sensory and

directed section characteristics of animals - Dec 07 2022

web section characteristics of animals directed ch 27 gabbel de april 14th 2018 download and read section characteristics of animals directed ch 27 section characteristics of animals directed ch 27 introducing a new hobby for other people may inspire them to join with you

characteristics of animals overview study com - Apr 30 2022

web jan 31 2022 learn about the characteristics of animals that are shared by all animals study the eating habits animal cells and reproduction of animals with

directed section characteristics of animals support old xes inc - Mar 30 2022

web merely said the directed section characteristics of animals is universally compatible bearing in mind any devices to read directed section characteristics of animals downloaded from support old xes inc com by guest ballard taylor foodborne enterobacteriaceae of animal origin epidemic characteristics of drug resistance

directed section characteristics of animals pdf download only - Jun 13 2023

web directed section characteristics of animals pdf pages 3 20 directed section characteristics of animals pdf upload suny c paterson 3 20 downloaded from networks kualumni org on september 5 2023 by suny c paterson veterinarians livestock producers laboratory animal researchers and technicians animal trainers and

directedsectioncharacteristicsofanimals copy sshauth strayos - Jun 01 2022

web introduction to animal science animal traits and characteristics or sketches and anecdotes of animal life rogues gallery section that summarizes domestic animals one a reader is repeatedly directed to throughout the chapters outstanding full color illustrations and photographs to reinforce key points the use of text boxes to set

[directed section characteristics of animals](#) - Jul 14 2023

web 2 directed section characteristics of animals 2023 02 20 science this book examines past present and future practices and thinking including the wide ranging interests within society that influence attitudes towards animals and conversely how animal welfare scientists may influence those attitudes key themes of the book include multi

directed section characteristics of animals - Jan 08 2023

web 2 directed section characteristics of animals 2021 07 17 learn and how their behaviors are later changed as a result of this learning nearly all of our behaviors are influenced by prior learning experiences in some way this book describes some of the most important principles theories

directed section characteristics of animals pdf uniport edu - Feb 09 2023

web jun 16 2023 now is directed section characteristics of animals below kant and animals john j callanan 2020 04 23 this is the first edited collection devoted entirely to the question of the role of animals in the thought of immanuel kant

[directedsectioncharacteristicsofanimals pdf net buckcenter edu](#) - Mar 10 2023

web and outlines the characteristics of the animal offender it considers ethical and animal abuse wildlife crime illegal wildlife trading and other unlawful activities directed at animals firmly within green criminology the book contends that this is a distinct multi dimensional type of criminality which section on further reading

pre cálculo james stewart ed 6 solucionario - Jul 08 2022

web dec 18 2018 otro libro con su solucionario completo para el canal en este video traemos libro y autor precálculo matemáticas para el cálculo james ste

calculo james stewart 7 edicion pdf google drive - Aug 09 2022

web view details request a review learn more

precálculo matemáticas para el cálculo 7a edición - Feb 15 2023

web may 27 2019 traducido del libro precalculus mathematics for calculus seventh edition james stewart lothar redlin and saleem watson publicado en inglés por cengage learning 2016

precálculo matemáticas para el cálculo james stewart lothar - May 18 2023

web james stewart lothar redlin saleem watson thomson 2001 mathematics 850 pages funciones polinomios y funciones racionales funciones exponencial y logarítmica funciones trigonométricas de números reales funciones trigonemétricas de ángulos trigonometría analítica sistemas de ecuaciones y desigualdades temas de

precalculo stewart pdf google drive - Sep 22 2023

web view details request a review learn more

[precálculo matemáticas para el cálculo 6a edición revisada james](#) - Sep 10 2022

web sep 14 2016 james stewart es el autor de una exitosa serie de libros de texto para cálculo publicada por brooks cole cengage learning incluyendo cálculo cálculo trascendentes tempranas y cálculo

[precálculo matemáticas para el cálculo james stewart 6](#) - Oct 11 2022

web [precálculo matemáticas para el cálculo james stewart 6 edición pdf google drive](#)

[precálculo matemáticas para el cálculo james stewart lothar](#) - Mar 16 2023

web jan 18 2007 james stewart lothar redlin saleem watson international thomson editores s a de c v jan 18 2007 mathematics 1056 pages

precálculo james stewart 3 edicion foro fmat cl - Dec 13 2022

web nov 18 2023 [precálculo james stewart 3 edicion alguien lo tiene opciones polita](#) 91 mar 10 2012 05 10 pm publicado 1 principiante matemático grupo usuario fmat podriamos decir que es el libro que viene despues de precalculo este 15 de mayo se cumple

stewart calculus textbooks and online course materials - Jul 20 2023

web calculus access everything you need for james stewart s calculus from textbook supplements to web resources and homework hints

[precálculo matemáticas para el cálculo james stewart youtube](#) - Jun 07 2022

web nov 1 2022 [precálculo matemáticas para el cálculo james stewart 9786075262758 ventadelibros](#) 166 subscribers subscribe 11 share 900 views 11 months ago esta séptima edición proporciona a los

[precalculo 3b edicion spanish edition paperback amazon com](#) - Nov 12 2022

web buy precalculo 3b edicion spanish edition on amazon com free shipping on qualified orders

[precalculus mathematics for calculus stewart james 1941](#) - Oct 23 2023

web english 1 volume various pagings 29 cm includes index fundamentals functions polynomial and rational functions exponential and logarithmic functions trigonometric functions unit circle approach trigonometric functions right triangle approach analytic trigonometry polar coordinates and parametric equations

precalculo edicion 3 james stewart k a stewart - May 06 2022

web single variable calculus james stewart 2021 05 07 james stewart s calculus series is the top seller in the world because of its problem solving focus mathematical precision and accuracy and outstanding examples and problem sets selected and mentored by stewart daniel clegg and saleem watson continue his legacy of

9786074817775 precálculo matemáticas para el cálculo 6a ed james - Apr 17 2023

web mar 21 2012 james stewart es el autor de una exitosa serie de libros de texto para cálculo publicada por brooks cole cengage learning incluyendo cálculo cálculo trascendentes tempranas y cálculo

precalculo stewart mercadolibre - Mar 04 2022

web precalculo matemáticas para el cálculo 7ed stewart 195 000 en 36x 5 416 envío gratis precalculo matematicas para el calculo 195 000

precalculo matematicas para el calculo by james stewart goodreads - Jan 14 2023

web oct 6 1997 james stewart 3 74 144 ratings 15 a lot of people had no idea what to do the paperback edition has a lot of pages falling out and i am very gentle with my books i give it four stars because i find it a useful reference and to brush up on fun precalculus good book good explanations of topics math numbers zz edcc math131

stewart math textbooks and online course materials - Jun 19 2023

web concepts contexts 1e precalculus 6e algebra trigonometry 3e college algebra 6e trigonometry 2e access all the resources you need for james stewart math including news projects and problems review exercises and more

libro precalculo james stewart mercadolibre - Apr 05 2022

web envíos gratis en el día compre libro precalculo james stewart en cuotas sin interés conozca nuestras increíbles ofertas y promociones en millones de productos

precalculo matematicas para el calculo septima edicion - Aug 21 2023

web jan 24 2023 james stewart lothar redlin saleem watson addeddate 2023 01 24 08 03 29 identifier precalculo matematicas para el calculo septima edicion identifier ark ark 13960 s2jdg98xd02 ocr tesseract 5 3 0 1 gd3a4