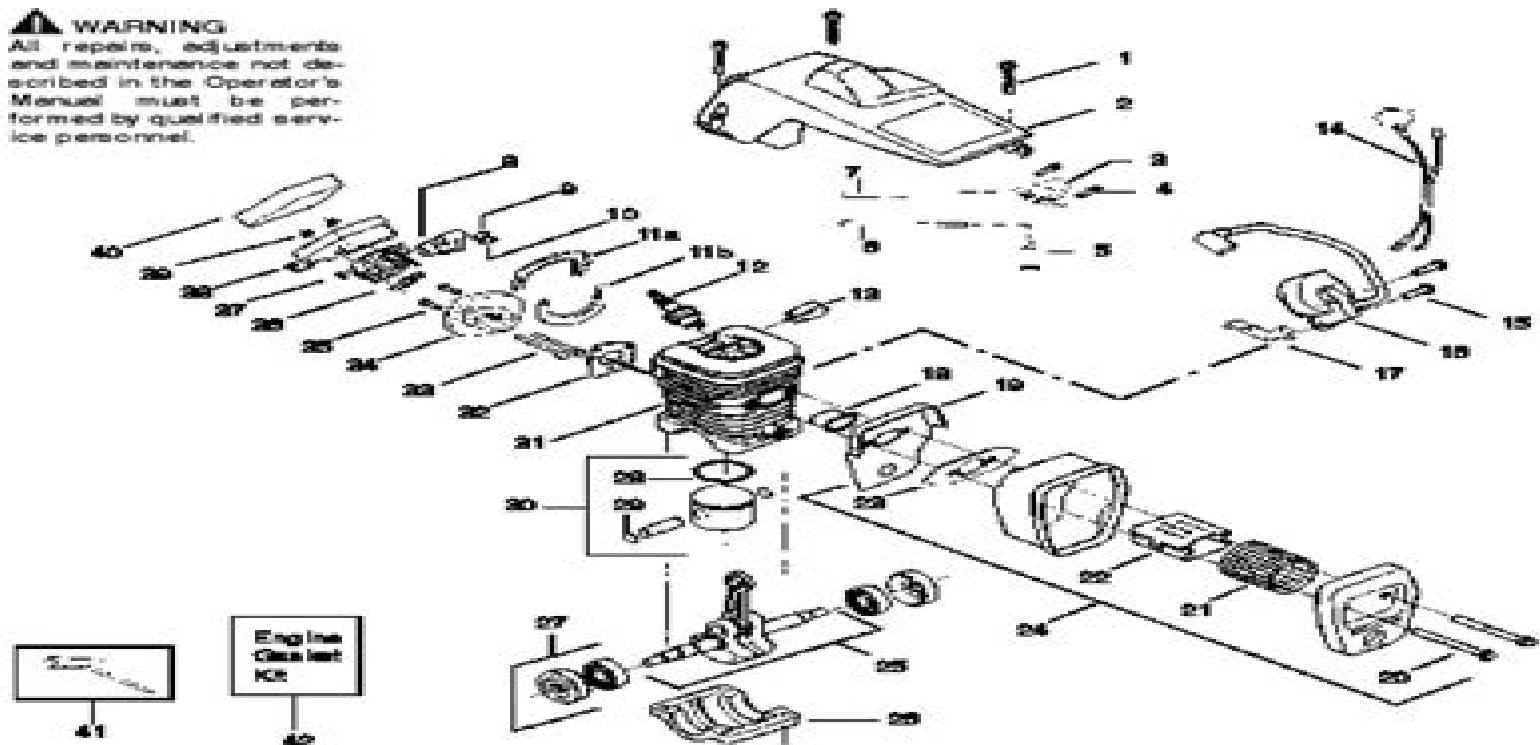


EQUIPMENT NO. 53005754		POULAN ® PARTS LIST	OPERATOR MANUAL 2200, 2400 & 2500
DATE 5/24/00	REPLACES 50000754-67, 00		PAGE NO. 2

▲ WARNING
 All repairs, adjustments and maintenance not described in the Operator's Manual must be performed by qualified service personnel.



Ref.	Part No.	Description	Ref.	Part No.	Description	Ref.	Part No.	Description
1.	500018100	Screen	17.	500047442	Ground Strap	31.	---	Cylinder Kit
2.	500053100	Cylinder Head	18.	500037852	Head Breather	32a.	500075100	2200
3.	500047200	Air Purge Assy.	19.	500048970	Motor Back Plate	32b.	500008000	2400/2500
4.	500018700	Screen	20.	500018000	Screen	33.	500008000	Check-Carb. Adapter
5.	500053048	Fuel Pick-up Assy.	21.	500028003	Spark Screen	34.	500018100	Screen
6.	500053009	Hi-Line Plug/Gasket (Small Dia)	22.	500037913	Motor Cover	35.	500030004	Carb. Adapter Kit (incl. 11, 2, 3 & 30)
7.	500053008	Hi-Line Plug/Tank Gage Stud	23.	500037878	Motor Gasket	36.	500018100	Screen
8.	500048044	Overhead-Carb. Adapt.	24.	500047007	Motor Assy. (incl. 18, 20, 21, 22, 23)	37.	500008000	Carb. Gasket
9.	500048008	Linker Cup-High	25.	---	Crankshaft Assy.	38.	500008000	Carburetor Kit (incl. 5 & 10)
10.	500048009	Linker Cup-Low	26.	500038007	5000	39.	500047004	Air Filter Housing
11.	---	Carb. Adapter	27.	500047008	Cup Cover/Guide	40.	500018101	Nut
	500047004	Carb. Adapter Kit (incl. 11, 2, 3 & 30)	28.	500047007	Gasket	41.	500037900	Air Filter - Foam
	500047005	Screen	29.	---	Piston Ring	42.	500011000	Screw
12.	500053010	Spark Plug (POL-7.5)	30.	500038008	5000		500008000	Engine Check Kit (incl. 24, 25, 26)
13.	500018100	Hi-Line Plug/Gasket	31.	500038009	5000		---	Operator Manual
14.	500048010	Motor Housing Assy.	32.	500038004	5000		500048048	Instruction Manual
15.	500018004	Screen	33.	500038008	5000		500048049	
16.	500053077	Carburetor						

Poulan 2450 Repair Manual

David Kirk



Poulan 2450 Repair Manual:

Farmers and Consumers Market Bulletin ,2011 **Mitsubishi Pajero Automotive Repair Manual** Larry Warren,John Harold Haynes,2005 Series NL NM NP NS NT with 3 0L 3 5L 3 8L petrol engines and 2 8L 3 2L diesel engines

Proton Service and Repair Manual Mark Coombs,Spencer Drayton,1997 Models covered Proton Saloon Aeroback Hatchback including Mpi models and special limited editions 3 1 litre 1298 cc 1 5 litre 1468 cc 8 12 valve petrol engines Does not cover Persona Compact range **Repair Manual for New Anglia, New Prefect, Escort, Squire, New 5 Cwt. Van, New 7 Cwt. Van** Ford Motor Company,1956 *Nissan Navara and Pathfinder Automotive Repair Manual* Jeff Killingsworth,John Harold Haynes,2006-01-01 Navara D21 Pathfinder with 2 0L 2 4L 3 0L petrol engines 2WD 4WD Does not include diesel engine information *Toyota Tercel repair manual, 1984 ,1998* **Saturn L-Series 2000-04 Repair Manual** Mike Stubblefield,2004 All models *Nissan Pulsar Automotive Repair Manual* Pete Gill,John Harold Haynes,2012-01-01 Series N16 4 cylinder with 1 6L 1 8L petrol Repair manual for the passenger car Trabant 1.1 ,1990

Service and repair manual -Franklin Sunwagon ,1995 *Repair manual for the passenger car Trabant 1.1* ,1989

Mitsubishi Pajero Automotive Repair Manual Jeff Killingsworth,John Harold Haynes,2012-09-01 This is a maintenance and repair manual for the DIY mechanic The book covers the Mitsubishi Pajero 1997 2009 models Step-by-step Repair Manual for General Electric ,1981 *Repair manual for the passenger car "Trabant 601"* ,1978 Service and repair manual -windsor sunwagon ,1995 *Toyota SU Type Carburetor Repair Manual for 4R Engine & M-B Engine* Toyota Jidōsha Hanbai Kabushiki Kaisha. Export-Technical Department,1967 **Service and Repair Manual, Sunwagon (to 1977)** Trevor Eastman,1995 **BA Escape Repair Manual** Ford Motor Company,2001-03-01 **Master Repair Manual - Suggested Time Manual** FORD MOTOR CO OF CANADA., Cargo repair manual ,1990

Enjoying the Tune of Term: An Mental Symphony within **Poulan 2450 Repair Manual**

In a global used by screens and the ceaseless chatter of instant conversation, the melodic splendor and psychological symphony created by the written term frequently disappear into the backdrop, eclipsed by the relentless sound and disturbances that permeate our lives. But, set within the pages of **Poulan 2450 Repair Manual** a wonderful literary prize brimming with organic emotions, lies an immersive symphony waiting to be embraced. Constructed by an outstanding composer of language, this charming masterpiece conducts viewers on a mental journey, well unraveling the hidden tunes and profound influence resonating within each carefully constructed phrase. Within the depths of the moving evaluation, we shall explore the book is central harmonies, analyze their enthralling publishing style, and surrender ourselves to the profound resonance that echoes in the depths of readers souls.

<https://letsgetcooking.org.uk/files/virtual-library/index.jsp/portabella%20mushrooms%20and%20blackeyed%20peas%20recipe.pdf>

Table of Contents Poulan 2450 Repair Manual

1. Understanding the eBook Poulan 2450 Repair Manual
 - The Rise of Digital Reading Poulan 2450 Repair Manual
 - Advantages of eBooks Over Traditional Books
2. Identifying Poulan 2450 Repair Manual
 - Exploring Different Genres
 - Considering Fiction vs. Non-Fiction
 - Determining Your Reading Goals
3. Choosing the Right eBook Platform
 - Popular eBook Platforms
 - Features to Look for in an Poulan 2450 Repair Manual
 - User-Friendly Interface
4. Exploring eBook Recommendations from Poulan 2450 Repair Manual

- Personalized Recommendations
 - Poulan 2450 Repair Manual User Reviews and Ratings
 - Poulan 2450 Repair Manual and Bestseller Lists
5. Accessing Poulan 2450 Repair Manual Free and Paid eBooks
 - Poulan 2450 Repair Manual Public Domain eBooks
 - Poulan 2450 Repair Manual eBook Subscription Services
 - Poulan 2450 Repair Manual Budget-Friendly Options
 6. Navigating Poulan 2450 Repair Manual eBook Formats
 - ePub, PDF, MOBI, and More
 - Poulan 2450 Repair Manual Compatibility with Devices
 - Poulan 2450 Repair Manual Enhanced eBook Features
 7. Enhancing Your Reading Experience
 - Adjustable Fonts and Text Sizes of Poulan 2450 Repair Manual
 - Highlighting and Note-Taking Poulan 2450 Repair Manual
 - Interactive Elements Poulan 2450 Repair Manual
 8. Staying Engaged with Poulan 2450 Repair Manual
 - Joining Online Reading Communities
 - Participating in Virtual Book Clubs
 - Following Authors and Publishers Poulan 2450 Repair Manual
 9. Balancing eBooks and Physical Books Poulan 2450 Repair Manual
 - Benefits of a Digital Library
 - Creating a Diverse Reading Collection Poulan 2450 Repair Manual
 10. Overcoming Reading Challenges
 - Dealing with Digital Eye Strain
 - Minimizing Distractions
 - Managing Screen Time
 11. Cultivating a Reading Routine Poulan 2450 Repair Manual
 - Setting Reading Goals Poulan 2450 Repair Manual
 - Carving Out Dedicated Reading Time
 12. Sourcing Reliable Information of Poulan 2450 Repair Manual

- Fact-Checking eBook Content of Poulan 2450 Repair Manual
 - Distinguishing Credible Sources
13. Promoting Lifelong Learning
- Utilizing eBooks for Skill Development
 - Exploring Educational eBooks
14. Embracing eBook Trends
- Integration of Multimedia Elements
 - Interactive and Gamified eBooks

Poulan 2450 Repair Manual Introduction

In this digital age, the convenience of accessing information at our fingertips has become a necessity. Whether its research papers, eBooks, or user manuals, PDF files have become the preferred format for sharing and reading documents. However, the cost associated with purchasing PDF files can sometimes be a barrier for many individuals and organizations. Thankfully, there are numerous websites and platforms that allow users to download free PDF files legally. In this article, we will explore some of the best platforms to download free PDFs. One of the most popular platforms to download free PDF files is Project Gutenberg. This online library offers over 60,000 free eBooks that are in the public domain. From classic literature to historical documents, Project Gutenberg provides a wide range of PDF files that can be downloaded and enjoyed on various devices. The website is user-friendly and allows users to search for specific titles or browse through different categories. Another reliable platform for downloading Poulan 2450 Repair Manual free PDF files is Open Library. With its vast collection of over 1 million eBooks, Open Library has something for every reader. The website offers a seamless experience by providing options to borrow or download PDF files. Users simply need to create a free account to access this treasure trove of knowledge. Open Library also allows users to contribute by uploading and sharing their own PDF files, making it a collaborative platform for book enthusiasts. For those interested in academic resources, there are websites dedicated to providing free PDFs of research papers and scientific articles. One such website is Academia.edu, which allows researchers and scholars to share their work with a global audience. Users can download PDF files of research papers, theses, and dissertations covering a wide range of subjects. Academia.edu also provides a platform for discussions and networking within the academic community. When it comes to downloading Poulan 2450 Repair Manual free PDF files of magazines, brochures, and catalogs, Issuu is a popular choice. This digital publishing platform hosts a vast collection of publications from around the world. Users can search for specific titles or explore various categories and genres. Issuu offers a seamless reading experience with its user-friendly interface and allows users to download PDF files for offline reading. Apart from dedicated

platforms, search engines also play a crucial role in finding free PDF files. Google, for instance, has an advanced search feature that allows users to filter results by file type. By specifying the file type as "PDF," users can find websites that offer free PDF downloads on a specific topic. While downloading Poulan 2450 Repair Manual free PDF files is convenient, it's important to note that copyright laws must be respected. Always ensure that the PDF files you download are legally available for free. Many authors and publishers voluntarily provide free PDF versions of their work, but it's essential to be cautious and verify the authenticity of the source before downloading Poulan 2450 Repair Manual. In conclusion, the internet offers numerous platforms and websites that allow users to download free PDF files legally. Whether it's classic literature, research papers, or magazines, there is something for everyone. The platforms mentioned in this article, such as Project Gutenberg, Open Library, Academia.edu, and Issuu, provide access to a vast collection of PDF files. However, users should always be cautious and verify the legality of the source before downloading Poulan 2450 Repair Manual any PDF files. With these platforms, the world of PDF downloads is just a click away.

FAQs About Poulan 2450 Repair Manual Books

How do I know which eBook platform is the best for me? Finding the best eBook platform depends on your reading preferences and device compatibility. Research different platforms, read user reviews, and explore their features before making a choice. Are free eBooks of good quality? Yes, many reputable platforms offer high-quality free eBooks, including classics and public domain works. However, make sure to verify the source to ensure the eBook credibility. Can I read eBooks without an eReader? Absolutely! Most eBook platforms offer webbased readers or mobile apps that allow you to read eBooks on your computer, tablet, or smartphone. How do I avoid digital eye strain while reading eBooks? To prevent digital eye strain, take regular breaks, adjust the font size and background color, and ensure proper lighting while reading eBooks. What the advantage of interactive eBooks? Interactive eBooks incorporate multimedia elements, quizzes, and activities, enhancing the reader engagement and providing a more immersive learning experience. Poulan 2450 Repair Manual is one of the best book in our library for free trial. We provide copy of Poulan 2450 Repair Manual in digital format, so the resources that you find are reliable. There are also many Ebooks of related with Poulan 2450 Repair Manual. Where to download Poulan 2450 Repair Manual online for free? Are you looking for Poulan 2450 Repair Manual PDF? This is definitely going to save you time and cash in something you should think about. If you trying to find then search around for online. Without a doubt there are numerous these available and many of them have the freedom. However without doubt you receive whatever you purchase. An alternate way to get ideas is always to check another Poulan 2450 Repair Manual. This method for see exactly what may be included and adopt these ideas to your book. This site will almost certainly help you save time

and effort, money and stress. If you are looking for free books then you really should consider finding to assist you try this. Several of Poulan 2450 Repair Manual are for sale to free while some are payable. If you arent sure if the books you would like to download works with for usage along with your computer, it is possible to download free trials. The free guides make it easy for someone to free access online library for download books to your device. You can get free download on free trial for lots of books categories. Our library is the biggest of these that have literally hundreds of thousands of different products categories represented. You will also see that there are specific sites catered to different product types or categories, brands or niches related with Poulan 2450 Repair Manual. So depending on what exactly you are searching, you will be able to choose e books to suit your own need. Need to access completely for Campbell Biology Seventh Edition book? Access Ebook without any digging. And by having access to our ebook online or by storing it on your computer, you have convenient answers with Poulan 2450 Repair Manual To get started finding Poulan 2450 Repair Manual, you are right to find our website which has a comprehensive collection of books online. Our library is the biggest of these that have literally hundreds of thousands of different products represented. You will also see that there are specific sites catered to different categories or niches related with Poulan 2450 Repair Manual So depending on what exactly you are searching, you will be able to choose ebook to suit your own need. Thank you for reading Poulan 2450 Repair Manual. Maybe you have knowledge that, people have search numerous times for their favorite readings like this Poulan 2450 Repair Manual, but end up in harmful downloads. Rather than reading a good book with a cup of coffee in the afternoon, instead they juggled with some harmful bugs inside their laptop. Poulan 2450 Repair Manual is available in our book collection an online access to it is set as public so you can download it instantly. Our digital library spans in multiple locations, allowing you to get the most less latency time to download any of our books like this one. Merely said, Poulan 2450 Repair Manual is universally compatible with any devices to read.

Find Poulan 2450 Repair Manual :

portabella mushrooms and blackeyed peas recipe

porsche 930 1976 repair service manual

possible essays for grade 10 economics november 2014

possible essays grade 1 life sciences final exam 2014

potterton ep3000 manual

porsche 928 1978 repair service manual

post in bambisana hospital lusikisiki

~~postal clerk canada post cover letter guide~~

[postgresql reference manual volume 1 3](#)

[porsche tiptronic vs manual](#)

[portuguese fava recipe](#)

[poshida raaz islamic book in urdu](#)

[porsche 911 service repair manual 1989 1994](#)

[pouvezvous devenir ou rester francce dilais](#)

[postal assistant exam question paper held on 5 may 2013](#)

Poulan 2450 Repair Manual :

Pmp Rita Mulcahy 9th Edition PMP Book 9th Edition by Rita M: PMP Exam Preparation Guide ... PMP Exam Prep - 2023 Exam Ready. Most Accurate Agile & Predictive Content. Practice. Rita Mulcahay's PMP EXAM PREP 9th edition... ... Rita Mulcahay's PMP EXAM PREP 9th edition Aligned with {PMBOK Guide 6th edition [Rita Mulcahy] on Amazon.com. *FREE* shipping on qualifying offers. PMP® Exam Prep, Eleventh Edition - All Products Study for the PMP certification exam with RMC Learning Solution's PMP Exam Prep, 11th Edition - originally developed by Rita Mulcahy. Is the 9th edition of Rita Mulcahy sufficient for the 2021 ... Feb 6, 2021 — Rita Mulcahy's PMP Exam Prep book is a popular study guide for the Project Management Professional (PMP) certification exam. It is known for its ... Will Rita's Exam Prep still be useful for preparing for PMP ... I have the 9th edition of Rita's PMP Exam Prep, and I know the content is outdated in that there is no Agile or Hybrid-related content here. PMP Exam Changes Studying with our 9th Edition or older materials will leave you unprepared for the current exam. ... Both 10th Edition and 11th Edition RMC PMP Exam Prep Classes ... Rita Mulcahy's Latest Edition - PMP Exam Prep Apr 12, 2023 — If you're considering getting your PMP, prepare with Rita Mulcahy's latest edition of the PMP Exam Prep book - all you need to pass the PMP! PMP Exam Prep: Accelerated Learning to Pass ... PMP Exam Prep: Accelerated Learning to Pass the Project Management Professional (PMP) Exam. 673. by Rita Mulcahy Rita Mulcahy. View More ... PMP® Exam Prep, Ninth ... Rita Mulcahy PMP Exam Prep book Rita Mulcahy PMP Exam Prep book is developed with the aid of learning experts, providing the reader proven tools to assimilate the required information in the ... Rita Mulcahy | Best PMP Exam Prep ₹ 4,425.00. Cloud Subscription, PMP, Rita Mulcahy · PMP Exam Prep Sold! View Product · Rita Mulcahy's PMP® Exam Prep, 9th Edition - Cloud Based - 12 Month ... What is the translation of "Troockenbau" in English? Translation for 'Troockenbau' in the free German-English dictionary and many other English translations. What is the translation of "Troockenbau" in English? Translation for 'Troockenbau' in the free German-English dictionary and many other English translations. Troockenbau Interiors Troockenbau Interiors LLC is locally owned commercial interior build out company that specializes in all forms of Metal Stud Framing, Drywall, and Finish Work. Instant AI-powered translation from

German to English Dictionary. Trockenbau noun, masculine. Listen —. Linguee Dictionary. dry lining n. dry construction n. Listen. drywall construction n (construction) Listen. Trockenbau - Construction / Civil Engineering - ProZ.com Nov 25, 2000 — It can provide a variety of exterior appearances but is characterized by narrowly spaced vertical and horizontal caps with glass or metal infil ... Trockenbau meaning in English trockenbau meaning in English » DictZone Hungarian-English dictionary. Trockenbau GmbH Trockenbau GmbH is a construction company based out of 2 Industriestraße, Fränkisch-Crumbach, Hesse, Germany. Website: <http://www.boelter-trockenbau.de>. TROCKENBAU INTERIORS - Drywall Installation & Repair Specialties: We specialized in drywall repairs or new construction. Metal framing, drywall, finish, insulation. You have mold or crack ceilings we can help. Trockenbau - Translation into English - examples German Ideal material for drywall, wall, floor, ceiling. ENGINE Workshop Manual 4M4 (W-E) ENGINE. 4M40. 11A-0-1. GENERAL INFORMATION. 1. SPECIFICATIONS. GENERAL SPECIFICATIONS. SERVICE SPECIFICATIONS. TORQUE SPECIFICATIONS. SEALANT. 2. SPECIAL TOOLS. ENGINE Workshop Manual 4M4 (W E) 4M40 User Manual: 4M40. Open the PDF directly: View PDF PDF . Page Count: 130 [warning: Documents this large are best viewed by clicking the View PDF Link!] 4m40 Workshop Manual PDF 4m40 workshop manual.pdf - Free download as PDF File (.pdf) or read online for free. Mitsubishi Engine 4M40 Service Repair Manual PDF ONLINE - Mitsubishi Engine 4M40 Service Repair Manual. Mitsubishi Engine 4M40 Service Repair Manual. Mitsubishi 4M40 / 4M40T Engine Workshop Maintenance ... Engine Maintenance / Repair Manual Suitable For Vehicles / Machinery Running The Following Engine/s Mitsubishi 4M40. Mitsubishi Engine 4M40 Service Repair Manual | PDF Mitsubishi Engine 4M40 Service Repair Manual. Uploaded by. Quốc Phú Đình. 100%(1)100% found this document useful (1 vote). 537 views. 137 pages ... Mitsubishi Canter engine 4M40 Service Manual 20200201 ... Shop Manual • Compiled for experienced technicians, this shop manual aims to provide technical information required for maintenance and repair of the machine. L400 Complete Workshop manual now available! Apr 30, 2020 — Like what the topic says: a full l400 workshop manual is available via the resources section. It's my google docs folder, download whatever ... SHOGUN Mitsubishi WORKSHOP & 2.8 TD 4M40 ENGINE ... PLUS Full Wiring Diagrams Showing Harnesses. Not just a Parts Manual or Service Manual. This is by far the best and easiest to use and Most Comprehensive ... 1998 Pajero 2.8d V36 4m40 Manual Jan 14, 2017 — 4M40 engine repair manual is online. PDF]ENGINE Workshop Manual 4M4 ... Mitsubishi Outlander repair manual. Outlander & Airtrek Forum. 1; 3K. M.