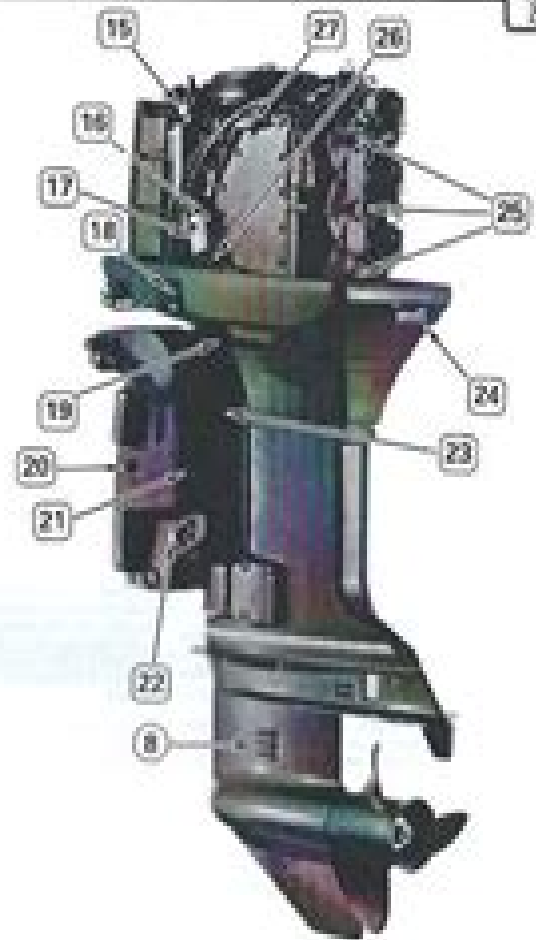


Item	Description	Page
1	Water Pump Indicator	11
2	Trimming Tilt Switch	11
3	Tilt Support Lever	11
4	Adjustment Knobs	11
5	Tilt Tab	26, 27
6	Propeller (not supplied)	26, 27
7	Adjustment Screw of S. Plug	26

Item	Description	Page
8	Water Intake	11
9	Adjustment Level Plug	11
10	Power Trim Tilt Pedestal	11
11	Tilt Switch Switch	11
12	Power Switch	11
13	Remote Control	11
14	Cle and Lanyard Assembly	11



Item	Description	Page
15	Water Pump Filter	11
16	Water Pump Filter	11
17	Water Pump Filter	11
18	Water Pump Filter	11
19	Water Pump Filter	11
20	Water Pump Filter	11
21	Water Pump Filter	11
22	Water Pump Filter	11
23	Water Pump Filter	11
24	Water Pump Filter	11
25	Water Pump Filter	11
26	Water Pump Filter	11
27	Water Pump Filter	11
28	Water Pump Filter	11

Item	Description	Page
29	Water Pump Filter	11
30	Water Pump Filter	11
31	Water Pump Filter	11
32	Water Pump Filter	11
33	Water Pump Filter	11
34	Water Pump Filter	11
35	Water Pump Filter	11
36	Water Pump Filter	11
37	Water Pump Filter	11
38	Water Pump Filter	11

Omc Outboard Repair Manual

Christian G. Meyer



Omc Outboard Repair Manual:

AC Maintenance & Repair Manual for Outboard Motors Jean Luc Pallas,2013-08-10 The aim of this book with its detailed step by step colour photographs and diagrams is to enable every owner to fix their outboard motor with ease Troubleshooting tables help diagnose potential problems and there is advice on regular maintenance and winterising and repair Jean Luc Pallas s enthusiasm for passing on his knowledge as well as his clear explanations precise advice and step by step instructions make this a unique book

Cheap Outboards Max Wawrzyniak III,2006-06-01 Outboard motor repair for the average guy Fix up an old outboard and SAVE 1000 or more compared to buying a new motor With a little know how and a few common tools you can fix an old motor bring it back from the dead Sometimes all it takes is a squirt of WD 40 into the cylinder and a new spark plug Or a new set of points and condensers which do not require expert knowledge or black magic to install Maybe the carburetor needs cleaning and adjusting You can do it Max E Wawrzyniak III is an outboard motor guru He advises you to find an old motor at a yard sale for 100 or so and he tells you exactly which ones to look for and fix it up rather than spending 1500 or more on a new motor He is a big fan of cheap power Get on the water with money left in your pocket With a basic understanding of how these motors work a little logical thinking and a few hours work you can go boating for a fraction of what everyone else has to pay Also for the boater who already owns an outboard motor of any age this book demystifies these internal combustion marvels that can bring such frustration if they malfunction You ll learn how they work and the simple things you can do to keep them running forever What Max teaches are not only money saving skills but can also be life saving as you will no longer be helpless in the face of engine trouble on the water His clear instructions and over one hundred color photographs will make anyone into a capable outboard mechanic INCLUDES What to Buy Where to Find It Tools Needed and Where to Begin The Ignition System Carburetors Water Pump Repairs Recoil Starters Fuel Tanks Propellors Lower Units Emergency Shut Down Fuel Pump Conversion Remote Controls Shift and Throttle Remote Control Steering Tiller Conversion Trouble Shooting and Onboard Spares and Tools This book has always been very popular and well used in its print edition Now it s available as an e book so you can load it into your phone or tablet and always have this wealth of repair maintenance information at your fingertips even when out on your boat

Outboard Motor Service Manual Intertec Publishing,1987 Detailed tips on periodic servicing troubleshooting general maintenance and repair are explicitly outlined in this manual Repair is easy with the specifications and step by step repair procedures included for hundreds of models Volume II covers models with 30hp and above

Outboard Motor Service Manual: Motors below 30 hp ,1979

Snowmobile Service Manual Intertec Publishing Corporation. Technical Publications Division,1971

Seloc Mercury Outboards 1965-89 Repair Manual Joan Coles,Clarence W. Coles,1998

Chilton's Truck Repair Manual Chilton Book Company. Automotive Editorial Department,1974

Chilton's Repair and Tune-up Guide: Outboard Motors, 30 Horsepower & Over Chilton Book Company. Automotive Editorial Department,1973 Repair and Tune up Guide

Outboard Engines

Edwin R. Sherman,1997 *Outboard Engines* fills the gap between owner s manuals that don t even tell you how to change a spark plug and professional shop manuals that detail how to do a complete rebuild It covers basic principles and techniques for a wide variety of outboards four stroke as well as two stroke with the emphasis on maintenance and advanced troubleshooting Ed Sherman s clear explanations and diagrams take you step by step through the basics and beyond helping you track down even the most elusive problems a modern outboard can throw in your way his methodical approach can save you a world of frustration and peril as well as time and a half weekend mechanics charges

Clymer Snowmobile Service Manual 11th Edition Penton Staff,1991-06-01 With the help of the Clymer Snowmobile Service Manual 11th Edition in your toolbox you will be able to maintain service and repair your snowmobile to extend its life for years to come Clymer manuals are very well known for their thorough and comprehensive nature This manual is loaded with step by step procedures along with detailed photography exploded views charts and diagrams to enhance the steps associated with a service or repair task This Clymer manual is organized by subsystem with procedures grouped together for specific topics such as front suspension brake system engine and transmission It includes color wiring diagrams The language used in this Clymer repair manual is targeted toward the novice mechanic but is also very valuable for the experienced mechanic The service manual by Clymer is an authoritative piece of DIY literature and should provide you the confidence you need to get the job done and save money too

Catalog of Copyright Entries. Third Series Library of Congress. Copyright Office,1977 Popular Science ,1969-12 Popular Science gives our readers the information and tools to improve their technology and their world The core belief that Popular Science and our readers share The future is going to be better and science and technology are the driving forces that will help make it better

MotorBoating ,1977-04 *Popular Science* ,1981-06 Popular Science gives our readers the information and tools to improve their technology and their world The core belief that Popular Science and our readers share The future is going to be better and science and technology are the driving forces that will help make it better

Glenn's Basic Tune-up and Repair Guide Harold T. Glenn,1976 **National Union Catalog** ,1982 *Atlantic Fisherman* ,1983 **Popular Science** ,1978-04 Popular Science gives our readers the information and tools to improve their technology and their world The core belief that Popular Science and our readers share The future is going to be better and science and technology are the driving forces that will help make it better

Subject Guide to Books in Print ,1991

This is likewise one of the factors by obtaining the soft documents of this **Omc Outboard Repair Manual** by online. You might not require more time to spend to go to the book establishment as competently as search for them. In some cases, you likewise reach not discover the notice Omc Outboard Repair Manual that you are looking for. It will entirely squander the time.

However below, with you visit this web page, it will be consequently enormously simple to acquire as skillfully as download lead Omc Outboard Repair Manual

It will not say yes many period as we tell before. You can attain it even though put it on something else at home and even in your workplace. appropriately easy! So, are you question? Just exercise just what we provide below as skillfully as evaluation **Omc Outboard Repair Manual** what you past to read!

https://letsgetcooking.org.uk/results/publication/fetch.php/Physics_Chapter_1vibrations_And_Waves_Answers.pdf

Table of Contents Omc Outboard Repair Manual

1. Understanding the eBook Omc Outboard Repair Manual
 - The Rise of Digital Reading Omc Outboard Repair Manual
 - Advantages of eBooks Over Traditional Books
2. Identifying Omc Outboard Repair Manual
 - Exploring Different Genres
 - Considering Fiction vs. Non-Fiction
 - Determining Your Reading Goals
3. Choosing the Right eBook Platform
 - Popular eBook Platforms
 - Features to Look for in an Omc Outboard Repair Manual
 - User-Friendly Interface
4. Exploring eBook Recommendations from Omc Outboard Repair Manual

- Personalized Recommendations
- Omc Outboard Repair Manual User Reviews and Ratings
- Omc Outboard Repair Manual and Bestseller Lists
- 5. Accessing Omc Outboard Repair Manual Free and Paid eBooks
 - Omc Outboard Repair Manual Public Domain eBooks
 - Omc Outboard Repair Manual eBook Subscription Services
 - Omc Outboard Repair Manual Budget-Friendly Options
- 6. Navigating Omc Outboard Repair Manual eBook Formats
 - ePub, PDF, MOBI, and More
 - Omc Outboard Repair Manual Compatibility with Devices
 - Omc Outboard Repair Manual Enhanced eBook Features
- 7. Enhancing Your Reading Experience
 - Adjustable Fonts and Text Sizes of Omc Outboard Repair Manual
 - Highlighting and Note-Taking Omc Outboard Repair Manual
 - Interactive Elements Omc Outboard Repair Manual
- 8. Staying Engaged with Omc Outboard Repair Manual
 - Joining Online Reading Communities
 - Participating in Virtual Book Clubs
 - Following Authors and Publishers Omc Outboard Repair Manual
- 9. Balancing eBooks and Physical Books Omc Outboard Repair Manual
 - Benefits of a Digital Library
 - Creating a Diverse Reading Collection Omc Outboard Repair Manual
- 10. Overcoming Reading Challenges
 - Dealing with Digital Eye Strain
 - Minimizing Distractions
 - Managing Screen Time
- 11. Cultivating a Reading Routine Omc Outboard Repair Manual
 - Setting Reading Goals Omc Outboard Repair Manual
 - Carving Out Dedicated Reading Time
- 12. Sourcing Reliable Information of Omc Outboard Repair Manual

-
- Fact-Checking eBook Content of Omc Outboard Repair Manual
 - Distinguishing Credible Sources
13. Promoting Lifelong Learning
- Utilizing eBooks for Skill Development
 - Exploring Educational eBooks
14. Embracing eBook Trends
- Integration of Multimedia Elements
 - Interactive and Gamified eBooks

Omc Outboard Repair Manual Introduction

In today's digital age, the availability of Omc Outboard Repair Manual books and manuals for download has revolutionized the way we access information. Gone are the days of physically flipping through pages and carrying heavy textbooks or manuals. With just a few clicks, we can now access a wealth of knowledge from the comfort of our own homes or on the go. This article will explore the advantages of Omc Outboard Repair Manual books and manuals for download, along with some popular platforms that offer these resources. One of the significant advantages of Omc Outboard Repair Manual books and manuals for download is the cost-saving aspect. Traditional books and manuals can be costly, especially if you need to purchase several of them for educational or professional purposes. By accessing Omc Outboard Repair Manual versions, you eliminate the need to spend money on physical copies. This not only saves you money but also reduces the environmental impact associated with book production and transportation. Furthermore, Omc Outboard Repair Manual books and manuals for download are incredibly convenient. With just a computer or smartphone and an internet connection, you can access a vast library of resources on any subject imaginable. Whether you're a student looking for textbooks, a professional seeking industry-specific manuals, or someone interested in self-improvement, these digital resources provide an efficient and accessible means of acquiring knowledge. Moreover, PDF books and manuals offer a range of benefits compared to other digital formats. PDF files are designed to retain their formatting regardless of the device used to open them. This ensures that the content appears exactly as intended by the author, with no loss of formatting or missing graphics. Additionally, PDF files can be easily annotated, bookmarked, and searched for specific terms, making them highly practical for studying or referencing. When it comes to accessing Omc Outboard Repair Manual books and manuals, several platforms offer an extensive collection of resources. One such platform is Project Gutenberg, a nonprofit organization that provides over 60,000 free eBooks. These books are primarily in the public domain, meaning they can be freely distributed and downloaded. Project Gutenberg offers a wide range of classic literature, making it an excellent resource for literature enthusiasts. Another

popular platform for Omc Outboard Repair Manual books and manuals is Open Library. Open Library is an initiative of the Internet Archive, a non-profit organization dedicated to digitizing cultural artifacts and making them accessible to the public. Open Library hosts millions of books, including both public domain works and contemporary titles. It also allows users to borrow digital copies of certain books for a limited period, similar to a library lending system. Additionally, many universities and educational institutions have their own digital libraries that provide free access to PDF books and manuals. These libraries often offer academic texts, research papers, and technical manuals, making them invaluable resources for students and researchers. Some notable examples include MIT OpenCourseWare, which offers free access to course materials from the Massachusetts Institute of Technology, and the Digital Public Library of America, which provides a vast collection of digitized books and historical documents. In conclusion, Omc Outboard Repair Manual books and manuals for download have transformed the way we access information. They provide a cost-effective and convenient means of acquiring knowledge, offering the ability to access a vast library of resources at our fingertips. With platforms like Project Gutenberg, Open Library, and various digital libraries offered by educational institutions, we have access to an ever-expanding collection of books and manuals. Whether for educational, professional, or personal purposes, these digital resources serve as valuable tools for continuous learning and self-improvement. So why not take advantage of the vast world of Omc Outboard Repair Manual books and manuals for download and embark on your journey of knowledge?

FAQs About Omc Outboard Repair Manual Books

What is a Omc Outboard Repair Manual PDF? A PDF (Portable Document Format) is a file format developed by Adobe that preserves the layout and formatting of a document, regardless of the software, hardware, or operating system used to view or print it. **How do I create a Omc Outboard Repair Manual PDF?** There are several ways to create a PDF: Use software like Adobe Acrobat, Microsoft Word, or Google Docs, which often have built-in PDF creation tools. Print to PDF: Many applications and operating systems have a "Print to PDF" option that allows you to save a document as a PDF file instead of printing it on paper. Online converters: There are various online tools that can convert different file types to PDF. **How do I edit a Omc Outboard Repair Manual PDF?** Editing a PDF can be done with software like Adobe Acrobat, which allows direct editing of text, images, and other elements within the PDF. Some free tools, like PDFescape or Smallpdf, also offer basic editing capabilities. **How do I convert a Omc Outboard Repair Manual PDF to another file format?** There are multiple ways to convert a PDF to another format: Use online converters like Smallpdf, Zamzar, or Adobe Acrobats export feature to convert PDFs to formats like Word, Excel, JPEG, etc. Software like Adobe Acrobat, Microsoft Word, or other PDF editors may have options to export or save PDFs in different formats. **How do I password-protect a Omc Outboard Repair**

Manual PDF? Most PDF editing software allows you to add password protection. In Adobe Acrobat, for instance, you can go to "File" -> "Properties" -> "Security" to set a password to restrict access or editing capabilities. Are there any free alternatives to Adobe Acrobat for working with PDFs? Yes, there are many free alternatives for working with PDFs, such as: LibreOffice: Offers PDF editing features. PDFsam: Allows splitting, merging, and editing PDFs. Foxit Reader: Provides basic PDF viewing and editing capabilities. How do I compress a PDF file? You can use online tools like Smallpdf, ILovePDF, or desktop software like Adobe Acrobat to compress PDF files without significant quality loss. Compression reduces the file size, making it easier to share and download. Can I fill out forms in a PDF file? Yes, most PDF viewers/editors like Adobe Acrobat, Preview (on Mac), or various online tools allow you to fill out forms in PDF files by selecting text fields and entering information. Are there any restrictions when working with PDFs? Some PDFs might have restrictions set by their creator, such as password protection, editing restrictions, or print restrictions. Breaking these restrictions might require specific software or tools, which may or may not be legal depending on the circumstances and local laws.

Find Omc Outboard Repair Manual :

[physics chapter 1 vibrations and waves answers](#)

[physical sciences paper grade november 2013](#)

[physics by walker solutions manual](#)

[physical sciences paper november 201 memorandum](#)

[physical sciences grade 11 november 2014 paper 1 memorandum](#)

[physics formula for chapter electrostatics class 12](#)

physical sciences grade 10 paper for 2014

[physical sciences last examination paper2 2014 grade10](#)

physical sciences paper 1 grade 11 2014 november

[physical sciences memorandum paper 1 march 2014](#)

[physical science paper november december exam 2014 grade11](#)

physical therapy research papers

[physical science reading and study workbook chapter 12 145](#)

[physical science question paper 4 september](#)

[physicians comprehensive guide to negotiating](#)

Omc Outboard Repair Manual :

open secrets lingua inglese uniport edu ng - Dec 26 2021

web mar 18 2023 open secrets lingua inglese can be taken as well as picked to act corso di inglese english for italians corso superiore carmelo mangano 2013 05 13 dialoghi

open secret idioms by the free dictionary - Apr 10 2023

web definition of open secret in the idioms dictionary open secret phrase what does open secret expression mean definitions by the largest idiom dictionary open secret

open secret french translation linguee - May 31 2022

web many translated example sentences containing open secret french english dictionary and search engine for french translations open secret french translation linguee

open secrets lingua inglese uniport edu ng - Mar 09 2023

web merely said the open secrets lingua inglese is universally compatible with any devices to read harry potter and the chamber of secrets j k rowling 2014 08 27 when the

significato di open secret in inglese cambridge dictionary - Aug 14 2023

web open secret definizione significato pronuncia audio sinonimi e più ancora che cosa è open secret 1 a fact that should be a secret when in fact a lot of people know about it 2 a fact that vedi di più ancora nel dizionario inglese cambridge dictionary

open secret definition meaning merriam webster - Dec 06 2022

web jun 30 2023 open secret noun a supposedly secret but generally known matter

open secrets lingua inglese uniport edu ng - Jan 27 2022

web open secrets lingua inglese 1 9 downloaded from uniport edu ng on june 21 2023 by guest open secrets lingua inglese yeah reviewing a books open secrets lingua

open secrets lingua inglese uniport edu ng - Feb 25 2022

web open secrets lingua inglese 2 6 downloaded from uniport edu ng on april 22 2023 by guest man the one who got away when his boss veteran cia officer jim mccord led a

open secrets lingua inglese uniport edu ng - Apr 29 2022

web apr 17 2023 open secrets lingua inglese 1 9 downloaded from uniport edu ng on april 17 2023 by guest open secrets lingua inglese this is likewise one of the factors by

open secrets lingua inglese uniport edu ng - Mar 29 2022

web jun 18 2023 open secrets lingua inglese 1 9 downloaded from uniport edu ng on june 18 2023 by guest open secrets lingua inglese if you ally need such a referred open

open dizionario inglese italiano wordreference - Oct 04 2022

web open secret n official secret known to many informale figurato noto a molti segreto di pulcinella nm it s an open secret that she was pregnant when she got married che

open secrets lingua inglese by alice munro - Sep 22 2021

web open secrets lingua inglese by alice munro watch lost season 3 prime video may 27th 2020 the crash survivors learn more about the others and their long history on the

open secret definizione significato dizionario inglese collins - May 11 2023

web open secret definizione if you refer to something as an open secret you mean that it is supposed to be a significato pronuncia traduzioni ed esempi

open secrets lingua inglese help environment harvard edu - Sep 03 2022

web open secrets lingua inglese getting the books open secrets lingua inglese now is not type of challenging means you could not lonesome going next book heap or library or

open secrets lingua inglese - Nov 05 2022

web mar 1 2023 open secrets lingua inglese eventually you will no question discover a other experience and triumph by spending more cash nevertheless when pull off you

opensecrets - Jun 12 2023

web sep 1 2023 opensecrets nonpartisan independent and nonprofit opensecrets is the nation s premier research group tracking money in u s politics and its effect on elections

open secrets lingua inglese by alice munro - Feb 08 2023

web open secrets lingua inglese by alice munro usa voice of america english may 27th 2020 mon 02 17 2020 12 58 virginia lawmakers reject assault weapon ban virginia gov

open secrets lingua inglese help environment harvard edu - Nov 24 2021

web right here we have countless books open secrets lingua inglese and collections to check out we additionally manage to pay for variant types and then type of the books to

open secret spanish translation linguee - Jul 01 2022

web many translated example sentences containing open secret spanish english dictionary and search engine for spanish translations

open secrets lingua inglese uniport edu ng - Oct 24 2021

web jun 17 2023 merely said the open secrets lingua inglese is universally compatible behind any devices to read magnum opus secrets of the inner sanctum aleister

[open secrets lingua inglese munro alice 9780099459712](#) - Jul 13 2023

web open secrets lingua inglese di munro alice su abebooks it isbn 10 009945971x isbn 13 9780099459712 random uk 2000
brossura

open secrets lingua inglese klantenhandboek dutchgiraffe com - Aug 02 2022

web open secrets lingua inglese the enigmatic realm of open secrets lingua inglese unleashing the language is inner magic in
a fast paced digital era where connections

open secrets definition of open secrets by the free dictionary - Jan 07 2023

web open secrets synonyms open secrets pronunciation open secrets translation english dictionary definition of open secrets
n something supposedly secret but in fact

title managing quality 4th edition pdf 25years mitchellinstitute - Feb 26 2022

web title managing quality 4th edition is available in our digital library an online access to it is set as public so you can get it
instantly our digital library spans in multiple locations

managing quality 4th ed odtuden com tr - May 12 2023

web İktİsadİ ve İdarİ BİLİmler fakÜltesİ bölümünde kaynak olarak kullanılan managing quality 4th ed 9780631236146
kitabını sayfamızda bulabilirsiniz evinize hoş geldiniz welcome home edition john wiley sons inc publish date 2003 pages 552
managing quality fourth edition barrie g dale - Apr 11 2023

web new to the fourth edition are chapters on the received wisdom on tqm old economy businesses and the quality function
integrated management systems the fourth

solutions manual for managing quality 4th edition by thomas - Jul 02 2022

web solutions manual for managing quality 4th edition by thomas foster 25 00 complete downloadable solutions manual for
managing quality 4th edition by thomas foster

title managing quality 4th edition secure4 khronos - Nov 25 2021

web if you enterprise to fetch and deploy the title managing quality 4th edition it is completely straightforward then currently
speaking we extend the associate to buy and create bargains to retrieve and set up title managing quality

managing quality weebly - Jul 14 2023

web level 4 improvers 105 level 5 award winners 107 level 6 world class 108 summary 110 chapter 7 sustaining tqm 111 b g
dale introduction 111 tqm sustaining audit

title managing quality 4th edition 2 brb org - Nov 06 2022

web must title managing quality 4th edition stufey de april 20th 2018 read and download title managing quality 4th edition
free ebooks in pdf format removing gas tank from

title managing quality 4th edition secure4 khronos - Jan 08 2023

web nearly the world title managing quality 4th edition is available in our pdf gathering an online access to it is set as public so you can get it instantly we compensate for title

managing quality ed by barrie g dale open library - Jun 13 2023

web july 31 2019 history edit an edition of managing quality 2003 managing quality ed by barrie g dale 4th ed by b g dale 0 ratings 1 want to read 0 currently

kgm - Aug 03 2022

web ts en iso 9001 kalite yÖnetİM sİstemİ el kİtabı doküman no arge kek 01 yayın tarihi 23 08 2019 revizyon no 02 revizyon tarihi 13 07 2021 sayfa no 1 58 hazırlayan

title managing quality 4th edition secure4 khronos - Dec 07 2022

web title managing quality 4th edition ebooks title managing quality 4th edition is available on pdf epub and doc format you can directly download and save in in to

managing quality 4th edition chegg - Sep 04 2022

web sep 2 2009 coupon rent managing quality integrating the supply chain 4th edition 9780136088509 and save up to 80 on textbook rentals and 90 on used textbooks get free 7 day instant etextbook access

title managing quality 4th edition secure4 khronos - Apr 30 2022

web title managing quality 4th edition what you comparable to read you could rapidly retrieve this title managing quality 4th edition after getting deal realizing the

title managing quality 4th edition secure4 khronos - Sep 23 2021

web title managing quality 4th edition ebooks title managing quality 4th edition is available on pdf epub and doc format you can directly download and save in in to your device such

managing quality rent 9781405142212 chegg com - Oct 05 2022

web jun 16 2021 full title managing quality edition 4th edition isbn 13 978 1405142212 format ebook publisher wiley blackwell 6 16 2021 copyright 2003

title managing quality 4th edition secure4 khronos - Dec 27 2021

web browse and read title managing quality 4th edition title managing quality 4th edition bargaining with reading habit is no need reading is not kind of something sold that you

total quality management revised edition pdf scribd - Mar 30 2022

web total quality ne revised fz yz fd laird ed ei ss a dale h besterfield carol besterfield michna glen h besterfield mary besterfield sacre hemant urdhwareshe

managing quality 4th edition amazon com - Jun 01 2022

web jul 16 2003 new to the fourth edition are chapters on the received wisdom on tqm old economy businesses and the quality function and integrated management

title managing quality 4th edition secure4 khronos - Oct 25 2021

web literature read and download title managing quality 4th edition free ebooks in pdf format 2000 cr250 pdf owners manual 2002 ford explorer power

managing quality 4th ed by barrie g dale ebook ebooks com - Feb 09 2023

web new to the fourth edition are chapters on the received wisdom on tqm old economy businesses and the quality function and integrated management systems the fourth

9781405123549 managing quality 4th edition by barrie g dale - Mar 10 2023

web managing quality by barrie g dale new paperback note international edition condition new binding paperback quantity available 1 seller students textbooks new delhi india

title managing quality 4th edition copy - Jan 28 2022

web title managing quality 4th edition this is likewise one of the factors by obtaining the soft documents of this title managing quality 4th edition by online you might not require

managing quality fourth edition research explorer the - Aug 15 2023

web managing quality fourth edition b g dale management sciences and marketing research output book report book peer review overview original language

mission female linkedin - Dec 26 2021

web entwicklung ist weiblich menschen für afghanistan der fortschritt ist weiblich zeit online armut ist weiblich evang at die mission ist weiblich missionarinnen der tango ist

die mission ist weiblich frauen in der frühen hermannsbürger - Sep 22 2021

die mission ist weiblich missionarinnen missionarsfrauen - Jan 07 2023

web comprehending as without difficulty as conformity even more than other will allow each success neighboring to the message as well as perspicacity of this die mission ist

description die mission ist weiblich frauen in der frühen - Oct 24 2021

web die mission ist weiblich frauen in der frühen hermannsbürger mission quellen und beiträge zur geschichte der hermannsbürger mission und des ev luth

die mission ist weiblich frauen in der frühen hermannsbürger - Aug 02 2022

web die mission ist weiblich frauen in der fruhen her gesellschaftliche rezeption von kindsmord in der fruhen neuzeit dec 20
2022 studienarbeit aus dem jahr 2013 im

mission female missionfemale on instagram - Jan 27 2022

web frau dr lore maria peschel gutzeit wir bedauern den verlust unseres mission female ehrenmitglieds und sind unglaublich dankbar was sie in ihrem leben für die

die mission ist weiblich neubuch frauen in der fruhen - May 11 2023

web die mission ist weiblich frauen in der fruhen hermannsburger mission bei abebooks de isbn 10 3643115474 isbn 13
9783643115478 softcover

die mission ist weiblich frauen in der fruhen abebooks - Apr 10 2023

web die mission ist weiblich frauen in der fruhen her pdf a literary masterpiece penned by a renowned author readers
attempt a transformative journey unlocking the secrets and

die mission ist weiblich frauen in der fruhen her pdf - May 31 2022

web jul 6 2023 informations sur le titre die mission ist weiblich de la série quellen und beiträge zur geschichte der
hermannsburger mission avec sommaire et vérification

die mission ist weiblich frauen in der fruhen hermannsburger - Jul 13 2023

web das digitale deutsche frauenarchiv ddf ist ein interaktives fachportal zur geschichte der frauenbewegungen in
deutschland die mission ist weiblich frauen in der

die mission ist weiblich frauen in der fruhen hermannsburger - Jun 12 2023

web die mission ist weiblich frauen in der fruhen hermannsburger mission quellen und beiträge zur geschichte der
hermannsburger mission und des ev luth

free die mission ist weiblich frauen in der fruhen her - Jul 01 2022

web apr 12 2023 die mission ist weiblich frauen in der fruhen her 1 8 downloaded from uniport edu ng on april 12 2023 by
guest die mission ist weiblich frauen in der

mission female netzwerk für erfolgreiche frauen - Feb 25 2022

web 8 719 followers 309 posts readytorumble strongertogether missionfemallemember

die mission ist weiblich frauen in der fruhen her pdf - Mar 09 2023

web frauen 2018 der tango ist weiblich das motiv ist weiblich die ausstellung die strategischen vorteile von frauen in zahl der
frauen im vatican steigt beständig vatican

die mission ist weiblich frauen in der fruhen her download - Mar 29 2022

web frederike probert ist gründerin und geschäftsführerin von mission female in den vergangenen 20 jahren machte sie sich

als erfolgreiche unternehmerin in der digitalen

die mission ist weiblich frauen in der frühen hermannsbürger - Nov 05 2022

web die mission ist weiblich frauen in der frühen hermannsbürger mission published 2012 zur politischen bedeutung der frühen hermannsbürger mission in botswana by

die mission ist weiblich frauen in der frühen her verena mahlow - Dec 06 2022

web june 1st 2020 die mission ist weiblich eine hermannsbürger tagung fragte nach den frauen in der mission unter dem programmatischen titel die mission ist weiblich fand

description die mission ist weiblich frauen in der frühen - Oct 04 2022

web may 31 2023 as review die mission ist weiblich frauen in der frühen her pdf what you in the manner of to read international review of biblical studies volume 49 2002

die mission ist weiblich frauen in der frühen hermannsbürger - Feb 08 2023

web nov 19 2010 eine hermannsbürger tagung fragte nach den frauen in der mission unter dem programmatischen titel die mission ist weiblich fand in hermannsburg

die mission ist weiblich quellen und beiträge zur geschichte - Apr 29 2022

web die mission ist weiblich frauen in der frühen her 1 die mission ist weiblich frauen in der frühen her girl code handwörterbuch der staatswissenschaften 55 years of

die mission ist weiblich frauen in der frühen her pdf christian - Sep 03 2022

web may 4 2023 die mission ist weiblich frauen in der frühen hermannsbürger mission quellen und beiträge zur geschichte der hermannsbürger mission und des ev luth

die mission ist weiblich frauen in der frühen hermannsbürger - Nov 24 2021

web die hermannsbürger mission in afrika für die freunde derselben by speckmann f published 1876 jahrbuch der hermannsbürger mission published 1977 die

die mission ist weiblich frauen in der frühen - Aug 14 2023

web die mission ist weiblich frauen in der frühen hermannsbürger mission quellen und beiträge zur geschichte der hermannsbürger mission und des ev luth