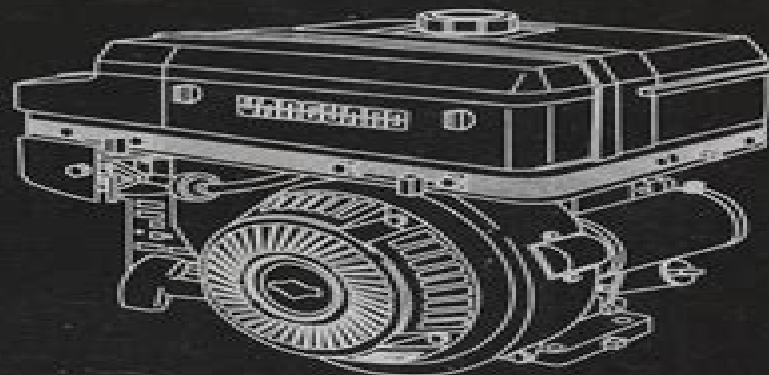
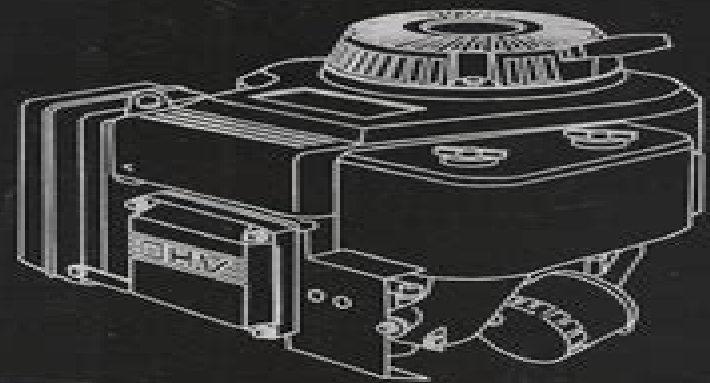
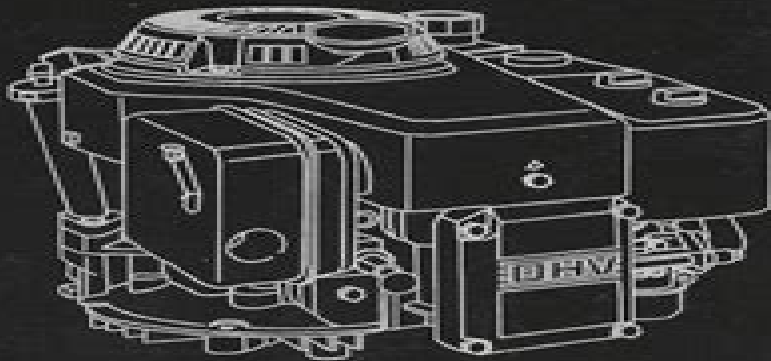




VANGUARD

Repair Manual

For Single Cylinder OHV Engines



Sprint 35 Engine Briggs Stratton Repair Manual

Briggs & Stratton Corp



Sprint 35 Engine Briggs Stratton Repair Manual:

Haynes Small Engine Manual Martynn Randall,2005 The definitive DIY manual on small petrol engines up to 5 5 hp used in lawn mowers rotovators generators compressors pumps mini bikes karts etc General chapters on maintenance fault finding and repair apply to all single cylinder air cooled engines Detailed chapters cover the following Briggs Stratton MAX 4hp 4 stroke Briggs Stratton Intek Europa OHV Briggs Stratton Quantum 55 L head Briggs Stratton I C L head 5 hp Briggs Stratton 35 Sprint Classic 2 6 kW Honda GXV 120 OHV Honda GCV 135 OHC Tecumseh 3 5 hp Vantage 35 4 stroke Tecumseh MV100S 2 stroke **Briggs & Stratton Repair Manual for Single Cylinder 4-cycle Engines** ,1994 *Briggs & Stratton Service Engine Sales Manual* Briggs & Stratton Corp,1969 *Briggs & Stratton Service Manual* Briggs & Stratton Corporation,1987 **Operating and Maintenance Manual with Parts Catalog** ,195? **Briggs and Stratton Service and Repair Manual** ,1977 Small engine : Briggs and Stratton four stroke series ... ,1990 **Operating and Maintenance Manual with Parts Catalog** Briggs & Stratton Corporation,1950 Briggs & Stratton Service and Repair Instructions Briggs & Stratton Corporation,1981 *Repair Manual for Single Cylinder 4-cycle Engines* ,1992 Briggs & Stratton Service and Parts Manual Briggs & Stratton Corporation,19?? **Briggs & Stratton V-twin Cylinder Ohv Repair Manual** Briggs & Stratton Corporation,1991 **Briggs & Stratton** Joan Coles,Clarence W. Coles,1998-05 Covers 4 stroke single cylinder engines from the 1950s forward Keywords General Interest Manuals Briggs & Stratton Service & Repair Instructions , **Repair Instructions** Briggs and Stratton Corp,1973 How to Repair Briggs & Stratton Engines Paul Dempsey,1984-01-01 Step by step instructions to handle all phases of troubleshooting repairing all Briggs Stratton engines *Briggs & Stratton L-Head Engine Service* Penton Staff,2000-05-24 Clymer Manuals ProSeries Briggs Stratton 2 0 12 5 hp single cylinder L head aluminum engine repair manual covers more than 55 models *Briggs and Stratton Repair Instructions II.* Briggs & Stratton Corp,19?? **Service Manual, Engine, Fuel & Electrical Systems (Briggs & Stratton)**. International Harvester Company,1973 **Briggs & Stratton Service and Repair Instructions for Single Cylinder 4-cycle Engines** Briggs & Stratton Corporation,1989

Thank you very much for reading **Sprint 35 Engine Briggs Stratton Repair Manual**. Maybe you have knowledge that, people have search hundreds times for their favorite readings like this Sprint 35 Engine Briggs Stratton Repair Manual, but end up in malicious downloads.

Rather than reading a good book with a cup of coffee in the afternoon, instead they cope with some harmful bugs inside their computer.

Sprint 35 Engine Briggs Stratton Repair Manual is available in our book collection an online access to it is set as public so you can download it instantly.

Our book servers saves in multiple countries, allowing you to get the most less latency time to download any of our books like this one.

Merely said, the Sprint 35 Engine Briggs Stratton Repair Manual is universally compatible with any devices to read

https://letsgetcooking.org.uk/results/uploaded-files/default.aspx/Scotsman_Ice_Machine_Troubleshooting.pdf

Table of Contents Sprint 35 Engine Briggs Stratton Repair Manual

1. Understanding the eBook Sprint 35 Engine Briggs Stratton Repair Manual
 - The Rise of Digital Reading Sprint 35 Engine Briggs Stratton Repair Manual
 - Advantages of eBooks Over Traditional Books
2. Identifying Sprint 35 Engine Briggs Stratton Repair Manual
 - Exploring Different Genres
 - Considering Fiction vs. Non-Fiction
 - Determining Your Reading Goals
3. Choosing the Right eBook Platform
 - Popular eBook Platforms
 - Features to Look for in an Sprint 35 Engine Briggs Stratton Repair Manual
 - User-Friendly Interface
4. Exploring eBook Recommendations from Sprint 35 Engine Briggs Stratton Repair Manual

- Personalized Recommendations
 - Sprint 35 Engine Briggs Stratton Repair Manual User Reviews and Ratings
 - Sprint 35 Engine Briggs Stratton Repair Manual and Bestseller Lists
5. Accessing Sprint 35 Engine Briggs Stratton Repair Manual Free and Paid eBooks
 - Sprint 35 Engine Briggs Stratton Repair Manual Public Domain eBooks
 - Sprint 35 Engine Briggs Stratton Repair Manual eBook Subscription Services
 - Sprint 35 Engine Briggs Stratton Repair Manual Budget-Friendly Options
 6. Navigating Sprint 35 Engine Briggs Stratton Repair Manual eBook Formats
 - ePub, PDF, MOBI, and More
 - Sprint 35 Engine Briggs Stratton Repair Manual Compatibility with Devices
 - Sprint 35 Engine Briggs Stratton Repair Manual Enhanced eBook Features
 7. Enhancing Your Reading Experience
 - Adjustable Fonts and Text Sizes of Sprint 35 Engine Briggs Stratton Repair Manual
 - Highlighting and Note-Taking Sprint 35 Engine Briggs Stratton Repair Manual
 - Interactive Elements Sprint 35 Engine Briggs Stratton Repair Manual
 8. Staying Engaged with Sprint 35 Engine Briggs Stratton Repair Manual
 - Joining Online Reading Communities
 - Participating in Virtual Book Clubs
 - Following Authors and Publishers Sprint 35 Engine Briggs Stratton Repair Manual
 9. Balancing eBooks and Physical Books Sprint 35 Engine Briggs Stratton Repair Manual
 - Benefits of a Digital Library
 - Creating a Diverse Reading Collection Sprint 35 Engine Briggs Stratton Repair Manual
 10. Overcoming Reading Challenges
 - Dealing with Digital Eye Strain
 - Minimizing Distractions
 - Managing Screen Time
 11. Cultivating a Reading Routine Sprint 35 Engine Briggs Stratton Repair Manual
 - Setting Reading Goals Sprint 35 Engine Briggs Stratton Repair Manual
 - Carving Out Dedicated Reading Time
 12. Sourcing Reliable Information of Sprint 35 Engine Briggs Stratton Repair Manual

- Fact-Checking eBook Content of Sprint 35 Engine Briggs Stratton Repair Manual
 - Distinguishing Credible Sources
13. Promoting Lifelong Learning
- Utilizing eBooks for Skill Development
 - Exploring Educational eBooks
14. Embracing eBook Trends
- Integration of Multimedia Elements
 - Interactive and Gamified eBooks

Sprint 35 Engine Briggs Stratton Repair Manual Introduction

In this digital age, the convenience of accessing information at our fingertips has become a necessity. Whether its research papers, eBooks, or user manuals, PDF files have become the preferred format for sharing and reading documents. However, the cost associated with purchasing PDF files can sometimes be a barrier for many individuals and organizations. Thankfully, there are numerous websites and platforms that allow users to download free PDF files legally. In this article, we will explore some of the best platforms to download free PDFs. One of the most popular platforms to download free PDF files is Project Gutenberg. This online library offers over 60,000 free eBooks that are in the public domain. From classic literature to historical documents, Project Gutenberg provides a wide range of PDF files that can be downloaded and enjoyed on various devices. The website is user-friendly and allows users to search for specific titles or browse through different categories. Another reliable platform for downloading Sprint 35 Engine Briggs Stratton Repair Manual free PDF files is Open Library. With its vast collection of over 1 million eBooks, Open Library has something for every reader. The website offers a seamless experience by providing options to borrow or download PDF files. Users simply need to create a free account to access this treasure trove of knowledge. Open Library also allows users to contribute by uploading and sharing their own PDF files, making it a collaborative platform for book enthusiasts. For those interested in academic resources, there are websites dedicated to providing free PDFs of research papers and scientific articles. One such website is Academia.edu, which allows researchers and scholars to share their work with a global audience. Users can download PDF files of research papers, theses, and dissertations covering a wide range of subjects. Academia.edu also provides a platform for discussions and networking within the academic community. When it comes to downloading Sprint 35 Engine Briggs Stratton Repair Manual free PDF files of magazines, brochures, and catalogs, Issuu is a popular choice. This digital publishing platform hosts a vast collection of publications from around the world. Users can search for specific titles or explore various categories and genres. Issuu offers a seamless reading experience with its user-friendly interface and allows users to download PDF files for

offline reading. Apart from dedicated platforms, search engines also play a crucial role in finding free PDF files. Google, for instance, has an advanced search feature that allows users to filter results by file type. By specifying the file type as "PDF," users can find websites that offer free PDF downloads on a specific topic. While downloading Sprint 35 Engine Briggs Stratton Repair Manual free PDF files is convenient, it's important to note that copyright laws must be respected. Always ensure that the PDF files you download are legally available for free. Many authors and publishers voluntarily provide free PDF versions of their work, but it's essential to be cautious and verify the authenticity of the source before downloading Sprint 35 Engine Briggs Stratton Repair Manual. In conclusion, the internet offers numerous platforms and websites that allow users to download free PDF files legally. Whether it's classic literature, research papers, or magazines, there is something for everyone. The platforms mentioned in this article, such as Project Gutenberg, Open Library, Academia.edu, and Issuu, provide access to a vast collection of PDF files. However, users should always be cautious and verify the legality of the source before downloading Sprint 35 Engine Briggs Stratton Repair Manual any PDF files. With these platforms, the world of PDF downloads is just a click away.

FAQs About Sprint 35 Engine Briggs Stratton Repair Manual Books

How do I know which eBook platform is the best for me? Finding the best eBook platform depends on your reading preferences and device compatibility. Research different platforms, read user reviews, and explore their features before making a choice. Are free eBooks of good quality? Yes, many reputable platforms offer high-quality free eBooks, including classics and public domain works. However, make sure to verify the source to ensure the eBook's credibility. Can I read eBooks without an eReader? Absolutely! Most eBook platforms offer web-based readers or mobile apps that allow you to read eBooks on your computer, tablet, or smartphone. How do I avoid digital eye strain while reading eBooks? To prevent digital eye strain, take regular breaks, adjust the font size and background color, and ensure proper lighting while reading eBooks. What's the advantage of interactive eBooks? Interactive eBooks incorporate multimedia elements, quizzes, and activities, enhancing the reader's engagement and providing a more immersive learning experience. Sprint 35 Engine Briggs Stratton Repair Manual is one of the best books in our library for free trial. We provide a copy of Sprint 35 Engine Briggs Stratton Repair Manual in digital format, so the resources that you find are reliable. There are also many eBooks of related with Sprint 35 Engine Briggs Stratton Repair Manual. Where to download Sprint 35 Engine Briggs Stratton Repair Manual online for free? Are you looking for Sprint 35 Engine Briggs Stratton Repair Manual PDF? This is definitely going to save you time and cash in something you should think about. If you're trying to find then search around for online. Without a doubt, there are numerous of these available and many of them have the freedom. However, without a doubt, you receive whatever you purchase. An alternate

way to get ideas is always to check another Sprint 35 Engine Briggs Stratton Repair Manual. This method for see exactly what may be included and adopt these ideas to your book. This site will almost certainly help you save time and effort, money and stress. If you are looking for free books then you really should consider finding to assist you try this. Several of Sprint 35 Engine Briggs Stratton Repair Manual are for sale to free while some are payable. If you arent sure if the books you would like to download works with for usage along with your computer, it is possible to download free trials. The free guides make it easy for someone to free access online library for download books to your device. You can get free download on free trial for lots of books categories. Our library is the biggest of these that have literally hundreds of thousands of different products categories represented. You will also see that there are specific sites catered to different product types or categories, brands or niches related with Sprint 35 Engine Briggs Stratton Repair Manual. So depending on what exactly you are searching, you will be able to choose e books to suit your own need. Need to access completely for Campbell Biology Seventh Edition book? Access Ebook without any digging. And by having access to our ebook online or by storing it on your computer, you have convenient answers with Sprint 35 Engine Briggs Stratton Repair Manual To get started finding Sprint 35 Engine Briggs Stratton Repair Manual, you are right to find our website which has a comprehensive collection of books online. Our library is the biggest of these that have literally hundreds of thousands of different products represented. You will also see that there are specific sites catered to different categories or niches related with Sprint 35 Engine Briggs Stratton Repair Manual So depending on what exactly you are searching, you will be able tochoose ebook to suit your own need. Thank you for reading Sprint 35 Engine Briggs Stratton Repair Manual. Maybe you have knowledge that, people have search numerous times for their favorite readings like this Sprint 35 Engine Briggs Stratton Repair Manual, but end up in harmful downloads. Rather than reading a good book with a cup of coffee in the afternoon, instead they juggled with some harmful bugs inside their laptop. Sprint 35 Engine Briggs Stratton Repair Manual is available in our book collection an online access to it is set as public so you can download it instantly. Our digital library spans in multiple locations, allowing you to get the most less latency time to download any of our books like this one. Merely said, Sprint 35 Engine Briggs Stratton Repair Manual is universally compatible with any devices to read.

Find Sprint 35 Engine Briggs Stratton Repair Manual :

scotsman ice machine troubleshooting

scope for lo grade 9

scope mathematics paper one grd11

scottish nation 1702000

scientific notation word problems grade 8

scott standard postage stamp catalogue 2014

science webquests fill in the blanks

science study guide for 7th grade

scope for life science paper 1 final exam

scope for life sciences paper 1 for final exam

scientific notebook chemistry chapter 7 answers

scope for life science march paper grade12 2014

scott stamp magazine 2008 01 2009 06 2008

scorpion les signes du zodiaque

scott protege manual

Sprint 35 Engine Briggs Stratton Repair Manual :

fr final fantasy encyclopédie officielle memorial ultimania - Feb 12 2023

web jul 2 2021 throughout the 336 pages of the second book of this commemorative work relive episodes i ii iii iv v and vi of final fantasy like never before final fantasy encyclopédie officielle memorial ultimania vol 3 price 39 90 region france belgium switzerland canada publisher mana books language french

final fantasy official memorial ultimania thalia - Apr 14 2023

web may 30 2023 final fantasy official memorial ultimania final fantasy official memorial ultimania final fantasy official memorial ultimania i ii ii iv v vi behandelt die spiele i ii iii iv v und vi buch gebundene ausgabe 39 99 inkl gesetzl mwst versandkostenfrei artikel liefern lassen erscheint am 30 5 2023 vorbestellen click collect

final fantasy official memorial ultimania amazon de - Nov 09 2022

web final fantasy official memorial ultimania final fantasy official memorial ultimania vii bis ix behandelt die spiele vii viii und ix christiansen lasse christian amazon de bücher

final fantasy official memorial ultimania carlsen - May 15 2023

web die buchreihe memorial ultimania bietet den fans drei wahrlich ultimative großformatige enzyklopädien zu final fantasy mit vielen exklusiven illustrationen infos und produktionsnotizen final fantasy official memorial ultimania carlsen

final fantasy official memorial ultimania book vi 2022 new - Apr 02 2022

web final fantasy official memorial ultimania book 1 vii viii ix final fantasy ultimania archive volume 3 final fantasy xiv stormblood the art of the revolution eastern memories

final fantasy official memorial ultimania final fantasy official - Jun 04 2022

web final fantasy official memorial ultimania von jetzt online bestellen portofrei schnell zuverlässig kein mindestbestellwert individuelle rechnung 20 millionen titel hugendubel info die online buchhandlung für geschäftskund innen

final fantasy 25th memorial ultimania vol 3 book x xi xii xiii xi - Mar 01 2022

web jan 1 2012 this book feature the remembrance of the well known video game franchise that swept the entire world celebrating their 25th anniversary in the second volume it includes the final fantasy x to final fantasy xiv there are character designs story digest screen caps sketch works from the famous artist yoshitaka amano and more

final fantasy 25th memorial ultimania vol 2 art book - Jul 05 2022

web jan 1 2012 this book feature the remembrance of the well known video game franchise that swept the entire world celebrating their 25th anniversary in the second volume it includes the final fantasy vii to final fantasy ix there are character designs story digest screen caps sketch works from the famous artist yoshitaka amano and more

final fantasy viii ultimania final fantasy wiki fandom - Sep 07 2022

web the final fantasy viii ultimania is a book about final fantasy viii originally published in japan by digicube in 1999 and re released by square enix in 2006 the book is generally spoiler free and has no pictures of the final bosses who are simply referred to as last boss after selected

final fantasy official memorial ultimania x bis xiv official - Dec 10 2022

web 02 07 2024 weitere details weitere bände von final fantasy official memorial ultimania lasse christian christiansen final fantasy official memorial ultimania final fantasy official memorial ultimania vii bis ix buch 39 99

final fantasy official memorial ultimania final fantasy thalia - Mar 13 2023

web beschreibung final fantasy official memorial ultimania final fantasy official memorial ultimania final fantasy official memorial ultimania vii bis ix behandelt die spiele vii viii und ix buch gebundene ausgabe 39 99 inkl gesetzl mwst versandkostenfrei 2 artikel liefern lassen sofort lieferbar in den warenkorb click collect

final fantasy ultimania archive final fantasy wiki fandom - Sep 19 2023

web the final fantasy ultimania archive books are a series of guidebooks concerning the first fourteen titles of the final fantasy series the original japanese editions are titled the final fantasy 25th memorial ultimania and released in december 18 2012 25 years after the release of the original

final fantasy ultimania archive volume 1 amazon com - May 03 2022

web jul 24 2018 this is a quick review of the book from darkhorses latest production the final fantasy ultimania archive this book covers covers final fantasy 1 6 in various sections the various sections for all the final fantasy games are listed as follows 1 art 2 final fantasy insert number here story 3 characters 4 world 5 monsters 6

final fantasy official memorial ultimania book 1 vii viii ix - Jan 11 2023

web nov 27 2018 final fantasy official memorial ultimaniamanual.com book 1 vii viii ix behandelt die spiele vii viii und ix 9783551726889 amazon.com books books

final fantasy official memorial ultimaniamanual.com book 2 i ii iii iv v vi - Oct 08 2022

web hardcover die rollenspielreihe final fantasy aus dem hause square enix hat massstäbe gesetzt und weltweit alle verkaufsrekorde gebrochen vor über 30 jahren erschien das erste spiel seitdem folgen regelmässig neue teile geremasterte versionen und spiele app editionen für smartphones

final fantasy vi the complete final fantasy wiki fandom - Aug 06 2022

web final fantasy vi the complete is a guide book for final fantasy vi published in september 1994 by ntt publishing it gives rich information about most areas of the game and is sometimes seen as the game's ultimaniamanual.com guide before ultimaniamanual.com were created

final fantasy official memorial ultimaniamanual.com book vi the green route - Jan 31 2022

web essential book to re discover the universe of the mythical series final fantasy extract to celebrate one of the most important rpgs in the history of video games third editions has decided

list of square enix companion books wikipedia - Aug 18 2023

web the highest selling square enix companion books are final fantasy viii ultimaniamanual.com over 2.2 million copies and final fantasy x scenario ultimaniamanual.com over 1 million copies all of the books have been released solely in japanese but dark horse books published english translations of the three volume 2012 final fantasy 25th memorial ultimaniamanual.com as

final fantasy official memorial ultimaniamanual.com final fantasy official - Jul 17 2023

web die buchreihe memorial ultimaniamanual.com bietet den zahllosen fans drei wahrlich ultimative großformatige enzyklopädien zu final fantasy mit vielen exklusiven illustrationen infos und produktionsnotizen die erstauflage

final fantasy official memorial ultimaniamanual.com amazon.de - Jun 16 2023

web aug 29 2023 final fantasy official memorial ultimaniamanual.com final fantasy official memorial ultimaniamanual.com i bis vi behandelt die spiele i ii iii iv v und vi christiansen lasse christian isbn 9783551726896 kostenloser versand für alle bücher mit versand und verkauf durch amazon

half life introductory chemistry lumen learning - Jul 04 2022

web solution if we compare the time that has passed to the isotope's half life we note that 44.0 s is exactly 4 half lives so using the previous expression $n = 4$ substituting and solving results in the following less than one third of a gram of fluorine-20 remains test yourself the half life of titanium-44 is 60.0 y

31.5 half life and activity college physics 2e openstax - May 02 2022

web learning objectives by the end of this section you will be able to define half life define dating calculate age of old objects

by radioactive dating unstable nuclei decay however some nuclides decay faster than others for example radium and polonium discovered by the curies decay faster than uranium

15 3 half life chemistry libretexts - Apr 13 2023

web the half life of a specific radioactive isotope is constant it is unaffected by conditions and is independent of the initial amount of that isotope consider the following example suppose we have 100 0 g of tritium a radioactive isotope of hydrogen

11 2 half life the basics of general organic and biological - Apr 01 2022

web the half life of a radioactive isotope is the amount of time it takes for one half of the radioactive isotope to decay the half life of a specific radioactive isotope is constant it is unaffected by conditions and is independent of the initial amount of that isotope

half life questions practice questions of half life with answer - Oct 19 2023

web half life chemistry questions with solutions q1 an isotope of caesium cs 137 has a half life of 30 years if 1 0g of cs 137 disintegrates over a period of 90 years how many grams of cs 137 would remain a 1 25 g b 0 125 g c 0 00125 g d 12 5 g correct answer b 0 125 g q2 selenium 83 has a half life of 25 0 minutes

5 7 calculating half life chemistry libretexts - Nov 08 2022

web each radioactive isotope will have its own unique half life that is independent of any of these factors figure pageindex 1 for cobalt 60 which has a half life of 5 27 years 50 remains after 5 27 years one half life 25 remains after 10 54 years two half lives 12 5 remains after 15 81 years three half lives and so on

3 1 half life chemistry libretexts - Mar 12 2023

web the half life of a radioactive isotope is the amount of time it takes for one half of the radioactive isotope to decay the half life of a specific radioactive isotope is constant it is unaffected by conditions and is independent of the initial amount of that isotope

half life wjec half lives of isotopes used in gcse questions - Jun 15 2023

web question the half life of a radioactive isotope is 27 years how long will its mass take to fall from 2 g to 0 25 g question the activity of an isotope falls from 600 bq becquerel to

what is the half life of an isotope if 125 g of a 500 g sample of the - Feb 28 2022

web oct 27 2016 find an answer to your question what is the half life of an isotope if 125 g of a 500 g sample of the isotope remains after 3 0 years a 3 5 years b 4 5 y

half life problems mrs n nelson s science website - Sep 18 2023

web half life problems name block 1 an isotope of cesium cesium 137 has a half life of 30 years if 1 0 g of cesium 137 disintegrates over a period of 90 years how many g of cesium 137 would remain a we r 2 actinium 226 has a half life of 29

hours

[10 half life problems and answers examples edutized](#) - Aug 17 2023

web we utilize the equation that relate amount remaining initial mass and number of half lives $n = \frac{t}{T} \times n_0$ 1 2 $n = n_0 \left(\frac{1}{2}\right)^{\frac{t}{T}}$ 2 4 x 50 3 125 g 5 what is the half life of an isotope that is 80 remained after 16 days solution remaining 80 100 therefore $n = \frac{t}{T} \times n_0$ 100 now using the half life equation in example 1 we have

half life practice questions loudoun county public schools - Oct 07 2022

web what is the half life of this radioisotope after 2 days 5 grams of the radioisotope 1 day b 2 days c 5 days d 4 days 3 the ratio of uranium 238 to lead 206 in a mineral is used to determine age b density c solubility d composition 4 a radioactive isotope has a half life of 10 years

[half life introductory chemistry 1st canadian edition](#) - May 14 2023

web chapter 15 nuclear chemistry half life learning objectives define half life determine the amount of radioactive substance remaining after a given number of half lives whether or not a given isotope is radioactive is a characteristic of that particular isotope

11 2 half life chemistry libretxts - Jun 03 2022

web the half life of a radioactive isotope is the amount of time it takes for one half of the radioactive isotope to decay the half life of a specific radioactive isotope is constant it is unaffected by conditions and is independent of the initial amount of that isotope

22 3 half life and radiometric dating physics openstax - Sep 06 2022

web section learning objectives by the end of this section you will be able to do the following explain radioactive half life and its role in radiometric dating calculate radioactive half life and solve problems associated with radiometric dating section key terms half life and the rate of radioactive decay unstable nuclei decay

how to do half life problems of radioactive isotopes youtube - Jan 10 2023

web chemin10 7 03k subscribers subscribe 35k views 7 years ago nuclear chemistry how to solve half life problems chemin10 com determine the half life of a radioactive isotope

radtown radioactive atom activity 5 half life us epa - Dec 09 2022

web jul 24 2023 directions common core state standards printable worksheets and classroom aids objectives students will learn about radioactive decay and decay chains demonstrate the concept of half life calculate and chart the half life of a given sample discuss the significance of knowing the half life of radioactive elements

[half life github pages](#) - Aug 05 2022

web solution if we compare the time that has passed to the isotope s half life we note that 44 0 s is exactly 4 half lives so

using the previous equation n 4 substituting and solving results in the following less than one third of a gram of 20 f remains
skill building exercise the half life of 44 ti is 60 0 y

chemteam half life problems 1 10 - Jul 16 2023

web solution 7 2 2 4 3 half lives 1 2 0 125 the amount remaining after 3 half lives 100 0 g x 0 125 12 5 g remaining problem 2
pd 100 has a half life of 3 6 days if one had 6 02 x 10 atoms at the start how many atoms would be present after 20 0 days
solution 20 0 3 6 5 56 half lives

half life wjec test questions bbc - Feb 11 2023

web radioactive isotopes are used for blood flow monitoring cancer treatment paper mills carbon dating and smoke alarms
each isotope used in these applications has a characteristic half life

art oracles creative life inspiration from the great artists - Dec 16 2021

web be guided and inspired by the world s greatest artists with this creative set of oracle cards are you suffering from
creative block struggling to make a difficult life decision

art oracles creative life inspiration from the great artists - Aug 04 2023

web art oracles creative life inspiration from the great artists cards tylevich katya and sommer christensen mikkell kartlar
İngilizce baskı 625 değerlendirme tüm biçimleri ve

art oracles creative life inspiration abebooks - Oct 26 2022

web simply select an artist s card from the pack select the oracles advice on life work or inspiration and any obstacle
becomes surmountable contains 50 oracle cards plus a

art oracles creative life inspiration from the great artists - May 01 2023

web art oracles creative life inspiration from great artists kahlo and other great artists would have done simply select an
artist s card from the pack select the oracles

art oracles creative life inspiration from great artists - Mar 31 2023

web find out what picasso pollock kahlo and other great artists would have done simply select an artist s card from the pack
select the oracle s advice on life work or

art oracles creative life inspiration from the great artists - Jul 23 2022

web nov 13 2017 magic written by kayla tylevich and illustrated by mikel sommer it s a beautiful deck gold foiled no less
that has the ability to be light and yet serious enough

art oracles creative life inspiration from the great artists - Feb 15 2022

web buy art oracles creative and life inspiration from the great artists by katya tylevich mikkell sommer online at alibris we
have new and used copies available in 1 editions

art oracles laurence king publishing uk - Feb 27 2023

web art oracles creative life inspiration from great artists tylevich katya published by laurence king publishing 2017 isbn 10 1786270137 isbn 13 9781786270139 new

art oracles creative and life inspiration from the great artists - Jan 17 2022

web aug 7 2017 ua 204021962 1 ua 204021962 2 ua 204021962 3 skip to main content toggle menu compare search sign in or register cart

art oracles creative life inspiration from the great artists - Jul 03 2023

web this item art oracles creative life inspiration from the great artists 26 96 26 96 only 4 left in stock more on the way ships from and sold by amazon au music

art oracles creative and life inspiration from 50 artists - Nov 26 2022

web art oracles creative life inspiration from the great artists by tylevich katya and a great selection of related books art and collectibles available now at abebooks co uk

amazon com customer reviews art oracles creative amp life - Apr 19 2022

web jul 1 2017 booktopia has art oracles creative life inspiration from the great artists by katya tylevich buy a discounted card or card deck of art oracles online from

combat creative block with life lessons from - Jun 02 2023

web this item art oracles creative life inspiration from the great artists s 26 49 s 26 49 in stock ships from and sold by amazon sg music oracles creative life

review art oracles creative life inspiration from the great artists - Jun 21 2022

web art oracles creative life inspiration from the great artists be guided and inspired by the world s greatest artists with this creative set of oracle cards are you suffering from

art oracles creative and life inspiration from 50 artists - Dec 28 2022

web aug 28 2017 art oracles creative and life inspiration from 50 artists 50 by katya tylevich mikkel sommer christensen illustrator view more 16 99 16 99 learn

art oracles creative life inspiration from the great - Sep 05 2023

web buy art oracles creative life inspiration from the great artists 1 by tylevich katya sommer christensen mikkel isbn 9781786270139 from amazon s book store

art oracles creative life inspiration from great artists - Nov 14 2021

art oracles creative life inspiration from the great artists - May 21 2022

web nov 12 2022 each card has three little blurbs on it pithy insights on how to approach work life and creativity in the spirit of the artist depicted one thing i liked about this

[art oracles creative life inspiration from great artists](#) - Oct 06 2023

web aug 8 2017 art oracles creative life inspiration from great artists cards august 8 2017 by katya tylevich author mikkel sommer christensen illustrator 4 7 4 7 out

art oracles creative life inspiration from great artists - Jan 29 2023

web art oracles creative and life inspiration from 50 artists tylevich katya christensen mikkel sommer 9781786270139 music oracles creative life inspiration from

art oracles creative and life inspiration from 50 artists bookshop - Aug 24 2022

web jul 1 2017 be guided and inspired by the world s greatest artists with this creative set of oracle cards are you suffering from creative block struggling to make a difficult life

[art oracles creative life inspiration from the great artists by](#) - Mar 19 2022

web be guided and inspired by the world s greatest artists with this creative set of oracle cards are you suffering from creative block struggling to make a difficult life decision

art oracles creative and life inspiration from the great artists - Sep 24 2022

web aug 8 2017 find out what picasso pollock kahlo and other great artists would have done simply select an artist s card from the pack select the oracles advice on life