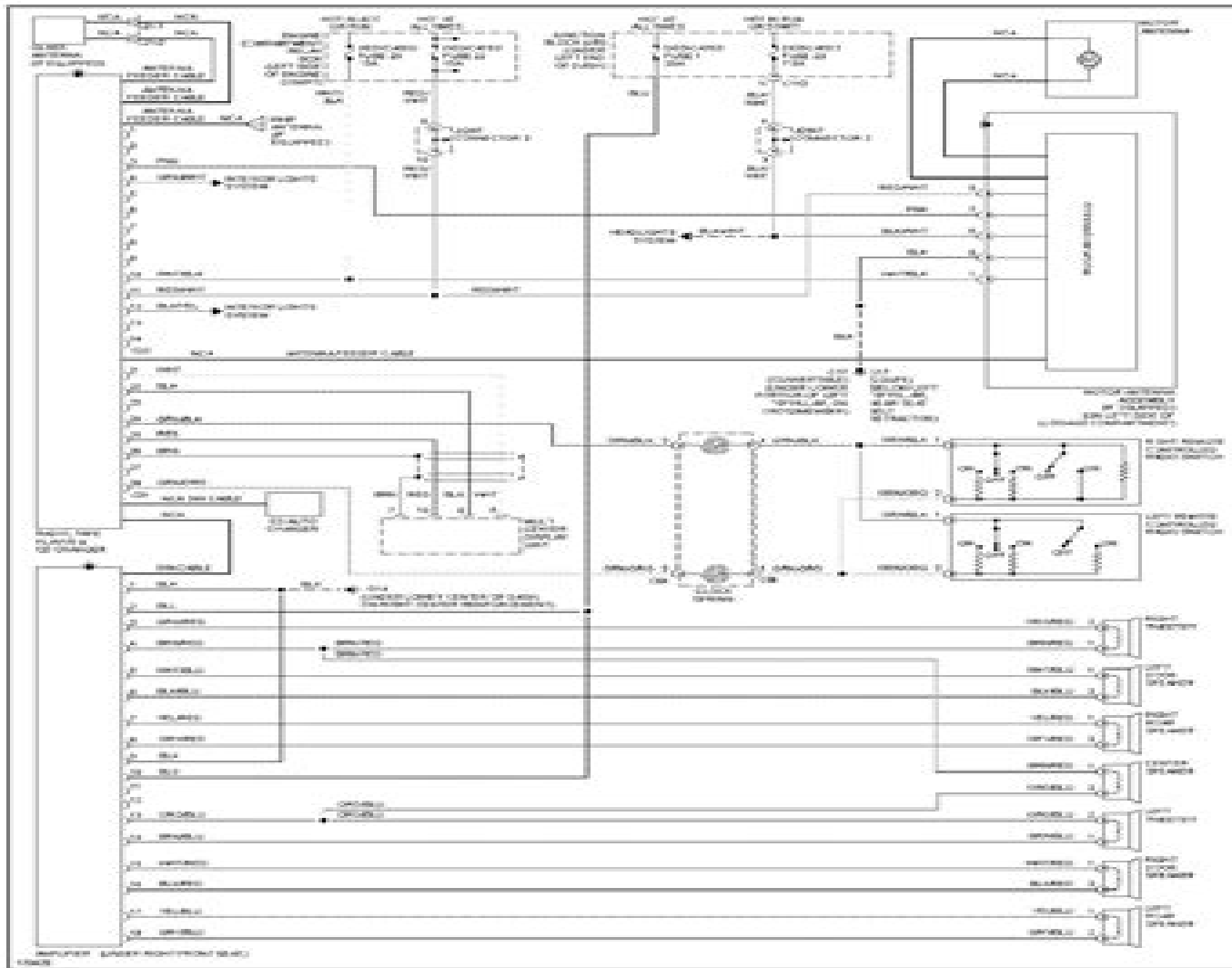


2003 Mitsubishi Eclipse Spyder GT-Fig. 57: Radio Circuit, W/ Amplifier



Spyder Eclipse Alternator Wire Harness Diagram

Jin-Ying Zhang



Spyder Eclipse Alternator Wire Harness Diagram:

Chilton's Import Car Manual , 1991

Reviewing **Spyder Eclipse Alternator Wire Harness Diagram**: Unlocking the Spellbinding Force of Linguistics

In a fast-paced world fueled by information and interconnectivity, the spellbinding force of linguistics has acquired newfound prominence. Its capacity to evoke emotions, stimulate contemplation, and stimulate metamorphosis is really astonishing. Within the pages of "**Spyder Eclipse Alternator Wire Harness Diagram**," an enthralling opus penned by a very acclaimed wordsmith, readers attempt an immersive expedition to unravel the intricate significance of language and its indelible imprint on our lives. Throughout this assessment, we shall delve to the book is central motifs, appraise its distinctive narrative style, and gauge its overarching influence on the minds of its readers.

<https://letsgetcooking.org.uk/data/detail/Documents/systems%20word%20problems%20by%20gina%20wilson%20answers.pdf>

Table of Contents Spyder Eclipse Alternator Wire Harness Diagram

1. Understanding the eBook Spyder Eclipse Alternator Wire Harness Diagram
 - The Rise of Digital Reading Spyder Eclipse Alternator Wire Harness Diagram
 - Advantages of eBooks Over Traditional Books
2. Identifying Spyder Eclipse Alternator Wire Harness Diagram
 - Exploring Different Genres
 - Considering Fiction vs. Non-Fiction
 - Determining Your Reading Goals
3. Choosing the Right eBook Platform
 - Popular eBook Platforms
 - Features to Look for in an Spyder Eclipse Alternator Wire Harness Diagram
 - User-Friendly Interface
4. Exploring eBook Recommendations from Spyder Eclipse Alternator Wire Harness Diagram
 - Personalized Recommendations
 - Spyder Eclipse Alternator Wire Harness Diagram User Reviews and Ratings

- Spyder Eclipse Alternator Wire Harness Diagram and Bestseller Lists
- 5. Accessing Spyder Eclipse Alternator Wire Harness Diagram Free and Paid eBooks
 - Spyder Eclipse Alternator Wire Harness Diagram Public Domain eBooks
 - Spyder Eclipse Alternator Wire Harness Diagram eBook Subscription Services
 - Spyder Eclipse Alternator Wire Harness Diagram Budget-Friendly Options
- 6. Navigating Spyder Eclipse Alternator Wire Harness Diagram eBook Formats
 - ePub, PDF, MOBI, and More
 - Spyder Eclipse Alternator Wire Harness Diagram Compatibility with Devices
 - Spyder Eclipse Alternator Wire Harness Diagram Enhanced eBook Features
- 7. Enhancing Your Reading Experience
 - Adjustable Fonts and Text Sizes of Spyder Eclipse Alternator Wire Harness Diagram
 - Highlighting and Note-Taking Spyder Eclipse Alternator Wire Harness Diagram
 - Interactive Elements Spyder Eclipse Alternator Wire Harness Diagram
- 8. Staying Engaged with Spyder Eclipse Alternator Wire Harness Diagram
 - Joining Online Reading Communities
 - Participating in Virtual Book Clubs
 - Following Authors and Publishers Spyder Eclipse Alternator Wire Harness Diagram
- 9. Balancing eBooks and Physical Books Spyder Eclipse Alternator Wire Harness Diagram
 - Benefits of a Digital Library
 - Creating a Diverse Reading Collection Spyder Eclipse Alternator Wire Harness Diagram
- 10. Overcoming Reading Challenges
 - Dealing with Digital Eye Strain
 - Minimizing Distractions
 - Managing Screen Time
- 11. Cultivating a Reading Routine Spyder Eclipse Alternator Wire Harness Diagram
 - Setting Reading Goals Spyder Eclipse Alternator Wire Harness Diagram
 - Carving Out Dedicated Reading Time
- 12. Sourcing Reliable Information of Spyder Eclipse Alternator Wire Harness Diagram
 - Fact-Checking eBook Content of Spyder Eclipse Alternator Wire Harness Diagram
 - Distinguishing Credible Sources

13. Promoting Lifelong Learning
 - Utilizing eBooks for Skill Development
 - Exploring Educational eBooks
14. Embracing eBook Trends
 - Integration of Multimedia Elements
 - Interactive and Gamified eBooks

Spyder Eclipse Alternator Wire Harness Diagram Introduction

In today's digital age, the availability of Spyder Eclipse Alternator Wire Harness Diagram books and manuals for download has revolutionized the way we access information. Gone are the days of physically flipping through pages and carrying heavy textbooks or manuals. With just a few clicks, we can now access a wealth of knowledge from the comfort of our own homes or on the go. This article will explore the advantages of Spyder Eclipse Alternator Wire Harness Diagram books and manuals for download, along with some popular platforms that offer these resources. One of the significant advantages of Spyder Eclipse Alternator Wire Harness Diagram books and manuals for download is the cost-saving aspect. Traditional books and manuals can be costly, especially if you need to purchase several of them for educational or professional purposes. By accessing Spyder Eclipse Alternator Wire Harness Diagram versions, you eliminate the need to spend money on physical copies. This not only saves you money but also reduces the environmental impact associated with book production and transportation. Furthermore, Spyder Eclipse Alternator Wire Harness Diagram books and manuals for download are incredibly convenient. With just a computer or smartphone and an internet connection, you can access a vast library of resources on any subject imaginable. Whether you're a student looking for textbooks, a professional seeking industry-specific manuals, or someone interested in self-improvement, these digital resources provide an efficient and accessible means of acquiring knowledge. Moreover, PDF books and manuals offer a range of benefits compared to other digital formats. PDF files are designed to retain their formatting regardless of the device used to open them. This ensures that the content appears exactly as intended by the author, with no loss of formatting or missing graphics. Additionally, PDF files can be easily annotated, bookmarked, and searched for specific terms, making them highly practical for studying or referencing. When it comes to accessing Spyder Eclipse Alternator Wire Harness Diagram books and manuals, several platforms offer an extensive collection of resources. One such platform is Project Gutenberg, a nonprofit organization that provides over 60,000 free eBooks. These books are primarily in the public domain, meaning they can be freely distributed and downloaded. Project Gutenberg offers a wide range of classic literature, making it an excellent resource for literature enthusiasts. Another popular platform for Spyder Eclipse Alternator Wire Harness Diagram books and manuals is Open Library. Open Library is an initiative of the

Internet Archive, a non-profit organization dedicated to digitizing cultural artifacts and making them accessible to the public. Open Library hosts millions of books, including both public domain works and contemporary titles. It also allows users to borrow digital copies of certain books for a limited period, similar to a library lending system. Additionally, many universities and educational institutions have their own digital libraries that provide free access to PDF books and manuals. These libraries often offer academic texts, research papers, and technical manuals, making them invaluable resources for students and researchers. Some notable examples include MIT OpenCourseWare, which offers free access to course materials from the Massachusetts Institute of Technology, and the Digital Public Library of America, which provides a vast collection of digitized books and historical documents. In conclusion, Spyder Eclipse Alternator Wire Harness Diagram books and manuals for download have transformed the way we access information. They provide a cost-effective and convenient means of acquiring knowledge, offering the ability to access a vast library of resources at our fingertips. With platforms like Project Gutenberg, Open Library, and various digital libraries offered by educational institutions, we have access to an ever-expanding collection of books and manuals. Whether for educational, professional, or personal purposes, these digital resources serve as valuable tools for continuous learning and self-improvement. So why not take advantage of the vast world of Spyder Eclipse Alternator Wire Harness Diagram books and manuals for download and embark on your journey of knowledge?

FAQs About Spyder Eclipse Alternator Wire Harness Diagram Books

1. Where can I buy Spyder Eclipse Alternator Wire Harness Diagram books? Bookstores: Physical bookstores like Barnes & Noble, Waterstones, and independent local stores. Online Retailers: Amazon, Book Depository, and various online bookstores offer a wide range of books in physical and digital formats.
2. What are the different book formats available? Hardcover: Sturdy and durable, usually more expensive. Paperback: Cheaper, lighter, and more portable than hardcovers. E-books: Digital books available for e-readers like Kindle or software like Apple Books, Kindle, and Google Play Books.
3. How do I choose a Spyder Eclipse Alternator Wire Harness Diagram book to read? Genres: Consider the genre you enjoy (fiction, non-fiction, mystery, sci-fi, etc.). Recommendations: Ask friends, join book clubs, or explore online reviews and recommendations. Author: If you like a particular author, you might enjoy more of their work.
4. How do I take care of Spyder Eclipse Alternator Wire Harness Diagram books? Storage: Keep them away from direct sunlight and in a dry environment. Handling: Avoid folding pages, use bookmarks, and handle them with clean hands.

- Cleaning: Gently dust the covers and pages occasionally.
5. Can I borrow books without buying them? **Public Libraries:** Local libraries offer a wide range of books for borrowing. **Book Swaps:** Community book exchanges or online platforms where people exchange books.
 6. How can I track my reading progress or manage my book collection? **Book Tracking Apps:** Goodreads, LibraryThing, and Book Catalogue are popular apps for tracking your reading progress and managing book collections. **Spreadsheets:** You can create your own spreadsheet to track books read, ratings, and other details.
 7. What are Spyder Eclipse Alternator Wire Harness Diagram audiobooks, and where can I find them? **Audiobooks:** Audio recordings of books, perfect for listening while commuting or multitasking. **Platforms:** Audible, LibriVox, and Google Play Books offer a wide selection of audiobooks.
 8. How do I support authors or the book industry? **Buy Books:** Purchase books from authors or independent bookstores. **Reviews:** Leave reviews on platforms like Goodreads or Amazon. **Promotion:** Share your favorite books on social media or recommend them to friends.
 9. Are there book clubs or reading communities I can join? **Local Clubs:** Check for local book clubs in libraries or community centers. **Online Communities:** Platforms like Goodreads have virtual book clubs and discussion groups.
 10. Can I read Spyder Eclipse Alternator Wire Harness Diagram books for free? **Public Domain Books:** Many classic books are available for free as they're in the public domain. **Free E-books:** Some websites offer free e-books legally, like Project Gutenberg or Open Library.

Find Spyder Eclipse Alternator Wire Harness Diagram :

[systems word problems by gina wilson answers](#)

[t4 1 service manual](#)

[system wiring diagram 1999 mazda premacy](#)

[tacho pro user manual 307](#)

[synology cs407e manual](#)

[take charge today worksheets answers](#)

[sysmex flagging interpretation guide](#)

taken by the sheikh english edition

[syudy guide answers for biology](#)

[tad740ge service manual](#)

[t c encore parts diagram](#)

[taken by vikings historical viking fertile erotica english edition](#)

taco hy vent air vent instructions

[synthesis essay outline ap lang](#)

[t mobile mytouch owners manual](#)

Spyder Eclipse Alternator Wire Harness Diagram :

Essential Further Mathematics Fourth Edition... by Jones ... The Further Mathematics 3rd Edition Teacher CD-ROM contains a wealth of time-saving assessment and classroom resources including: modifiable chapter tests ... Essential Further Mathematics 4th Edition Enhanced TI-N/ ... New in the Essential Further Mathematics 4th Edition Enhanced TI-N/CP Version: Integrated CAS calculator explanations, examples and problems have been ... Essential Further Mathematics Fourth Edition Enhanced ... Essential Further Mathematics Fourth Edition Enhanced Tin/Cp Version Interactive Textbook. by Peter Jones and Michael Evans and Kay Lipson. 0.0. No Ratings ... Cambridge Essential Further Mathematics 4th Edition PDF Cambridge Essential Further Mathematics 4th Edition.pdf - Free ebook download as PDF File (.pdf), Text File (.txt) or read book online for free. Essential Further Mathematics Fourth Edition Enhanced ... Buy Essential Further Mathematics Fourth Edition Enhanced TIN/CP Version Essential Mathematics , Pre-Owned Paperback 1107655900 9781107655904 Peter Jones, ... Essential Further Mathematics Fourth Edition Enhanced ... Essential Further Mathematics Fourth Edition Enhanced TIN/CP Version (Essential Mathematics) - Softcover. Jones, Peter; Evans, Michael; Lipson, Kay. Engineering Mathematics, 4th ed.pdf bers, statistics, differential calculus, integral calculus and further number and algebra. This new edition will cover the following syl- labuses: (i) ... applied-mathematics-by-david-logan-4th-edition.pdf The fourth edition of Applied Mathematics shares the same goals, philosophy, and style as its predecessors—to introduce key ideas about mathematical. Essential Mathematics for the Australian Curriculum Year 9 ... The online version of the student text delivers a host of interactive features to enhance the teaching and learning experience, and when connected to a class ... Chapter 6 Solutions | Prelude To Programming 6th Edition Access Prelude to Programming 6th Edition Chapter 6 solutions now. Our solutions are written by Chegg experts so you can be assured of the highest quality! Ch06 Evens Answers Prelude 6ed - Prelude to Programming Prelude to Programming, 6th EditionElizabeth Drake Answers to Even-Numbered Review QuestionsPrelude to Programming Chapter6 2.Pseudorandom number 4. 013374227X tb06 - Prelude to Programming 6th edition... View Homework Help - 013374227X _tb06 from ITSE 1402 at Central Texas College. Prelude to Programming 6th edition Elizabeth Drake Test Bank for Prelude to ... Test Bank for Prelude to Programming, 6/E 6th Edition Prelude to Programming 6th edition Elizabeth Drake. Test Bank for Prelude to Programming Chapter 6. MULTIPLE CHOICE. 1. If Number = 4, what possible

numbers ... Test Bank for Prelude to Programming 6 e 6th Edition ... Test Bank for Prelude to Programming, · 1. True/False: The Analytical Engine was developed by Charles Babbage, assisted by Ada · 2. True/False: In early computers ...

Prelude+to+Programming+Concepts+and+Design ... The Review Exercises in each chapter contain Multiple Choice, True/False, Short Answer, and a Programming Challenges section. All Challenge problems are ... Prelude to programming Edition 6 SDEV120 FINALS Prelude to programming Edition 6 SDEV120 FINALS. Flashcards · Learn · Test · Match ...

chapters and examples saved should say chapter folders>1.1 ex etc doing ... Test Bank for Prelude to Programming Chapter 2 Test Bank for Prelude to Programming Chapter 2 MULTIPLE CHOICE 1. In the first phase of the program development cycle you should: a. make a hierarchy chart ... Prelude to Programming, 6th edition Jul 14, 2021 — Run It: Self-Grading Math Test; Problem Statement; Developing and Creating the Program; Check It Out; Chapter Review and Exercises. Searching ... I have a 2001 Daewoo Lanos. The engine revs is too fast. It Feb 22, 2008 — The first thing to do is to disconnect the idle air control valve. This is located on the side of the throttle body (where the throttle cable ... Daewoo Lanos Idle Rev issue Apr 1, 2010 — The car is a W reg. The problem is that the revs idle at around 1k, she says that when she is driving she can hear the revs going high even ... Daewoo Lanos high Idle speed Hi,. My Daewoo Lanos is having a problem with its idle speed being too high. At a standstill it idles at about 1600rpm, and can be a bit embarrassing SOLVED: My daewoo lanos 1999 wont idle at the lights it Feb 23, 2011 — Remove the idle air control motor (IAC) and clean it well and the hole it comes out of with throttle body spray cleaner, or carburetor cleaner ... Daewoo Lanos Stalls: causes and solutions Hello, I have a Lanos and its problem is that it is always powerless and tends to stall. When turning the air conditioning on, this failure is even more ... Rough Idle: Hi Again Everyone, My Lanos ... May 21, 2009 — Hi Again everyone, my lanos idles very rough, doesn't stall, seems to lack power when driving, recently replaced plugs, leads, air filter ... My 2001 Daewoo has a rough idle after. Dec 30, 2012 — It shakes and studders a lot. Sometimes the car stalls and I have to press the gas pedal in order for the car to keep running. After it warms up ... my 2001 daewoo lanos keeps dying when i come to a stop Jun 2, 2014 — I have Daewoo lanos 16v it can't start plugs firering timing is good i sprey qikstart meas start fluid nothing happen it doesn't have camshaft ... Daewoo Matiz Idle Woes - YouTube Daewoo Lanos Idle Air Control Valve Order Daewoo Lanos Idle Air Control Valve online today. Free Same Day Store Pickup. Check out free battery charging and engine diagnostic testing while you ...