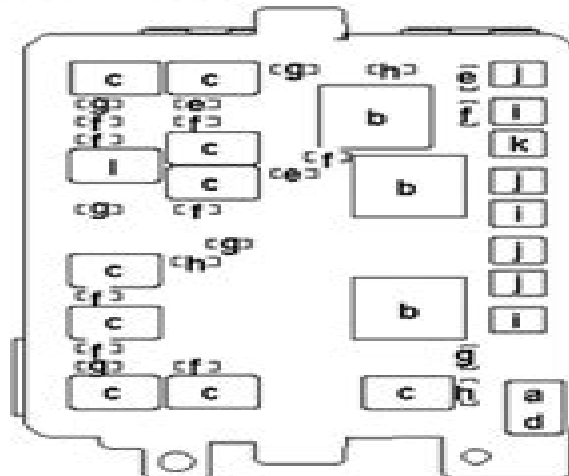


VIEW A



SYMBOL	KEY NO.	PART NAME	REMARK
a	91826A	FUSE-SLOW BLOW	120A
b	R0304A	RELAY	MINI 4P
c	R0204A	RELAY	MICRO 4P
d	91825A	FUSE-SLOW BLOW	140A
e	18980J	FUSE-MINI	10A
f	18980C	FUSE-MINI	15A
g	18980D	FUSE-MINI	20A
h	18980G	FUSE-MINI	30A
i	99106	FUSE-SLOW BLOW	30A
j	18980A	FUSE-SLOW BLOW	40A
k	91826	FUSE-60A	60A
l	95225D	RELAY-MICRO	MICRO 5P

# Parking Light Diagram Kia Sportage

**RM Cervero**



**Parking Light Diagram Kia Sportage :**

If you are craving such a referred **Parking Light Diagram Kia Sportage** ebook that will offer you worth, get the utterly best seller from us currently from several preferred authors. If you desire to funny books, lots of novels, tale, jokes, and more fictions collections are afterward launched, from best seller to one of the most current released.

You may not be perplexed to enjoy all books collections Parking Light Diagram Kia Sportage that we will utterly offer. It is not approximately the costs. Its more or less what you infatuation currently. This Parking Light Diagram Kia Sportage , as one of the most full of zip sellers here will unquestionably be accompanied by the best options to review.

<https://letsgetcooking.org.uk/data/scholarship/Documents/roland%20hp103e%20manual.pdf>

## **Table of Contents Parking Light Diagram Kia Sportage**

1. Understanding the eBook Parking Light Diagram Kia Sportage
  - The Rise of Digital Reading Parking Light Diagram Kia Sportage
  - Advantages of eBooks Over Traditional Books
2. Identifying Parking Light Diagram Kia Sportage
  - Exploring Different Genres
  - Considering Fiction vs. Non-Fiction
  - Determining Your Reading Goals
3. Choosing the Right eBook Platform
  - Popular eBook Platforms
  - Features to Look for in an Parking Light Diagram Kia Sportage
  - User-Friendly Interface
4. Exploring eBook Recommendations from Parking Light Diagram Kia Sportage
  - Personalized Recommendations
  - Parking Light Diagram Kia Sportage User Reviews and Ratings
  - Parking Light Diagram Kia Sportage and Bestseller Lists
5. Accessing Parking Light Diagram Kia Sportage Free and Paid eBooks

- Parking Light Diagram Kia Sportage Public Domain eBooks
  - Parking Light Diagram Kia Sportage eBook Subscription Services
  - Parking Light Diagram Kia Sportage Budget-Friendly Options
6. Navigating Parking Light Diagram Kia Sportage eBook Formats
    - ePub, PDF, MOBI, and More
    - Parking Light Diagram Kia Sportage Compatibility with Devices
    - Parking Light Diagram Kia Sportage Enhanced eBook Features
  7. Enhancing Your Reading Experience
    - Adjustable Fonts and Text Sizes of Parking Light Diagram Kia Sportage
    - Highlighting and Note-Taking Parking Light Diagram Kia Sportage
    - Interactive Elements Parking Light Diagram Kia Sportage
  8. Staying Engaged with Parking Light Diagram Kia Sportage
    - Joining Online Reading Communities
    - Participating in Virtual Book Clubs
    - Following Authors and Publishers Parking Light Diagram Kia Sportage
  9. Balancing eBooks and Physical Books Parking Light Diagram Kia Sportage
    - Benefits of a Digital Library
    - Creating a Diverse Reading Collection Parking Light Diagram Kia Sportage
  10. Overcoming Reading Challenges
    - Dealing with Digital Eye Strain
    - Minimizing Distractions
    - Managing Screen Time
  11. Cultivating a Reading Routine Parking Light Diagram Kia Sportage
    - Setting Reading Goals Parking Light Diagram Kia Sportage
    - Carving Out Dedicated Reading Time
  12. Sourcing Reliable Information of Parking Light Diagram Kia Sportage
    - Fact-Checking eBook Content of Parking Light Diagram Kia Sportage
    - Distinguishing Credible Sources
  13. Promoting Lifelong Learning
    - Utilizing eBooks for Skill Development

- Exploring Educational eBooks
- 14. Embracing eBook Trends
  - Integration of Multimedia Elements
  - Interactive and Gamified eBooks

### **Parking Light Diagram Kia Sportage Introduction**

In today's digital age, the availability of Parking Light Diagram Kia Sportage books and manuals for download has revolutionized the way we access information. Gone are the days of physically flipping through pages and carrying heavy textbooks or manuals. With just a few clicks, we can now access a wealth of knowledge from the comfort of our own homes or on the go. This article will explore the advantages of Parking Light Diagram Kia Sportage books and manuals for download, along with some popular platforms that offer these resources. One of the significant advantages of Parking Light Diagram Kia Sportage books and manuals for download is the cost-saving aspect. Traditional books and manuals can be costly, especially if you need to purchase several of them for educational or professional purposes. By accessing Parking Light Diagram Kia Sportage versions, you eliminate the need to spend money on physical copies. This not only saves you money but also reduces the environmental impact associated with book production and transportation. Furthermore, Parking Light Diagram Kia Sportage books and manuals for download are incredibly convenient. With just a computer or smartphone and an internet connection, you can access a vast library of resources on any subject imaginable. Whether you're a student looking for textbooks, a professional seeking industry-specific manuals, or someone interested in self-improvement, these digital resources provide an efficient and accessible means of acquiring knowledge. Moreover, PDF books and manuals offer a range of benefits compared to other digital formats. PDF files are designed to retain their formatting regardless of the device used to open them. This ensures that the content appears exactly as intended by the author, with no loss of formatting or missing graphics. Additionally, PDF files can be easily annotated, bookmarked, and searched for specific terms, making them highly practical for studying or referencing. When it comes to accessing Parking Light Diagram Kia Sportage books and manuals, several platforms offer an extensive collection of resources. One such platform is Project Gutenberg, a nonprofit organization that provides over 60,000 free eBooks. These books are primarily in the public domain, meaning they can be freely distributed and downloaded. Project Gutenberg offers a wide range of classic literature, making it an excellent resource for literature enthusiasts. Another popular platform for Parking Light Diagram Kia Sportage books and manuals is Open Library. Open Library is an initiative of the Internet Archive, a non-profit organization dedicated to digitizing cultural artifacts and making them accessible to the public. Open Library hosts millions of books, including both public domain works and contemporary titles. It also allows users to borrow digital copies of certain books for a limited period, similar to a library.

lending system. Additionally, many universities and educational institutions have their own digital libraries that provide free access to PDF books and manuals. These libraries often offer academic texts, research papers, and technical manuals, making them invaluable resources for students and researchers. Some notable examples include MIT OpenCourseWare, which offers free access to course materials from the Massachusetts Institute of Technology, and the Digital Public Library of America, which provides a vast collection of digitized books and historical documents. In conclusion, Parking Light Diagram Kia Sportage books and manuals for download have transformed the way we access information. They provide a cost-effective and convenient means of acquiring knowledge, offering the ability to access a vast library of resources at our fingertips. With platforms like Project Gutenberg, Open Library, and various digital libraries offered by educational institutions, we have access to an ever-expanding collection of books and manuals. Whether for educational, professional, or personal purposes, these digital resources serve as valuable tools for continuous learning and self-improvement. So why not take advantage of the vast world of Parking Light Diagram Kia Sportage books and manuals for download and embark on your journey of knowledge?

### **FAQs About Parking Light Diagram Kia Sportage Books**

1. Where can I buy Parking Light Diagram Kia Sportage books? Bookstores: Physical bookstores like Barnes & Noble, Waterstones, and independent local stores. Online Retailers: Amazon, Book Depository, and various online bookstores offer a wide range of books in physical and digital formats.
2. What are the different book formats available? Hardcover: Sturdy and durable, usually more expensive. Paperback: Cheaper, lighter, and more portable than hardcovers. E-books: Digital books available for e-readers like Kindle or software like Apple Books, Kindle, and Google Play Books.
3. How do I choose a Parking Light Diagram Kia Sportage book to read? Genres: Consider the genre you enjoy (fiction, non-fiction, mystery, sci-fi, etc.). Recommendations: Ask friends, join book clubs, or explore online reviews and recommendations. Author: If you like a particular author, you might enjoy more of their work.
4. How do I take care of Parking Light Diagram Kia Sportage books? Storage: Keep them away from direct sunlight and in a dry environment. Handling: Avoid folding pages, use bookmarks, and handle them with clean hands. Cleaning: Gently dust the covers and pages occasionally.
5. Can I borrow books without buying them? Public Libraries: Local libraries offer a wide range of books for borrowing. Book Swaps: Community book exchanges or online platforms where people exchange books.

6. How can I track my reading progress or manage my book collection? Book Tracking Apps: Goodreads, LibraryThing, and Book Catalogue are popular apps for tracking your reading progress and managing book collections. Spreadsheets: You can create your own spreadsheet to track books read, ratings, and other details.
7. What are Parking Light Diagram Kia Sportage audiobooks, and where can I find them? Audiobooks: Audio recordings of books, perfect for listening while commuting or multitasking. Platforms: Audible, LibriVox, and Google Play Books offer a wide selection of audiobooks.
8. How do I support authors or the book industry? Buy Books: Purchase books from authors or independent bookstores. Reviews: Leave reviews on platforms like Goodreads or Amazon. Promotion: Share your favorite books on social media or recommend them to friends.
9. Are there book clubs or reading communities I can join? Local Clubs: Check for local book clubs in libraries or community centers. Online Communities: Platforms like Goodreads have virtual book clubs and discussion groups.
10. Can I read Parking Light Diagram Kia Sportage books for free? Public Domain Books: Many classic books are available for free as they're in the public domain. Free E-books: Some websites offer free e-books legally, like Project Gutenberg or Open Library.

### Find Parking Light Diagram Kia Sportage :

*roland hp103e manual*

*rolls royce 20 25 workshop manual*

[roland pcr a30 music keyboards owners manual](#)

[rockshox rear shock sid tune guide](#)

*robert m gagnon book*

**rojo como sangre red blood**

[romeo and juliet final exam answer key](#)

*rolex oyster perpetual datejust user guide*

*rolm install manual*

**rockford fosgate ib 200 subwoofers owners manual**

**rolsen rpd 7d service manual**

[rol printer service manual](#)

*rockin body quick start guide*



*rocketfish rf rbwhp0user guide*

**rolling stone album guide 1992**

**Parking Light Diagram Kia Sportage :**

Strategic Planning For Success: Aligning People ... - Wiley Strategic Planning For Success: Aligning People ... - Wiley Strategic Planning For Success: Aligning... by Roger ... Useful, pragmatic, and proven tools and concepts, including needs assessment, needs analysis, and costs-consequences analysis. Strategic Planning for Success ... Strategic Planning For Success: Aligning People ... Strategic Planning for Success will show you how to define, deliver, develop, and promote genuine performance improvement within your organization. --This text ... Strategic planning for success; aligning people TITLE: Strategic planning for success; aligning people, performance, and payoffs. AUTHOR: Kaufman, Roger et al. PUBLISHER: Jossey-Bass ... Strategic Planning for Success Welcome to Strategic Planning for Success: Aligning People, Performance, and Payoffs. This is a practical and pragmatic book with cases-in-point, guides, job. Strategic Planning For Success: Aligning People, ... Strategic Planning for Success offers you a pragmatic guide to the design and development of practical and pragmatic strategic thinking and organizational ... Strategic Planning For Success: Aligning People, Performance ... Strategic Planning for Success offers you a pragmatic guide to the design and development of practical and pragmatic strategic thinking and organizational ... Book Review: Strategic Planning for Success: Aligning ... Roger Kaufman, Hugh Oakley-Browne, Ryan Watkins, and Doug Leigh As I read this book, my first reaction was, although it covered a lot of territory with ... Strategic planning for success - Vanderbilt Libraries Catalog Strategic planning for success : aligning people, performance, and payoffs / Roger Kaufman . ... Strategic planning for success : aligning people, performance ... Strategic Planning for Success: Aligning People ... Mar 6, 2003 — Strategic Planning for Success offers you a pragmatic guide to the design and development of practical and pragmatic strategic thinking and ... E-class Operator's Manual Please abide by the recommendations contained in this manual. They are designed to acquaint you with the operation of your Mercedes-Benz. • Please abide by the ... Mercedes W210 Owner's Manual in PDF! MERCEDES-BENZ Owner's Manuals - view manuals online or download PDF for free! Choose your car: A-class, B-class, C-class, E-class, GLK, GLE, GLB, EQB, EQC, ... Mercedes Benz W210 6-speed Manual transmission. Engine 1 998 ccm (122 cui), 4-cylinder, In-Line, 16-valves, M111.957. A JE DOMA. 2000 Mercedes Benz W210 320 CDI 3.2 (197 cui). When/where was a manual tranny offered with e320? Dec 18, 2008 — I've a facelift W210 brochure in German and a manual transmission is NOT available with the 320 diesel or the 320 gas engine or any engine ... E320 CDI owners manual Jan 16, 2008 — E320 CDI owners manual ... You may find a PDF copy of the US manual too (different address of course). ... The USA version for 2006 will cover the ... w210 e320 cdi vs 3.2 manual - YouTube Mercedes-Benz E-Class Diesel Workshop Manual 1999 ... This Owners Edition Workshop Manual

covers the Mercedes-Benz E Class W210 Series from 1999 to 2006, fitted with the four, five & 6 cylinder Cdi engine. Service & Repair Manuals for Mercedes-Benz E320 Get the best deals on Service & Repair Manuals for Mercedes-Benz E320 when you shop the largest online selection at eBay.com. Free shipping on many items ... how hard is it to manual swap a Mercedes E320? May 6, 2019 — Mechanically, manual swaps are easy on cars that came from the factory (somewhere) as a manual. Problem is the electrical. The E36 had a ... MERCEDES W210 E Class Diesel CDI Workshop Manual ... This Owners Edition Workshop Manual has been specially written for the practical owner who wants to maintain a vehicle in first-class condition and carry ... "The Blood Bay" by Annie Proulx - Curio Macabre Mar 26, 2021 — Three other cowboys happen by his frozen corpse and one of them, in need of boots, sees the dead man has the same boot size as him. The dead ... The Blood Bay Summary Sep 5, 2023 — Complete summary of Annie Proulx's The Blood Bay. eNotes plot summaries cover all the significant action of The Blood Bay. The Blood Bay Dec 20, 1998 — Annie Proulx is the author of "Fen, Bog & Swamp: A Short History of Peatland Destruction and Its Role in the Climate Crisis," which will be ... PLOT | the-blood-bay THE BLOOD BAY ... This story starts with the depiction of a foolish young man crossing Wyoming and freezes to death. He did not know the brutalities of the harsh ... at-close-range.pdf ANNIE PROULX is the acclaimed author of the short-story collection ... He glanced down at his rolled-up guests and said,. "Coffee's ready." The blood bay stamped ... Elements of a Story with "The Blood Bay" "The Blood Bay"-Annie Proulx. ○ Pull out your copy of "The Blood Bay" and ... "The Blood Bay"-Annie Proulx. ○ Find somebody who chose a different scene than ... Annie Proulx Week, Day 2 - The Blood Bay - Mirror with Clouds Jun 1, 2015 — Annie Proulx's "The Blood Bay", set in the 1880's, begins with a group of cowboys stumbling across a man who has frozen to death in the Wyoming ... The Blood Bay by Annie Proulx Short Story Analysis May 9, 2017 — The Blood Bay is an unexpectedly humorous tall tale in Annie Proulx's Close Range collection, also featuring Brokeback Mountain and similar ... The Blood Bay by Annie Proulx Dec 28, 1998 — Read 4 reviews from the world's largest community for readers. Short story by Annie Proulx published in The New Yorker December 28, 1998. Close Range: Wyoming Stories - The Blood Bay Summary ... Close Range: Wyoming Stories - The Blood Bay Summary & Analysis. E. Annie Proulx. This Study Guide consists of approximately 30 pages of chapter summaries, ...