



**en** *Operator's Manual*  
**es** *Manual del Operario*  
**fr** *Manuel de l'opérateur*

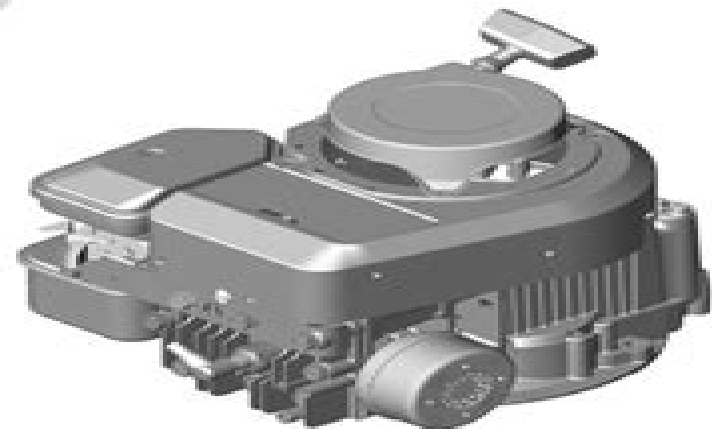


### Model 90000

Classic™ 300 Series™  
Sprint™ 450 Series™  
Sprint™ 475 Series™  
Quattro™ 475 Series™

### Model 100000

Sprint™ 500 Series™  
Quattro™ 500 Series™  
LX 500 Series™  
SQ® 500 Series™  
Q™ 500/550 Series™



Copyright © 2013 Briggs & Stratton Corporation,  
Milwaukee, WI, USA. All rights reserved.  
Briggs & Stratton is a registered trademark  
of Briggs & Stratton Corporation.

Form No. 277038TR  
Revision: M

English  
**en**

Español  
**es**

Français  
**fr**

# Part Manual Briggs And Stratton 90000 Series

**John Sherman Porter**



**Part Manual Briggs And Stratton 90000 Series:**

Small Air-cooled Engine Service Manual, 1990-1994 ,1995 Previously published as one volume under same title

**Moody's Manual of Investments** John Sherman Porter,1937 American government securities 1928 53 in 5 annual vols v 1 Railroad securities 1952 53 Transportation v 2 Industrial securities v 3 Public utility securities v 4 Government securities 1928 54 v 5 Banks insurance companies investment trusts real estate finance and credit companies 1928 54 **Moody's Industrial Manual** ,1959 **Moody's Municipal & Government Manual** ,1934 *Moody's Bank and Finance Manual* ,1990 **Moody's Manual of Investments, American and Foreign; Banks, Insurance Companies, Investment Trusts, Real Estate, Finance and Credit Companies** ,1935 **Constructor** ,1984 *Contractors' and Engineers Monthly* ,1948 **Farmers and Consumers Market Bulletin** ,2008 Predicasts F & S Index United States Predicasts, inc,1992 A comprehensive index to company and industry information in business journals Diario de Centro América ,1976 **Briggs and Stratton Service and Repair Manual** ,1977 **Service Manual, Engine, Fuel & Electrical Systems (Briggs & Stratton)**. International Harvester Company,1973 **Repair Instructions** Briggs and Stratton Corp,1973 Briggs & Stratton repair instructions IV, original service parts ,1973 Master Parts Manual Tecumseh Products Company. Engine and Gear Service Division,1982

## Decoding **Part Manual Briggs And Stratton 90000 Series**: Revealing the Captivating Potential of Verbal Expression

In a time characterized by interconnectedness and an insatiable thirst for knowledge, the captivating potential of verbal expression has emerged as a formidable force. Its capability to evoke sentiments, stimulate introspection, and incite profound transformations is genuinely awe-inspiring. Within the pages of "**Part Manual Briggs And Stratton 90000 Series**," a mesmerizing literary creation penned with a celebrated wordsmith, readers embark on an enlightening odyssey, unraveling the intricate significance of language and its enduring affect our lives. In this appraisal, we shall explore the book is central themes, evaluate its distinctive writing style, and gauge its pervasive influence on the hearts and minds of its readership.

[https://letsgetcooking.org.uk/files/browse/fetch.php/Vectra\\_1600\\_Assembly\\_Manual.pdf](https://letsgetcooking.org.uk/files/browse/fetch.php/Vectra_1600_Assembly_Manual.pdf)

### **Table of Contents Part Manual Briggs And Stratton 90000 Series**

1. Understanding the eBook Part Manual Briggs And Stratton 90000 Series
  - The Rise of Digital Reading Part Manual Briggs And Stratton 90000 Series
  - Advantages of eBooks Over Traditional Books
2. Identifying Part Manual Briggs And Stratton 90000 Series
  - Exploring Different Genres
  - Considering Fiction vs. Non-Fiction
  - Determining Your Reading Goals
3. Choosing the Right eBook Platform
  - Popular eBook Platforms
  - Features to Look for in an Part Manual Briggs And Stratton 90000 Series
  - User-Friendly Interface
4. Exploring eBook Recommendations from Part Manual Briggs And Stratton 90000 Series
  - Personalized Recommendations
  - Part Manual Briggs And Stratton 90000 Series User Reviews and Ratings
  - Part Manual Briggs And Stratton 90000 Series and Bestseller Lists

5. Accessing Part Manual Briggs And Stratton 90000 Series Free and Paid eBooks
  - Part Manual Briggs And Stratton 90000 Series Public Domain eBooks
  - Part Manual Briggs And Stratton 90000 Series eBook Subscription Services
  - Part Manual Briggs And Stratton 90000 Series Budget-Friendly Options
6. Navigating Part Manual Briggs And Stratton 90000 Series eBook Formats
  - ePub, PDF, MOBI, and More
  - Part Manual Briggs And Stratton 90000 Series Compatibility with Devices
  - Part Manual Briggs And Stratton 90000 Series Enhanced eBook Features
7. Enhancing Your Reading Experience
  - Adjustable Fonts and Text Sizes of Part Manual Briggs And Stratton 90000 Series
  - Highlighting and Note-Taking Part Manual Briggs And Stratton 90000 Series
  - Interactive Elements Part Manual Briggs And Stratton 90000 Series
8. Staying Engaged with Part Manual Briggs And Stratton 90000 Series
  - Joining Online Reading Communities
  - Participating in Virtual Book Clubs
  - Following Authors and Publishers Part Manual Briggs And Stratton 90000 Series
9. Balancing eBooks and Physical Books Part Manual Briggs And Stratton 90000 Series
  - Benefits of a Digital Library
  - Creating a Diverse Reading Collection Part Manual Briggs And Stratton 90000 Series
10. Overcoming Reading Challenges
  - Dealing with Digital Eye Strain
  - Minimizing Distractions
  - Managing Screen Time
11. Cultivating a Reading Routine Part Manual Briggs And Stratton 90000 Series
  - Setting Reading Goals Part Manual Briggs And Stratton 90000 Series
  - Carving Out Dedicated Reading Time
12. Sourcing Reliable Information of Part Manual Briggs And Stratton 90000 Series
  - Fact-Checking eBook Content of Part Manual Briggs And Stratton 90000 Series
  - Distinguishing Credible Sources
13. Promoting Lifelong Learning

- Utilizing eBooks for Skill Development
  - Exploring Educational eBooks
14. Embracing eBook Trends
- Integration of Multimedia Elements
  - Interactive and Gamified eBooks

### **Part Manual Briggs And Stratton 90000 Series Introduction**

In the digital age, access to information has become easier than ever before. The ability to download Part Manual Briggs And Stratton 90000 Series has revolutionized the way we consume written content. Whether you are a student looking for course material, an avid reader searching for your next favorite book, or a professional seeking research papers, the option to download Part Manual Briggs And Stratton 90000 Series has opened up a world of possibilities. Downloading Part Manual Briggs And Stratton 90000 Series provides numerous advantages over physical copies of books and documents. Firstly, it is incredibly convenient. Gone are the days of carrying around heavy textbooks or bulky folders filled with papers. With the click of a button, you can gain immediate access to valuable resources on any device. This convenience allows for efficient studying, researching, and reading on the go. Moreover, the cost-effective nature of downloading Part Manual Briggs And Stratton 90000 Series has democratized knowledge. Traditional books and academic journals can be expensive, making it difficult for individuals with limited financial resources to access information. By offering free PDF downloads, publishers and authors are enabling a wider audience to benefit from their work. This inclusivity promotes equal opportunities for learning and personal growth. There are numerous websites and platforms where individuals can download Part Manual Briggs And Stratton 90000 Series. These websites range from academic databases offering research papers and journals to online libraries with an expansive collection of books from various genres. Many authors and publishers also upload their work to specific websites, granting readers access to their content without any charge. These platforms not only provide access to existing literature but also serve as an excellent platform for undiscovered authors to share their work with the world. However, it is essential to be cautious while downloading Part Manual Briggs And Stratton 90000 Series. Some websites may offer pirated or illegally obtained copies of copyrighted material. Engaging in such activities not only violates copyright laws but also undermines the efforts of authors, publishers, and researchers. To ensure ethical downloading, it is advisable to utilize reputable websites that prioritize the legal distribution of content. When downloading Part Manual Briggs And Stratton 90000 Series, users should also consider the potential security risks associated with online platforms. Malicious actors may exploit vulnerabilities in unprotected websites to distribute malware or steal personal information. To protect themselves, individuals should ensure their devices have reliable antivirus software installed and validate the legitimacy of

the websites they are downloading from. In conclusion, the ability to download Part Manual Briggs And Stratton 90000 Series has transformed the way we access information. With the convenience, cost-effectiveness, and accessibility it offers, free PDF downloads have become a popular choice for students, researchers, and book lovers worldwide. However, it is crucial to engage in ethical downloading practices and prioritize personal security when utilizing online platforms. By doing so, individuals can make the most of the vast array of free PDF resources available and embark on a journey of continuous learning and intellectual growth.

### **FAQs About Part Manual Briggs And Stratton 90000 Series Books**

How do I know which eBook platform is the best for me? Finding the best eBook platform depends on your reading preferences and device compatibility. Research different platforms, read user reviews, and explore their features before making a choice. Are free eBooks of good quality? Yes, many reputable platforms offer high-quality free eBooks, including classics and public domain works. However, make sure to verify the source to ensure the eBook credibility. Can I read eBooks without an eReader? Absolutely! Most eBook platforms offer webbased readers or mobile apps that allow you to read eBooks on your computer, tablet, or smartphone. How do I avoid digital eye strain while reading eBooks? To prevent digital eye strain, take regular breaks, adjust the font size and background color, and ensure proper lighting while reading eBooks. What the advantage of interactive eBooks? Interactive eBooks incorporate multimedia elements, quizzes, and activities, enhancing the reader engagement and providing a more immersive learning experience. Part Manual Briggs And Stratton 90000 Series is one of the best book in our library for free trial. We provide copy of Part Manual Briggs And Stratton 90000 Series in digital format, so the resources that you find are reliable. There are also many Ebooks of related with Part Manual Briggs And Stratton 90000 Series. Where to download Part Manual Briggs And Stratton 90000 Series online for free? Are you looking for Part Manual Briggs And Stratton 90000 Series PDF? This is definitely going to save you time and cash in something you should think about. If you trying to find then search around for online. Without a doubt there are numerous these available and many of them have the freedom. However without doubt you receive whatever you purchase. An alternate way to get ideas is always to check another Part Manual Briggs And Stratton 90000 Series. This method for see exactly what may be included and adopt these ideas to your book. This site will almost certainly help you save time and effort, money and stress. If you are looking for free books then you really should consider finding to assist you try this. Several of Part Manual Briggs And Stratton 90000 Series are for sale to free while some are payable. If you arent sure if the books you would like to download works with for usage along with your computer, it is possible to download free trials. The free guides make it easy for someone to free access online library for download books to your device. You can get free download on free trial for lots

of books categories. Our library is the biggest of these that have literally hundreds of thousands of different products categories represented. You will also see that there are specific sites catered to different product types or categories, brands or niches related with Part Manual Briggs And Stratton 90000 Series. So depending on what exactly you are searching, you will be able to choose e books to suit your own need. Need to access completely for Campbell Biology Seventh Edition book? Access Ebook without any digging. And by having access to our ebook online or by storing it on your computer, you have convenient answers with Part Manual Briggs And Stratton 90000 Series To get started finding Part Manual Briggs And Stratton 90000 Series, you are right to find our website which has a comprehensive collection of books online. Our library is the biggest of these that have literally hundreds of thousands of different products represented. You will also see that there are specific sites catered to different categories or niches related with Part Manual Briggs And Stratton 90000 Series So depending on what exactly you are searching, you will be able to choose ebook to suit your own need. Thank you for reading Part Manual Briggs And Stratton 90000 Series. Maybe you have knowledge that, people have search numerous times for their favorite readings like this Part Manual Briggs And Stratton 90000 Series, but end up in harmful downloads. Rather than reading a good book with a cup of coffee in the afternoon, instead they juggled with some harmful bugs inside their laptop. Part Manual Briggs And Stratton 90000 Series is available in our book collection an online access to it is set as public so you can download it instantly. Our digital library spans in multiple locations, allowing you to get the most less latency time to download any of our books like this one. Merely said, Part Manual Briggs And Stratton 90000 Series is universally compatible with any devices to read.

**Find Part Manual Briggs And Stratton 90000 Series :**

[vectra 1600 assembly manual](#)

[varian portatest ii leak detector operation manual](#)

[vauxhall zafira owners manual](#)

[vauxhall astra h](#)

[ve v8 workshop manual](#)

**[vauxhall astra workshop manual 2015](#)**

[veeam explorer manual](#)

[vauxhall zafira workshop repair manual 2004](#)

*value of full service history*

[vanilla bean cheesecake recipe wanted](#)

[vampire journaks morgan rice](#)



~~vanessa-hudgens-mississippi-directory-guide-job~~  
~~varian-spectra-aa-200-user-manual~~  
~~vauxhall-astra-coupe-service-manual~~  
~~veal-osso-bucco-recipe~~

**Part Manual Briggs And Stratton 90000 Series :**

eric-ed070580-principles-of-naval-engineering-1970 - Aug 07 2023

web fundamentals of shipboard machinery equipment and engineering plants are presented in this text prepared for engineering officers a general description is included of the development of naval ships ship design and construction stability and buoyancy and damage and casualty control

**principles of naval engineering by matthew a carr open library** - Mar 02 2023

web oct 31 2022 principles of naval engineering by matthew a carr 2012 naval institute press edition in english

principles-of-naval-engineering-amazon-com - Jul 26 2022

web dec 26 2009 principles of naval engineering first edition by bureau of naval personnel author 4 2 10 ratings see all formats and editions hardcover 111 50 1 used from 111 66 4 new from 111 50 paperback 74 78 2 used from 75 83 4 new from 74 78

**applied engineering principles manual naval sea systems command** - Aug 27 2022

web applied engineering principles manual naval sea systems command navy department washington d c navsea training manual applied engineering principles manual naval sea systems command navy department rev 1 acn 1 may 2003 record of revisions record of revisions

**principles of naval engineering pages 1 50 fliphtml5** - May 24 2022

web oct 19 2017 check pages 1 50 of principles of naval engineering in the flip pdf version principles of naval engineering was published by mydocshelves digital document system on 2017 10 19 find more similar flip pdfs like principles of naval engineering download principles of naval

**principles of naval engineering propulsion and auxiliary systems** - Apr 22 2022

web aug 15 2012 principles of naval engineering propulsion and auxiliary systems blue gold professional library hardcover illustrated august 15 2012 this textbook covers the basic design and operating principles of the propulsion and auxiliary systems of today s naval forces the topics include the main components in the propulsion and

principles-of-naval-engineering-google-play - Feb 01 2023

web principles of naval engineering ebook written by united states bureau of naval personnel read this book using google

play books app on your pc android ios devices download for offline

**principles of naval engineering google books** - Jul 06 2023

web bibtex endnote refman intended to provide new naval officers with the essential foundation for understanding the specific mechanical systems they encounter in ships submarines aircraft and

principles of naval engineering united states bureau of naval - Oct 09 2023

web dec 31 2014 basic principles of ship construction and stability are addressed as well finally there is a brief overview of other power sources including diesel gas turbines and nuclear highly recommended for those with an interest in naval history especially during the years between world war ii and the post vietnam era

principles of naval engineering open library - Oct 29 2022

web jun 26 2012 principles of naval engineering by united states bureau of naval personnel 0 ratings 1 want to read 0 currently reading 0 have read this edition doesn't have a description yet can you add one publish date 1992 publisher naval education and training program management support activity language english previews

*chapter 1 engineering fundamentals united states naval academy* - May 04 2023

web engineering fundamentals be familiar with engineering graphing drawing and sketching techniques explain what dependent and independent variables are notation used and how relationships are developed between them be familiar with the unit systems used in engineering specifically for this course

**principles of naval engineering u s naval institute** - Sep 08 2023

web aug 15 2012 this textbook covers the basic design and operating principles of the propulsion and auxiliary systems of today's naval forces the topics include the main components in the propulsion and auxiliary systems for both conventional and nuclear steam propulsion gas turbine power plants for both ship and aircraft applications and internal

**en400 united states naval academy** - Nov 29 2022

web engineering to complete certain engineering courses principles of ship performance en400 is just such a course affectionately known as boats the course is relevant to all future naval and marine corp officers regardless of designator even if your future career path takes you into the

**principles of naval engineering i naval education and training** - Jun 05 2023

web principles of naval engineering i by naval education and training program development center  
*archive org* - Apr 03 2023

web learn the fundamentals of naval engineering from this classic textbook published by the u s bureau of naval personnel this pdf contains chapters on thermodynamics fluid mechanics propulsion electrical systems and more download it

**access principles of naval engineering u s naval institute** - Dec 31 2022

web access principles of naval engineering please provide the access code you were given to view this book your access code if you are a student and have registered for access to the u s naval institute digital library please login here to view your online collection

*principles of naval architecture mechanical engineering mit* - Jun 24 2022

web course description this course presents principles of naval architecture ship geometry hydrostatics calculation and drawing of curves of form intact and damage stability hull structure strength calculations and ship resistance it introduces computer aided naval ship design and analysis tools projects include analysis of ship lines

**syllabus principles of naval architecture mechanical engineering** - Mar 22 2022

web this course presents principles of naval architecture ship geometry hydrostatics calculation and drawing of curves of form intact and damage stability hull structure strength calculations and ship resistance it introduces computer aided naval ship design and analysis tools projects include analysis of ship lines drawings calculation of

pdf lecture notes on basic naval architecture researchgate - Sep 27 2022

web sep 1 2021 with the above in mind this set of lecture notes outlines some of the principles of naval architecture and marine engineering for use in concept ship design

readings principles of naval architecture mechanical engineering - Feb 18 2022

web principles of naval architecture series the geometry of ships the society of naval architects and marine engineers 2010 isbn 9780939773671 books in this series are available for purchase at the society of naval architects and marine engineers website

basin analysis principles and applications academia edu - Feb 26 2022

web the fate of a sedimentary basin advanced structural geology and tectonics uaf edu files geology geos611 doc allen p a and allen j r 2005 basin analysis principles and applications second edition mechanisms of subsidence and the methods of basin analysis

basin analysis principles and applications sciencedirect - Feb 09 2023

web basin analysis principles and applications l f j a n s a p f b u r o l l e t a c g r a n t edited by l f jansa p f burollet a c grant volume 40 issues 1 3

**basin analysis principles and application to petroleum** - Mar 30 2022

web jan 1 2013 basin analysis basin analysis principles and application to petroleum play assessment authors philip a allen imperial college london allen john r download citation discover the world s

**basin analysis principles and applications google books** - Mar 10 2023

web mar 12 2009 basin analysis principles and applications philip a allen john r allen wiley mar 12 2009 science 560 pages

basin analysis is an up to date overview of the essential processes of the formation and evolution of sedimentary basins and their implications for the development of hydrocarbon resources the new edition features

[basin analysis principles and application to petroleum play](#) - Jun 01 2022

web the text is divided into 4 parts that establish the geodynamical environment for sedimentary basins and the physical state of the lithosphere followed by a coverage of the mechanics of basin formation an integrated analysis of the controls on the basin fill and its burial and thermal history and concludes with an application of basin

**basin analysis principles and applications 2nd edition wiley** - Aug 15 2023

web basin analysis is an up to date overview of the essential processes of the formation and evolution of sedimentary basins and their implications for the development of hydrocarbon resources the new edition features a consideration of the

[basin analysis principles and applications geoscienceworld](#) - Aug 03 2022

web basin analysis principles and applications philip a allen and john r allen second edition 2005 pp 549 blackwell publishing isbn 0 632 05207 4 price us 92 95

[basin analysis principles and application to petroleum play](#) - May 12 2023

web basin analysis is an advanced undergraduate and postgraduate text aimed at understanding sedimentary basins as geodynamic entities the rationale of the book is that knowledge of the basic principles of the thermo mechanical behaviour of the lithosphere the dynamics of the mantle and the functioning of sediment routing systems provides a

[allen allen basin analysis principles and application to wiley](#) - Oct 05 2022

web basin analysis principles and application to petroleum play assessment 3rd edition welcome to the companion site for basin analysis third edition this website gives you access to the rich tools and resources available for this text downloadable versions of the illustrations within the book

**basin analysis principles and applications allen philip a allen** - Jul 02 2022

web basin analysis principles and applications allen philip a allen john r amazon com tr

[basin analysis principles and application to petroleum play](#) - Dec 27 2021

web basin analysis principles and application to petroleum play assessment allen philip a allen john r amazon com tr kitap

**basin analysis principles and application to petroleum play** - Jan 28 2022

web basin analysis principles and application to petroleum play assessment allen philip a allen john r amazon com tr

**basin analysis principles and applications springerlink** - Jan 08 2023

web aug 12 2005 basin analysis principles and applications jörg matschullat journal of soils and sediments 5 191 2005 cite this article 310 accesses metrics download to read the full article text author information authors and affiliations

**basin analysis principles and applications google books** - Jun 13 2023

web may 28 2013 basin analysis is an up to date overview of the essential processes of the formation and evolution of sedimentary basins and their implications for the development of hydrocarbon resources

[basin analysis principles and application to petroleum play](#) - Dec 07 2022

web may 30 2013 basin analysis principles and application to petroleum play assessment philip a allen john r allen john wiley sons may 30 2013 science 640 pages basin analysis is an advanced undergraduate and postgraduate text aimed at understanding sedimentary basins as geodynamic entities

[pdf basin analysis principles and application to petroleum](#) - Jul 14 2023

web aug 26 2013 basin analysis is an advanced undergraduate and postgraduate text aimed at understanding sedimentary basins as geodynamic entities the rationale of the book is that knowledge of the basic principles of the thermo mechanical behaviour of the lithosphere the dynamics of the mantle and the functioning of sediment routing systems

*basin analysis principles and applications 2nd edition* - Sep 04 2022

web basin analysis is an up to date overview of the essential processes of the formation and evolution of sedimentary basins and their implications for the development of hydrocarbon resources the new edition features a consideration of the

**basin analysis principles and applications allen p a free** - Nov 06 2022

web basin analysis principles and applications by allen p a publication date 1990 topics sedimentary basins petroleum geology publisher oxford england boston blackwell scientific publications collection inlibrary printdisabled internetarchivebooks contributor internet archive language english x 451 p 26 cm

*basin analysis principles and applications request pdf* - Apr 30 2022

web jan 1 2005 the goals of field based stratigraphy and basin analysis are to use bottom up empirical data to construct a tectonic basin interpretation e g allen and allen 2005 and to use theoretical

*basin analysis principles and applications home springer* - Apr 11 2023

web basin analysis principles and applications authors allen pa allen jr publisher blackwell publishing 2005 2nd ed 549 pages british pounds 37 50 isbn 0 632 05207 4 reviewer jörg matschullat tu bergakademie freiberg germany joerg matschullat ioez tu freiberg de doi dx doi org 10 1065 jss2005 08 003

**malombra italian edition fogazzaro amazon sg books** - Apr 17 2023

web hello sign in account lists returns orders cart

**malombra italian edition kindle edition amazon com** - Jul 28 2021

web may 21 2012 malombra italian edition kindle edition by fogazzaro antonio download it once and read it on your kindle device pc phones or tablets use features

**malombra italian edition kindle edition amazon in** - Jun 19 2023

web malombra italian edition ebook fogazzaro antonio amazon in kindle store skip to main content in delivering to mumbai 400001 update location kindle store select the

**venice reveals first 2024 dates for charging day trippers cnn** - Feb 03 2022

web 1 day ago editor s note sign up to cnn travel s unlocking italy newsletter for insider intel on italy s best loved destinations and lesser known regions to plan your ultimate trip

*malombra italian edition kindle edition amazon ca* - Oct 11 2022

web select the department you want to search in

malombra silent english subtitles free download borrow and - Aug 09 2022

web silent italian titles english subtitles marina di malombra is the beautiful and sophisticated young niece of a count she could be described in the terms used in a 1967 work

**malombra wikipedia** - Jun 07 2022

web malombra malombra may refer to malombra novel an 1881 novel by the writer antonio fogazzaro malombra 1917 film a silent italian film directed by carmine gallone

**malombra novel wikipedia** - May 06 2022

web malombra is an 1881 novel by the italian writer antonio fogazzaro it is a gothic story set close to lake como in the mid nineteenth century it was fogazzaro s debut novel

editions of malombra by antonio fogazzaro goodreads - Oct 23 2023

web showing 1 30 of 182 malombra mass market paperback published 1997 by mondadori oscar classici mass market paperback 448 pages more details want to read rate this

*malombra italian edition hardcover 31 march 2022* - Sep 22 2023

web select the department you want to search in

malombra italian edition fogazzaro 9788807903137 abebooks - Aug 21 2023

web malombra italian edition by fogazzaro isbn 10 880790313x isbn 13 9788807903137 feltrinelli 2022 softcover

*malombra italian edition kindle edition amazon com au* - Mar 16 2023

web malombra italian edition ebook fogazzaro antonio rota sperti silvia amazon com au kindle store

**volcanic review when vesuvius was hot wsj** - Mar 04 2022

web nov 24 2023 10 46 am et a colorized photograph of a 1906 eruption of mount vesuvius photo burton holmes archive farms getty images on march 17 1944 mount vesuvius

**italian bonds rally after moody s unexpectedly lifts credit outlook** - Aug 29 2021

web nov 20 2023 italy s bonds rallied on monday after moody s investors service unexpectedly lifted its outlook on the

country s debt removing the threat of a downgrade

**malombra italian edition kindle edition amazon com au** - Jul 08 2022

web malombra italian edition ebook fogazzaro antonio amazon com au kindle store

what does malombra mean definitions net - Sep 29 2021

web what does malombra mean information and translations of malombra in the most comprehensive dictionary definitions resource on the web login the stands4

**more than 200 people convicted in italian mafia maxi trial** - Oct 31 2021

web nov 20 2023 last modified on mon 20 nov 2023 10 14 est an italian court has convicted and sentenced more than 200 people of crimes including criminal association

malombra tv series wikipedia - Apr 05 2022

web malombra is a 1974 italian television series it is an adaptation of the 1881 gothic novel malombra by antonio fogazzaro which has also been made into several films it aired

**mario balotelli refuses breathalyser test after escaping injury in** - Jan 02 2022

web nov 24 2023 mario balotelli has escaped serious injury following a major car crash the former manchester city striker reportedly lost control of his 100 000 audi q8 which hit a

malombra italian edition kindle edition amazon in - Sep 10 2022

web select the department you want to search in

*malombra italian edition kindle edition amazon com* - May 18 2023

web malombra italian edition kindle edition by antonio fogazzaro download it once and read it on your kindle device pc phones or tablets use features like bookmarks note

**a trump moment in the netherlands shows that europe still has** - Dec 01 2021

web 1 day ago italy currently has its most right wing government since the end of the second world war and slovakia re elected the left wing populist robert fico to office in september

*malombra italian edition kindle edition by antonio fogazzaro* - Jun 26 2021

web sep 3 2013 malombra italian edition kindle edition by antonio fogazzaro download it once and read it on your kindle device pc phones or tablets use features like

malombra italian edition anonymous amazon sg books - Nov 12 2022

web hello sign in account lists returns orders cart

**malombra italian edition kindle edition amazon in** - Feb 15 2023

web kindle store

*malombra italian edition by antonio fogazzaro goodreads* - Jul 20 2023

web romanzo d esordio dello scrittore vicentino malombra è un romanzo gotico made in italy pubblicato per la prima volta nel 1881 ambientato sulle rive di un anonimo lago

*malombra italian edition kindle edition amazon ca* - Dec 13 2022

web malombra italian edition ebook antonio fogazzaro amazon ca kindle store skip to main content ca delivering to balzac t4b 2t update location kindle store select the

malombra italian edition fogazzaro antonio 9798443384276 - Jan 14 2023

web mar 31 2022 fogazzaro celebrato soprattutto per il suo piccolo mondo antico realizza con malombra una sorta di romanzo gotico che nulla ha da invidiare per dirne uno solo