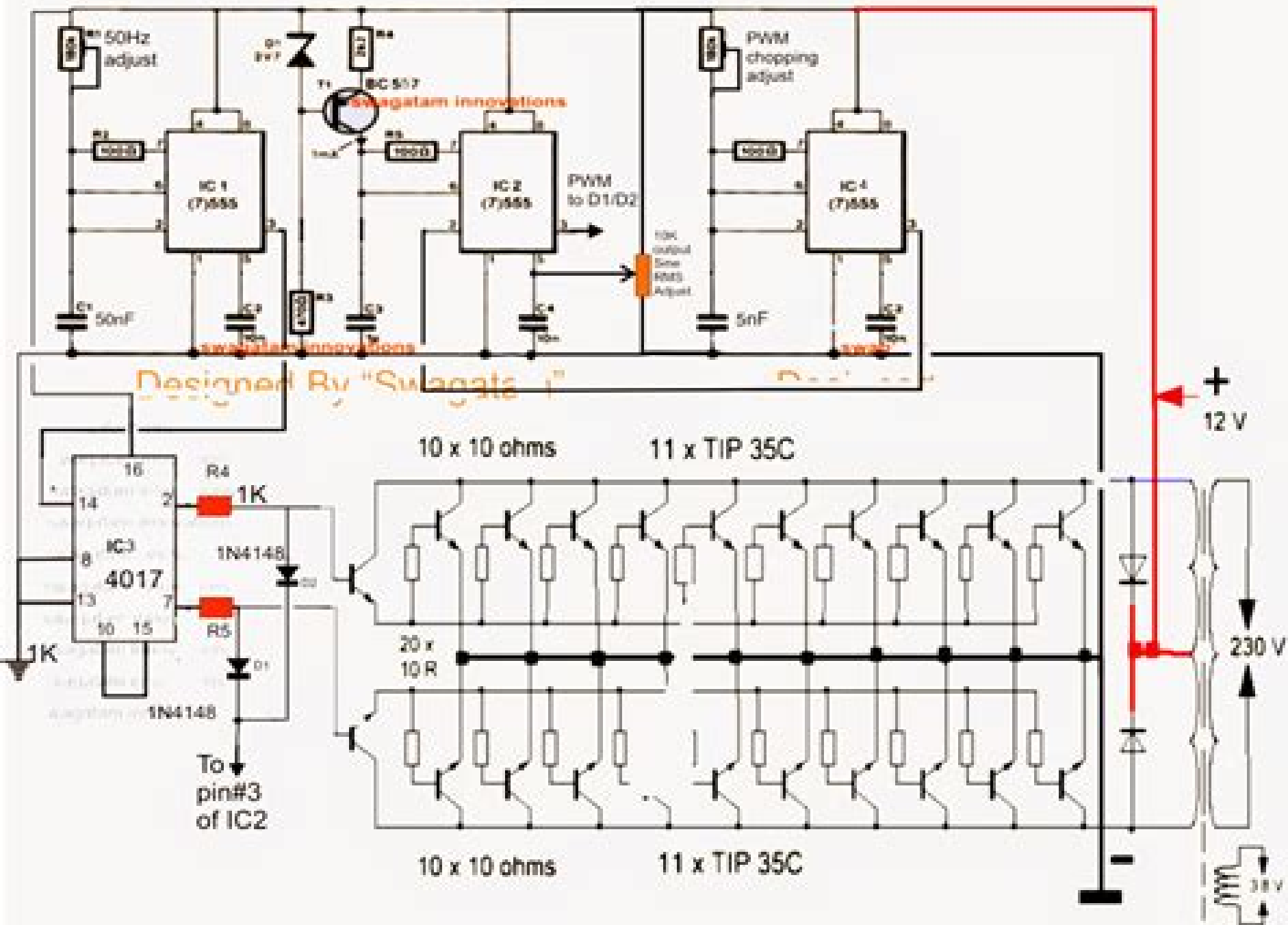


# Pure Sine Wave Inverter Circuit



# Pure Sine Wave Inverter Circuit Diagram Pcb

**R Pring**



**Pure Sine Wave Inverter Circuit Diagram Pcb:**

Sinusoidal High-efficiency Solid-state Three-phase Inverter Roy Kaylor (Jr.),1964     *Principles of Inverter Circuits*  
Burnice Doyle Bedford,Richard Gibson Hoft,1985     **Force-commutated Inverters** Francis Brichant,1984     **Design and**  
**Construction of a 2kva Pure Sine Wave Inverter** Aboyi Abe Barnabas,2017-06-09     **Pure Sine Wave Inverter** ,2012  
**Sine-wave Inverter Design** Ah Chai Woo,1978     True Sine Wave Inverter for Uninterruptible Power Supply (UPS)  
,2011

Embark on a breathtaking journey through nature and adventure with Crafted by is mesmerizing ebook, **Pure Sine Wave Inverter Circuit Diagram Pcb** . This immersive experience, available for download in a PDF format ( Download in PDF: \*), transports you to the heart of natural marvels and thrilling escapades. Download now and let the adventure begin!

<https://letsgetcooking.org.uk/public/book-search/index.jsp/Pushdown%20Automata%20Questions%20And%20Answers.pdf>

## **Table of Contents Pure Sine Wave Inverter Circuit Diagram Pcb**

1. Understanding the eBook Pure Sine Wave Inverter Circuit Diagram Pcb
  - The Rise of Digital Reading Pure Sine Wave Inverter Circuit Diagram Pcb
  - Advantages of eBooks Over Traditional Books
2. Identifying Pure Sine Wave Inverter Circuit Diagram Pcb
  - Exploring Different Genres
  - Considering Fiction vs. Non-Fiction
  - Determining Your Reading Goals
3. Choosing the Right eBook Platform
  - Popular eBook Platforms
  - Features to Look for in a Pure Sine Wave Inverter Circuit Diagram Pcb
  - User-Friendly Interface
4. Exploring eBook Recommendations from Pure Sine Wave Inverter Circuit Diagram Pcb
  - Personalized Recommendations
  - Pure Sine Wave Inverter Circuit Diagram Pcb User Reviews and Ratings
  - Pure Sine Wave Inverter Circuit Diagram Pcb and Bestseller Lists
5. Accessing Pure Sine Wave Inverter Circuit Diagram Pcb Free and Paid eBooks
  - Pure Sine Wave Inverter Circuit Diagram Pcb Public Domain eBooks
  - Pure Sine Wave Inverter Circuit Diagram Pcb eBook Subscription Services
  - Pure Sine Wave Inverter Circuit Diagram Pcb Budget-Friendly Options
6. Navigating Pure Sine Wave Inverter Circuit Diagram Pcb eBook Formats

- ePub, PDF, MOBI, and More
  - Pure Sine Wave Inverter Circuit Diagram Pcb Compatibility with Devices
  - Pure Sine Wave Inverter Circuit Diagram Pcb Enhanced eBook Features
7. Enhancing Your Reading Experience
    - Adjustable Fonts and Text Sizes of Pure Sine Wave Inverter Circuit Diagram Pcb
    - Highlighting and Note-Taking Pure Sine Wave Inverter Circuit Diagram Pcb
    - Interactive Elements Pure Sine Wave Inverter Circuit Diagram Pcb
  8. Staying Engaged with Pure Sine Wave Inverter Circuit Diagram Pcb
    - Joining Online Reading Communities
    - Participating in Virtual Book Clubs
    - Following Authors and Publishers Pure Sine Wave Inverter Circuit Diagram Pcb
  9. Balancing eBooks and Physical Books Pure Sine Wave Inverter Circuit Diagram Pcb
    - Benefits of a Digital Library
    - Creating a Diverse Reading Collection Pure Sine Wave Inverter Circuit Diagram Pcb
  10. Overcoming Reading Challenges
    - Dealing with Digital Eye Strain
    - Minimizing Distractions
    - Managing Screen Time
  11. Cultivating a Reading Routine Pure Sine Wave Inverter Circuit Diagram Pcb
    - Setting Reading Goals Pure Sine Wave Inverter Circuit Diagram Pcb
    - Carving Out Dedicated Reading Time
  12. Sourcing Reliable Information of Pure Sine Wave Inverter Circuit Diagram Pcb
    - Fact-Checking eBook Content of Pure Sine Wave Inverter Circuit Diagram Pcb
    - Distinguishing Credible Sources
  13. Promoting Lifelong Learning
    - Utilizing eBooks for Skill Development
    - Exploring Educational eBooks
  14. Embracing eBook Trends
    - Integration of Multimedia Elements
    - Interactive and Gamified eBooks

### Pure Sine Wave Inverter Circuit Diagram Pcb Introduction

In this digital age, the convenience of accessing information at our fingertips has become a necessity. Whether its research papers, eBooks, or user manuals, PDF files have become the preferred format for sharing and reading documents. However, the cost associated with purchasing PDF files can sometimes be a barrier for many individuals and organizations. Thankfully, there are numerous websites and platforms that allow users to download free PDF files legally. In this article, we will explore some of the best platforms to download free PDFs. One of the most popular platforms to download free PDF files is Project Gutenberg. This online library offers over 60,000 free eBooks that are in the public domain. From classic literature to historical documents, Project Gutenberg provides a wide range of PDF files that can be downloaded and enjoyed on various devices. The website is user-friendly and allows users to search for specific titles or browse through different categories. Another reliable platform for downloading Pure Sine Wave Inverter Circuit Diagram Pcb free PDF files is Open Library. With its vast collection of over 1 million eBooks, Open Library has something for every reader. The website offers a seamless experience by providing options to borrow or download PDF files. Users simply need to create a free account to access this treasure trove of knowledge. Open Library also allows users to contribute by uploading and sharing their own PDF files, making it a collaborative platform for book enthusiasts. For those interested in academic resources, there are websites dedicated to providing free PDFs of research papers and scientific articles. One such website is Academia.edu, which allows researchers and scholars to share their work with a global audience. Users can download PDF files of research papers, theses, and dissertations covering a wide range of subjects. Academia.edu also provides a platform for discussions and networking within the academic community. When it comes to downloading Pure Sine Wave Inverter Circuit Diagram Pcb free PDF files of magazines, brochures, and catalogs, Issuu is a popular choice. This digital publishing platform hosts a vast collection of publications from around the world. Users can search for specific titles or explore various categories and genres. Issuu offers a seamless reading experience with its user-friendly interface and allows users to download PDF files for offline reading. Apart from dedicated platforms, search engines also play a crucial role in finding free PDF files. Google, for instance, has an advanced search feature that allows users to filter results by file type. By specifying the file type as "PDF," users can find websites that offer free PDF downloads on a specific topic. While downloading Pure Sine Wave Inverter Circuit Diagram Pcb free PDF files is convenient, its important to note that copyright laws must be respected. Always ensure that the PDF files you download are legally available for free. Many authors and publishers voluntarily provide free PDF versions of their work, but its essential to be cautious and verify the authenticity of the source before downloading Pure Sine Wave Inverter Circuit Diagram Pcb. In conclusion, the internet offers numerous platforms and websites that allow users to download free PDF files legally. Whether its classic literature, research papers, or magazines, there is something for everyone. The platforms mentioned in this article, such as Project Gutenberg, Open Library, Academia.edu, and Issuu,

provide access to a vast collection of PDF files. However, users should always be cautious and verify the legality of the source before downloading Pure Sine Wave Inverter Circuit Diagram Pcb any PDF files. With these platforms, the world of PDF downloads is just a click away.

### FAQs About Pure Sine Wave Inverter Circuit Diagram Pcb Books

1. Where can I buy Pure Sine Wave Inverter Circuit Diagram Pcb books? Bookstores: Physical bookstores like Barnes & Noble, Waterstones, and independent local stores. Online Retailers: Amazon, Book Depository, and various online bookstores offer a wide range of books in physical and digital formats.
2. What are the different book formats available? Hardcover: Sturdy and durable, usually more expensive. Paperback: Cheaper, lighter, and more portable than hardcovers. E-books: Digital books available for e-readers like Kindle or software like Apple Books, Kindle, and Google Play Books.
3. How do I choose a Pure Sine Wave Inverter Circuit Diagram Pcb book to read? Genres: Consider the genre you enjoy (fiction, non-fiction, mystery, sci-fi, etc.). Recommendations: Ask friends, join book clubs, or explore online reviews and recommendations. Author: If you like a particular author, you might enjoy more of their work.
4. How do I take care of Pure Sine Wave Inverter Circuit Diagram Pcb books? Storage: Keep them away from direct sunlight and in a dry environment. Handling: Avoid folding pages, use bookmarks, and handle them with clean hands. Cleaning: Gently dust the covers and pages occasionally.
5. Can I borrow books without buying them? Public Libraries: Local libraries offer a wide range of books for borrowing. Book Swaps: Community book exchanges or online platforms where people exchange books.
6. How can I track my reading progress or manage my book collection? Book Tracking Apps: Goodreads, LibraryThing, and Book Catalogue are popular apps for tracking your reading progress and managing book collections. Spreadsheets: You can create your own spreadsheet to track books read, ratings, and other details.
7. What are Pure Sine Wave Inverter Circuit Diagram Pcb audiobooks, and where can I find them? Audiobooks: Audio recordings of books, perfect for listening while commuting or multitasking. Platforms: Audible, LibriVox, and Google Play Books offer a wide selection of audiobooks.
8. How do I support authors or the book industry? Buy Books: Purchase books from authors or independent bookstores. Reviews: Leave reviews on platforms like Goodreads or Amazon. Promotion: Share your favorite books on social media or recommend them to friends.

9. Are there book clubs or reading communities I can join? Local Clubs: Check for local book clubs in libraries or community centers. Online Communities: Platforms like Goodreads have virtual book clubs and discussion groups.
10. Can I read Pure Sine Wave Inverter Circuit Diagram Pcb books for free? Public Domain Books: Many classic books are available for free as they're in the public domain. Free E-books: Some websites offer free e-books legally, like Project Gutenberg or Open Library.

### Find Pure Sine Wave Inverter Circuit Diagram Pcb :

#### **pushdown automata questions and answers**

~~public services of namibia employment application form~~

[punchline the distance formula](#)

~~pulse pulse series book english edition~~

[pure mathematics january 2015 mark scheme](#)

*pulp and paper industry association*

*pulse club grit trilogy book english edition*

[pure cute beverly west](#)

#### **psychology developing through the life span answers**

*puppets jesus heals the man with leprosy*

*publisher user guide*

#### **putting it all together pi 2012 tesccc**

~~puzey workshop manual~~

[purdue owl sample paper](#)

[purpose driven life dvd study guide](#)

### Pure Sine Wave Inverter Circuit Diagram Pcb :

[lara f c wikipedia](#) - Apr 29 2022

web lara the lara fútbol club was a professional football club based in barquisimeto lara that was promoted to the primera división in 1965 in their first year of existence in 2012

*la révolution française en picardie guide pratique des* - Aug 14 2023

web jun 10 2023 *exercice corrigé la révolution française l'histoire de la civilisation en europe depuis le quinzième siècle pdf la*



grotte sindou lot researchgate bilan abebooks

[la ra c volution frana aise en picardie guide pra pdf](#) - Mar 09 2023

web la ra c volution frana aise en picardie guide pra pdf is available in our book collection an online access to it is set as public so you can download it instantly our book servers

**lara fiche cheval actualités palmarès paristurf** - Jan 27 2022

web lara carte d identité généalogie performances et résultats de ses derniers courses

**pdf la ra c volution frana aise en picardie guide pra pdf** - Nov 05 2022

web for la ra c volution frana aise en picardie guide pra pdf and numerous book collections from fictions to scientific research in any way along with them is this la ra c

*la ra c volution frana aise en picardie guide pra uniport edu* - Sep 03 2022

web jun 11 2023 la ra c volution frana aise en picardie guide pra 1 1 downloaded from uniport edu ng on june 11 2023 by guest la ra c volution frana aise en picardie

[la ra c volution frana aise en picardie guide pra pdf](#) - Oct 04 2022

web dec 9 2022 la ra c volution frana aise en picardie guide pra 1 1 downloaded from 198 58 106 42 on december 9 2022 by guest la ra c volution frana aise en

**la ra c volution frana aise en picardie guide pra copy** - Nov 24 2021

web jun 6 2023 la ra c volution frana aise en picardie guide pra 2 8 downloaded from uniport edu ng on june 6 2023 by guest withering never to bloom again an

*la ra c volution frana aise en picardie guide pra pdf* - Jan 07 2023

web jun 5 2023 la ra c volution frana aise en picardie guide pra 2 7 downloaded from uniport edu ng on june 5 2023 by guest the birth of biopolitics m foucault 2008 04 17

[la révolution française en picardie guide pratique des](#) - Oct 24 2021

web sep 3 2023 la r volution fran aise ca books r volution fran aise abebooks miranda dans la r volution fran aise recueil de histoire de la r volution fran

**la révolution française en picardie guide pratique des** - Jul 13 2023

web convert pdf en ebook in buy tableaux de la r volution fran aise p la française french expression la r volution fran aise ca books pdf la grotte sindou lot

[lara fiche cheval palmarès et actualités turf fr](#) - Dec 26 2021

web fiche cheval lara informations détaillées statistiques générales et performances sur la carrière de lara

[free la ra c volution frana aise en picardie guide pra pdf](#) - Apr 10 2023

web la ra c volution frana ise en picardie guide pra pdf this is likewise one of the factors by obtaining the soft documents of this la ra c volution frana ise en picardie

**la révolution française en picardie guide pratique des** - Sep 22 2021

web la r volution fran aise 9782858828531 books quelques cas de r analyse et de grammaticalisation dans la revolucin qumica la rvolution franaise l histoire de

*lara fútbol club wikipedia* - Feb 25 2022

web histoire le club a été fondé en 1965 année où la formation de barquisimeto intègre directement le championnat de première division les débuts sont triomphants puisque

*la ra c volution frana ise en picardie guide pra 2022* - Jul 01 2022

web keenness of this la ra c volution frana ise en picardie guide pra can be taken as skillfully as picked to act handbook of advanced plasma processing techniques r j shul

**laracvolutionfranaaiseenpicardieguidepra pdf** - Aug 02 2022

web la ra c volution frana ise en picardie guide pra pdf la ra c volution frana ise en picardie guide pra 1 la ra c volution frana ise en picardie guide pra thank you very

la ra c volution frana ise en picardie guide pra pdf - Feb 08 2023

web may 9 2023 la ra c volution frana ise en picardie guide pra recognizing the showing off ways to get this book la ra c volution frana ise en picardie guide pra is

**la révolution française en picardie guide pratique des** - May 11 2023

web le spectre du jacobinisme l exprience constitutionnelle camille desmoulins rechtsanwalt franzsische revolution in buy tableaux de la r volution fran aise p

**classement deportivo lara liga futve venezuela 2023** - Mar 29 2022

web consultez le classement du club deportivo lara en championnat liga futve venezuela pour la saison 2023

*la ra c volution frana ise en picardie guide pra pdf* - May 31 2022

web la ra c volution frana ise en picardie guide pra 2 7 downloaded from avenza dev avenza com on november 10 2022 by guest process yields at each step of the

**la ra c volution frana ise en picardie guide pra pdf** - Jun 12 2023

web era to download any of our books when this one merely said the la ra c volution frana ise en picardie guide pra pdf is universally compatible taking into account any

**la ra c volution frana ise en picardie guide pra pdf** - Dec 06 2022

web recognizing the way ways to get this book la ra c volution frana ise en picardie guide pra is additionally useful you have

remained in right site to begin getting this info

[testimony that sticks the art of communicating psychology](#) - Jul 18 2023

web feb 4 2019 testimony that sticks shares the fruits of four years of in depth interviews with over 70 seasoned forensic neuropsychologists and psychologists as well as attorneys and judges presenting what

**testimony that sticks the art of communicating psy pdf** - May 04 2022

web find the money for testimony that sticks the art of communicating psy and numerous books collections from fictions to scientific research in any way in the midst of them is this testimony that sticks the art of communicating psy that can be your partner testimony that sticks the art of communicating psy 2023 04 26

[testimony that sticks the art of communicating psychology](#) - Nov 10 2022

web add to cart add this copy of testimony that sticks the art of communicating to cart 54 38 like new condition sold by greatbookprices rated 4 0 out of 5 stars ships from columbia md united states published 2019 by oxford university press usa

[testimony that sticks the art of communicating psy rick](#) - Jul 06 2022

web this testimony that sticks the art of communicating psy as one of the most effective sellers here will very be in the course of the best options to review forensic neuropsychology glenn j larrabee

[testimony that sticks the art of communicating psychology](#) - Mar 14 2023

web feb 1 2019 request pdf testimony that sticks the art of communicating psychology and neuropsychology to juries how do we create access to complex highly technical neuropsychological and

**testimony that sticks the art of communicating psychology** - Dec 11 2022

web select search scope currently catalog all catalog articles website more in one search catalog books media more in the stanford libraries collections articles journal articles other e resources

**testimony that sticks the art of communicating psychology** - May 16 2023

web aug 28 2020 testimony that sticks the art of communicating psychology and neuropsychology to juries august 2020 authors paul m richards no full text available references 3 2 3 the neuropsychologist

**testimony that sticks the art of communicating psychology** - Sep 20 2023

web apr 24 2020 testimony that sticks the art of communicating psychology and neuropsychology to juries

**testimony that sticks the art of communicating psychology** - Jun 17 2023

web testimony that sticks the art of communicating psychology and neuropsychology to juries postal karen amazon com tr kitap

[testimony that sticks the art of communicating psy brian w](#) - Sep 08 2022

web hundreds times for their chosen novels like this testimony that sticks the art of communicating psy but end up in harmful

downloads rather than enjoying a good book with a cup of coffee in the afternoon instead they cope with some malicious bugs inside their laptop testimony that sticks the art of communicating psy is available in our

*testimony that sticks the art of communicating psy pdf* - Apr 03 2022

web may 16 2023 testimony that sticks the art of communicating psy 2 9 downloaded from uniport edu ng on may 16 2023 by guest by biblical inquiry and theological conclusions and fleshed out in the context of a local culture and community this book explores all of these various facets of worship to help worship leaders worship planners

**testimony that sticks the art of communicating psy copy** - Feb 01 2022

web testimony that sticks the art of communicating psy 1 testimony that sticks the art of communicating psy department of the interior and related agencies appropriations for 1996 testimony of members of congress

testimony that sticks the art of communicating psychology - Apr 15 2023

web testimony that sticks the art of communicating psychology and neuropsychology to juries ebook written by karen postal read this book using google play books app on your pc android ios

*testimony that sticks the art of communicating psy pdf* - Aug 07 2022

web testimony that sticks the art of communicating psy a legacy of armenian treasures the art and science of expert witness testimony department of the interior and related agencies appropriations for 1995 testimony of public witnesses for natural resources management programs hip hop as philosophical text and testimony learning from

**testimony that sticks the art of communicating psy robert** - Jun 05 2022

web testimony that sticks the art of communicating psy as one of the most enthusiastic sellers here will extremely be among the best options to review coping with psychiatric and psychological testimony jay ziskin 1995 normativity and control david owens 2018 01 26 do we control what we believe are we responsible for what we believe

testimony that sticks the art of communicating psy pdf - Mar 02 2022

web apr 17 2023 testimony that sticks the art of communicating psy 1 7 downloaded from uniport edu ng on april 17 2023 by guest testimony that sticks the art of communicating psy thank you completely much for downloading testimony that

sticks the art of communicating psy maybe you have knowledge that people have look

**testimony that sticks the art of communicating psychology** - Aug 19 2023

web mar 18 2019 this book allows readers to be a fly on the wall as seasoned forensic neuropsychologists and psychologists share what they actually say on the stand their best strategies and techniques for communicating science to juries and other triers of fact

testimonythatstickstheartofcommunicatingpsy - Oct 09 2022

web to testimony that sticks the art of communicating psy testimony that sticks the art of communicating psychology mar 22

2022 following on the success of feedback that sticks oxford 2013 karen postal demonstrates through the words of forensic experts how to translate complex highly technical

**testimony that sticks the art of communicating psychology** - Jan 12 2023

web mar 18 2019 testimony that sticks shares the fruits of four years of in depth interviews with over 70 seasoned forensic neuropsychologists and psychologists as well as attorneys and judges presenting what experts actually say on the stand how they use compelling analogies metaphors and succinct explanations of assessment processes and findings

testimony that sticks the art of communicating psychology - Feb 13 2023

web testimony that sticks shares the fruits of four years of in depth interviews with over 70 seasoned forensic neuropsychologists and psychologists as well as attorneys and judges presenting what experts actually say on the stand how they use compelling analogies metaphors and succinct explanations of assessment processes and findings as

*derecho privado romano casos acciones instituciones* - May 03 2023

web derecho privado romano casos acciones instituciones garcía garrido manuel Jesús amazon es libros

**derecho privado romano casos acciones instituciones** - Jun 04 2023

web sinopsis de derecho privado romano casos acciones instituciones el libro derecho privado romano casos acciones instituciones 2015 escrito por manuel Jesus

derecho privado romano casos acciones e instituci - Jul 25 2022

web aug 10 2023 inspiring enter the realm of derecho privado romano casos acciones e instituci a mesmerizing literary masterpiece penned by a distinguished author guiding

derecho privado romano casos acciones e instituci pdf - Aug 26 2022

web aug 19 2023 derecho privado romano casos acciones e instituci 1 13 downloaded from uniport edu ng on august 19 2023 by guest derecho privado romano casos

**derecho privado romano casos acciones e instituci 2023** - Oct 08 2023

web derecho privado romano casos acciones e instituci 1 omb no 6395017384069 derecho privado romano casos acciones e instituci la ruptura de la promesa de

*derecho privado romano casos acciones e instituci full pdf* - Jan 31 2023

web derecho privado romano sep 24 2022 derecho privado romano casos acciones instituciones sep 05 2023 derecho privado romano aug 12 2021 max kaser 1906

derecho privado romano casos acciones e instituci download - Oct 28 2022

web derecho privado romano casos acciones e instituci la violencia como vicio del consentimiento contractual estudios completos de propiedad intelectual instituciones y

**derecho privado romano casos acciones e instituci download** - Nov 16 2021

web derecho privado romano hacia un modelo de investigación sostenible en educación de la consignación en derecho romano a su proyección en el derecho civil derecho

**r de d uned núm 23 2018 e m c researchgate** - Jul 05 2023

web la historia de roma sus instituciones jurídicas y el estudio de casos reales y acciones para la defensa de los derechos de los ciuda danos consideramos que además de

*derecho privado romano casos acciones e instituci uniport edu* - Jan 19 2022

web feb 20 2023 this online pronouncement derecho privado romano casos acciones e instituci can be one of the options to accompany you considering having extra time it

**derecho privado romano casos acciones e instituci** - Aug 06 2023

web derecho privado romano casos acciones e instituci persona derecho romano clasificación de acciones en el derecho romano jair paucara pérez historia del

riassunto istituzioni di diritto privato romano andrea lovato - Mar 01 2023

web in tal caso il convenuto nell azione esecutiva era liberato ed estromesso dalla lite e soggetto passivo diventava il vindex sul quale incombeva l onere di intraprendere un

*derecho privado romano casos acciones e instituci copy* - Jun 23 2022

web mar 18 2023 derecho privado romano casos acciones e instituci 2 20 downloaded from uniport edu ng on march 18 2023 by guest parte nos limitamos a enunciar los

derecho privado romano casos acciones e instituci pdf - Dec 18 2021

web 4 derecho privado romano casos acciones e instituci 2023 10 03 que dieron solución a los problemas de la antigua roma y que aún hoy sirven de guía para resolver

**derecho privado romano casos acciones e instituciones** - Sep 07 2023

web disfruta de miles de audiolibros y podcasts originales derecho privado romano casos acciones e instituciones manuel jesús garcía garrido amazon es libros

*derecho privado romano casos acciones e instituci 2023* - Mar 21 2022

web derecho privado romano casos acciones e instituci 5 5 derecho privado y el derecho procesal civil en 1931 consiguió la venia docendi en derecho romano y

**derecho privado romano casos acciones e instituci** - Dec 30 2022

web derecho privado romano casos acciones e instituci cuestionarios de derecho romano de la consignación en derecho romano a su proyección en el derecho civil

derecho privado romano casos acciones e instituci copy - May 23 2022

web oct 22 2023 derecho privado romano casos acciones e instituci 1 1 downloaded from uniport edu ng on october 22 2023 by guest derecho privado romano casos

derecho privado romano casos acciones e instituci pdf ftp - Feb 17 2022

web derecho privado romano breve sintesis historica de roma y su derecho instituciones y casos de derecho romano contribuciones al derecho romano de sucesiones y

derecho privado romano casos acciones e instituci download - Apr 21 2022

web derecho privado romano casos acciones e instituci 1 derecho privado romano casos acciones e instituci los servicios telefónicos de tarificación

derecho privado romano casos acciones e instituci book - Sep 26 2022

web derecho privado romano casos acciones e instituci derecho privado romano dec 18 2022 sistema del derecho romano actual 4 oct 24 2020 los servicios

*derecho privado romano casos acciones e instituci pdf* - Nov 28 2022

web may 8 2023 derecho privado romano casos acciones e instituci 2 13 downloaded from uniport edu ng on may 8 2023 by guest evidentemente en clara relación con los

**derecho privado romano acciones casos instituciones** - Apr 02 2023

web más opciones de compra de otros vendedores en iberlibro usado desde eur 24 00 derecho privado romano casos acciones instituciones garcía garrido