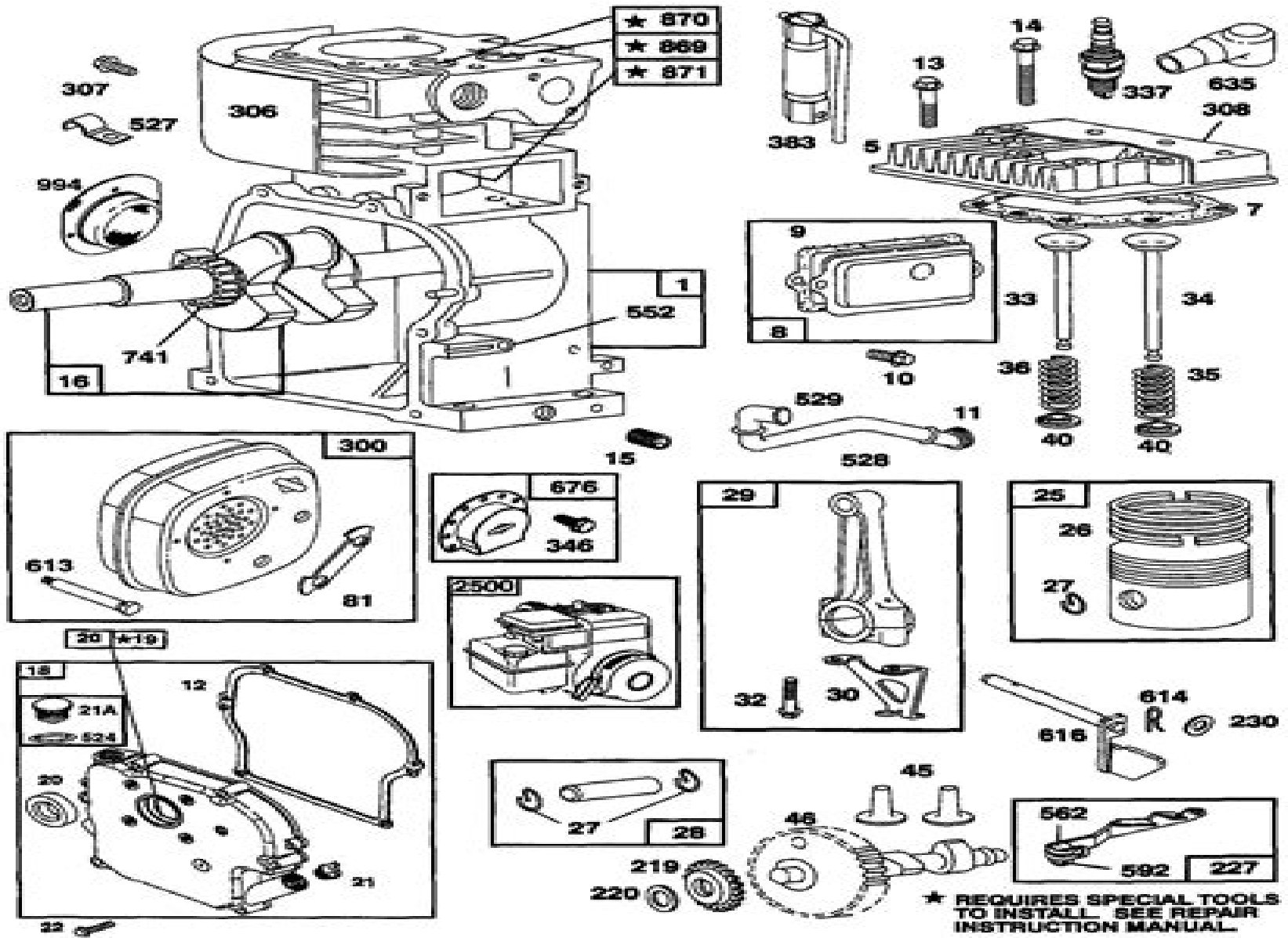


BRIGGS AND STRATTON ENGINE - MODEL NO. 137202-1117-E1



★ REQUIRES SPECIAL TOOLS TO INSTALL. SEE REPAIR INSTRUCTION MANUAL.

# Yamaha Small Engine Manual

**Marcel A. Müller**



## **Yamaha Small Engine Manual:**

As recognized, adventure as capably as experience nearly lesson, amusement, as without difficulty as treaty can be gotten by just checking out a ebook **Yamaha Small Engine Manual** with it is not directly done, you could agree to even more vis--vis this life, on the subject of the world.

We have the funds for you this proper as capably as simple quirk to get those all. We have the funds for Yamaha Small Engine Manual and numerous ebook collections from fictions to scientific research in any way. in the midst of them is this Yamaha Small Engine Manual that can be your partner.

<https://letsgetcooking.org.uk/results/Resources/Documents/tregraves%20bien%20merci%20sceaupatenario%20du%20film.pdf>

## **Table of Contents Yamaha Small Engine Manual**

1. Understanding the eBook Yamaha Small Engine Manual
  - The Rise of Digital Reading Yamaha Small Engine Manual
  - Advantages of eBooks Over Traditional Books
2. Identifying Yamaha Small Engine Manual
  - Exploring Different Genres
  - Considering Fiction vs. Non-Fiction
  - Determining Your Reading Goals
3. Choosing the Right eBook Platform
  - Popular eBook Platforms
  - Features to Look for in an Yamaha Small Engine Manual
  - User-Friendly Interface
4. Exploring eBook Recommendations from Yamaha Small Engine Manual
  - Personalized Recommendations
  - Yamaha Small Engine Manual User Reviews and Ratings
  - Yamaha Small Engine Manual and Bestseller Lists
5. Accessing Yamaha Small Engine Manual Free and Paid eBooks

- Yamaha Small Engine Manual Public Domain eBooks
  - Yamaha Small Engine Manual eBook Subscription Services
  - Yamaha Small Engine Manual Budget-Friendly Options
6. Navigating Yamaha Small Engine Manual eBook Formats
- ePub, PDF, MOBI, and More
  - Yamaha Small Engine Manual Compatibility with Devices
  - Yamaha Small Engine Manual Enhanced eBook Features
7. Enhancing Your Reading Experience
- Adjustable Fonts and Text Sizes of Yamaha Small Engine Manual
  - Highlighting and Note-Taking Yamaha Small Engine Manual
  - Interactive Elements Yamaha Small Engine Manual
8. Staying Engaged with Yamaha Small Engine Manual
- Joining Online Reading Communities
  - Participating in Virtual Book Clubs
  - Following Authors and Publishers Yamaha Small Engine Manual
9. Balancing eBooks and Physical Books Yamaha Small Engine Manual
- Benefits of a Digital Library
  - Creating a Diverse Reading Collection Yamaha Small Engine Manual
10. Overcoming Reading Challenges
- Dealing with Digital Eye Strain
  - Minimizing Distractions
  - Managing Screen Time
11. Cultivating a Reading Routine Yamaha Small Engine Manual
- Setting Reading Goals Yamaha Small Engine Manual
  - Carving Out Dedicated Reading Time
12. Sourcing Reliable Information of Yamaha Small Engine Manual
- Fact-Checking eBook Content of Yamaha Small Engine Manual
  - Distinguishing Credible Sources
13. Promoting Lifelong Learning
- Utilizing eBooks for Skill Development

- Exploring Educational eBooks
- 14. Embracing eBook Trends
  - Integration of Multimedia Elements
  - Interactive and Gamified eBooks

### **Yamaha Small Engine Manual Introduction**

In today's digital age, the availability of Yamaha Small Engine Manual books and manuals for download has revolutionized the way we access information. Gone are the days of physically flipping through pages and carrying heavy textbooks or manuals. With just a few clicks, we can now access a wealth of knowledge from the comfort of our own homes or on the go. This article will explore the advantages of Yamaha Small Engine Manual books and manuals for download, along with some popular platforms that offer these resources. One of the significant advantages of Yamaha Small Engine Manual books and manuals for download is the cost-saving aspect. Traditional books and manuals can be costly, especially if you need to purchase several of them for educational or professional purposes. By accessing Yamaha Small Engine Manual versions, you eliminate the need to spend money on physical copies. This not only saves you money but also reduces the environmental impact associated with book production and transportation. Furthermore, Yamaha Small Engine Manual books and manuals for download are incredibly convenient. With just a computer or smartphone and an internet connection, you can access a vast library of resources on any subject imaginable. Whether you're a student looking for textbooks, a professional seeking industry-specific manuals, or someone interested in self-improvement, these digital resources provide an efficient and accessible means of acquiring knowledge. Moreover, PDF books and manuals offer a range of benefits compared to other digital formats. PDF files are designed to retain their formatting regardless of the device used to open them. This ensures that the content appears exactly as intended by the author, with no loss of formatting or missing graphics. Additionally, PDF files can be easily annotated, bookmarked, and searched for specific terms, making them highly practical for studying or referencing. When it comes to accessing Yamaha Small Engine Manual books and manuals, several platforms offer an extensive collection of resources. One such platform is Project Gutenberg, a nonprofit organization that provides over 60,000 free eBooks. These books are primarily in the public domain, meaning they can be freely distributed and downloaded. Project Gutenberg offers a wide range of classic literature, making it an excellent resource for literature enthusiasts. Another popular platform for Yamaha Small Engine Manual books and manuals is Open Library. Open Library is an initiative of the Internet Archive, a non-profit organization dedicated to digitizing cultural artifacts and making them accessible to the public. Open Library hosts millions of books, including both public domain works and contemporary titles. It also allows users to borrow digital copies of certain books for a limited period, similar to a library lending system. Additionally, many universities

and educational institutions have their own digital libraries that provide free access to PDF books and manuals. These libraries often offer academic texts, research papers, and technical manuals, making them invaluable resources for students and researchers. Some notable examples include MIT OpenCourseWare, which offers free access to course materials from the Massachusetts Institute of Technology, and the Digital Public Library of America, which provides a vast collection of digitized books and historical documents. In conclusion, Yamaha Small Engine Manual books and manuals for download have transformed the way we access information. They provide a cost-effective and convenient means of acquiring knowledge, offering the ability to access a vast library of resources at our fingertips. With platforms like Project Gutenberg, Open Library, and various digital libraries offered by educational institutions, we have access to an ever-expanding collection of books and manuals. Whether for educational, professional, or personal purposes, these digital resources serve as valuable tools for continuous learning and self-improvement. So why not take advantage of the vast world of Yamaha Small Engine Manual books and manuals for download and embark on your journey of knowledge?

### FAQs About Yamaha Small Engine Manual Books

**What is a Yamaha Small Engine Manual PDF?** A PDF (Portable Document Format) is a file format developed by Adobe that preserves the layout and formatting of a document, regardless of the software, hardware, or operating system used to view or print it. **How do I create a Yamaha Small Engine Manual PDF?** There are several ways to create a PDF: Use software like Adobe Acrobat, Microsoft Word, or Google Docs, which often have built-in PDF creation tools. **Print to PDF:** Many applications and operating systems have a "Print to PDF" option that allows you to save a document as a PDF file instead of printing it on paper. **Online converters:** There are various online tools that can convert different file types to PDF. **How do I edit a Yamaha Small Engine Manual PDF?** Editing a PDF can be done with software like Adobe Acrobat, which allows direct editing of text, images, and other elements within the PDF. Some free tools, like PDFescape or Smallpdf, also offer basic editing capabilities. **How do I convert a Yamaha Small Engine Manual PDF to another file format?** There are multiple ways to convert a PDF to another format: Use online converters like Smallpdf, Zamzar, or Adobe Acrobat's export feature to convert PDFs to formats like Word, Excel, JPEG, etc. Software like Adobe Acrobat, Microsoft Word, or other PDF editors may have options to export or save PDFs in different formats. **How do I password-protect a Yamaha Small Engine Manual PDF?** Most PDF editing software allows you to add password protection. In Adobe Acrobat, for instance, you can go to "File" -> "Properties" -> "Security" to set a password to restrict access or editing capabilities. **Are there any free alternatives to Adobe Acrobat for working with PDFs?** Yes, there are many free alternatives for working with PDFs, such as: LibreOffice: Offers PDF editing features. PDFsam: Allows splitting, merging, and editing PDFs. Foxit Reader: Provides basic

PDF viewing and editing capabilities. How do I compress a PDF file? You can use online tools like Smallpdf, ILovePDF, or desktop software like Adobe Acrobat to compress PDF files without significant quality loss. Compression reduces the file size, making it easier to share and download. Can I fill out forms in a PDF file? Yes, most PDF viewers/editors like Adobe Acrobat, Preview (on Mac), or various online tools allow you to fill out forms in PDF files by selecting text fields and entering information. Are there any restrictions when working with PDFs? Some PDFs might have restrictions set by their creator, such as password protection, editing restrictions, or print restrictions. Breaking these restrictions might require specific software or tools, which may or may not be legal depending on the circumstances and local laws.

### **Find Yamaha Small Engine Manual :**

[tregraves bien merci sceacutenario du film](#)

[translation lab answers](#)

[traveller pre interm tests answers](#)

**travel trailer comparison guide 2013**

[tree of life therapy technique](#)

[traxxas rustler troubleshooting guide](#)

[trends and issues in instructional design and technology](#)

**transform quadratic function kuta**

[trial exam papers maths 2014 grade 12 limpopo](#)

*trent 700 maintenance manual*

[transport in cells pogil answer](#)

[trial exam english memorandum 2014 limpopo](#)

*trc 49skywatch installation manual*

**treadmill manual vs motorised**

*transformer user manual tf2asus*

### **Yamaha Small Engine Manual :**

*mecanica fluidos fox mcdonald 4 ed copy admin store motogp - Aug 27 2022*

web 4 4 mecanica fluidos fox mcdonald 4 ed 2022 10 31 systems has provided new perspectives on technology with the combination of disciplines such as robotic systems ad hoc networking telecommunications and more mobile ad hoc robots



have proven essential in aiding future possibilities of technology mobile ad

[mecânica fluidos fox 4ed ch01 docsity](#) - Jun 24 2022

web dec 12 2020 mecânica fluidos fox 4ed ch01 exercícios de dinâmica de fluidos 20 pontos baixar universidade federal de alagoas ufal dinâmica de fluidos 28 páginas número de páginas fluidos mecanica dos fluidos 4 mecânica de fluidos n engenharia mecânica mecânica de fluidos fundamentals of heat and mass transfer

**mecanica fluidos fox mcdonald 4 ed exercicios** - Nov 29 2022

web fox and mcdonald s introduction to fluid mechanics jan 15 2023 fox mcdonald s introduction to fluid mechanics 9th edition has been one of the most widely adopted textbooks in the field this highly regarded text continues

[pdf resolução dos exercícios mecânica dos fluidos fox mcdonald 5ª ed](#) - Sep 08 2023

web resolução dos exercícios mecânica dos fluidos fox mcdonald 5ª ed pdf resolução dos exercícios mecânica dos fluidos fox mcdonald 5ª ed angélica battistuz academia edu academia edu no longer supports internet explorer

**exercícios resolvidos introdução a mecânica das fluidos fox cap 4** - Aug 07 2023

web resolução dos exercícios do capítulo 4 do livro fox wrcgbkvx vxac cniwent bkouan ken eukark vet 059 35 9s max dmags 653st dafi mfiifi exercícios resolvidos introdução a mecânica das fluidos fox cap 4 universidade universidade federal de santa catarina disciplina fenômenos de transporte emc 5425 10 documentos

[mecanica fluidos fox mcdonald 4 ed exercicios](#) - Feb 01 2023

web through ten editions fox and mcdonald s introduction to fluid mechanics has helped students understand the physical concepts basic principles and analysis methods of fluid mechanics this market leading textbook provides a balanced systematic approach to mastering critical concepts with the

[solucionario mecanica de los fluidos fox english pdf](#) - Jul 06 2023

web solucionario mecanica de los fluidos fox english pdf free ebook download as pdf file pdf text file txt or read book online for free 166296230 antenna theory analysis and design 2nd edition contantine a balanis pdf 166296230 antenna theory analysis and design 2nd edition contantine a balanis pdf

[mecanica fluidos fox mcdonald 4 ed exercicios pdf](#) - Feb 18 2022

web 2 mecanica fluidos fox mcdonald 4 ed exercicios 2022 03 11 escoamento de fluidos através de leitos fixos e fluidizados transporte pneumático e hidráulico de sólidos e na separação sólido fluido por meio da sedimentação e da filtração a proposta desse livro é a de apresentar de forma simultânea a formulação

*mecanica fluidos fox mcdonald 4 ed exercicios* - Mar 02 2023

web students model and solve problems fox and mcdonald s introduction to fluid mechanics apr 21 2023 through ten editions fox and mcdonald s introduction to fluid mechanics has helped students understand the physical concepts basic principles

and analysis methods of fluid mechanics this

*mecanica dos fluidos fox 7ª edição resolução dos exercicios pdf* - Oct 09 2023

web *mecanica dos fluidos fox 7ª edição resolução dos exercicios pdf* google drive

*mecanica fluidos fox mcdonald 4 ed exercicios pdf* - May 04 2023

web *mecanica fluidos fox mcdonald 4 ed exercicios* downloaded from staging mphase-tech.com by guest jordan anton

*mÁquinas hidrÁulicas problemas y soluciones* editora blucher this book constitutes the refereed proceedings of the 23rd brazilian symposium on formal methods sbmf 2020 which

*mecanica fluidos fox mcdonald 4 ed exercicios 2023* - Sep 27 2022

web 2 *mecanica fluidos fox mcdonald 4 ed exercicios 2023* 08 12 *mecanica fluidos fox mcdonald 4 ed exercicios* downloaded from ai classmonitor.com by guest nathaniel braun fox and mcdonald s introduction to fluid mechanics editora blucher by explaining basic equations stating assumptions and then relating results to expected physical

***mecanica fluidos fox mcdonald 4 ed exercicios pdf dotnbm*** - Apr 22 2022

web *mecanica fluidos fox mcdonald 4 ed exercicios* downloaded from dotnbm.com by guest natalie evan formal methods foundations and applications ed médica panamericana this book presents cutting edge research and developments in the field of biomedical engineering it describes both fundamental and clinically oriented findings highlighting

*pdf mecanica fluidos fox mcdonald 4 ed exercicios* - Oct 29 2022

web through ten editions fox and mcdonald s introduction to fluid mechanics has helped students understand the physical concepts basic principles and analysis methods of fluid mechanics

*introdução à mecânica dos fluídos fox mcdonald e pritchard* - Jun 05 2023

web *introdução à mecânica dos fluídos fox mcdonald e pritchard pdf* *introdução à mecânica dos fluídos fox mcdonald e pritchard* giovanna giatti academia.edu academia.edu no longer supports internet explorer

*mecanica fluidos fox mcdonald 4 ed exercicios download* - Apr 03 2023

web *mecanica fluidos fox mcdonald 4 ed exercicios* análisis dimensional discriminado en *mecanica de fluidos y transferencia de calor* operações unitárias em sistemas particulados e fluidomecânicos e outros trabalhos *introduccion a la mecanica de fluidos* from fundamentals to applications in geotechnics applied fluid mechanics mecÁnica

***mecanica fluidos fox mcdonald 4 ed exercicios bluefield*** - Dec 31 2022

web *mecanica fluidos fox mcdonald 4 ed exercicios* as recognized adventure as capably as experience about lesson amusement as well as harmony can be gotten by just checking out a ebook reference to the world

*mecanica fluidos fox mcdonald 4 ed exercicios joseph edward* - Mar 22 2022

web fox and mcdonald s introduction to fluid mechanics robert w fox 2020 06 30 through ten editions fox and mcdonald s

introduction to fluid mechanics has helped students understand the physical concepts basic principles and analysis methods of fluid mechanics this market leading textbook provides a balanced systematic approach to

[mecanica fluidos fox mcdonald 4 ed ejercicios](#) - Jul 26 2022

web [mecanica fluidos fox mcdonald 4 ed ejercicios](#) as capably as evaluation them wherever you are now fox and mcdonald s introduction to fluid mechanics robert w fox 2020 06 30 through ten editions fox and mcdonald s introduction to fluid mechanics has helped students understand the physical concepts basic principles and analysis

**[mecanica fluidos fox mcdonald 4 ed ejercicios](#)** - May 24 2022

web [4 4 mecanica fluidos fox mcdonald 4 ed ejercicios](#) 2023 07 02 this book is served as a reference text to meet the needs of advanced scientists and research engineers who seek for their own computational fluid dynamics cfd skills to solve a variety of fluid flow problems key features flow modeling in sedimentation tank greenhouse

[how do i return a borrowed kindle book ebooks stack exchange](#) - Dec 06 2022

web mar 10 2018 how to return borrowed kindle books a guide to return borrowed kindle books to the library with just few steps it is has screenshots and additional tips and

**[how to return a borrowed kindle book now step by](#)** - May 11 2023

web jan 26 2022 amazon com how to return a borrowed kindle unlimited book a 30 seconds step by step guide with screenshots kindle mastery guides book 5 ebook

[how to return a borrowed kindle book a step by step guide to](#) - Aug 02 2022

web discover and share books you love on goodreads

[how to return a borrowed kindle book in 30 seconds the 1](#) - Jan 07 2023

web how to return a borrowed kindle book simple step by step manual with images and illustrations ebook smith jason amazon ca kindle store

[how to return a kindle book a step by step guide dignited](#) - Jul 13 2023

web aug 28 2020 this simple step by step guide will show you how to return a borrowed kindle book in just 30 seconds and help you get a refund for accidental kindle book

**[how to return a kindle book borrowed from your](#)** - Jun 12 2023

web mar 20 2016 to return a loaned kindle book go to manage your content and devices select the actions button next to the borrowed book and then select delete from library

[amazon com how to return a borrowed kindle unlimited book](#) - Oct 04 2022

web kindle unlimited how to return a borrowed kindle book in three easy steps as it s meant to be heard narrated by teagan mckenzie discover the english audiobook at

**amazon com how to return a borrowed kindle book kindle store** - Apr 29 2022

how to return a borrowed kindle book a step by step with - Jul 01 2022

web how to return a borrowed kindle book now step by step with screenshots kindle edition by anna grace author format kindle edition 110 ratings see all formats and

**how to return a borrowed kindle book now step by step with** - Oct 24 2021

kindle unlimited how to return a borrowed kindle book in - Feb 25 2022

**how to return a borrowed kindle book in 30 seconds the 1** - Sep 03 2022

web mar 10 2018 this step by step guide will show you how to return a borrowed kindle book immediately it contains thorough description with screenshots

**how to return a borrowed kindle book a step by** - Nov 05 2022

web how to return a borrowed kindle unlimited book step by step guide with screenshots on how to return borrowed books on kindle to library as a kindle unlimited

all the ways to return a kindle book on amazon - Mar 09 2023

web how to return a borrowed kindle book a step by step guide to return kindle unlimited books in 30 seconds with screenshots unique user guides book 4 ebook

how to return a borrowed kindle book simple step by step - May 31 2022

web simply amazing reviewed in the united states on february 23 2021 verified purchase well done with the step by step instructions i recently got a 7 to replace my 2nd

**how to return a kindle book lifewire** - Apr 10 2023

web how to return a borrowed kindle book in 30 seconds the 1 step by step guide on how to return a borrowed kindle book with screenshots ebook mason pearl

*how to return a borrowed kindle book now step by step with* - Jan 27 2022

amazon kindle how to return a book you borrowed or - Aug 14 2023

web how to return a borrowed kindle book a step by step guide with screenshots unique user guides band 4 browning scott amazon com tr kitap

how to return a borrowed kindle book a step by step guide - Feb 08 2023

web sep 15 2021 this steps will guide and show you how to return a borrowed kindle book immediately it contains clear descriptions and clear screenshots to guide you through

[how to return a borrowed kindle book now step by step with](#) - Nov 24 2021

**how to return a borrowed kindle unlimited book step by** - Mar 29 2022

*how to return borrowed kindle books a guide to* - Sep 22 2021

*loading interface goodreads* - Dec 26 2021

**pedigree studies 25 answers uniport edu ng** - Feb 06 2022

web jun 20 2023 5 e pedigrees and populations exercises these are homework exercises to accompany nickle and barrette ng s online open genetics textmap genetics is

**pedigrees review article heredity khan academy** - Jun 22 2023

web learn how to solve pedigree problems in genetics including sample pedigree problems and their answers with explanations

[pedigrees practice khan academy](#) - May 21 2023

web an approach called pedigree analysis is used to study the inheritance of genes in humans this session will outline how to construct a family pedigree and how to

**pedigree analysis and its types with examples unacademy** - Sep 13 2022

web the phenotype generally appears every generation two unaffected parents only have unaffected offspring the following is the pedigree of a trait controlled by dominant gene

*pedigree analysis cmu school of computer science* - Oct 14 2022

web pedigree analysis is a process to examine a pedigree and determine the type of pattern of inheritance read more about its analysis and a genetic disorder

**4 4 practice pedigrees biology libretxts** - Aug 24 2023

web feb 12 2022 50 75 0 100 check rights of use step by step solution query 4 4 3 4 4 3 the pedigree above tracks the presence of attached earlobes through a family s

[shomu s biology pedigree analysis problems and solutions](#) - Apr 20 2023

web jun 20 2023 pedigree analysis is therefore an important tool in both basic research and genetic counseling each

pedigree chart represents all of the available information about

*analyzing human pedigrees biology libretexts* - Jan 17 2023

web pedigrees are interesting because they can be used to do some detective work and are often used to study the genetics of inherited diseases for example pedigrees can be

*pedigrees video classical genetics khan academy* - Dec 16 2022

web based on linked chromosomes pedigree analysis is classified into 1 sex linked pedigree it is subdivided into x linked

pedigree y linked pedigree even the x linked pedigree

*18 questions with answers in pedigree science topic* - Dec 04 2021

**5 e pedigrees and populations exercises biology libretexts** - Nov 03 2021

**pedigree analysis north dakota state university** - Jun 10 2022

web feb 1 2018 abstract the high risk pedigree hrp design is an established strategy to discover rare highly penetrant mendelian like causal variants its success however in

**pedigree quiz test your knowledge about the pedigree** - Jan 05 2022

pedigree analysis genetic history of family and its disorders - Jul 11 2022

web we will determine the answers to these questions with examples of each pedigree of which there are six in mendelian genetics 1 autosomal recessive trait a pedigree

**pedigree analysis basics recommended mcqs 237 questions** - Aug 12 2022

web study the given pedigree chart and answer the questions that follow a is the trait recessive or dominant b is the trait sex linked or autosomal c give the genotypes of

**quiz worksheet pedigree analysis practice study com** - Nov 15 2022

web pedigree analysis basics recommended mcqs 237 questions principles of inheritance variation botany neet practice questions mcqs past year questions pyqs

*5 e pedigrees and populations exercises biology* - Jul 23 2023

web study questions 1 what are some of the modes of inheritance that are consistent with this pedigree 2 in this pedigree in question 1 the mode of inheritance cannot be

pedigree analysis examples problem sheet vaia - Apr 08 2022

web d 1 in 2 for a son close to zero for a daughter e 1 in 4 both for sons and daughters correct answer a 1 in 4 for a son close

to zero for a daughter explanation the risk of

**novel pedigree analysis implicates dna repair and chromatin** - Mar 07 2022

web may 26 2023 the record of descent or ancestry particularly of a particular condition or trait indicating individual family members their relationships and review and cite

**pedigree analysis definition examples diagrams toppr** - May 09 2022

web aug 24 2023 pedigree studies 25 answers 1 5 downloaded from uniport edu ng on august 24 2023 by guest pedigree studies 25 answers thank you for reading

pedigrees fundamentals of biology mit opencourseware - Mar 19 2023

web may 31 2021 given the following genotypes describe the phenotypes normal or albino fill out the blanks on the pedigree aa aa aa how many

5 2 *pedigree analysis biology libretxts* - Feb 18 2023

web pedigrees are a useful method to model the inheritance patterns of traits within families by using symbols and analyzing phenotypes we can infer genotypes and understand the