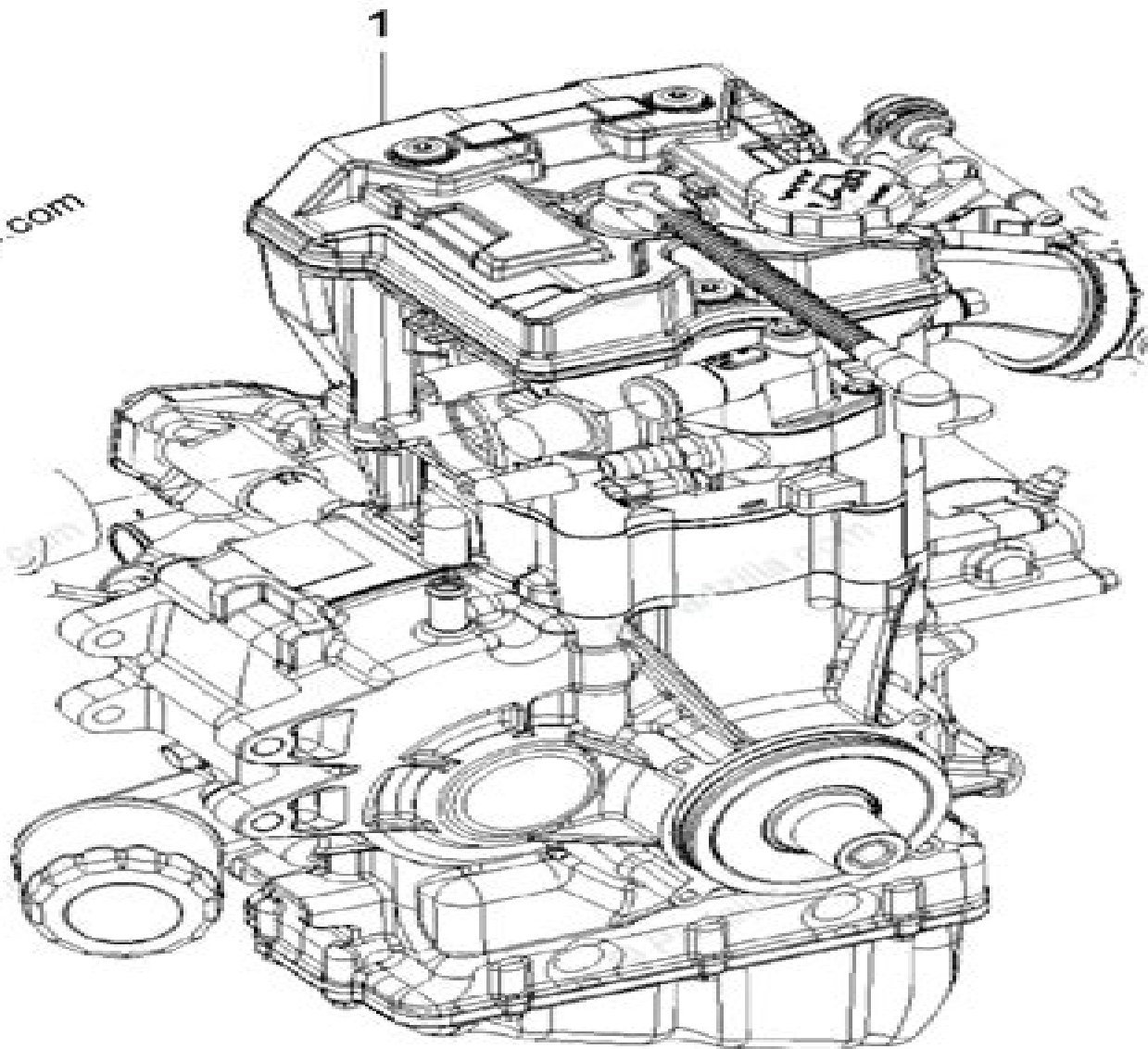


© Partzilla.com



© 2013 Polaris Sales Inc.

Polaris Motor Manual

Hussin A.Rothana



Polaris Motor Manual:

The Development of Propulsion Technology for U.S. Space-Launch Vehicles, 1926-1991 J. D. Hunley, 2013-03-15

In this definitive study J D Hunley traces the program s development from Goddard s early rockets and the German V 2 missile through the Titan IVA and the Space Shuttle with a focus on space launch vehicles Since these rockets often evolved from early missiles he pays considerable attention to missile technology not as an end in itself but as a contributor to launch vehicle technology Focusing especially on the engineering culture of the program Hunley communicates this very human side of technological development by means of anecdotes character sketches and case studies of problems faced by rocket engineers He shows how such a highly adaptive approach enabled the evolution of a hugely complicated technology that was impressive but decidedly not rocket science Unique in its single volume coverage of the evolution of launch vehicle technology from 1926 to 1991 this meticulously researched work will inform scholars and engineers interested in the history of technology and innovation as well as those specializing in the history of space flight

Snowmobile Service Manual

Intertec Publishing Corporation. Technical Publications Division, 1971 *The Astrophotography Manual* Chris Woodhouse, 2017-12-04 The Astrophotography Manual Second Edition is for photographers ready to move beyond standard SLR cameras and editing software to create beautiful images of nebulae galaxies clusters and the stars Beginning with a brief astronomy primer this book takes readers through the full astrophotography process from choosing and using equipment to image capture calibration and processing This combination of technical background and hands on approach brings the science down to earth with practical methods to ensure success This second edition now includes Over 170 pages of new content within 22 new chapters with 600 full color illustrations Covers a wide range of hardware including mobile devices remote control and new technologies Further insights into leading software including automation Sequence Generator Pro and PixInsight Ground breaking practical chapters on hardware and software as well as alternative astrophotography pursuits

The NexStar User's Guide Michael Swanson, 2012-12-06 Michael Swanson s online discussions with literally

thousands of NexStar owners made it clear that there was a desperate need for a book such as this one that provides a complete detailed guide to buying using and maintaining NexStar telescopes Although this book is highly comprehensive it is suitable for beginners there is a chapter on Astronomy Basics and experts alike Celestron s NexStar telescopes were introduced in 1999 beginning with their first computer controlled go to model a 5 inch More models appeared in quick succession and Celestron s new range made it one of the two dominant manufacturers of affordable go to telescopes

Technical Abstract Bulletin Defense Documentation Center (U.S.), 1964 **Popular Mechanics**, 1968-10 Popular

Mechanics inspires instructs and influences readers to help them master the modern world Whether it s practical DIY home improvement tips gadgets and digital technology information on the newest cars or the latest breakthroughs in science PM is the ultimate guide to our high tech lifestyle *Clymer Snowmobile Service Manual 11th Edition* Penton Staff, 1991-06-01

With the help of the Clymer Snowmobile Service Manual 11th Edition in your toolbox you will be able to maintain service and repair your snowmobile to extend its life for years to come Clymer manuals are very well known for their thorough and comprehensive nature This manual is loaded with step by step procedures along with detailed photography exploded views charts and diagrams to enhance the steps associated with a service or repair task This Clymer manual is organized by subsystem with procedures grouped together for specific topics such as front suspension brake system engine and transmission It includes color wiring diagrams The language used in this Clymer repair manual is targeted toward the novice mechanic but is also very valuable for the experienced mechanic The service manual by Clymer is an authoritative piece of DIY literature and should provide you the confidence you need to get the job done and save money too

Technical Manual United States. War Department,1944 The Motor ,1975 *A User's Guide to the Meade LXD55 and LXD75 Telescopes* Martin Peston,2010-04-28 I have owned telescopes for over 25 years since I was a young lad I purchased an LXD55 AR 6 Refractor in 2002 and was one of the first to own one in the UK I am also a proud owner of an LXD75 SC 8 Armed with these two very different telescopes I have spent many hours searching the skies for interesting objects using Meade s Autostar Goto facility My motivation to write a book about the LXD Goto telescope series first came from comments about an LXD55 AR 6 Refractor review that was published on the LXD55 com website From then on I have had regular emails from people asking technical questions about the telescope and which model is best suited for them Whilst attending Star parties in the UK I found that many LXD owners would struggle to use them even at a basic level especially if they have never owned or used an equatorially mounted Goto telescope before Since the first LXD55 models came out in early 2002 owners have struggled to find useful information to help them use the telescopes to the best advantage There have been mixed reactions about its quality and performance Hence this book is directed towards those who are new to Goto and the LXD telescope

Catalogue Montgomery Ward,1974 **Small Engines Service Manual** Intertec Publishing Corporation,1985-10 *A Manual of Human Physiology* Leonard Landois,1885 *Motor Cycling and Motoring* ,1986 Ballistic Missile Defense United States. General Accounting Office,1993 **Popular Mechanics** ,1968-10 Popular Mechanics inspires instructs and influences readers to help them master the modern world Whether it s practical DIY home improvement tips gadgets and digital technology information on the newest cars or the latest breakthroughs in science PM is the ultimate guide to our high tech lifestyle

MotorBoating ,1965-11 **Boating** ,1996-01 **United States Government Publications Monthly Catalog** ,1943 **Advanced Engineering Solutions** Yu Hang Yang,Mao De Ma,2014-07-30 Selected peer reviewed papers from the 4th International Conference on Intelligent Structure and Vibration Control ISVC 2014 July 25 28 2014 Chongqing China

As recognized, adventure as capably as experience not quite lesson, amusement, as skillfully as arrangement can be gotten by just checking out a ebook **Polaris Motor Manual** with it is not directly done, you could agree to even more roughly speaking this life, roughly speaking the world.

We manage to pay for you this proper as skillfully as simple pretension to get those all. We come up with the money for Polaris Motor Manual and numerous book collections from fictions to scientific research in any way. accompanied by them is this Polaris Motor Manual that can be your partner.

<https://letsgetcooking.org.uk/files/Resources/index.jsp/Repair%20Manual%20Kenmore%20Dryer%202011.pdf>

Table of Contents Polaris Motor Manual

1. Understanding the eBook Polaris Motor Manual
 - The Rise of Digital Reading Polaris Motor Manual
 - Advantages of eBooks Over Traditional Books
2. Identifying Polaris Motor Manual
 - Exploring Different Genres
 - Considering Fiction vs. Non-Fiction
 - Determining Your Reading Goals
3. Choosing the Right eBook Platform
 - Popular eBook Platforms
 - Features to Look for in an Polaris Motor Manual
 - User-Friendly Interface
4. Exploring eBook Recommendations from Polaris Motor Manual
 - Personalized Recommendations
 - Polaris Motor Manual User Reviews and Ratings
 - Polaris Motor Manual and Bestseller Lists
5. Accessing Polaris Motor Manual Free and Paid eBooks

- Polaris Motor Manual Public Domain eBooks
 - Polaris Motor Manual eBook Subscription Services
 - Polaris Motor Manual Budget-Friendly Options
6. Navigating Polaris Motor Manual eBook Formats
 - ePub, PDF, MOBI, and More
 - Polaris Motor Manual Compatibility with Devices
 - Polaris Motor Manual Enhanced eBook Features
 7. Enhancing Your Reading Experience
 - Adjustable Fonts and Text Sizes of Polaris Motor Manual
 - Highlighting and Note-Taking Polaris Motor Manual
 - Interactive Elements Polaris Motor Manual
 8. Staying Engaged with Polaris Motor Manual
 - Joining Online Reading Communities
 - Participating in Virtual Book Clubs
 - Following Authors and Publishers Polaris Motor Manual
 9. Balancing eBooks and Physical Books Polaris Motor Manual
 - Benefits of a Digital Library
 - Creating a Diverse Reading Collection Polaris Motor Manual
 10. Overcoming Reading Challenges
 - Dealing with Digital Eye Strain
 - Minimizing Distractions
 - Managing Screen Time
 11. Cultivating a Reading Routine Polaris Motor Manual
 - Setting Reading Goals Polaris Motor Manual
 - Carving Out Dedicated Reading Time
 12. Sourcing Reliable Information of Polaris Motor Manual
 - Fact-Checking eBook Content of Polaris Motor Manual
 - Distinguishing Credible Sources
 13. Promoting Lifelong Learning
 - Utilizing eBooks for Skill Development

- Exploring Educational eBooks
14. Embracing eBook Trends
- Integration of Multimedia Elements
 - Interactive and Gamified eBooks

Polaris Motor Manual Introduction

Free PDF Books and Manuals for Download: Unlocking Knowledge at Your Fingertips In today's fast-paced digital age, obtaining valuable knowledge has become easier than ever. Thanks to the internet, a vast array of books and manuals are now available for free download in PDF format. Whether you are a student, professional, or simply an avid reader, this treasure trove of downloadable resources offers a wealth of information, conveniently accessible anytime, anywhere. The advent of online libraries and platforms dedicated to sharing knowledge has revolutionized the way we consume information. No longer confined to physical libraries or bookstores, readers can now access an extensive collection of digital books and manuals with just a few clicks. These resources, available in PDF, Microsoft Word, and PowerPoint formats, cater to a wide range of interests, including literature, technology, science, history, and much more. One notable platform where you can explore and download free Polaris Motor Manual PDF books and manuals is the internet's largest free library. Hosted online, this catalog compiles a vast assortment of documents, making it a veritable goldmine of knowledge. With its easy-to-use website interface and customizable PDF generator, this platform offers a user-friendly experience, allowing individuals to effortlessly navigate and access the information they seek. The availability of free PDF books and manuals on this platform demonstrates its commitment to democratizing education and empowering individuals with the tools needed to succeed in their chosen fields. It allows anyone, regardless of their background or financial limitations, to expand their horizons and gain insights from experts in various disciplines. One of the most significant advantages of downloading PDF books and manuals lies in their portability. Unlike physical copies, digital books can be stored and carried on a single device, such as a tablet or smartphone, saving valuable space and weight. This convenience makes it possible for readers to have their entire library at their fingertips, whether they are commuting, traveling, or simply enjoying a lazy afternoon at home. Additionally, digital files are easily searchable, enabling readers to locate specific information within seconds. With a few keystrokes, users can search for keywords, topics, or phrases, making research and finding relevant information a breeze. This efficiency saves time and effort, streamlining the learning process and allowing individuals to focus on extracting the information they need. Furthermore, the availability of free PDF books and manuals fosters a culture of continuous learning. By removing financial barriers, more people can access educational resources and pursue lifelong learning, contributing to personal growth and professional development. This democratization of knowledge promotes intellectual curiosity and empowers

individuals to become lifelong learners, promoting progress and innovation in various fields. It is worth noting that while accessing free Polaris Motor Manual PDF books and manuals is convenient and cost-effective, it is vital to respect copyright laws and intellectual property rights. Platforms offering free downloads often operate within legal boundaries, ensuring that the materials they provide are either in the public domain or authorized for distribution. By adhering to copyright laws, users can enjoy the benefits of free access to knowledge while supporting the authors and publishers who make these resources available. In conclusion, the availability of Polaris Motor Manual free PDF books and manuals for download has revolutionized the way we access and consume knowledge. With just a few clicks, individuals can explore a vast collection of resources across different disciplines, all free of charge. This accessibility empowers individuals to become lifelong learners, contributing to personal growth, professional development, and the advancement of society as a whole. So why not unlock a world of knowledge today? Start exploring the vast sea of free PDF books and manuals waiting to be discovered right at your fingertips.

FAQs About Polaris Motor Manual Books

How do I know which eBook platform is the best for me? Finding the best eBook platform depends on your reading preferences and device compatibility. Research different platforms, read user reviews, and explore their features before making a choice. Are free eBooks of good quality? Yes, many reputable platforms offer high-quality free eBooks, including classics and public domain works. However, make sure to verify the source to ensure the eBook credibility. Can I read eBooks without an eReader? Absolutely! Most eBook platforms offer webbased readers or mobile apps that allow you to read eBooks on your computer, tablet, or smartphone. How do I avoid digital eye strain while reading eBooks? To prevent digital eye strain, take regular breaks, adjust the font size and background color, and ensure proper lighting while reading eBooks. What the advantage of interactive eBooks? Interactive eBooks incorporate multimedia elements, quizzes, and activities, enhancing the reader engagement and providing a more immersive learning experience. Polaris Motor Manual is one of the best book in our library for free trial. We provide copy of Polaris Motor Manual in digital format, so the resources that you find are reliable. There are also many Ebooks of related with Polaris Motor Manual. Where to download Polaris Motor Manual online for free? Are you looking for Polaris Motor Manual PDF? This is definitely going to save you time and cash in something you should think about. If you trying to find then search around for online. Without a doubt there are numerous these available and many of them have the freedom. However without doubt you receive whatever you purchase. An alternate way to get ideas is always to check another Polaris Motor Manual. This method for see exactly what may be included and adopt these ideas to your book. This site will almost certainly help you save time and effort, money and stress. If you are

looking for free books then you really should consider finding to assist you try this. Several of Polaris Motor Manual are for sale to free while some are payable. If you arent sure if the books you would like to download works with for usage along with your computer, it is possible to download free trials. The free guides make it easy for someone to free access online library for download books to your device. You can get free download on free trial for lots of books categories. Our library is the biggest of these that have literally hundreds of thousands of different products categories represented. You will also see that there are specific sites catered to different product types or categories, brands or niches related with Polaris Motor Manual. So depending on what exactly you are searching, you will be able to choose e books to suit your own need. Need to access completely for Campbell Biology Seventh Edition book? Access Ebook without any digging. And by having access to our ebook online or by storing it on your computer, you have convenient answers with Polaris Motor Manual To get started finding Polaris Motor Manual, you are right to find our website which has a comprehensive collection of books online. Our library is the biggest of these that have literally hundreds of thousands of different products represented. You will also see that there are specific sites catered to different categories or niches related with Polaris Motor Manual So depending on what exactly you are searching, you will be able to choose ebook to suit your own need. Thank you for reading Polaris Motor Manual. Maybe you have knowledge that, people have search numerous times for their favorite readings like this Polaris Motor Manual, but end up in harmful downloads. Rather than reading a good book with a cup of coffee in the afternoon, instead they juggled with some harmful bugs inside their laptop. Polaris Motor Manual is available in our book collection an online access to it is set as public so you can download it instantly. Our digital library spans in multiple locations, allowing you to get the most less latency time to download any of our books like this one. Merely said, Polaris Motor Manual is universally compatible with any devices to read.

Find Polaris Motor Manual :

repair manual kenmore dryer 110

[repair manual mercedes c class 2005](#)

repair manual opel corsa 1994

repair manual yz 250 1981

repair manual sony icf sw20 fm mw sw 9band receiver

repair manual for yfm350fw big bear 4x4

[repair manual for stihl 12 av](#)

[repair manual sharp 29wf200 29wf500 colour television](#)

repair manual for janome sewing machine

[repair manual on 2004 suzuki forenza](#)

[repair manual nissan frontier 2015](#)

[repair manual new holl tc18](#)

[repair manual ktm](#)

repair of extensor capri cpt code

[repairs manual for 6430 john deere tractors](#)

Polaris Motor Manual :

[beechcraft baron 58 pilot operating handbook manualslib](#) - Oct 10 2023

web view and download beechcraft baron 58 pilot operating handbook online baron 58 aircrafts pdf manual download also for baron 58a

beechcraft baron g58 pilot operating handbook manualslib - Aug 08 2023

web view and download beechcraft baron g58 pilot operating handbook online serials th 2125 and after baron g58 aircrafts pdf manual download

beech baron 58 pdf takeoff flap aeronautics scribd - Mar 03 2023

web beechcraft beech baron 58 microsoft flightsimulator 2004 checklists and other sim real aviation items available to download at page 1 and pre start checklist parking brakes throttle magneto and engine start switches battery and alternator switches fuel pump switches avionics landing gear lever cowl flaps flaps propeller fuel flow mixture

beechcraft baron wikipedia - Jun 25 2022

web introduced for the model year 1969 the larger more powerful baron 58 was developed from the baron 55 with an increased gross weight of 5 400 lbs depending on the variant the baron 58 is fitted with either continental io 520 or io 550 300 hp engine the baron 58 can cruise at 200 knots 370 km h at 7000 ft 2100 m

baron performance - Mar 23 2022

web performance calculator for beechcraft baron aircraft

[x plane 11](#) - Jun 06 2023

web the model 58 was introduced in 1969 a larger more powerful variant of the model 55 the new aircraft incorporated club seating double aft baggage doors and a gross weight of 5 400 lbs two engine options currently applied at the time the continental io 520 285 hp or continental io 550 300 hp

[be58 poh pdf redcliffe aero club](#) - Sep 09 2023

web dec 24 2015 be58 poh pdf december 24 2015 in aircraft documents by admin 1 0 0 version 9042 download 8 98 mb file

size 1 file count december 24 2015 create date may 17 2016 last updated download

g58 poh pdf aerospace aerospace engineering scribd - Jul 07 2023

web g58 poh free ebook download as pdf file pdf text file txt or read book online for free beechcraft baron poh

raytheon beech baron 58p maintenance manual pdf - Jul 27 2022

web view and download raytheon beech baron 58p maintenance manual online beech baron 58p aircrafts pdf manual

download also for beech baron 58pa beech baron 58tc beech baron 58ca

beechcraft baron 58 lr checklist x plane org forum - Sep 28 2022

web nov 2 2020 this is a checklist for the default laminar research baron 58 most datarefs are in for copilot following for the most part standard poh comments appreciated still working on some flows

black square be58 baron microsoft flight simulator forums - May 25 2022

web aug 18 2023 loving the new black square upgrade to the asobo be58 beech baron however in striving to fly as close to reality as possible we have been researching the elevator trim setting particularly for take off

beech 58 baron all aero com - Jan 01 2023

web at 25 000 feet the baron s service ceiling the cabin is a comfortable 11 900 feet the baron s range is increased by as much as 253 miles with optional wet wing tips added to the existing fuel cell system the baron 58 s capacity will be increased by 28 gallons and the 58p and 58tc by 24 gallons with the addition of the wet wing tips

beech 58p 58pa poh pilot s operating handbook 102 590000 31 - Apr 23 2022

web beech 58p 58pa poh pilot s operating handbook 102 590000 31 by beech 22 00 sku 30256 r tj 46 tj 55 tj 83 tj 85 thru tj 168 size quantity add to cart object object

beech 58p 58pa poh pilot s operating handbook part 102 - Aug 28 2022

web this pilot s operating handbook for the beech baron 58p and 58pa is a valuable supplement to your aircraft s faa approved pilot s operating handbook tj 46 tj 55 tj 83 tj 85 thru tj 168over the years we ve had more requests for aircraft flight manuals than any other product

user manuals x plane - May 05 2023

web airbus a330 300 poh pdf beechcraft baron 58 poh pdf beechcraft king air c90b poh pdf boeing 737 800 pdf boeing 747 400 poh pdf cessna 172 sp poh pdf cessna citation x pdf cirrus sr 22 poh pdf cirrus vision sf50 poh pdf lancair evolution pdf mcdonnell douglas md 82 pdf piper pa 18 super cub pdf

beech baron 58p pilots operating handbook p n 102 590000 - Feb 19 2022

web beech baron 58 nose wheel steering rod assy p n 96 820014 0716 66 beech baron 58 nose gear link p n 35 821173 2

0716 67 beech sierra flap motor actuator 12vdc p n pv2313q 0116 212 hauptinhalt anzeigen stöbern in kategorien stöbern in

kategorien geben sie ihren suchbegriff ein

[1976 beechcraft baron e55 poh flight school of greenville](#) - Oct 30 2022

web 1976 beechcraft baron e55 poh 1 introduction 2 limitations 3 normal procedures 4 emergency procedures

beech baron 58 58a poh afm p n 58 590000 21a13 - Apr 04 2023

web baron 58 th 773and after pilot soperating handbook and faa approved airplane flight manual a8 march 1983 log of revisions pages description title page update pagea a8 new a b revise introduction and add warning 1 4 1 4a 1 4b revise note and shfit material 1 5 1 6 2 27 2 28 revise placards 3 1 3 2

csobeech com beechcraft operating ownership tips blog - Feb 02 2023

web learn how to operate the beechcraft baron 58p with this comprehensive and detailed operations manual in pdf format download it for free from csobeech com

[beechcraft baron g58 piston textron aviation](#) - Nov 30 2022

web the baron g58 piston is the perfect balance of horsepower combined with peace of mind twin engine redundancy and security with seating for six large cargo doors and two baggage compartments the baron g58 piston offers great flexibility for both business and pleasure need financing strong partnerships create convenient solutions

story in the stars discovering god s design and p pdf election - Oct 26 2022

web story in the stars discovering god s design and p 2010 05 20 5 9 story in the stars discovering god s design and p 5 steps for discovering god s will for your life

story in the stars discovering god s design and plan for our - Aug 04 2023

web an in depth look at the powerful story and symbolism behind god s unique design of our universe thousands of words have been written about the first ten words in the bible in

[story in the stars discovering god s design and p pdf](#) - Jun 02 2023

web oct 2 2023 discovering god s story standard publishing 2010 the bible appears to be a book of many great stories but it is actually one story the divinely woven account of

story in the stars discovering god s design and p download - Feb 27 2023

web enter the realm of story in the stars discovering god s design and p a mesmerizing literary masterpiece penned with a distinguished author guiding readers on a profound

story in the stars discovering god s design and p uniport edu - Dec 16 2021

web oct 5 2023 story in the stars discovering god s design and p 1 11 downloaded from uniport edu ng on october 5 2023 by guest story in the stars discovering god s

story in the stars discovering god s design and p download - Jan 29 2023

web less latency period to download any of our books considering this one merely said the story in the stars discovering god s design and p is universally compatible like any

story in the stars discovering god s design and p copy - Dec 28 2022

web discovering god in the most unexpected place hollywood finding god in hollywood is the story of a millennial who moved to hollywood with jesus in his heart and stars in his

story in the stars discovering god s design and p pamela - Jul 03 2023

web story in the stars discovering god s design and p right here we have countless book story in the stars discovering god s design and p and collections to check out we

story in the stars discovering god s design and p uniport edu - Apr 19 2022

web discovering god s story standard publishing 2010 the bible appears to be a book of many great stories but it is actually one story the divinely woven account of god s plan

story in the stars discovering god s design and p 2022 - May 21 2022

web 2 story in the stars discovering god s design and p 2023 05 16 gatekeeper press what if the good news of the gospel is better richer and more beautiful than we

story in the stars discovering god s design and p zora neale - May 01 2023

web we give story in the stars discovering god s design and p and numerous ebook collections from fictions to scientific research in any way in the course of them is this

story in the stars discovering god s design and p uniport edu - Jan 17 2022

web sep 22 2023 story in the stars discovering god s design and p 1 13 downloaded from uniport edu ng on september 22 2023 by guest story in the stars discovering god s

story in the stars discovering god s design and p old syndeohro - Mar 31 2023

web story in the stars discovering god s design and p 1 story in the stars discovering god s design and p the one year book of discovering jesus in the old testament

story in the stars discovering god s design and p 2023 - Feb 15 2022

web story in the stars discovering god s design and p 3 3 created them he was captured by both the parables of jesus and the movies on his television screen but it seemed that

story in the stars discovering god s design and p - Jul 23 2022

web story in the stars discovering god s design and p downloaded from cybersmash io by guest jacobs aniyah a child s introduction to the night sky

story in the stars discovering god s design and plan f - Oct 06 2023

web oct 30 2018 story in the stars takes an in depth look at the bible and all the signs god mapped out through constellations planets and even the way the earth is tilted we are

story in the stars discovering god s design and p pdf - Nov 26 2022

web our bodies tell god s story god will make a way stories of your life and others star tales the one year book of discovering jesus in the old testament the gospel story

story in the stars discovering god s design and p - Sep 24 2022

web story in the stars miss leavitt s stars the untold story of the woman who discovered how to measure the universe great discoveries the stuff between the stars

story in the stars discovering god s design and p - Jun 21 2022

web story in the stars discovering god s design and p 3 3 annual feasts and why they are important to modern christianity jewish customs such as foot washing clean and

story in the stars discovering god s design and plan - Sep 05 2023

web why did he design images with stars in the night sky story in the stars takes an in depth look at the bible and all the signs god mapped out through constellations planets and

story in the stars discovering god s design and p uniport edu - Mar 19 2022

web oct 10 2023 story in the stars discovering god s design and p 1 10 downloaded from uniport edu ng on october 10 2023 by guest story in the stars discovering god s

story in the stars discovering god s design and p uniport edu - Aug 24 2022

web sep 26 2023 in the stars discovering god s design and p what you when to read counted with the stars out from egypt book 1 connilyn cossette 2016 04 05 a

story in the stars discovering god s design and p uniport edu - Nov 14 2021

web oct 4 2023 story in the stars discovering god s design and p 2 8 downloaded from uniport edu ng on october 4 2023 by guest the witness of the stars ethelbert william

la petite goutte d eau cd rom broché 26 juin 2014 - Aug 15 2023

web un album sans texte pour susciter le goût d écrire apprendre à construire des récits et devenir auteur de l histoire À travers sa structure répétitive cet album poétique sans texte raconte l histoire d une petite goutte d eau sans cesse poussée par le vent

la petite goutte d eau le blog de chat noir - Dec 27 2021

web jan 22 2017 en janvier février 2016 j ai exploité cet album sans texte édité chez retz accompagné d un fichier et d un cd sur un sujet transdisciplinaire qui nous permet d aborder le cycle de l eau la petite goutte d eau traverse des pays et des

continents la structure du récit est celle d'une histoire en randonnée et le guide

histoires a ecrire la petite goutte d eau cp ce1 - Apr 30 2022

web jul 20 2020 histoires a ecrire la petite goutte d eau cp ce1 bouteville de pieri auteur principal livre format livre editeur retz date de parution 20 07 2020

la petite goutte d eau cd rom téléchargement goodreads - Feb 26 2022

web la petite goutte d eau cd rom téléchargement elsa bouteville eleonora de pieri illustrator 0 00 0

la petite goutte d eau cd rom téléchargement amazon de - Sep 04 2022

web la petite goutte d eau cd rom téléchargement bouteville elsa de pieri eleonora amazon de bücher

la petite goutte d eau cd rom téléchargement - Dec 07 2022

web jul 20 2020 fnac livre avec 1 cd rom la petite goutte d eau cd rom téléchargement elsa bouteville eleonora de pieri retz eds livraison chez vous ou en magasin et 5 sur tous les livres achetez neuf ou d occasion

la petite goutte d eau cd rom librairie eyrolles - Jul 02 2022

web un album sans texte pour susciter le goût d'écrire apprendre à construire des récits et devenir auteur de l'histoire À travers sa structure répétitive cet album poétique sans texte raconte l'histoire d'une petite goutte

la petite goutte d eau cd rom téléchargement paperback - Mar 30 2022

web buy la petite goutte d eau cd rom téléchargement by online on amazon ae at best prices fast and free shipping free returns cash on delivery available on eligible purchase

la petite goutte d eau cd rom téléchargement amazon de - Feb 09 2023

web la petite goutte d eau cd rom téléchargement bouteville elsa de pieri eleonora amazon de books

la petite goutte d eau cd rom elsa bouteville - Aug 03 2022

web la petite goutte d eau cd rom par elsa bouteville eleonora de pieri illustrations 61 broché 24 pages paru le 26 juin 2014 chez retz classé n des ventes sur amazon fr collection histoires à écrire prix éditeur 25 90 isbn 13 9782725633084

dimensions 24 1 x 31 8 x 1 0 cm poids 593 grammes Évolution du prix vendre offres

la petite goutte d eau cd rom french edition bouteville - Jul 14 2023

web jun 26 2014 À travers sa structure répétitive cet album poétique sans texte raconte l'histoire d'une petite goutte d'eau sans cesse poussée par le vent au cours de son voyage elle va découvrir paris l'Afrique la Chine le pôle nord et New York

la petite goutte d eau cp ce1 ressources numériques - May 12 2023

web À travers sa structure répétitive cet album poétique sans texte raconte l'histoire d'une petite goutte d'eau sans cesse poussée par le vent au cours de son voyage elle va découvrir paris l'Afrique la Chine le pôle nord et New York

la petite goutte d eau cd rom bouteville librairie la page - Jun 01 2022

web découvrez la petite goutte d eau cd rom de bouteville sur librairiela.com 0 connexion 0 mon panier cliquez ici cliquez ici pour vos achats de livres en anglais retrouvez nous sur bookshop.org le site des libraires indépendants du royaume uni une bonne alternative à amazon pour vos livres

la petite goutte d eau cd rom e leclerc - Jan 28 2022

web jul 20 2020 la petite goutte d eau cd rom téléchargement cartonné achat en ligne au meilleur prix sur e leclerc retrait gratuit dans de 700 magasins

la petite goutte d eau cd rom téléchargement paperback - Nov 06 2022

web jul 20 2020 buy la petite goutte d eau cd rom téléchargement by bouteville elsa de pieri eleonora isbn 9782725639901 from amazon s book store everyday low prices and free delivery on eligible orders

la petite goutte d eau cd rom téléchargement fnac - Jan 08 2023

web jul 20 2020 un album sans texte pour susciter le goût d écrire apprendre à construire des récits et devenir auteur de l histoire À travers sa structure répétitive cet album poétique sans texte raconte l histoire d une petite goutte d eau sans cesse poussée par le vent

la petite goutte d eau cd rom telechargement pichon - Mar 10 2023

web À travers sa structure répétitive cet album poétique sans texte raconte l histoire d une petite goutte d eau sans cesse poussée par le vent au cours de son voyage elle va découvrir paris l afrique la chine le pôle nord et new york la démarche proposée autour de l album s articule en quatre temps

la petite goutte d eau cd rom téléchargement bouteville - Oct 05 2022

web la petite goutte d eau cd rom téléchargement bouteville elsa on amazon com au free shipping on eligible orders la petite goutte d eau cd rom téléchargement

la petite goutte d eau cd rom téléchargement bouteville - Apr 11 2023

web jul 20 2020 la petite goutte d eau cd rom téléchargement bouteville elsa de pieri eleonora on amazon com free shipping on qualifying offers la petite goutte d eau cd rom téléchargement

la petite goutte d eau cd rom téléchargement open library - Jun 13 2023

web jul 20 2020 la petite goutte d eau cd rom téléchargement by elsa bouteville eleonora de pieri jul 20 2020 retz edition paperback la petite goutte d eau cd