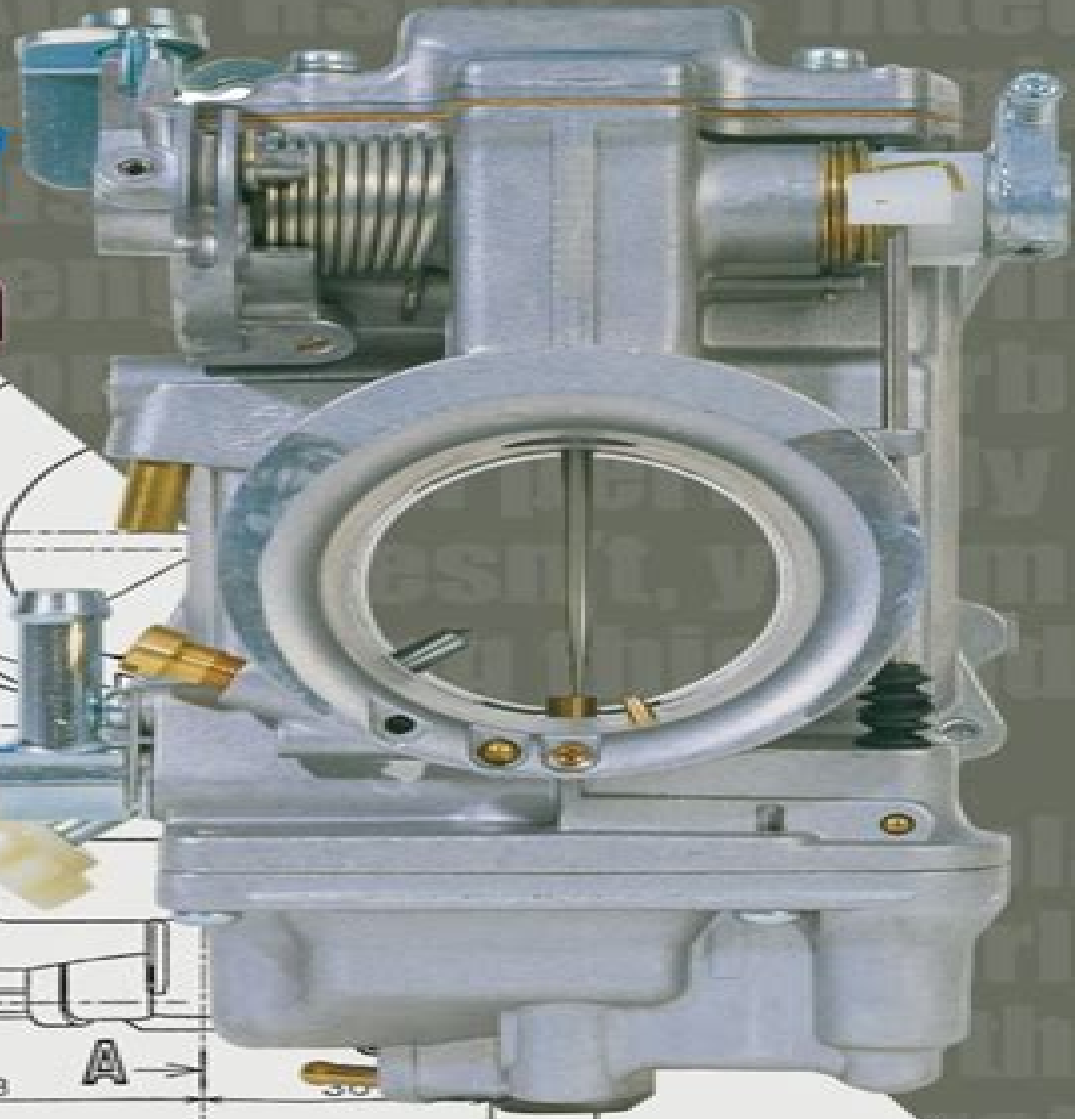


# SUZUKI



## 5th Edition Tuning Manual



**RS VM HSR TM TMX HS BN**

NOTE

# Sudco Tuning Manual For Vm34

**KJ Lindholm-Leary**



## **Sudco Tuning Manual For Vm34:**

Thank you completely much for downloading **Sudco Tuning Manual For Vm34**. Maybe you have knowledge that, people have seen numerous times for their favorite books next to this Sudco Tuning Manual For Vm34, but stop going on in harmful downloads.

Rather than enjoying a good book later a cup of coffee in the afternoon, instead they juggled in the same way as some harmful virus inside their computer. **Sudco Tuning Manual For Vm34** is to hand in our digital library an online admission to it is set as public for that reason you can download it instantly. Our digital library saves in complex countries, allowing you to acquire the most less latency times to download any of our books in the manner of this one. Merely said, the Sudco Tuning Manual For Vm34 is universally compatible subsequent to any devices to read.

[https://letsgetcooking.org.uk/files/scholarship/Download\\_PDFS/pogil\\_solubility\\_curve\\_answer\\_key.pdf](https://letsgetcooking.org.uk/files/scholarship/Download_PDFS/pogil_solubility_curve_answer_key.pdf)

## **Table of Contents Sudco Tuning Manual For Vm34**

1. Understanding the eBook Sudco Tuning Manual For Vm34
  - The Rise of Digital Reading Sudco Tuning Manual For Vm34
  - Advantages of eBooks Over Traditional Books
2. Identifying Sudco Tuning Manual For Vm34
  - Exploring Different Genres
  - Considering Fiction vs. Non-Fiction
  - Determining Your Reading Goals
3. Choosing the Right eBook Platform
  - Popular eBook Platforms
  - Features to Look for in an Sudco Tuning Manual For Vm34
  - User-Friendly Interface
4. Exploring eBook Recommendations from Sudco Tuning Manual For Vm34
  - Personalized Recommendations
  - Sudco Tuning Manual For Vm34 User Reviews and Ratings

- Sudco Tuning Manual For Vm34 and Bestseller Lists
- 5. Accessing Sudco Tuning Manual For Vm34 Free and Paid eBooks
  - Sudco Tuning Manual For Vm34 Public Domain eBooks
  - Sudco Tuning Manual For Vm34 eBook Subscription Services
  - Sudco Tuning Manual For Vm34 Budget-Friendly Options
- 6. Navigating Sudco Tuning Manual For Vm34 eBook Formats
  - ePub, PDF, MOBI, and More
  - Sudco Tuning Manual For Vm34 Compatibility with Devices
  - Sudco Tuning Manual For Vm34 Enhanced eBook Features
- 7. Enhancing Your Reading Experience
  - Adjustable Fonts and Text Sizes of Sudco Tuning Manual For Vm34
  - Highlighting and Note-Taking Sudco Tuning Manual For Vm34
  - Interactive Elements Sudco Tuning Manual For Vm34
- 8. Staying Engaged with Sudco Tuning Manual For Vm34
  - Joining Online Reading Communities
  - Participating in Virtual Book Clubs
  - Following Authors and Publishers Sudco Tuning Manual For Vm34
- 9. Balancing eBooks and Physical Books Sudco Tuning Manual For Vm34
  - Benefits of a Digital Library
  - Creating a Diverse Reading Collection Sudco Tuning Manual For Vm34
- 10. Overcoming Reading Challenges
  - Dealing with Digital Eye Strain
  - Minimizing Distractions
  - Managing Screen Time
- 11. Cultivating a Reading Routine Sudco Tuning Manual For Vm34
  - Setting Reading Goals Sudco Tuning Manual For Vm34
  - Carving Out Dedicated Reading Time
- 12. Sourcing Reliable Information of Sudco Tuning Manual For Vm34
  - Fact-Checking eBook Content of Sudco Tuning Manual For Vm34
  - Distinguishing Credible Sources

13. Promoting Lifelong Learning
  - Utilizing eBooks for Skill Development
  - Exploring Educational eBooks
14. Embracing eBook Trends
  - Integration of Multimedia Elements
  - Interactive and Gamified eBooks

### **Sudco Tuning Manual For Vm34 Introduction**

In this digital age, the convenience of accessing information at our fingertips has become a necessity. Whether its research papers, eBooks, or user manuals, PDF files have become the preferred format for sharing and reading documents. However, the cost associated with purchasing PDF files can sometimes be a barrier for many individuals and organizations. Thankfully, there are numerous websites and platforms that allow users to download free PDF files legally. In this article, we will explore some of the best platforms to download free PDFs. One of the most popular platforms to download free PDF files is Project Gutenberg. This online library offers over 60,000 free eBooks that are in the public domain. From classic literature to historical documents, Project Gutenberg provides a wide range of PDF files that can be downloaded and enjoyed on various devices. The website is user-friendly and allows users to search for specific titles or browse through different categories. Another reliable platform for downloading Sudco Tuning Manual For Vm34 free PDF files is Open Library. With its vast collection of over 1 million eBooks, Open Library has something for every reader. The website offers a seamless experience by providing options to borrow or download PDF files. Users simply need to create a free account to access this treasure trove of knowledge. Open Library also allows users to contribute by uploading and sharing their own PDF files, making it a collaborative platform for book enthusiasts. For those interested in academic resources, there are websites dedicated to providing free PDFs of research papers and scientific articles. One such website is Academia.edu, which allows researchers and scholars to share their work with a global audience. Users can download PDF files of research papers, theses, and dissertations covering a wide range of subjects. Academia.edu also provides a platform for discussions and networking within the academic community. When it comes to downloading Sudco Tuning Manual For Vm34 free PDF files of magazines, brochures, and catalogs, Issuu is a popular choice. This digital publishing platform hosts a vast collection of publications from around the world. Users can search for specific titles or explore various categories and genres. Issuu offers a seamless reading experience with its user-friendly interface and allows users to download PDF files for offline reading. Apart from dedicated platforms, search engines also play a crucial role in finding free PDF files. Google, for instance, has an advanced search feature that allows users to filter results by file type. By specifying the file type as "PDF," users can find websites that

offer free PDF downloads on a specific topic. While downloading Sudco Tuning Manual For Vm34 free PDF files is convenient, its important to note that copyright laws must be respected. Always ensure that the PDF files you download are legally available for free. Many authors and publishers voluntarily provide free PDF versions of their work, but its essential to be cautious and verify the authenticity of the source before downloading Sudco Tuning Manual For Vm34. In conclusion, the internet offers numerous platforms and websites that allow users to download free PDF files legally. Whether its classic literature, research papers, or magazines, there is something for everyone. The platforms mentioned in this article, such as Project Gutenberg, Open Library, Academia.edu, and Issuu, provide access to a vast collection of PDF files. However, users should always be cautious and verify the legality of the source before downloading Sudco Tuning Manual For Vm34 any PDF files. With these platforms, the world of PDF downloads is just a click away.

## **FAQs About Sudco Tuning Manual For Vm34 Books**

1. Where can I buy Sudco Tuning Manual For Vm34 books? Bookstores: Physical bookstores like Barnes & Noble, Waterstones, and independent local stores. Online Retailers: Amazon, Book Depository, and various online bookstores offer a wide range of books in physical and digital formats.
2. What are the different book formats available? Hardcover: Sturdy and durable, usually more expensive. Paperback: Cheaper, lighter, and more portable than hardcovers. E-books: Digital books available for e-readers like Kindle or software like Apple Books, Kindle, and Google Play Books.
3. How do I choose a Sudco Tuning Manual For Vm34 book to read? Genres: Consider the genre you enjoy (fiction, non-fiction, mystery, sci-fi, etc.). Recommendations: Ask friends, join book clubs, or explore online reviews and recommendations. Author: If you like a particular author, you might enjoy more of their work.
4. How do I take care of Sudco Tuning Manual For Vm34 books? Storage: Keep them away from direct sunlight and in a dry environment. Handling: Avoid folding pages, use bookmarks, and handle them with clean hands. Cleaning: Gently dust the covers and pages occasionally.
5. Can I borrow books without buying them? Public Libraries: Local libraries offer a wide range of books for borrowing. Book Swaps: Community book exchanges or online platforms where people exchange books.
6. How can I track my reading progress or manage my book collection? Book Tracking Apps: Goodreads, LibraryThing, and Book Catalogue are popular apps for tracking your reading progress and managing book collections. Spreadsheets: You can create your own spreadsheet to track books read, ratings, and other details.

7. What are Sudco Tuning Manual For Vm34 audiobooks, and where can I find them? Audiobooks: Audio recordings of books, perfect for listening while commuting or multitasking. Platforms: Audible, LibriVox, and Google Play Books offer a wide selection of audiobooks.
8. How do I support authors or the book industry? Buy Books: Purchase books from authors or independent bookstores. Reviews: Leave reviews on platforms like Goodreads or Amazon. Promotion: Share your favorite books on social media or recommend them to friends.
9. Are there book clubs or reading communities I can join? Local Clubs: Check for local book clubs in libraries or community centers. Online Communities: Platforms like Goodreads have virtual book clubs and discussion groups.
10. Can I read Sudco Tuning Manual For Vm34 books for free? Public Domain Books: Many classic books are available for free as they're in the public domain. Free E-books: Some websites offer free e-books legally, like Project Gutenberg or Open Library.

### Find Sudco Tuning Manual For Vm34 :

~~pogil solubility curve answer key~~

**pogil cell size answer key biology**

*pokemon black guide book amazon*

**polaris 3explorer 4x4 manual**

**polaris 2008 sportsman 500 service manual**

pogil activities for high school chemistry key

pogil scientific inquiry answers

*poetic devices pretest answers*

**polar f6 owner's manual**

poetry and figurative language paper

*polaris 2015 pro x 440 service manual*

*polaris 20sportsman 4service manual*

**pogil activities for ap biology answers photosynthesis**

polaris atv sport 1994 1995 service repair workshop manual

*pokemon the visual guide*



**Sudco Tuning Manual For Vm34 :****les turcs seldjoukides d anatolie du xie au xive siècle une** - Jun 03 2022

web aug 1 2023 les turcs seldjoukides d anatolie du xie au xive siècle les turcs seldjoukides d anatolie xie xive siècle jean paul roux les grands seldjoukides clio les turcs ont ils pris et occupe de force les terres des les seldjoukides et la conquete de l anatolie les turcs seldjoukides d anatolie xie xive siècle

**seldjoukides les seldjoukides d anatolie encyclopædia** - Apr 01 2022

web encyclopædia universalis france la dynastie des seldjoukides d anatolie ou d asie mineure ou de roum fut la plus longue et la plus brillante de toutes les dynasties seldjoukides fondée vers 1081 elle ne disparut que dans les premières années du xiv e siècle mais en fait elle avait perdu la plus grande partie de sa puissance depuis

les turcs seldjoukides d anatolie xie xive siècle vol 1 les - May 14 2023

web la civilisation des seldjoukides de culture persane dirigée par une oligarchie militaire turque qui régnait sur une population largement grecque arménienne syriaque et kurde s est épanouie du xie au xive siècle de notre ère en asie mineure ancienne province pivot de l empire byzantin laquelle devint ainsi la première

*les turcs seldjoukides d anatolie xie xive siècle vol 1 les* - Nov 08 2022

web les turcs seldjoukides d anatolie xie xive siècle vol 1 les sources persanes ibn bîbî introduction presses universitaires de provence l histoire des seldjoukides d ibn bîbî introduction herbert w duda p 63 74 texte notes auteur texte intégral

les turcs seldjoukides d anatolie xie xive siècle vol 1 les - Aug 05 2022

web les turcs seldjoukides d anatolie xi e xiv e siècle vol 1 les sources persanes ibn bîbî une anthologie des sources premières nouvelle édition en ligne aix en provence presses universitaires de provence 2017 généré le 29 août 2023 disponible sur internet books openedition org pup 44570 isbn 9791036577291

les turcs seldjoukides d anatolie xie xive siècle vol 1 les - Jan 10 2023

web l ouvrage ici présenté qui comprendra deux volumes a pour objectif de mettre à la portée d un public cultivé un certain nombre d extraits des principales sources concernant l État turc des seldjoukides d anatolie cette civilisation de culture persane dirigée par une oligarchie militaire turque qui régnait sur une

**les turcs seljoukides d anatolie du xie au xive siècle une** - Jan 30 2022

web achetez le livre les turcs seljoukides d anatolie du xie au xive siècle une anthologie des sources premières vol de Éditeur presses universitaires de provence sur lire demain sur lire demain fr 9 de remise sur tout le catalogue paiement par mandat administratif littérature jeunesse établissements scolaires

**les turcs seldjoukides d anatolie xie xive siècle une anthologie des** - Mar 12 2023

web cette traduction est précédée d une présentation du contexte historique et culturel de l anatolie turque des xi e xiii e

siècles avec une bibliographie très détaillée et récente sur le monde seldjoukide d asie mineure ainsi que des cartes et des généalogies les notes et la bibliographie de duda complétée ou le cas

[les turcs seldjoukides d anatolie du xie au xive pdf 2023](#) - Dec 29 2021

web les turcs seldjoukides d anatolie xie xive siècle vol 1 les sources persanes ibn bîbî collectif 2021 10 15 la civilisation des seldjoukides de culture persane dirigée par une oligarchie militaire turque qui régnait sur une population largement grecque arménienne syriaque et kurde s est épanouie du xie au xive siècle de

[les turcs seldjoukides d anatolie du xie au xive siècle fnac](#) - Jul 04 2022

web feb 17 2017 les turcs seldjoukides d anatolie du xie au xive siècle format broché broché 25 ebook epub 9 99 résumé voir tout cette étude concerne une chronique en langue persane qui décrit l histoire du sultanat turc seldjoukide d anatolie au xiiiè siècle

[les turcs des seldjoukides aux ottomans herodote net](#) - Feb 28 2022

web les turcs seldjoukides s emparent de l arménie et remportent une écrasante victoire sur l empereur byzantin à malazgerd ou manzikert en 1071 sur les territoires enlevés aux grecs ils fondent le sultanat de roum ce nom est une déformation du mot romains car le sultanat s est constitué aux dépens de l empire romain d orient

[les turcs seldjoukides d anatolie xie xive siècle](#) - Dec 09 2022

web sur cette turquie pré ottomane la source persane la plus étoffée est l ouvrage d ibn bîbî qui couvre la période de l apogée puis de la décadence du sultanat seldjoukide fin xiie début xive siècle le présent ouvrage contient de larges extraits de cet auteur

**parution les turcs seldjoukides d anatolie xie xive siècle une** - Jul 16 2023

web mar 3 2017 cette traduction est précédée d une présentation du contexte historique et culturel de l anatolie turque des xie xiiiè siècles avec une bibliographie très détaillée et récente sur le monde seldjoukide d asie mineure ainsi que des cartes et des généalogies

[les turcs seldjoukides d anatolie xie xive siècle openedition](#) - Aug 17 2023

web may 15 2017 la civilisation des seldjoukides de culture persane dirigée par une oligarchie militaire turque qui régnait sur une population largement grecque arménienne syriaque et kurde s est épanouie du xième au xivème siècle de notre ère en asie mineure ancienne province pivot de l empire byzantin laquelle devint ainsi la première turquie

[les turcs seldjoukides d anatolie xie xive siècle vol 1 les](#) - Apr 13 2023

web cartes in les turcs seldjoukides d anatolie xi e xiv e siècle vol 1 les sources persanes ibn bîbî une anthologie des sources premières en ligne aix en provence presses universitaires de provence 2017 généré le 03 septembre 2023 disponible sur internet books openedition org pup 44650 isbn 9791036577291

**les turcs seldjoukides d anatolie xie xive siècle vol 1 les** - Feb 11 2023

web texte intégral sur l origine des seldjoukides de rûm et leur développement en monde non anatolien on se reportera à la bibliographie du chapitre concernant les seldjoukides de la cambridge history of islam et la cambridge history of iran qui y sont cités consulter aussi les articles thématiques concernant l anatolie dans l

**les turcs seldjoukides d anatolie xie xive siècle vol 1 les** - Jun 15 2023

web xi xiii siècle v vii hégire vue générale et périodisation 1 en pénétrant en anatolie au milieu du xie ve siècle les seldjoukides après leur émergence et leur essor en monde irano arabe entrent dans le domaine traditionnel de la romanité orientale autrement dit de l empire byzantin

les turcs seldjoukides d anatolie du xie au xive - Sep 06 2022

web xive les turcs seldjoukides d anatolie xie xive siècle vol 1 les sources persanes ibn bîbî feb 21 2023 la civilisation des seldjoukides de culture persane dirigée par une oligarchie militaire turque qui régnait sur une population largement grecque arménienne syriaque et kurde s est épanouie du xie au xive siècle de notre

*les turcs seldjoukides d anatolie du xie au xive de michel balivet* - May 02 2022

web feb 16 2017 les turcs seldjoukides d anatolie du xie au xive siècle une anthologie des sources premières volume 1 les sources persanes ibn bîbî de michel balivet collection le temps de l histoire livraison gratuite à 0 01 dès 35 d achat librairie decitre votre prochain livre est là

*les turcs seldjoukides d anatolie du xie au xive 2023* - Oct 07 2022

web xive romano turcica aug 30 2020 les turcs seldjoukides d anatolie du xie au xive siècle aug 03 2023 cette étude concerne une chronique en langue persane qui décrit l histoire du sultanat turc seldjoukide d anatolie au xiiiie siècle l auteur ibn bîbî relate en détail l histoire événementielle de cet etat turc qui vit au cours des

*a kindergarten teacher s review of houghton mifflin harcourt s journeys* - Jul 27 2022

web jan 5 2014 our team found houghton mifflin harcourt to be the most aligned with the common core standards it requires children to use higher ordered thinking journeys is very challenging for the students we found some of the other reading series to be watered down common core standards rating 5

*results for harcourt journeys kindergarten tpt* - May 05 2023

web journeys kindergarten high frequency word wall cards this download is for kindergarten high frequency words that are a part of the houghton mifflin harcourt journeys 2013 florida common core edition when you download this product you will receive 94 high frequency word cards which are approximately 1 tall by 2 wide

*journeys harcourt kindergarten reading series tpt* - Apr 04 2023

web 5 0 4 3 50 pdf this pack is a set of 30 weeks of sight word practice using the sight words found in the 2014 kindergarten

journeys reading series by houghton mifflin harcourt for each lesson there is a sight word bingo printable that includes 24 ways to practice sight words and a free space the printables are clearly marked with the [reading horizons discovery](#) - Sep 28 2022

web 6 2014 eadin orizons introduction rhd practice and enrichment pages are found on the reading horizons webpage rhacelerate.com the format will be as follows journeys reading horizons discovery implementation of two programs a listing of the most common words in the reading horizons discovery method follow the correlation [discovery sequence journeys reading horizons](#) - Jun 25 2022

web houghton mifflin harcourt journeys kindergarten lessons are contained in the teacher edition there are six units teacher edition each unit contains lessons one lesson per week 5 days of specific skills [journeys 2017 edreports](#) - Jun 06 2023

web journeys materials for kindergarten grade 1 and grade 2 do not meet expectations for alignment materials partially meet the expectations for gateway 1 materials provide support for foundational skills development directly teaching skills to build reading although systematic and explicit instruction in practice is inconsistent

[journeys resources richland teachers](#) - Mar 23 2022

web journeys grade level resources think central think central houghton mifflin journeys resources for all grades click evaluator to view materials kindergarten des moines public schools great teacher created resources 1st grade new holstein school district online textbook resources

[journeys vocabularyspellingcity](#) - Mar 03 2023

web journeys guided comprehensive reading program provides educators with materials for k 5 english language arts instruction vocabularyspellingcity has transformed these vocabulary lists into an interactive audio visual tool please be advised that vocabularyspellingcity only uses the actual vocabulary words contained in houghton

**results for houghton mifflin harcourt readers for kindergarten** - Nov 30 2022

web this is a bundle of 30 take home books focusing on the high frequency words in each lesson of the houghton mifflin harcourt kindergarten journeys 2017 series simply photocopy the readers double sided staple down the left and use your paper cutter to cut between the top and bottom halves students color in the pictures and trace the high frequency words

**free kindergarten learning activities houghton mifflin harcourt** - Sep 09 2023

web dec 7 2020 bring learning to life for your youngest learners with our free kindergarten learning activities for in person and remote classrooms our collection of reading math and science resources offer much more than worksheets to keep little ones engaged while sharpening their skills they also include student videos opportunities for family support

**journeys evidence for essa** - Oct 30 2022

web houghton mifflin harcourt journeys is a comprehensive reading and language arts program designed for kindergarten to 6th grade but it has only been evaluated in grades k 2 journeys can be implemented using only print resources or a combination of print and digital resources student and teacher digital materials can be accessed on desktop

**houghton mifflin harcourt journeys practice book grade 5** - May 25 2022

web harcourt s texts journeys vocabularyspellingcitydo you use the houghton mifflin harcourt journeys reading series 2011 2012 this is a bundle of lessons 1 30 vocabulary and selection study sheets that list see thumbnail the page numbers where the vocabulary words are listed

*journeys kindergarten lesson plans unit 1 tpt* - Feb 02 2023

web each unit plan includes 5 day lesson plans for each lesson included in the unit of houghton mifflin harcourt journeys there are 30 lessons in all the flow of each day s lesson includes a whole group warm up phonemic awareness and phonics lesson a whole group shared reading lesson abbreviated s

**journeys kindergarten lesson plans unit 4 tpt** - Jan 01 2023

web each unit plan includes 5 day lesson plans for each lesson included in the unit of houghton mifflin harcourt journeys there are 30 lessons in all the flow of each day s lesson includes a whole group warm up phonemic awareness and phonics lesson a whole group shared reading lesson abbreviated s

journeys grade k none free download borrow and - Aug 08 2023

web journeys grade k bookreader item preview at head of title houghton mifflin harcourt this is a sample of materials within this grade level reading unit includes bibliographical references and index 2 teacher editions unit 1 and unit 4 2 student practice books vol 1 and vol 2 1 decodable reader unit 4 let s find out 1 read

**hmh journeys the curriculum store** - Aug 28 2022

web kindergarten mcp plaid phonics level k student book 15 50 12 90 with journeys readers are empowered by skill mastery inspired by authentic award winning text houghton mifflin harcourt grade 1 journeys reader s notebook teacher s guide 2017 101 93 76 45

*journeys harcourt kindergarten teaching resources tpt* - Jul 07 2023

web results for journeys harcourt kindergarten 250 results sort by relevance view list animal camouflage kindergarten literacy centers for harcourt journey week 24 by coogle it 5 0 3 3 99 pdf this unit consists of 5 literacy stations the centers include writing word work letters and sounds buddy reading and listening

**spacing guides for harcourt journeys grade 5 download only** - Feb 19 2022

web houghton mifflin harcourt journeys donavan s word jar journeys grade 2 teaching resources grade 3 metaphorical journeys through 29 nations clusters of nations continents and diversity primary grades with 100 minilessons for

kindergarten california edition ascd journeys is a research based comprehensive english

**journeys research evidence base houghton mifflin harcourt** - Apr 23 2022

web houghton mifflin harcourt journeys is a core reading program for grades k 6 in the program students develop reading comprehension skills as well as skills with critical thinking writing speaking listening and research

**journeys reading program houghton mifflin harcourt** - Oct 10 2023

web nov 6 2023 when things begin to line up you can see confidence start to shine in students eyes journeys is a comprehensive k 6 english language arts program it provides an instructional system for reading both literature and informational texts for acquiring foundational reading skills and for developing mastery of speaking listening

**what is rate analysis factors and importance byju s exam** - Nov 25 2021

building costs by type of residential property in turkey 2018 - Jun 01 2022

web nov 4 2020 budgeting in the form of unit price analysis of building materials from 2013 to 2020 and wages rates from 2013 to 2020 determination of material and wage rate

**pdf the ratio of changes in construction costs and** - Jan 28 2022

web jul 25 2022 customized research analysis projects number of office building permits issued in turkey from 2013 to 2022 prime office rental rate per square meter

**turkey average office rental rates İstanbul 2021 statista** - Sep 23 2021

*how to create rate analysis of civil works linkedin* - Oct 25 2021

**rates analysis for calculating material and labour** - Mar 10 2023

web download the excel sheet to make analysis of rates of building construction to find out the building construction rates a specific work item from labours and materials

*rate analysis civil indian civil engineer guide google books* - Sep 04 2022

web to determine the rate of building construction a particular item of work from quantities of materials and labors required and their costs the rates of materials and labor are

*turkey labor cost index of construction 2023 statista* - Dec 07 2022

web analysis of rates for building works analysis of rates for building works is the process of separation of works into components elements viz labour materials

*rate analysis of civil works excel spreadsheet* - Apr 30 2022

web analysis of rates of building construction in excel sheet to determine the rate of building construction a particular item of work from quantities of materials and labors

**241874803 analysis of rates buildingworks si units** - Aug 15 2023

web ministry of construction public works analysis of rates for building works second edition june 2013 index schedule name of work page no i earth work 1 4 ii mortar 5 8 iii concrete hand mixed 9 18 iv reinforced concrete hand mixed 19 21 reinforced

**analysis of rates for building construction works** - Jul 14 2023

web jun 15 2021 rate analysis is the basis for arriving at a correct rate per unit work or supply of work specifications such as labor materials and equipment it can also be

**a comprehensive guide on rate analysis of civil works civilseek** - Mar 30 2022

web dec 6 2022 rate analysis of the civil construction works is carried out in the specific units the rates are analyzed for the different items required for the construction rate

*cpwd publications central public works department* - Jul 02 2022

web rate analysis in construction is the process of determining the rate per unit of items used at work including the cost of materials labour transport and equipment used to perform

**b tech ii yr ii sem subject building construction and cost** - Feb 09 2023

web analysis of rates for building works is the process of separation of works into components elements viz labour materials machinery transport overheads and

*unit ii rate analysis and costing standard data* - Jan 08 2023

web jul 18 2019 this process of determining the rates of an item is termed as analysis of rates or rate analysis the rate of particular item of work depends on the following 1

**rate analysis of civil works elements and** - Jun 13 2023

web the process of determining rate per unit of any work in civil engineering project like earthwork concrete work brickwork plastering painting etc is known as analysis of

**rate analysis what is it how does it work proest** - Apr 11 2023

web apr 18 2023 published by zeynep dierks apr 18 2023 the construction labor cost index in turkey gradually increased from january 2015 to january 2023 the labour cost index

**analysis of rates of building construction in excel sheet** - Dec 27 2021

**rate analysis of civil works comprehensive guide** - May 12 2023

web cost of labour types of labour standard schedule of rates the labour can be classified in to 1 skilled 1st class 2 skilled iind class 3 un skilled the labour charges can be obtained

*rate analysis in construction your foundation to a profitable* - Feb 26 2022

web dec 28 2017 as for instance cost of 1 cubic meter of m20 rcc work in slab cost of 1 cubic meter of excavation in soft soil of 1 5m depth cost of 1 square meter of plastering

**analysis of rates for building construction works scribd** - Oct 05 2022

web jul 11 2022 number of residential building permits issued in turkey 2010 2021 average rental rates of class a offices in istanbul 2018 2021 revenue of limak group 2019 by

**building construction rate analysis excel building cost estimating** - Nov 06 2022

web rules for enlistment of contractors 3 1 rules for enlistment of contractors in cpwd 2019 2020 2021 2020 2022 13 07 2022 2022 21 06 2023 2023 4 plinth area rates 4 1

**analysis of rates for building works pdf scribd** - Aug 03 2022

web 1 cost of materials 2 cost of labor 3 cost of equipment 4 overhead charges 5 contractor s profit analysis of rate for masonry rate analysis for concrete work