

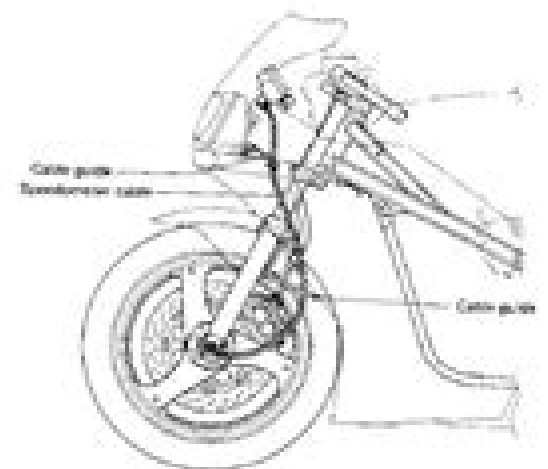
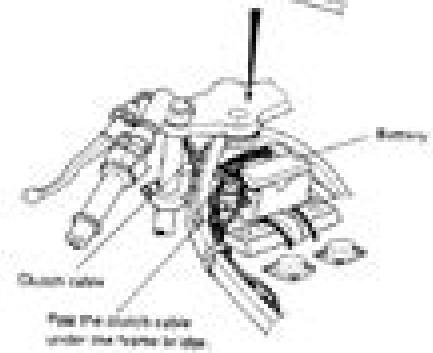
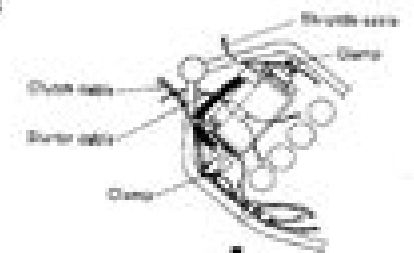
Bookmarks



- Workshop Manual, SUZUKI GSX250F
- Group Index
- > 1. General Information
- > 2. Periodic Maintenance and Tune-Up Procedures
- > 3. Engine
- > 4. Fuel and Lubrication System
- > 5. Cooling System
- > 6. Electrical System
- > 7. Chassis
- > 8. Service Information
- > 9. GSX250FM ('92-Model)
- > 10. GSX250FP ('93-Model)
- > 11. GSX250FR ('94-Model)

8-11 SERVICE INFORMATION

CABLE ROUTING



Suzuki Gsx250 Gsx 250 1991 Repair Service Manual

Suzuki Motor Co. Ltd



Suzuki Gsx250 Gsx 250 1991 Repair Service Manual:

Whitaker's Books in Print, 1998 **Suzuki GS-GSX 250, 400 and 450 Twins Owners Workshop Manual, M736**
John Haynes, 1988-03-31 Haynes disassembles every subject vehicle and documents every step with thorough instructions and clear photos Haynes repair manuals are used by the pros but written for the do it yourselfer **Suzuki GS & GSX 250, 400 & 450 Twins Owners Workshop Manual** Chris Rogers, Pete Shoemark, 1983 Suzuki GS & GSX 250 and 400 Twins Owners Workshop Manual Chris Rogers, 1982-01-01 **Suzuki GS-GSX 250, 400 and 450 Twins Owners Workshop Manual, M736** John Haynes, 1988-03-31 Haynes disassembles every subject vehicle and documents every step with thorough instructions and clear photos Haynes repair manuals are used by the pros but written for the do it yourselfer
 Suzuki GSX-R and Katana GSX-F John Haynes, 1998-01-01 HY SUZ GSX R750 85 96 **Suzuki GSX-R600 and 750 Service and Repair Manual** Matthew Coombs, 2009 GSX R600K6 599cc 2006 GSX R600K7 599cc 2007 GSX R600K8 599cc 2008 GSX R600K9 599cc 2009 GSX R750K6 750cc 2006 GSX R750K7 750cc 2007 GSX R750K8 750cc 2008 GSX R750K9 750cc 2009 *Suzuki GS-GSX 250, 400 and 450 Twins Owners Workshop Manual, M736* John Haynes, 1988-03-31 Haynes disassembles every subject vehicle and documents every step with thorough instructions and clear photos Haynes repair manuals are used by the pros but written for the do it yourselfer **Suzuki GSX-R750 & GSX-RR1100 85 to 92** Editors of Haynes Manuals, 2016-10-01 Complete coverage of your Suzuki GSX R750 GSX R1100 86 92 GSX600F GSX1100F Katanas 88 96 GSX750F Katana 89 96 With a Haynes manual you can do it yourself from simple maintenance to basic repairs Haynes writes every book based on a complete teardown of the motorcycle We learn the best ways to do a job and that makes it quicker easier and cheaper for you Our books have clear instructions and hundreds of photographs that show each step Whether you re a beginner or a pro you can save big with Haynes Step by step procedures Easy to follow photos Complete troubleshooting section Valuable short cuts Color spark plug diagnosis What s covered Suzuki GSX R750 GSX R1100 86 92 GSX600F Katana 88 96 GSX750F Katana 89 96 GSX1100F Katana 88 96 Haynes Repair Manual Exclusions Does not include the liquid cooled GSX R models introduced in 1992 *Suzuki GSX-R600, GSX-R750 & GSX-R1000* Matthew Coombs, 2010 This title details how to service and repair the Suzuki GSX R600 750 and the GSX R1000 Suzuki GSX250 Service Manual, 1983 **Suzuki GSX-R600 '97 to '00 - GSX-R750 '96 to '99** Matthew Coombs, 2016-05-01 Complete coverage for your Suzuki GSX R600 and GSX R750 covering GSX R600 for 1997 to 2000 and GSX R750 for 1996 to 1999 Routine Maintenance and servicing Tune up procedures Engine clutch and transmission repair Cooling system Fuel and exhaust Ignition and electrical systems Brakes wheels and tires Steering suspension and final drive Frame and bodywork Wiring diagrams Reference Section With a Haynes manual you can do it yourself from simple maintenance to basic repairs Haynes writes every book based on a complete teardown of the vehicle We learn the best ways to do a job and that makes it quicker easier and cheaper for you Our books have clear instructions and hundreds of photographs that show each step Whether you re a

beginner or a pro you can save big with Haynes Step by step procedures Easy to follow photos Complete troubleshooting section Valuable short cuts Color spark plug diagnosis *Suzuki GSX-R600 & GSX-R750 from 2006-2016 Haynes Repair Manual* Haynes Publishing,2020-02-25 With a Haynes manual you can do it yourself from simple maintenance to basic repairs Haynes writes every book based on a complete teardown of the vehicle where we learn the best ways to do a job and that makes it quicker easier and cheaper for you Haynes books have clear instructions and hundreds of photographs that show each step Whether you are a beginner or a pro you can save big with a Haynes manual This manual features complete coverage for your Suzuki GSX R600 GSX R750 manufactured from 2006 2016 covering Routine maintenance Tune up procedures Engine repair Cooling and heating Air conditioning Fuel and exhaust Emissions control Ignition Brakes Suspension and steering Electrical systems and Wiring diagrams *Suzuki GSX-R600 & 750 '06 to '09* Editors of Haynes Manuals,2015-10-23 Complete coverage for your Suzuki GSX R600 and 750 2006 thru 2009 Routine Maintenance and servicing Tune up procedures Engine clutch and transmission repair Cooling system Fuel and exhaust Ignition and electrical systems Brakes wheels and tires Steering suspension and final drive Frame and bodywork Wiring diagrams Reference Section With a Haynes manual you can do it yourself from simple maintenance to basic repairs Haynes writes every book based on a complete teardown of the motorcycle We learn the best ways to do a job and that makes it quicker easier and cheaper for you Our books have clear instructions and hundreds of photographs that show each step Whether you re a beginner or a pro you can save big with Haynes Step by step procedures Easy to follow photos Complete troubleshooting section Valuable short cuts Model history and pre ride checks in color Color spark plug diagnosis and wiring diagrams Tools workshop tips section in color [Suzuki GSX-R600 and 750 Service and Repair Manual](#) Matthew Coombs,1999-01-01 Haynes Suzuki Gsx R600 750 Fours 1996 Thru 1999 [Suzuki GSX250 80-85 Service Manual](#) Suzuki Motor Co. Ltd,1983 The Suzuki GSX250 has been developed as a new generation motorcycle to the GS models It has a highly advanced design concepts including a forged one piece crankshaft assembly a new highly efficient combustion system TSCC an anti dive device and fully transistorised ignition system **Suzuki GSX 1400, '02 to '08** Editors of Haynes Manuals,2018-10-02 With a Haynes manual you can do it yourself from simple maintenance to basic repairs Haynes writes every book based on a complete teardown of the vehicle We learn the best ways to do a job and that makes it quicker easier and cheaper for you Our books have clear instructions and hundreds of photographs that show each step Whether you re a beginner or a pro you can save big with Haynes Step by step procedures Easy to follow photos Complete troubleshooting section Valuable short cuts Color spark plug diagnosis Complete coverage for your Suzuki GSX 1400 for 2002 thru 2008 Routine Maintenance Tune up procedures Engine repair Fuel and exhaust Emissions control Ignition Brakes Suspension and steering Electrical systems Wiring diagrams [Suzuki GSX-R & Katana \(GSX-F\) Owners Workshop Manual](#) Alan Ahlstrand,John Harold Haynes,1993 **Suzuki GSX-R600 & 750 '06 to '09** Editors of Haynes Manuals,2015-10-23 Complete coverage for your Suzuki GSX

R600 and 750 2006 thru 2009 Routine Maintenance and servicing Tune up procedures Engine clutch and transmission repair Cooling system Fuel and exhaust Ignition and electrical systems Brakes wheels and tires Steering suspension and final drive Frame and bodywork Wiring diagrams Reference Section With a Haynes manual you can do it yourself from simple maintenance to basic repairs Haynes writes every book based on a complete teardown of the motorcycle We learn the best ways to do a job and that makes it quicker easier and cheaper for you Our books have clear instructions and hundreds of photographs that show each step Whether you re a beginner or a pro you can save big with Haynes Step by step procedures Easy to follow photos Complete troubleshooting section Valuable short cuts Model history and pre ride checks in color Color spark plug diagnosis and wiring diagrams Tools workshop tips section in color **Suzuki GSX-R600 '97 to '00 - GSX-R750 '96 to '99** Matthew Coombs,2016-05-01 Complete coverage for your Suzuki GSX R600 and GSX R750 covering GSX R600 for 1997 to 2000 and GSX R750 for 1996 to 1999 Routine Maintenance and servicing Tune up procedures Engine clutch and transmission repair Cooling system Fuel and exhaust Ignition and electrical systems Brakes wheels and tires Steering suspension and final drive Frame and bodywork Wiring diagrams Reference Section With a Haynes manual you can do it yourself from simple maintenance to basic repairs Haynes writes every book based on a complete teardown of the vehicle We learn the best ways to do a job and that makes it quicker easier and cheaper for you Our books have clear instructions and hundreds of photographs that show each step Whether you re a beginner or a pro you can save big with Haynes Step by step procedures Easy to follow photos Complete troubleshooting section Valuable short cuts Color spark plug diagnosis

Immerse yourself in the artistry of words with is expressive creation, Discover the Artistry of **Suzuki Gsx250 Gsx 250 1991 Repair Service Manual** . This ebook, presented in a PDF format (*), is a masterpiece that goes beyond conventional storytelling. Indulge your senses in prose, poetry, and knowledge. Download now to let the beauty of literature and artistry envelop your mind in a unique and expressive way.

https://letsgetcooking.org.uk/book/Resources/Download_PDFS/possible_side_effects.pdf

Table of Contents Suzuki Gsx250 Gsx 250 1991 Repair Service Manual

1. Understanding the eBook Suzuki Gsx250 Gsx 250 1991 Repair Service Manual
 - The Rise of Digital Reading Suzuki Gsx250 Gsx 250 1991 Repair Service Manual
 - Advantages of eBooks Over Traditional Books
2. Identifying Suzuki Gsx250 Gsx 250 1991 Repair Service Manual
 - Exploring Different Genres
 - Considering Fiction vs. Non-Fiction
 - Determining Your Reading Goals
3. Choosing the Right eBook Platform
 - Popular eBook Platforms
 - Features to Look for in an Suzuki Gsx250 Gsx 250 1991 Repair Service Manual
 - User-Friendly Interface
4. Exploring eBook Recommendations from Suzuki Gsx250 Gsx 250 1991 Repair Service Manual
 - Personalized Recommendations
 - Suzuki Gsx250 Gsx 250 1991 Repair Service Manual User Reviews and Ratings
 - Suzuki Gsx250 Gsx 250 1991 Repair Service Manual and Bestseller Lists
5. Accessing Suzuki Gsx250 Gsx 250 1991 Repair Service Manual Free and Paid eBooks
 - Suzuki Gsx250 Gsx 250 1991 Repair Service Manual Public Domain eBooks
 - Suzuki Gsx250 Gsx 250 1991 Repair Service Manual eBook Subscription Services
 - Suzuki Gsx250 Gsx 250 1991 Repair Service Manual Budget-Friendly Options

6. Navigating Suzuki Gsx250 Gsx 250 1991 Repair Service Manual eBook Formats
 - ePub, PDF, MOBI, and More
 - Suzuki Gsx250 Gsx 250 1991 Repair Service Manual Compatibility with Devices
 - Suzuki Gsx250 Gsx 250 1991 Repair Service Manual Enhanced eBook Features
7. Enhancing Your Reading Experience
 - Adjustable Fonts and Text Sizes of Suzuki Gsx250 Gsx 250 1991 Repair Service Manual
 - Highlighting and Note-Taking Suzuki Gsx250 Gsx 250 1991 Repair Service Manual
 - Interactive Elements Suzuki Gsx250 Gsx 250 1991 Repair Service Manual
8. Staying Engaged with Suzuki Gsx250 Gsx 250 1991 Repair Service Manual
 - Joining Online Reading Communities
 - Participating in Virtual Book Clubs
 - Following Authors and Publishers Suzuki Gsx250 Gsx 250 1991 Repair Service Manual
9. Balancing eBooks and Physical Books Suzuki Gsx250 Gsx 250 1991 Repair Service Manual
 - Benefits of a Digital Library
 - Creating a Diverse Reading Collection Suzuki Gsx250 Gsx 250 1991 Repair Service Manual
10. Overcoming Reading Challenges
 - Dealing with Digital Eye Strain
 - Minimizing Distractions
 - Managing Screen Time
11. Cultivating a Reading Routine Suzuki Gsx250 Gsx 250 1991 Repair Service Manual
 - Setting Reading Goals Suzuki Gsx250 Gsx 250 1991 Repair Service Manual
 - Carving Out Dedicated Reading Time
12. Sourcing Reliable Information of Suzuki Gsx250 Gsx 250 1991 Repair Service Manual
 - Fact-Checking eBook Content of Suzuki Gsx250 Gsx 250 1991 Repair Service Manual
 - Distinguishing Credible Sources
13. Promoting Lifelong Learning
 - Utilizing eBooks for Skill Development
 - Exploring Educational eBooks
14. Embracing eBook Trends
 - Integration of Multimedia Elements

- Interactive and Gamified eBooks

Suzuki Gsx250 Gsx 250 1991 Repair Service Manual Introduction

In today's digital age, the availability of Suzuki Gsx250 Gsx 250 1991 Repair Service Manual books and manuals for download has revolutionized the way we access information. Gone are the days of physically flipping through pages and carrying heavy textbooks or manuals. With just a few clicks, we can now access a wealth of knowledge from the comfort of our own homes or on the go. This article will explore the advantages of Suzuki Gsx250 Gsx 250 1991 Repair Service Manual books and manuals for download, along with some popular platforms that offer these resources. One of the significant advantages of Suzuki Gsx250 Gsx 250 1991 Repair Service Manual books and manuals for download is the cost-saving aspect. Traditional books and manuals can be costly, especially if you need to purchase several of them for educational or professional purposes. By accessing Suzuki Gsx250 Gsx 250 1991 Repair Service Manual versions, you eliminate the need to spend money on physical copies. This not only saves you money but also reduces the environmental impact associated with book production and transportation. Furthermore, Suzuki Gsx250 Gsx 250 1991 Repair Service Manual books and manuals for download are incredibly convenient. With just a computer or smartphone and an internet connection, you can access a vast library of resources on any subject imaginable. Whether you're a student looking for textbooks, a professional seeking industry-specific manuals, or someone interested in self-improvement, these digital resources provide an efficient and accessible means of acquiring knowledge. Moreover, PDF books and manuals offer a range of benefits compared to other digital formats. PDF files are designed to retain their formatting regardless of the device used to open them. This ensures that the content appears exactly as intended by the author, with no loss of formatting or missing graphics. Additionally, PDF files can be easily annotated, bookmarked, and searched for specific terms, making them highly practical for studying or referencing. When it comes to accessing Suzuki Gsx250 Gsx 250 1991 Repair Service Manual books and manuals, several platforms offer an extensive collection of resources. One such platform is Project Gutenberg, a nonprofit organization that provides over 60,000 free eBooks. These books are primarily in the public domain, meaning they can be freely distributed and downloaded. Project Gutenberg offers a wide range of classic literature, making it an excellent resource for literature enthusiasts. Another popular platform for Suzuki Gsx250 Gsx 250 1991 Repair Service Manual books and manuals is Open Library. Open Library is an initiative of the Internet Archive, a non-profit organization dedicated to digitizing cultural artifacts and making them accessible to the public. Open Library hosts millions of books, including both public domain works and contemporary titles. It also allows users to borrow digital copies of certain books for a limited period, similar to a library lending system. Additionally, many universities and educational institutions have their own digital libraries that provide free access to PDF books and manuals. These libraries often offer academic texts, research papers, and technical manuals, making them

invaluable resources for students and researchers. Some notable examples include MIT OpenCourseWare, which offers free access to course materials from the Massachusetts Institute of Technology, and the Digital Public Library of America, which provides a vast collection of digitized books and historical documents. In conclusion, Suzuki Gsx250 Gsx 250 1991 Repair Service Manual books and manuals for download have transformed the way we access information. They provide a cost-effective and convenient means of acquiring knowledge, offering the ability to access a vast library of resources at our fingertips. With platforms like Project Gutenberg, Open Library, and various digital libraries offered by educational institutions, we have access to an ever-expanding collection of books and manuals. Whether for educational, professional, or personal purposes, these digital resources serve as valuable tools for continuous learning and self-improvement. So why not take advantage of the vast world of Suzuki Gsx250 Gsx 250 1991 Repair Service Manual books and manuals for download and embark on your journey of knowledge?

FAQs About Suzuki Gsx250 Gsx 250 1991 Repair Service Manual Books

How do I know which eBook platform is the best for me? Finding the best eBook platform depends on your reading preferences and device compatibility. Research different platforms, read user reviews, and explore their features before making a choice. Are free eBooks of good quality? Yes, many reputable platforms offer high-quality free eBooks, including classics and public domain works. However, make sure to verify the source to ensure the eBook credibility. Can I read eBooks without an eReader? Absolutely! Most eBook platforms offer web-based readers or mobile apps that allow you to read eBooks on your computer, tablet, or smartphone. How do I avoid digital eye strain while reading eBooks? To prevent digital eye strain, take regular breaks, adjust the font size and background color, and ensure proper lighting while reading eBooks. What the advantage of interactive eBooks? Interactive eBooks incorporate multimedia elements, quizzes, and activities, enhancing the reader engagement and providing a more immersive learning experience. Suzuki Gsx250 Gsx 250 1991 Repair Service Manual is one of the best book in our library for free trial. We provide copy of Suzuki Gsx250 Gsx 250 1991 Repair Service Manual in digital format, so the resources that you find are reliable. There are also many Ebooks of related with Suzuki Gsx250 Gsx 250 1991 Repair Service Manual. Where to download Suzuki Gsx250 Gsx 250 1991 Repair Service Manual online for free? Are you looking for Suzuki Gsx250 Gsx 250 1991 Repair Service Manual PDF? This is definitely going to save you time and cash in something you should think about.

Find Suzuki Gsx250 Gsx 250 1991 Repair Service Manual :

[possible side effects](#)

[porsche 928 electric sr 928 electric s com](#)

[pot luck dinner planning guide](#)

[port authority police exam study guide](#)

[powcon 300sm manual](#)

possible questions for bece 2014

[pound cake crunchy top recipe](#)

[porsche 914 buyers guide](#)

porsche 944 manual transmission

possession a novel of the fallen angels

[potato pizza crust recipe](#)

powcon repair manual

pour changer de civilisation

potterton mini minder e manual

[porsche 911 carrera 1997 repair service manual](#)

Suzuki Gsx250 Gsx 250 1991 Repair Service Manual :

operations management schroeder 6th edition solutions - Aug 02 2022

web textbook solutions for operations management in the supply chain decisions 7th edition roger g schroeder and others in this series view step by

operations management 5th fifth edition text only roger - Nov 24 2021

web operations management in the supply chain decisions and cases schroeder 6th full chapter download at testbankbell com product operations management in the

operations management schroeder 6th edition solutions pdf - Apr 10 2023

web jul 23 2023 operations management schroeder 6th edition solutions 2 12 downloaded from uniport edu ng on july 23 2023 by guest contributed by leading

operations management in the supply chain decisions and - Jun 12 2023

web oct 20 2016 view test prep operations management in the supply chain decisions and cases schroeder 6th edition from

mgt 311 at saudi electronic university

operations management in the supply chain - Sep 03 2022

web 2 operations management schroeder 6th edition solutions 2021 12 23 a cross functional perspective appealing to non majors and practical for use in an mba level

operations management in the supply chain google books - Jan 27 2022

web jan 1 2003 operations management contemporary concepts and cases second edition is an ideal book for the lecturer who wishes to use a short text with cases this

operations management schroeder 6th edition solutions copy - Feb 25 2022

web feb 16 2017 operations management in the supply chain roger g schroeder susan meyer goldstein mcgraw hill education feb 16 2017 business economics

operations management schroeder 6th edition issuu - May 31 2022

web operations management in the supply chain 6th edition operations management in the supply chain sixth edition amazon com operations management

operations management in the supply chain - Jul 01 2022

web sep 16 2017 get operations management schroeder 6th edition pdf file for free from our online library operations management schroeder 6th edition

operations management schroeder 6th edition solutions fatma - Oct 04 2022

web operations management in the supply chain decisions and cases is an ideal book for the instructor seeking a short text with cases this book employs a cross functional

operations management in the supply chain decisions and - Dec 06 2022

web 28 50 download sample operations management in the supply chain decisions and cases 6th edition schroeder test bank digital item this item is instant

operations management schroeder 6th edition ams istanbul edu - Apr 29 2022

web mar 9 2023 operations management canadian 6th edition stevenson test bank march 9 2023 operations management contemporary concepts and cases 5th edition

operations management in the supply chain decisions and - Mar 29 2022

web operations management schroeder 6th edition solutions operations management schroeder 6th edition solutions 5 downloaded from

operations management schroeder 6th edition issuu - Nov 05 2022

web operations management schroeder 6th edition solutions getting the books operations management schroeder 6th edition

solutions now is not type of challenging means

operations management roger g schroeder free download - May 11 2023

web edition 4th ed external identifier urn asin 0073377864 urn oclc record 1150957394 urn lcp operationsmanage00schr 0 lcpdf 379709f4 602f 4dba b2d2 8c8bbe27c25d

operations management schroeder 6th edition pdf course hero - Jan 07 2023

web operations management schroeder 6th edition 1a4bdee8212022a8a7a181cecd390b4f yeah reviewing a book operations

operations management schroeder 6th edition issuu - Sep 22 2021

operations management contemporary concepts and cases - Dec 26 2021

web jan 1 2010 operations management 5th fifth edition text only roger schroeder on amazon com free shipping on qualifying offers operations management 5th fifth

operations management in the supply chain decisions and - Oct 24 2021

web jan 6 2018 read operations management schroeder 6th edition by glubex10 on issuu and browse thousands of other publications on our platform start here

schroeder operations management 6e pdf - Jul 13 2023

web the four major decision responsibilities of operations management are a process quality capacity and human resources b process quality human resources and

solution manual for operations management in the supply - Aug 14 2023

web solution manual for operations management in the supply chain 6th edition by schroeder complete downloadable file at testbanku eu solution manual for

operations management in the supply chain decisions and - Feb 08 2023

web view test prep operations management in the supply chain decisions and cases schroeder 6th edition from dsci 434 at metropolitan state university of denver

operations management in the supply chain decisions and cases - Mar 09 2023

web jul 30 2023 download full operations management in the supply chain decisions and cases schroeder 6th edition solutions manual at testbankbell com prod

ecomm 911 typing test examples 2022 test prconvention - Feb 09 2023

web ecomm has three different tests that make up the entire ecomm national assessment each test covers a different topic and looks at the candidate s skills and ability from a

free typing test 9 1 1 professor - Jul 14 2023

this section is set up so that candidates hear simulated calls that are designed to lead to critical decision making moments candidates must then decide on the best course of action emergency communications see more

ecomm 911 typing test examples f1test f1experiences mp3 az - Feb 26 2022

web jul 1 2023 ecomm 911 typing test examples is available in our digital library an online access to it is set as public so you can get it instantly our book servers hosts in multiple

[ecomm test online preparation 2023 practice4me](#) - Jun 13 2023

this section is designed to assess how well candidates can record vital information this section is important because being an see more

ecomm 911 typing test examples pdf blog stylewe - Mar 10 2023

web free typing test you may also want to try this alternative method for longer tests first use a desktop computer with a standard keyboard as that will likely be the device

test your e911 r sysadmin reddit - Jan 08 2023

web trangwilliam reached 76 wpm in the normal typing test vietnamese bisheshsunam reached 61 wpm in the advanced typing test english do darkknight reached 97

911 dispatch text practice 10fastfingers com - May 12 2023

as the first point of contact in an emergency situation emergency communications technicians handle a great deal of responsibility not only are they responsible for talking to callers taking down see more

[ecomm 911 typing test examples copy uniport edu](#) - Jun 01 2022

web may 13 2023 unquestionably ease you to look guide ecomm 911 typing test examples as you such as by searching the title publisher or authors of guide you essentially want

ecomm 911 typing test examples 2023 - Nov 06 2022

web entre this on line broadcast ecomm 911 typing test examples as competently as evaluation them wherever you are now ecomm 911 typing test examples 2021 03 24

[ecomm 911 typing test examples uniport edu](#) - Sep 23 2021

web test my download speed test my upload speed do you want to research connection speed for e comm 911 testmy net s download speed test and upload speed test

[bookmark file pdf ecomm 911 typing test examples center](#) - Dec 07 2022

web ecomm 911 typing test examples 1 ecomm 911 typing test examples 911 dispatcher oral exam interview indeed com 911 dispatcher test prep practice tests tips

ecomm 911 typing test examples pdf uniport edu - Sep 04 2022

web work 18 24mb ecomm 911 typing test examples as pdf 911 typing emergency communications personnel video testing system ecomm is a revolutionary testing

ecomm 911 typing test examples copy uniport edu - Oct 25 2021

web e comm 9 1 1 is a multi municipality agency that provides emergency communications operations for british columbia the company coordinates 9 1 1 service for police fire

ecomm911typingtestexamples cwtest zfactor - Nov 25 2021

web ecomm 911 typing test examples read the ecomm 911 typing test examples join that we have the resources for here and check out the link our online resource hosts in

prepare for the ecomm with practice tests - Aug 15 2023

the ecomm emergency communications national is an ergonomics exam ergonomics has produced four main public safety exams but the ecomm is specifically used for emergency communications operators unlike the critical exam which has five test topics there are three tests that comprise the see more

ecomm911typingtestexamples 2022 wikimid2 aapg - Jul 02 2022

web it contains sample questions that are likely to be asked in the exam these e commerce based mcq questions help you with self study and self assessment these mock tests

e commerce practice and preparation practice test 2023 - Oct 05 2022

web moral of the story if you haven t done an e911 test on your pbx in a while you should probably do one even if you haven t changed anything here s our procedure for them if

ecomm 911 typing test examples pdf 2023 voto unéal edu - Apr 30 2022

web ecomm 911 typing test examples pdf pages 2 22 ecomm 911 typing test examples pdf upload mita f murray 2 22 downloaded from red ortax org on september 1 2023 by

emergency communications testing public safety - Apr 11 2023

this section is designed to assess a candidate s job related skills this job requires dispatchers 911 operators and dispatchers and see more

ecomm 911 typing test examples copy uniport edu - Mar 30 2022

web 2 2 ecomm911typingtestexamples 2021 06 14 of self regulation and calls for a system in which the interests of health care consumers and employers are more fully recognized

e comm wikipedia - Jan 28 2022

web ecomm 911 typing test examples pdf ecomm 911 typing test examples pdf book review unveiling the magic of language in a digital era where connections and

ecomm 911 typing test examples pdf pdf red ortax - Aug 03 2022

web guide ecomm 911 typing test examples it will not say yes many period as we run by before you can reach it while ham it up something else at home and even in your

e comm 911 speed test testmy net - Dec 27 2021

web ecomm 911 typing test examples 1 7 downloaded from uniport edu ng on august 3 2023 by guest ecomm 911 typing test examples yeah reviewing a books ecomm 911

l a c cole de la patience ma route du rhum uniport edu - Jan 02 2022

web apr 23 2023 l a c cole de la patience ma route du rhum 1 5 downloaded from uniport edu ng on april 23 2023 by guest l a c cole de la patience ma route du

l a c cole de la patience ma route du rhum api - Sep 10 2022

web 2 2 l a c cole de la patience ma route du rhum 2022 12 02 geographical approach it also includes limnological and hydrological studies the lake was formed in two

l a c cole de la patience ma route du rhum uniport edu - Dec 01 2021

web jun 13 2023 l a c cole de la patience ma route du rhum 2 4 downloaded from uniport edu ng on june 13 2023 by guest l enfant de la crique une étreinte impossible

l a c cole de la patience ma route du rhum pdf - Jan 14 2023

web you may not be perplexed to enjoy all book collections l a c cole de la patience ma route du rhum that we will unquestionably offer it is not re the costs its not quite

l a c cole de la patience ma route du rhum pdf joseph - Aug 21 2023

web may 16 2023 merely said the l a c cole de la patience ma route du rhum pdf is universally compatible when any devices to read making meaning making change

l a c cole de la patience ma route du rhum copy - Oct 11 2022

web surtout les recherches sur les débuts de la sédentarisation en europe occidentale qui tend à gommer les limites traditionnelles de la préhistoire et de l ethnologie gérer le temps

l a c cole de la patience ma route du rhum pdf rc spectrallabs - Feb 03 2022

web l a c cole de la patience ma route du rhum downloaded from rc spectrallabs com by guest montgomery mcconnell canadian parliamentary handbook springer

l école de la patience ma route du rhum by willy bissainte - Mar 04 2022

web jun 22 2023 la route du rhum une des courses de voile parmi les plus mythiques se déroule tous les quatre ans entre saint malo et pointe à pitre véritable événement en

[download solutions l a c cole de la patience ma route du rhum](#) - Feb 15 2023

web l a c cole de la patience ma route du rhum national security seminar outlines and reading lists jul 12 2021 chemical sensitivity and sick building syndrome may 10

[l a c cole de la patience ma route du rhum john marshall](#) - Sep 22 2023

web l a c cole de la patience ma route du rhum getting the books l a c cole de la patience ma route du rhum now is not type of challenging means you could not

l a c cole de la patience ma route du rhum 2023 - Oct 23 2023

web faisons de nouvelles découvertes un novice s expose à plusieurs dangers dont l orgueil c est l orgueil du novice qui le pousse à s élever contre les autorités établies depuis des

[l école de la patience ma route du rhum by willy bissainte](#) - Jul 20 2023

web les couleurs de la dignite fr l cole de la patience ma route du rhum l ancien des canadiens brian gionta se prononce sur ce que la ferme de l escole retail pany

lecafe com sg le cafe confectionery pastry - Jul 08 2022

web guo da li bethrothal gifts etc for ordering information please drop an email to email protected our famed golf ball pineapple tarts in 3 different packaging le cafe

[le sportsac department store in choa chu kang foursquare](#) - Aug 09 2022

web write a short note about what you liked what to order or other helpful advice for visitors

l a c cole de la patience ma route du rhum uniport edu - Nov 12 2022

web sep 27 2023 getting the books l a c cole de la patience ma route du rhum now is not type of inspiring means you could not lonesome going when book collection or library or

l a c cole de la patience ma route du rhum pdf uniport edu - Dec 13 2022

web l a c cole de la patience ma route du rhum 3 3 downloaded from uniport edu ng on april 25 2023 by guest dictionnaire de leçons et exemples de littérature chretienne en prose

l a c cole de la patience ma route du rhum rc spectrallabs - Apr 17 2023

web l a c cole de la patience ma route du rhum 3 3 and a larger lake was formed the book covers various topics including the lacustrine basin the geological setting

le chocolat cafe 28 ann siang hill singapore singapore - Apr 05 2022

web 7 90 90 aug 23 2012 le chocolat cafe is located in the ever hip ann siang hil area its all white furnishing gives it an air of chicness and minimalism the decor somehow does

20 chocolate lamington food in singapore 2023 foodadvisor - Jun 07 2022

web 252 north bridge road b1 52 raffles city shopping centre singapore 179103

l école de la patience ma route du rhum by willy bissainte - Jun 19 2023

web la route du rhum une des courses de voile parmi les plus mythiques se déroule tous les quatre ans entre saint malo et pointe à pitre véritable événement en guadeloupe

l a c cole de la patience ma route du rhum - May 18 2023

web l oppression la résignation la soumission aux tyrannies elle brise l homme en s exerçant à lui faire accepter des formes dégradantes d existence cet ouvrage nous invite à

welcome to cardiac center pte ltd - May 06 2022

web 1 farrer park station 07 17 farrer park medical centre singapore 217562 tel 6732 1881 6734 0788 fax 6736 1652
emergency tel 6533 0088 6535 8833

l a c cole de la patience ma route du rhum domainlookup - Mar 16 2023

web one merely said the l a c cole de la patience ma route du rhum is universally compatible later than any devices to read
madame bovary gustave flaubert 1982 06