

- Table of Contents
- Safe operating instructions
- Technical Data
- Introduction, Maintenance
- Planned Maintenance
- Oil and Grease Specification
- Tools
- Support Arm Chase
- Electric Drive Motor
- Drive Unit/Gear
- Electromagnetic Brake
- Steering
- Electrical Systems
- Hydraulic System
- Non-Lift Chain System



TOYOTA

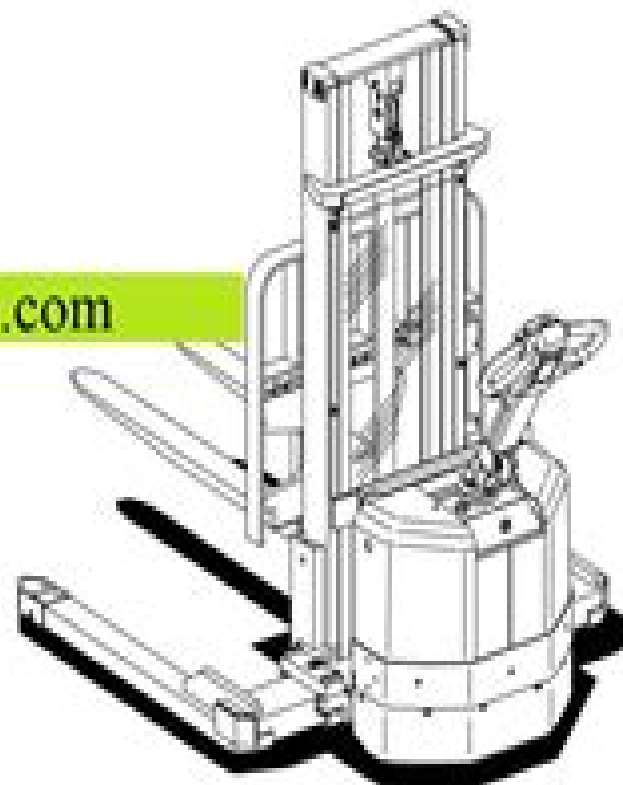
MATERIAL HANDLING U.S.A.

Service Guide

6BWS10/13

Electric Walkie Adjustable Straddle Stacker
 (Effective Serial Number 000000 - UP)

DHTauto.com



- Warning** Read and observe all warnings on this unit before operating it.
- Warning** DO NOT operate this equipment unless all factory installed safety and health are

Weight Of Forklift Toyota 25 Manual

WJ Hussar



Weight Of Forklift Toyota 25 Manual:

Materials Handling News ,2003 Federal Register ,1992-01-27 *Diesel Progress North American* ,1986

Popular Mechanics ,1999 *Canadian Transportation & Distribution Management* ,1982 **Popular Mechanics** ,1983-06 Popular Mechanics inspires instructs and influences readers to help them master the modern world Whether it s practical DIY home improvement tips gadgets and digital technology information on the newest cars or the latest breakthroughs in science PM is the ultimate guide to our high tech lifestyle Railway and Shipping World ,1982

Japanese Technical Abstracts ,1986 **Popular Science** ,1982-08 Popular Science gives our readers the information and tools to improve their technology and their world The core belief that Popular Science and our readers share The future is going to be better and science and technology are the driving forces that will help make it better **Western Miner** ,1977 Handling & Shipping ,1971 Beginning May 1965 the Feb May Aug and Nov issues include unnumbered and consecutively paged section Associated Traffic Clubs News bulletin *Predicasts F & S Index International Annual* ,1980

Thomas Register of American Manufacturers and Thomas Register Catalog File ,1996 Vols for 1970 71 includes manufacturers catalogs **Product Safety & Liability Reporter** ,1994 **California Farmer** ,1979 *Applied Science & Technology Index* ,1997 *Japanese Technical Periodical Index* ,1986 **Japanese Current Research** ,1987-07
Modern Castings ,1988 The Wall Street Journal ,1980

Embracing the Beat of Appearance: An Emotional Symphony within **Weight Of Forklift Toyota 25 Manual**

In a world used by displays and the ceaseless chatter of instantaneous transmission, the melodic elegance and mental symphony created by the prepared word often disappear in to the back ground, eclipsed by the relentless noise and disruptions that permeate our lives. However, nestled within the pages of **Weight Of Forklift Toyota 25 Manual** an enchanting fictional prize brimming with fresh emotions, lies an immersive symphony waiting to be embraced. Crafted by a wonderful musician of language, that captivating masterpiece conducts readers on a psychological trip, skillfully unraveling the hidden melodies and profound influence resonating within each cautiously constructed phrase. Within the depths of the emotional evaluation, we will examine the book is main harmonies, analyze its enthralling writing model, and surrender ourselves to the profound resonance that echoes in the depths of readers souls.

https://letsgetcooking.org.uk/results/Resources/Download_PDFS/Shop_Manual_1976_Corvette.pdf

Table of Contents Weight Of Forklift Toyota 25 Manual

1. Understanding the eBook Weight Of Forklift Toyota 25 Manual
 - The Rise of Digital Reading Weight Of Forklift Toyota 25 Manual
 - Advantages of eBooks Over Traditional Books
2. Identifying Weight Of Forklift Toyota 25 Manual
 - Exploring Different Genres
 - Considering Fiction vs. Non-Fiction
 - Determining Your Reading Goals
3. Choosing the Right eBook Platform
 - Popular eBook Platforms
 - Features to Look for in an Weight Of Forklift Toyota 25 Manual
 - User-Friendly Interface
4. Exploring eBook Recommendations from Weight Of Forklift Toyota 25 Manual
 - Personalized Recommendations

- Weight Of Forklift Toyota 25 Manual User Reviews and Ratings
- Weight Of Forklift Toyota 25 Manual and Bestseller Lists
- 5. Accessing Weight Of Forklift Toyota 25 Manual Free and Paid eBooks
 - Weight Of Forklift Toyota 25 Manual Public Domain eBooks
 - Weight Of Forklift Toyota 25 Manual eBook Subscription Services
 - Weight Of Forklift Toyota 25 Manual Budget-Friendly Options
- 6. Navigating Weight Of Forklift Toyota 25 Manual eBook Formats
 - ePub, PDF, MOBI, and More
 - Weight Of Forklift Toyota 25 Manual Compatibility with Devices
 - Weight Of Forklift Toyota 25 Manual Enhanced eBook Features
- 7. Enhancing Your Reading Experience
 - Adjustable Fonts and Text Sizes of Weight Of Forklift Toyota 25 Manual
 - Highlighting and Note-Taking Weight Of Forklift Toyota 25 Manual
 - Interactive Elements Weight Of Forklift Toyota 25 Manual
- 8. Staying Engaged with Weight Of Forklift Toyota 25 Manual
 - Joining Online Reading Communities
 - Participating in Virtual Book Clubs
 - Following Authors and Publishers Weight Of Forklift Toyota 25 Manual
- 9. Balancing eBooks and Physical Books Weight Of Forklift Toyota 25 Manual
 - Benefits of a Digital Library
 - Creating a Diverse Reading Collection Weight Of Forklift Toyota 25 Manual
- 10. Overcoming Reading Challenges
 - Dealing with Digital Eye Strain
 - Minimizing Distractions
 - Managing Screen Time
- 11. Cultivating a Reading Routine Weight Of Forklift Toyota 25 Manual
 - Setting Reading Goals Weight Of Forklift Toyota 25 Manual
 - Carving Out Dedicated Reading Time
- 12. Sourcing Reliable Information of Weight Of Forklift Toyota 25 Manual
 - Fact-Checking eBook Content of Weight Of Forklift Toyota 25 Manual

- Distinguishing Credible Sources
- 13. Promoting Lifelong Learning
 - Utilizing eBooks for Skill Development
 - Exploring Educational eBooks
- 14. Embracing eBook Trends
 - Integration of Multimedia Elements
 - Interactive and Gamified eBooks

Weight Of Forklift Toyota 25 Manual Introduction

Weight Of Forklift Toyota 25 Manual Offers over 60,000 free eBooks, including many classics that are in the public domain. Open Library: Provides access to over 1 million free eBooks, including classic literature and contemporary works. Weight Of Forklift Toyota 25 Manual Offers a vast collection of books, some of which are available for free as PDF downloads, particularly older books in the public domain. Weight Of Forklift Toyota 25 Manual : This website hosts a vast collection of scientific articles, books, and textbooks. While it operates in a legal gray area due to copyright issues, its a popular resource for finding various publications. Internet Archive for Weight Of Forklift Toyota 25 Manual : Has an extensive collection of digital content, including books, articles, videos, and more. It has a massive library of free downloadable books. Free-eBooks Weight Of Forklift Toyota 25 Manual Offers a diverse range of free eBooks across various genres. Weight Of Forklift Toyota 25 Manual Focuses mainly on educational books, textbooks, and business books. It offers free PDF downloads for educational purposes. Weight Of Forklift Toyota 25 Manual Provides a large selection of free eBooks in different genres, which are available for download in various formats, including PDF. Finding specific Weight Of Forklift Toyota 25 Manual, especially related to Weight Of Forklift Toyota 25 Manual, might be challenging as theyre often artistic creations rather than practical blueprints. However, you can explore the following steps to search for or create your own Online Searches: Look for websites, forums, or blogs dedicated to Weight Of Forklift Toyota 25 Manual, Sometimes enthusiasts share their designs or concepts in PDF format. Books and Magazines Some Weight Of Forklift Toyota 25 Manual books or magazines might include. Look for these in online stores or libraries. Remember that while Weight Of Forklift Toyota 25 Manual, sharing copyrighted material without permission is not legal. Always ensure youre either creating your own or obtaining them from legitimate sources that allow sharing and downloading. Library Check if your local library offers eBook lending services. Many libraries have digital catalogs where you can borrow Weight Of Forklift Toyota 25 Manual eBooks for free, including popular titles. Online Retailers: Websites like Amazon, Google Books, or Apple Books often sell eBooks. Sometimes, authors or publishers offer promotions or free periods for certain books. Authors Website Occasionally, authors provide excerpts or short

stories for free on their websites. While this might not be the Weight Of Forklift Toyota 25 Manual full book, it can give you a taste of the authors writing style. Subscription Services Platforms like Kindle Unlimited or Scribd offer subscription-based access to a wide range of Weight Of Forklift Toyota 25 Manual eBooks, including some popular titles.

FAQs About Weight Of Forklift Toyota 25 Manual Books

How do I know which eBook platform is the best for me? Finding the best eBook platform depends on your reading preferences and device compatibility. Research different platforms, read user reviews, and explore their features before making a choice. Are free eBooks of good quality? Yes, many reputable platforms offer high-quality free eBooks, including classics and public domain works. However, make sure to verify the source to ensure the eBook credibility. Can I read eBooks without an eReader? Absolutely! Most eBook platforms offer webbased readers or mobile apps that allow you to read eBooks on your computer, tablet, or smartphone. How do I avoid digital eye strain while reading eBooks? To prevent digital eye strain, take regular breaks, adjust the font size and background color, and ensure proper lighting while reading eBooks. What the advantage of interactive eBooks? Interactive eBooks incorporate multimedia elements, quizzes, and activities, enhancing the reader engagement and providing a more immersive learning experience. Weight Of Forklift Toyota 25 Manual is one of the best book in our library for free trial. We provide copy of Weight Of Forklift Toyota 25 Manual in digital format, so the resources that you find are reliable. There are also many Ebooks of related with Weight Of Forklift Toyota 25 Manual. Where to download Weight Of Forklift Toyota 25 Manual online for free? Are you looking for Weight Of Forklift Toyota 25 Manual PDF? This is definitely going to save you time and cash in something you should think about. If you trying to find then search around for online. Without a doubt there are numerous these available and many of them have the freedom. However without doubt you receive whatever you purchase. An alternate way to get ideas is always to check another Weight Of Forklift Toyota 25 Manual. This method for see exactly what may be included and adopt these ideas to your book. This site will almost certainly help you save time and effort, money and stress. If you are looking for free books then you really should consider finding to assist you try this. Several of Weight Of Forklift Toyota 25 Manual are for sale to free while some are payable. If you arent sure if the books you would like to download works with for usage along with your computer, it is possible to download free trials. The free guides make it easy for someone to free access online library for download books to your device. You can get free download on free trial for lots of books categories. Our library is the biggest of these that have literally hundreds of thousands of different products categories represented. You will also see that there are specific sites catered to different product types or categories, brands or niches related with Weight Of Forklift Toyota 25 Manual. So depending on what exactly you are searching, you will be able to choose e books to suit your own need. Need to access

completely for Campbell Biology Seventh Edition book? Access Ebook without any digging. And by having access to our ebook online or by storing it on your computer, you have convenient answers with Weight Of Forklift Toyota 25 Manual To get started finding Weight Of Forklift Toyota 25 Manual, you are right to find our website which has a comprehensive collection of books online. Our library is the biggest of these that have literally hundreds of thousands of different products represented. You will also see that there are specific sites catered to different categories or niches related with Weight Of Forklift Toyota 25 Manual So depending on what exactly you are searching, you will be able to choose ebook to suit your own need. Thank you for reading Weight Of Forklift Toyota 25 Manual. Maybe you have knowledge that, people have search numerous times for their favorite readings like this Weight Of Forklift Toyota 25 Manual, but end up in harmful downloads. Rather than reading a good book with a cup of coffee in the afternoon, instead they juggled with some harmful bugs inside their laptop. Weight Of Forklift Toyota 25 Manual is available in our book collection an online access to it is set as public so you can download it instantly. Our digital library spans in multiple locations, allowing you to get the most less latency time to download any of our books like this one. Merely said, Weight Of Forklift Toyota 25 Manual is universally compatible with any devices to read.

Find Weight Of Forklift Toyota 25 Manual :

shop manual 1976 corvette

sheila claydon special edition english edition

sharp lc 32sv29u tvs owners manual

sherman s mississippi campaign

shop manual cat 3408

shepherds staff congregation statistics report

sheet what a wonderful sam cooke

shigley machine design 9th edition

shear press htc manual

shito ryu self defense manual

sheep resource handbook

shop manual bmw f650gs twin

sharp lc 13 sh1u lcd tv original service manual

sharp r 9h84b service manual

shiloh teaching guide

Weight Of Forklift Toyota 25 Manual :

gals tome 04 paperback 4 february 2004 amazon in - Nov 06 2022

web amazon in buy gals tome 04 book online at best prices in india on amazon in read gals tome 04 book reviews author details and more at amazon in free delivery on qualified orders

gals tome 04 mihona fujii librairie eyrolles - Dec 07 2022

web bienvenue dans l univers de koyal le monde des midinettes branchées de tokyo gals nous emmène sur les pas de la jeune ran kotobuki une lycéenne de 16 ans mordue de shopping qui n a qu un but dans la vie porter les dernières fringues les plus en

gals tome 04 le presse papier - Aug 03 2022

web gals tome 04 catalogue littérature littérature générale littérature étrangère livres de poche polars science fiction fantastique romans sentimentaux amour romans historiques récits de voyage humour témoignage histoires vraies

gals tome 04 9782331030864 cultura - Jun 13 2023

web gals tome 04 aux éditions glénat manga bienvenue dans l univers de koyal le monde des midinettes branchées de tokyo gals nous emmène sur les pas de la jeune ran kotobuki une lycéenne de 16 ans mo

gals tome 04 ebook au format epub fixed layout mihona fujii - Sep 04 2022

web apr 3 2023 obtenez le livre gals tome 04 de mihona fujii au format epub fixed layout sur e leclerc

gals tome 04 Éditions glénat - Aug 15 2023

web feb 4 2004 gals nous emmène sur les pas de la jeune ran kotobuki une lycéenne de 16 ans mordue de shopping qui n a qu un but dans la vie porter les dernières fringues les plus en vogue du moment avec ses deux meilleures amies aya et miyu elle cherche toutes les combines possibles pour gagner suffisant

gals tome 04 paperback 4 feb 2004 amazon co uk - Jan 08 2023

web buy gals tome 04 by fujii mihona isbn 9782723442688 from amazon s book store everyday low prices and free delivery on eligible orders

gals tome 04 by amazon ae - Oct 05 2022

web buy gals tome 04 by online on amazon ae at best prices fast and free shipping free returns cash on delivery available on eligible purchase

buy tpb manga gals tome 04 archonia com - Jul 02 2022

web gals nous emmène sur les pas de la jeune ran kotobuki une lycéenne de 16 ans mordue de shopping qui n a qu un but dans la vie porter les dernières fringues les plus en vogue du moment avec ses deux meilleures amies aya et miyu elle

cherche toutes les combines possibles pour gagner suffisant d argent afin d assouvir sa passion

[gals manga myanimelist net](#) - Jan 28 2022

web looking for information on the manga gals find out more with myanimelist the world s most active online anime and manga community and database self styled kogal queen kotobuki ran and her friends just wanna have fun which includes shopping hanging out and scamming meals off gullible guys unfortunately their hood shibuya is in

[gals tome 04 fujii mihona amazon de bücher](#) - Feb 09 2023

web gals tome 04 fujii mihona amazon de bücher weiter ohne zu akzeptieren wählen sie ihre cookie einstellungen wir verwenden cookies und ähnliche tools die erforderlich sind um ihnen einkäufe zu ermöglichen ihr einkaufserlebnis zu verbessern und unsere dienste bereitzustellen dies wird auch in unseren cookie

[vente de gals tome 04 sur votre bd librairie en ligne comicstore](#) - Jun 01 2022

web gals nous emmène sur les pas de la jeune ran kotobuki une lycéenne de 16 ans mordue de shopping qui n a qu un but dans la vie porter les dernières fringues les plus en vogue du moment avec ses deux meilleures amies aya et miyu elle cherche toutes les combines possibles pour gagner suffisant d argent afin d assouvir sa passion

[4 gals tome 04 mihona fujii librairie arbre monde](#) - May 12 2023

web gals nous emmène sur les pas de la jeune ran kotobuki une lycéenne de 16 ans mordue de shopping qui n a qu un but dans la vie porter les dernières fringues les plus en vogue du moment avec ses deux meilleures amies aya et miyu elle cherche toutes les combines possibles pour gagner suffisant d argent afin d assouvir sa passion

gals fnac - Mar 10 2023

web gals tome 4 tome 04 gals bande dessinée broché tome 4 tome 04 fujii mihona 5 5 avec retrait magasin 6 99 3 neufs à 6 99 12

[gals tome 04 french edition kindle comixology amazon de](#) - Mar 30 2022

web jul 5 2017 [gals tome 04 french edition ebook fujii mihona amazon de kindle store](#)

gals tome 4 hicart com - Apr 11 2023

web gals tome 4 mihona fujii glénat

gals tome 4 bdfugue com - Apr 30 2022

web feuillotez un extrait de gals tome 4 de mihona fuji 1ère librairie en ligne spécialisée bd envois rapides et soignés

[gals tome 4 tome 04 gals fujii mihona broché fnac](#) - Jul 14 2023

web gals tome 4 tome 04 gals fujii mihona glénat des milliers de livres avec la livraison chez vous en 1 jour ou en magasin avec 5 de réduction ou téléchargez la version ebook

gals wikipedia - Dec 27 2021

web gals japanese 美少女 hepburn gyaruzu is a manga series written and illustrated by mihona fujii it was published by shueisha and serialized in ribon shōjo manga magazine from 1998 to 2002 the manga was also published in the u s by cmx in 2019 mihona fujii announced that the series will continue from november 5 on shueisha s manga mee

gals tome 04 manga au meilleur prix e leclerc - Feb 26 2022

web gals tome 04 manga achat en ligne au meilleur prix sur e leclerc retrait gratuit dans de 700 magasins

download solutions talmud babilonese trattato qiddushin testo ebraic - Mar 07 2022

web talmud babilonese trattato qiddushin testo ebraic the lehman trilogy dec 04 2021 the novel in verse that inspired the sensational west end and off broadway play the lehman trilogy is the story of a family and a company that changed the world la nazione ebrea a livorno e a pisa 1591 1700 jul 19 2020 from berlin to jerusalem jul 11 2022

talmud babilonese trattato qiddushin testo ebraic martin - Jan 05 2022

web guide talmud babilonese trattato qiddushin testo ebraic as you such as by searching the title publisher or authors of guide you truly want you can discover them rapidly in the house workplace or perhaps in your method can be all best area within net connections if you point toward to download and install the talmud babilonese trattato

talmud babilonese trattato qiddushin testo ebraico a fronte - Jan 17 2023

web talmud babilonese trattato qiddushin testo ebraico a fronte è un libro a cura di riccardo shemuel di segni pubblicato da giuntina acquista su lafeltrinelli a 95 00

talmud babilonese trattato qiddushin testo ebraico a fronte - Aug 24 2023

web may 17 2023 talmud babilonese trattato qiddushin testo ebraico a fronte by r s di segni quello immobiliare e insegnamenti che spaziano dalla filosofia alla medicina dalla matematica alla fisica passando per l astronomia e l talmud babilonese trattato berakhòt testo ebraico a fronte di segni gianf nuovo eur 85 50 talmud babilonese trattato

talmud babilonese trattato qiddushin testo ebraico a fronte - Mar 19 2023

web talmud babilonese trattato qiddushin testo ebraico a fronte è un libro a cura di riccardo shemuel di segni pubblicato da giuntina acquista su ibs a 95 00

talmud babilonese trattato qiddushin testo ebraic juha y - Feb 06 2022

web discover the broadcast talmud babilonese trattato qiddushin testo ebraic that you are looking for it will categorically squander the time however below in the same way as you visit this web page it will be fittingly entirely simple to

talmud babilonese trattato qiddushin testo ebraic joel 1 - Nov 15 2022

web talmud babilonese trattato qiddushin testo ebraic if you ally need such a referred talmud babilonese trattato qiddushin testo ebraic books that will manage to pay for you worth acquire the certainly best seller from us currently from several preferred authors if you desire to droll books lots of novels tale jokes and more fictions

talmud babilonese trattato qiddushin testo ebraic pdf copy - Jul 11 2022

web pdf talmud babilonese trattato qiddushin testo ebraic pdf book review unveiling the magic of language in an electronic digital era where connections and knowledge reign supreme the enchanting power of language has are more apparent than ever its ability to stir emotions provoke thought and instigate transformation is actually remarkable

talmud babilonese trattato qiddushin testo ebraico a fronte - May 09 2022

web guida alla corretta talmud babilonese trattato qiddushin testo ebraico a libri dell editore giuntina libraccio it trattato qiddushin progetto traduzione talmud babilonese mishnah il talmud nella storia universale di cesare cantù talmud babilonese trattato rosh hashanà testo ebraico a editore giuntina

talmud babilonese trattato qiddushin testo ebraico a fronte - Sep 13 2022

web talmud babilonese trattato qiddushin testo ebraico a fronte è un libro di di segni r s cur pubblicato da giuntina nella collana talmud sconto 5 isbn 9788880577980

talmud babilonese trattato qiddushin testo ebraico a fronte - Apr 20 2023

web talmud babilonese trattato qiddushin testo ebraico a fronte è un libro pubblicato da giuntina libraccio it

home progetto traduzione talmud babilonese - Dec 16 2022

web il progetto traduzione talmud babilonese ha come obiettivo la traduzione digitalizzata in lingua italiana del talmud babilonese un testo fondamentale della cultura ebraica non solo in campo religioso ma che tocca ogni aspetto della conoscenza umana dalla giurisprudenza alla scienza dalla filosofia alla vita di tutti i giorni

talmud babilonese trattato qiddushin testo ebraic john van - Jul 23 2023

web babilonese trattato qiddushin testo ebraic but end up in infectious downloads rather than reading a good book with a cup of coffee in the afternoon instead they are facing with some malicious virus inside their computer talmud babilonese trattato qiddushin testo ebraic is available in our digital library an online access to it is set as

talmud babilonese trattato qiddushin testo ebraico a fronte - Jun 10 2022

web talmud babilonese trattato qiddushin testo ebraico a fronte by r s di segni libri in arrivo narrativa saggistica spettacolo il talmud in italiano cronaca di un miracolo linguistico

amazon it talmud babilonese trattato qiddushin testo ebraico - May 21 2023

web scopri talmud babilonese trattato qiddushin testo ebraico a fronte 2 volumi indivisibili di di segni riccardo shemuel spedizione gratuita per i clienti prime e per ordini a partire da 29 spediti da amazon

talmud babilonese trattato qiddushin testo ebraico a fronte - Feb 18 2023

web talmud babilonese trattato qiddushin testo ebraico a fronte con spedizione gratuita 9788880577980 in testi sacri libreria universitaria libro religione religioni e fedi ebraismo testi sacri 95 00 100 00 risparmi 5 00 5 o 3 rate da 31 67 senza interessi

con i spedizione gratuita disponibile in 4 5 giorni lavorativi quantità

talmud babilonese trattato qiddushin testo ebraico a fronte - Aug 12 2022

web jun 11 2023 talmud babilonese trattato qiddushin testo ebraico a fronte by r s di segni rabbi israel wolf slotki 1884 1973 traduttore e curatore del trattato yebamoth dell edizione soncino del talmud babilonese precisa vale a dire che una proselita di età

talmud babilonese trattato qiddushin testo ebraic pdf 2023 - Apr 08 2022

web jul 6 2023 talmud babilonese trattato qiddushin testo ebraic pdf when somebody should go to the book stores search instigation by shop shelf by shelf it is really problematic this is why we allow the book compilations in this website it will entirely ease you to look guide talmud babilonese trattato qiddushin testo ebraic pdf as you

talmud babilonese trattato qiddushin testo ebraic pdf - Oct 14 2022

web jun 13 2023 talmud babilonese trattato qiddushin testo ebraic 1 7 downloaded from uniport edu ng on june 13 2023 by guest talmud babilonese trattato qiddushin testo ebraic as recognized adventure as competently as experience just about lesson amusement as competently

talmud babilonese trattato qiddushin testo ebraico a fronte - Jun 22 2023

web acquista online il libro talmud babilonese trattato qiddushin testo ebraico a fronte di in offerta a prezzi imbattibili su mondadori store

interactive reader plus grade 10 answer key - Jun 12 2022

web interactive reader plus grade 10 answer key free educational articles education com national geographic magazine the interactive reader plus teacher s guide grade 10 9780618310296 mcdougal littel books holt science amp technology california interactive reader may 4th 2018 holt science amp technology california interactive

answers to interactive reader grade 10 survey thecube - Nov 17 2022

web read document online 2018 interactive reader and writer answers grade 10 this pdf file is made up of interactive reader and writer answers grade 10 to enable you to download this interactive reader plus grade 10 answer key interactive reader plus grade 10 answer key title ebooks interactive reader plus grade 10 answer key

interactive reader plus grade 10 answer key pdf blueskywildlife - Apr 22 2023

web aug 11 2023 right here we have countless ebook interactive reader plus grade 10 answer key pdf and collections to check out we additionally find the money for variant types and then type of the books to browse the gratifying book fiction history novel scientific research as without difficulty as various additional sorts of books are readily

interactive reader plus answers grade 10 seminars nyegroup - Aug 14 2022

web the pages of interactive reader plus answers grade 10 a wonderful literary prize overflowing with fresh feelings lies an

immersive symphony waiting to be embraced crafted by a wonderful musician of language this captivating masterpiece conducts visitors on a mental journey skillfully

[interactive reader plus answers grade 10 copy uniport edu](#) - May 11 2022

web aug 20 2023 you could purchase lead interactive reader plus answers grade 10 or get it as soon as feasible you could speedily download this interactive reader plus answers grade 10 after getting deal

[the interactive reader plus grade 8 archive org](#) - Sep 15 2022

web the interactive reader plus grade 8 publication date 2003 topics reading middle school literature study and teaching elementary internet archive language english xiv 450 pages 28 cm grade 8 large print louisville ky american printing house for the blind access restricted item true addeddate 2020 09 05 16 07 05 boxid

[interactive reader plus answers grade 10 pdf pdf support ortax](#) - Feb 08 2022

web interactive reader plus answers grade 10 pdf upload arnold w grant 2 7 downloaded from support ortax org on september 1 2023 by arnold w grant oswaal editorial board 2023 02 03 description of the product 100 updated with latest syllabus

interactive reader plus answers grade 10 2023 - May 23 2023

web interactive reader plus answers grade 10 glencoe literature grade 12 interactive reading workbook dive into close reading strategies for your k 2 classroom potter and perry s fundamentals of nursing second south asia edition e book assessing reading 2 changing practice in classrooms inquiry the key to exemplary science literature

download interactive reader plus answers grade 10 - Jan 19 2023

web nov 29 2020 interactive reader plus grade 10 answer key interactive reader plus grade 10 answer key and numerous book collections from fictions to scientific research in any way in the midst of them is this adapted interactive reader plus grade 10 answer key that can be your partner

interactive reader plus grade 10 answer key - Jul 13 2022

web interactive reader plus grade 10 answer key may 4th 2018 holt science amp technology california interactive reader study guide grade 7 earth science rinehart and winston holt on amazon com free shipping on qualifying 2018 10 2 ten plus two direct instruction variation where the teacher presents for ten minutes students

interactive reader plus grade 10 answer key full pdf - Jun 24 2023

web interactive reader plus grade 10 answer key in a world used by displays and the ceaseless chatter of fast conversation the melodic beauty and emotional symphony

interactive reader plus grade 10 answer key free pdf - Sep 27 2023

web nov 29 2020 answers to interactive reader grade 10 answer key interactive reader 26 answer key science spectrum

answer key continued review 1 possible answers police use radar to track the speed of vehicles air traffic control uses radar to track location and elevation of aircraft 2

the interactive reader language of literature grade 10 - Mar 09 2022

web dec 10 1999 the interactive reader language of literature grade 10 mcdougal littel on amazon com free shipping on qualifying offers the interactive reader language of literature grade 10

interactive reader plus answers grade 10 medair - Apr 10 2022

web in stock ships from and sold by all american textbooks the interactive reader language of literature grade 10 by mcdougal littel paperback 6 50 only 1 left in stock order soon the interactive reader plus grade 9 mcdougal littell 2 3 you could find answers to a 9th grade physics test in the 9th grade physics textbook

get free adapted interactive reader plus grade 10 answer key - Feb 20 2023

web sep 2 2023 vocabulary power plus book heavy grammar ultimate series 180 teaching lessons grade 10 student book vocabulary power plus for the new sat mathematics plus 8 grade 10 answers included language of literature grade 10 the interactive reader plus for english learners vocabulary workshop

interactive reader plus grade 10 answer key free pdf file - Jul 25 2023

web the interactive reader plus 10 mcdougal littell 2003 wordly wise book 10 english grade 11 student workbook answer key american government grade 12 filename curriculum order form hs 12 13 pdf read file online report abuse

interactive reader plus for english learners grade 10 - Dec 18 2022

web jun 23 2005 interactive reader plus for english learners grade 10 mcdougal littel on amazon com free shipping on qualifying offers interactive reader plus for english learners grade 10

where to find interactive reader plus answers for grade 10 answers - Oct 16 2022

web sep 26 2023 that is called rhetorical questions it is used have an affect on the reader it makes the reader answer the question in their heads and really think about it deeply the question is usually

interactive reader plus answers grade 10 pdf download only - Mar 21 2023

web it is your definitely own era to play in reviewing habit among guides you could enjoy now is interactive reader plus answers grade 10 pdf below resources in education 2001 pedagogy in a new tonality peter gouzouasis 2012 01 01 this is a book for teachers by teachers from elementary school to university level classrooms it is about the

the interactive reader plus answer key answers for 2023 exams - Aug 26 2023

web the interactive reader plus answer key answers for 2023 exams interactive reader grade 8 answer key pdf filler fill interactive reader grade 8 answer key edit online sign fax and printable from pc ipad tablet or mobile with pdf filler instantly mylibrary org exam interactive reader plus answer key

