

KwikLoader



2-Line Head - RL450A

Failure to follow the following could result in serious personal injury.

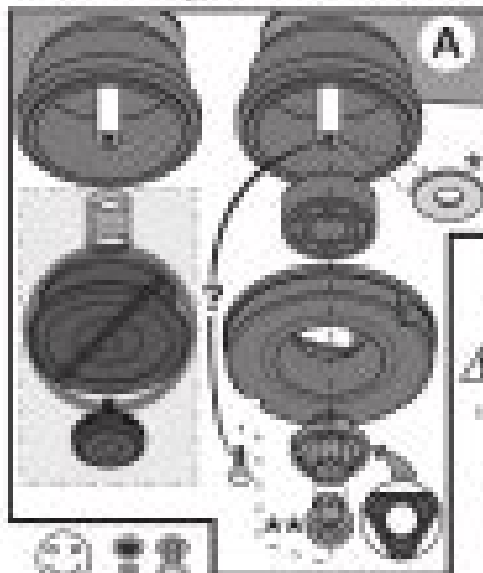
Read and follow all instructions and warnings in your trimmer head manual and trimmer instructions.

Always wear proper safety apparel during trimmer operation.

Keep bystanders away (30-100 ft) during trimmer operation.

Report accident scenarios and foreign objects such as glass, rocks, nails, etc. to all.

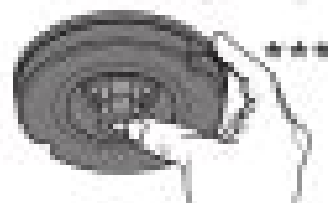
Never handle or change heads in the work zone fuel or running.



1. Remove knife, lock and spring. Do NOT remove outer cap.
2. Make certain the 24" outer diameter outer cap fits and seats.
3. Install the spacer, outside side to trimmer.
4. Select a line that correctly fits your trimmer.
5. Insert the trimmer outer cap into the Kwik Loader head.
6. Make the KwikLock O-Ring slide the gap between the cap and the trimmer outer cap.
7. HOLD THE OUTER CAP AND INSERT THE 24" Kwik Loader head by hand.
8. When tight, placing hand a gap between the outer cap and Kwik Loader head.

IMPORTANT: Do not force through the hole and trimmer shaft, otherwise damage to trimmer may occur.

Illustration is intended for reference purposes only.



WARRANTY

United States Only
 90 Day / Homeowner Use
 30 Day / Commercial Use
 1 Year - 1000 hours operating hours
 Repairing for a limited time or parts found to be defective without a full warranty.

Kwik Products, Inc.

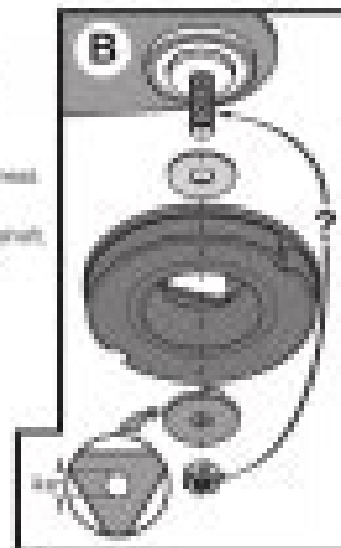
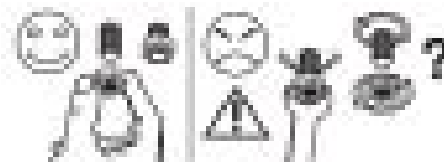
1-888-628-8262, Mon-Fri 10am-5pm EST

www.kwikproducts.com

Poland/Weedator & Sears/Craftsman

1. Remove original head per trimmer manual or instructions.
2. Select the 24" nut that correctly fits your trimmer.
3. Install the large washer between the Kwik Loader head and trimmer shaft.
4. Install the 24" trigger roller as it fits into the Kwik Loader head.
5. Install the 24" nut, tighten securely.

IMPORTANT: Do not force through the nut onto trimmer shaft, otherwise damage to trimmer may occur.

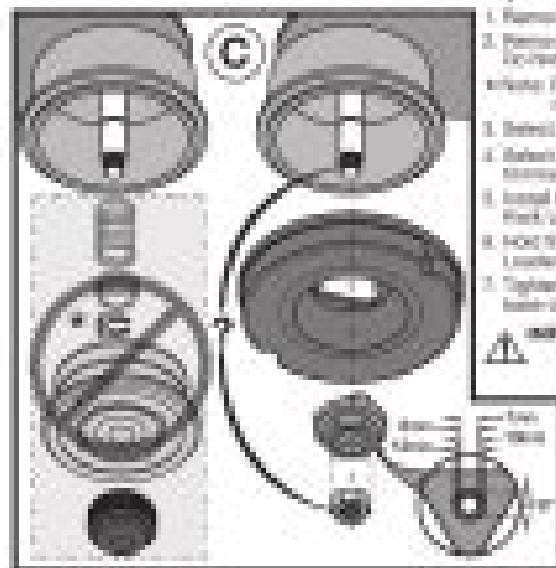


Speed Spool

1. Remove knife and spring.
 2. Remove C-Clip, plastic liner and spring. Do NOT remove outer cap.
- Notes: There may be necessary to remove C-Clip.

1. Select a line that correctly fits your trimmer.
2. Select an angular roller that fits the trimmer shaft and not being used.
3. Install the trigger roller into the Kwik Loader head.
4. HOLD THE OUTER CAP AND INSERT THE 24" Kwik Loader head by hand.
5. Tighten securely by hand and separate both of outer cap.

IMPORTANT: Do not force through the nut onto trimmer shaft, otherwise damage to trimmer may occur.



Kwik Products, Inc.

Weed Wacker Featherlite Manual

K Payea



Weed Wacker Featherlite Manual:

F&S Index United States Annual ,1998 **The Trade Marks Journal** ,1996-02-21 **Consumers Digest** ,2001
Australian Official Journal of Trade Marks ,1997-10 *Hearings* United States. Congress. House,1951 **Hearings**
United States. Congress. House. Committee on the Judiciary,1951 **Study of Monopoly Power** United States. Congress.
House. Committee on the Judiciary,1952 Committee Serial No 12 Considers legislation on retailer manufacturer minimum
price agreements *National Gardening* ,1999 Sports Sponsor Factbook ,1999 **Wallaces Farmer** ,1996
Hardware Buyers Directory ,1952 *MacRae's Blue Book* ,1960 *MacRae's Blue Book and Hendricks' Commercial*
Register ,1958 *Master Service Manual* Poulan/Weed Eater (Firm),White Consolidated Industries,1987 *String Trimmer*
Srv Ed 3 Penton Staff,2000-05-24 String Trimmer and Blower Service Manual for more than 35 popular brands and 500
models **Stihl HS 45 Hedge Trimmer** Stihl,2014 **Wacker HD 3.7** ,1991

The Enigmatic Realm of **Weed Wacker Featherlite Manual**: Unleashing the Language is Inner Magic

In a fast-paced digital era where connections and knowledge intertwine, the enigmatic realm of language reveals its inherent magic. Its capacity to stir emotions, ignite contemplation, and catalyze profound transformations is nothing lacking extraordinary. Within the captivating pages of **Weed Wacker Featherlite Manual** a literary masterpiece penned by way of a renowned author, readers embark on a transformative journey, unlocking the secrets and untapped potential embedded within each word. In this evaluation, we shall explore the book's core themes, assess its distinct writing style, and delve into its lasting impact on the hearts and minds of people who partake in its reading experience.

https://letsgetcooking.org.uk/results/Resources/Download_PDFS/skits%20on%20moses%20and%20the%20isealites.pdf

Table of Contents Weed Wacker Featherlite Manual

1. Understanding the eBook Weed Wacker Featherlite Manual
 - The Rise of Digital Reading Weed Wacker Featherlite Manual
 - Advantages of eBooks Over Traditional Books
2. Identifying Weed Wacker Featherlite Manual
 - Exploring Different Genres
 - Considering Fiction vs. Non-Fiction
 - Determining Your Reading Goals
3. Choosing the Right eBook Platform
 - Popular eBook Platforms
 - Features to Look for in an Weed Wacker Featherlite Manual
 - User-Friendly Interface
4. Exploring eBook Recommendations from Weed Wacker Featherlite Manual
 - Personalized Recommendations
 - Weed Wacker Featherlite Manual User Reviews and Ratings
 - Weed Wacker Featherlite Manual and Bestseller Lists

5. Accessing Weed Wacker Featherlite Manual Free and Paid eBooks
 - Weed Wacker Featherlite Manual Public Domain eBooks
 - Weed Wacker Featherlite Manual eBook Subscription Services
 - Weed Wacker Featherlite Manual Budget-Friendly Options
6. Navigating Weed Wacker Featherlite Manual eBook Formats
 - ePub, PDF, MOBI, and More
 - Weed Wacker Featherlite Manual Compatibility with Devices
 - Weed Wacker Featherlite Manual Enhanced eBook Features
7. Enhancing Your Reading Experience
 - Adjustable Fonts and Text Sizes of Weed Wacker Featherlite Manual
 - Highlighting and Note-Taking Weed Wacker Featherlite Manual
 - Interactive Elements Weed Wacker Featherlite Manual
8. Staying Engaged with Weed Wacker Featherlite Manual
 - Joining Online Reading Communities
 - Participating in Virtual Book Clubs
 - Following Authors and Publishers Weed Wacker Featherlite Manual
9. Balancing eBooks and Physical Books Weed Wacker Featherlite Manual
 - Benefits of a Digital Library
 - Creating a Diverse Reading Collection Weed Wacker Featherlite Manual
10. Overcoming Reading Challenges
 - Dealing with Digital Eye Strain
 - Minimizing Distractions
 - Managing Screen Time
11. Cultivating a Reading Routine Weed Wacker Featherlite Manual
 - Setting Reading Goals Weed Wacker Featherlite Manual
 - Carving Out Dedicated Reading Time
12. Sourcing Reliable Information of Weed Wacker Featherlite Manual
 - Fact-Checking eBook Content of Weed Wacker Featherlite Manual
 - Distinguishing Credible Sources
13. Promoting Lifelong Learning

- Utilizing eBooks for Skill Development
 - Exploring Educational eBooks
14. Embracing eBook Trends
- Integration of Multimedia Elements
 - Interactive and Gamified eBooks

Weed Wacker Featherlite Manual Introduction

In this digital age, the convenience of accessing information at our fingertips has become a necessity. Whether its research papers, eBooks, or user manuals, PDF files have become the preferred format for sharing and reading documents. However, the cost associated with purchasing PDF files can sometimes be a barrier for many individuals and organizations. Thankfully, there are numerous websites and platforms that allow users to download free PDF files legally. In this article, we will explore some of the best platforms to download free PDFs. One of the most popular platforms to download free PDF files is Project Gutenberg. This online library offers over 60,000 free eBooks that are in the public domain. From classic literature to historical documents, Project Gutenberg provides a wide range of PDF files that can be downloaded and enjoyed on various devices. The website is user-friendly and allows users to search for specific titles or browse through different categories. Another reliable platform for downloading Weed Wacker Featherlite Manual free PDF files is Open Library. With its vast collection of over 1 million eBooks, Open Library has something for every reader. The website offers a seamless experience by providing options to borrow or download PDF files. Users simply need to create a free account to access this treasure trove of knowledge. Open Library also allows users to contribute by uploading and sharing their own PDF files, making it a collaborative platform for book enthusiasts. For those interested in academic resources, there are websites dedicated to providing free PDFs of research papers and scientific articles. One such website is Academia.edu, which allows researchers and scholars to share their work with a global audience. Users can download PDF files of research papers, theses, and dissertations covering a wide range of subjects. Academia.edu also provides a platform for discussions and networking within the academic community. When it comes to downloading Weed Wacker Featherlite Manual free PDF files of magazines, brochures, and catalogs, Issuu is a popular choice. This digital publishing platform hosts a vast collection of publications from around the world. Users can search for specific titles or explore various categories and genres. Issuu offers a seamless reading experience with its user-friendly interface and allows users to download PDF files for offline reading. Apart from dedicated platforms, search engines also play a crucial role in finding free PDF files. Google, for instance, has an advanced search feature that allows users to filter results by file type. By specifying the file type as "PDF," users can find websites that offer free PDF downloads on a specific topic. While downloading Weed Wacker Featherlite Manual free PDF files is

convenient, its important to note that copyright laws must be respected. Always ensure that the PDF files you download are legally available for free. Many authors and publishers voluntarily provide free PDF versions of their work, but its essential to be cautious and verify the authenticity of the source before downloading Weed Wacker Featherlite Manual. In conclusion, the internet offers numerous platforms and websites that allow users to download free PDF files legally. Whether its classic literature, research papers, or magazines, there is something for everyone. The platforms mentioned in this article, such as Project Gutenberg, Open Library, Academia.edu, and Issuu, provide access to a vast collection of PDF files. However, users should always be cautious and verify the legality of the source before downloading Weed Wacker Featherlite Manual any PDF files. With these platforms, the world of PDF downloads is just a click away.

FAQs About Weed Wacker Featherlite Manual Books

1. Where can I buy Weed Wacker Featherlite Manual books? Bookstores: Physical bookstores like Barnes & Noble, Waterstones, and independent local stores. Online Retailers: Amazon, Book Depository, and various online bookstores offer a wide range of books in physical and digital formats.
2. What are the different book formats available? Hardcover: Sturdy and durable, usually more expensive. Paperback: Cheaper, lighter, and more portable than hardcovers. E-books: Digital books available for e-readers like Kindle or software like Apple Books, Kindle, and Google Play Books.
3. How do I choose a Weed Wacker Featherlite Manual book to read? Genres: Consider the genre you enjoy (fiction, non-fiction, mystery, sci-fi, etc.). Recommendations: Ask friends, join book clubs, or explore online reviews and recommendations. Author: If you like a particular author, you might enjoy more of their work.
4. How do I take care of Weed Wacker Featherlite Manual books? Storage: Keep them away from direct sunlight and in a dry environment. Handling: Avoid folding pages, use bookmarks, and handle them with clean hands. Cleaning: Gently dust the covers and pages occasionally.
5. Can I borrow books without buying them? Public Libraries: Local libraries offer a wide range of books for borrowing. Book Swaps: Community book exchanges or online platforms where people exchange books.
6. How can I track my reading progress or manage my book collection? Book Tracking Apps: Goodreads, LibraryThing, and Book Catalogue are popular apps for tracking your reading progress and managing book collections. Spreadsheets: You can create your own spreadsheet to track books read, ratings, and other details.
7. What are Weed Wacker Featherlite Manual audiobooks, and where can I find them? Audiobooks: Audio recordings of

books, perfect for listening while commuting or multitasking. Platforms: Audible, LibriVox, and Google Play Books offer a wide selection of audiobooks.

8. How do I support authors or the book industry? Buy Books: Purchase books from authors or independent bookstores. Reviews: Leave reviews on platforms like Goodreads or Amazon. Promotion: Share your favorite books on social media or recommend them to friends.
9. Are there book clubs or reading communities I can join? Local Clubs: Check for local book clubs in libraries or community centers. Online Communities: Platforms like Goodreads have virtual book clubs and discussion groups.
10. Can I read Weed Wacker Featherlite Manual books for free? Public Domain Books: Many classic books are available for free as they're in the public domain. Free E-books: Some websites offer free e-books legally, like Project Gutenberg or Open Library.

Find Weed Wacker Featherlite Manual :

skits on moses and the isrealites

~~shoka t0licircle 0ublieacuttee~~

skybreaker teacher guide

slippery fish felt story templates

skye english edition

sketchbook pro android manual

~~skoda felicia service and repair manual book~~

skilled nursing facility marketing ideas

skoda fabia elektrisk diagram

skoda manual service

skytron amsc0 warming cabinet operator manual

ski-doo xp race manual

slide show movie maker manual

sl30 maintenance manual

skf cmas user manual

Weed Wacker Featherlite Manual :

Discovering French, Nouveau!: Bleu 1, Workbook Our resource for Discovering French, Nouveau!: Bleu 1, Workbook includes answers to chapter exercises, as well as detailed information to walk you through the ... Discovering French, Nouveau!: Bleu 1 - 1st Edition Our resource for Discovering French, Nouveau!: Bleu 1 includes answers to chapter exercises, as well as detailed information to walk you through the process ... Discovering french nouveau bleu 1 workbook answers Discovering french nouveau bleu 1 workbook answers. How to make vertex form from a graph com-2022-01-23T00:00:00+00:01 Subject: Discovering French Nouveau ... Discovering french nouveau blanc workbook answers pdf Discovering french nouveau blanc workbook answers pdf . On this page you can read or download discovering french blanc unite 8 lesson 29 answers in PDF ... Discovering french nouveau bleu unite 3 lecon 8 workbook ... Discovering french nouveau bleu unite 3 lecon 8 workbook answers, Discovering French Unite 1 Lecon 3 Answers As recognized, adventure as with ease as ... Oil Politics: A Modern History of Petroleum Oil politics in the twenty-first century remain fraught with tensions, and this book offers a uniquely accessible guide to understanding this complex but ... A Modern History of Petroleum by Francisco Parra by C Watkins · 2004 · Cited by 1 — Oil Politics - A Modern History of Petroleum by Francisco Parra. (I.B.Tauris, 2004), 364 pages, ISBN 1-86064-977-7. Hardcover. This is a splendid volume ... Oil Politics: A Modern History of Petroleum The politics of oil revolves around its price and the reliability of its suppliers. In turn, many international conflicts in the world today are rooted in ... Oil Politics: A Modern History of Petroleum Nov 21, 2003 — Oil politics in the twenty-first century remain fraught with tensions, and this book offers a uniquely accessible guide to understanding this ... OIL POLITICS - A Modern History of Petroleum Enter OPEC: The Early Years 1960-1968. 6. The Tehran and Tripoli Agreements, 1971. 7. The Struggle for Control, 1971-1973. 8. Importers Take Heed, 1971-1973. Oil politics : a modern history of petroleum "Understanding the politics and most recent history of world oil affords critical insights into the politics of the contemporary world generally. Oil Politics: A Modern History of Petroleum - Parra, Francisco Oil Politics: A Modern History of Petroleum by Parra, Francisco - ISBN 10: 1848851294 - ISBN 13: 9781848851290 - I.B. Tauris - 2009 - Softcover. Oil Politics: A Modern History of Petroleum (Paperback) Dec 1, 2009 — Oil Politics surveys the tumultuous history of the international petroleum industry, from its extraordinary growth between 1950 and 1979, ... Oil Politics: A Modern History of Petroleum - Francisco Parra The politics of oil revolves around its price and the reliability of its suppliers. In turn, many international conflicts in the world today are rooted in ... Oil Politics: A Modern History of Petroleum Oil politics in the twenty-first century remain fraught with tensions, and this book offers a uniquely accessible guide to understanding this complex but ... Form G Practice. 3-6. Compound Inequalities. Write a compound inequality that represents each phrase. Graph the solutions. 1. all real numbers that are less than -3 ... Practice - 3-6 Write a compound inequality that represents each phrase. Graph the solutions. 1. All real numbers that are less than 23 or greater than or equal to 5. Write each set in roster form and in set-builder notation. Write a

compound inequality that represents each phrase. Graph the solutions. 1. all real numbers that are less than -3 or greater than or equal to 5. Key Practice. 3-6. Class. Date. 71. Form G. Compound Inequalities. Write a compound inequality that represents each phrase. Graph the solutions. 1. all real numbers ... Practice 3 6 Form K.pdf Practice. 3-6. Class. Date. Compound Inequalities. Write a compound inequality that represents each phrase. Graph the solutions. 1. All real numbers that are ... 3 6 Practice Compound Inequalities Form G Fill 3 6 Practice Compound Inequalities Form G, Edit online. Sign, fax and printable from PC, iPad, tablet or mobile with pdfFiller Instantly. Try Now! 3-6 Compound Inequalities - YouTube Class Aug 17, 2014 — Class. Date. 1-5. Practice. Solving Inequalities. Write the inequality that represents the sentence. 1. Four less than a number is greater than ... CompoundIneqA1 03 06 PRG 2.pdf - Name Class Date ... NameClassDate 3-6 Practice Form G Write a compound inequality that represents each phrase. Graph the solutions. 1. allrealnumbersthatarelessthan-3orgreater ... 1_6 HW Answers.pdf Aug 20, 2014 — 1-6. Solve each equation. Practice (continued). Absolute Value Equations and Inequalities. Form G. $4-3m=-m-10$. $-2m=-14$. $M=7$. 23. $32x+5=9x-6$. $2x+$...