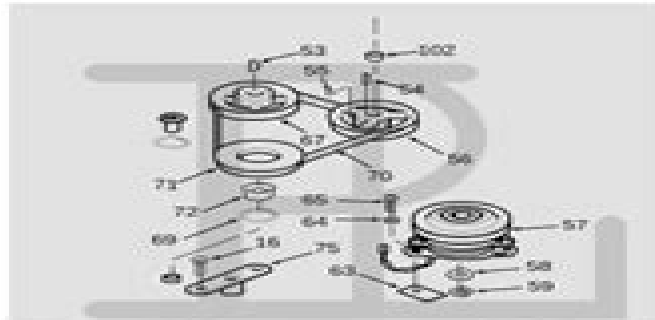


# SCAG

## POWER EQUIPMENT



# MODEL SW

## ILLUSTRATED PARTS LIST

**THIS MANUAL CONTAINS THE ILLUSTRATED PARTS LIST FOR MODELS:**

<b>SW32-13KA</b>	<b>with a serial number of 7300001 to 7309999</b>
<b>SW36A-13KA</b>	<b>with a serial number of 7310001 to 7319999</b>
<b>SW36A-13KH</b>	<b>with a serial number of 7320001 to 7329999</b>
<b>SW36A-15KA</b>	<b>with a serial number of 7330001 to 7339999</b>
<b>SW48A-15KA</b>	<b>with a serial number of 7340001 to 7349999</b>
<b>SW48A-17KA</b>	<b>with a serial number of 7350001 to 7359999</b>
<b>SW52A-17KA</b>	<b>with a serial number of 7360001 to 7369999</b>

# Parts Manual Scag

**Clemens Wendtner**



## Parts Manual Scag:

**Monthly Catalog of United States Government Publications** ,1983      **Cars & Parts** ,1974      City of Sheffield  
(Part 1 of 3) ,      **Monthly Catalogue, United States Public Documents** ,1983      **Regional Comprehensive Plan and**  
**Guide** ,1996      Orange County Centerline Project, Advanced Rail Transit ,1999      **Sharing the Road** Dengbo He,Xiaotong  
Sun,Huan Yu,2025-03-11 With the advancements in sensor and computation technologies connected autonomous vehicle CAV  
services are being tested and deployed on public roads sharing the road with human driven vehicles HVs This brings  
challenges to traffic safety due to uncertainty in HVs behaviors To address these challenges Sharing the Road offers solutions  
to create a safer world where HVs and AVs mix freely on our roads Presented from a team of researchers from different  
domains offering varying perspectives this book systematically summarizes the issues and trends of mixed traffic from the  
micro such as vehicle algorithm design to the macro including traffic flow optimization and policy perspectives Customized  
car following models describing the behaviors of HVs when interacting with CAVs and control algorithms optimizing the  
traffic flow in terms of traffic safety and efficiency are discussed The title also summarizes approaches to model HVs  
behaviors and case studies of real life examples are provided leaving the reader with a detailed vision of the future of a mixed  
traffic world This title will appeal to professionals at any career stage in the fields of human factor engineering traffic  
engineering urban design and vehicle engineering      **Public Works Manual** ,1986      **North Hollywood Arts and**  
**Entertainment District Project** ,2001      *107-2 Hearings: Reauthorization Of TEA-21, S. Hrg. 107-668, Part 1, January 24,*  
*2002, Etc., \** ,2004      **Highway Safety Literature** ,1978      **Scientific and Technical Aerospace Reports** ,1979 Lists  
citations with abstracts for aerospace related reports obtained from world wide sources and announces documents that have  
recently been entered into the NASA Scientific and Technical Information Database      *Forecasting Statewide Freight*  
*Toolkit* Cambridge Systematics,National Cooperative Highway Research Program,2008 Federal planning legislation and  
regulations now mandate that state departments of transportation and metropolitan planning organizations consider the  
needs of freight when planning and programming transportation investments While there are standard techniques used to  
forecast the movement of people less attention has been paid to forecasting freight movements and there are consequently  
fewer standardized techniques that state and local agencies can adapt to their local situation This Toolkit is designed to  
provide transportation planners with the information they need to prepare forecasts of freight transportation by highlighting  
techniques successfully developed by state agencies across the country      *The army list* ,1873      **Los Angeles**  
**Wastewater Facilities** ,1982      1st Street Viaduct and Street Widening Project ,2005      **State Route 22/West Orange**  
**County Connection** ,2003      Psychopharmacology Bulletin ,1966      **San Fernando Valley East- West Transit Corridor**  
**Project** ,2001      *Housing and Planning References* ,1976

Discover tales of courage and bravery in Crafted by is empowering ebook, Unleash Courage in **Parts Manual Scag** . In a downloadable PDF format ( PDF Size: \*), this collection inspires and motivates. Download now to witness the indomitable spirit of those who dared to be brave.

<https://letsgetcooking.org.uk/data/detail/Documents/Repair%20Manual%20For%20Motorguide%20Trolling%20Motors%2037.pdf>

## **Table of Contents Parts Manual Scag**

1. Understanding the eBook Parts Manual Scag
  - The Rise of Digital Reading Parts Manual Scag
  - Advantages of eBooks Over Traditional Books
2. Identifying Parts Manual Scag
  - Exploring Different Genres
  - Considering Fiction vs. Non-Fiction
  - Determining Your Reading Goals
3. Choosing the Right eBook Platform
  - Popular eBook Platforms
  - Features to Look for in an Parts Manual Scag
  - User-Friendly Interface
4. Exploring eBook Recommendations from Parts Manual Scag
  - Personalized Recommendations
  - Parts Manual Scag User Reviews and Ratings
  - Parts Manual Scag and Bestseller Lists
5. Accessing Parts Manual Scag Free and Paid eBooks
  - Parts Manual Scag Public Domain eBooks
  - Parts Manual Scag eBook Subscription Services
  - Parts Manual Scag Budget-Friendly Options

6. Navigating Parts Manual Scag eBook Formats
  - ePub, PDF, MOBI, and More
  - Parts Manual Scag Compatibility with Devices
  - Parts Manual Scag Enhanced eBook Features
7. Enhancing Your Reading Experience
  - Adjustable Fonts and Text Sizes of Parts Manual Scag
  - Highlighting and Note-Taking Parts Manual Scag
  - Interactive Elements Parts Manual Scag
8. Staying Engaged with Parts Manual Scag
  - Joining Online Reading Communities
  - Participating in Virtual Book Clubs
  - Following Authors and Publishers Parts Manual Scag
9. Balancing eBooks and Physical Books Parts Manual Scag
  - Benefits of a Digital Library
  - Creating a Diverse Reading Collection Parts Manual Scag
10. Overcoming Reading Challenges
  - Dealing with Digital Eye Strain
  - Minimizing Distractions
  - Managing Screen Time
11. Cultivating a Reading Routine Parts Manual Scag
  - Setting Reading Goals Parts Manual Scag
  - Carving Out Dedicated Reading Time
12. Sourcing Reliable Information of Parts Manual Scag
  - Fact-Checking eBook Content of Parts Manual Scag
  - Distinguishing Credible Sources
13. Promoting Lifelong Learning
  - Utilizing eBooks for Skill Development
  - Exploring Educational eBooks
14. Embracing eBook Trends
  - Integration of Multimedia Elements

- Interactive and Gamified eBooks

## Parts Manual Scag Introduction

In today's digital age, the availability of Parts Manual Scag books and manuals for download has revolutionized the way we access information. Gone are the days of physically flipping through pages and carrying heavy textbooks or manuals. With just a few clicks, we can now access a wealth of knowledge from the comfort of our own homes or on the go. This article will explore the advantages of Parts Manual Scag books and manuals for download, along with some popular platforms that offer these resources. One of the significant advantages of Parts Manual Scag books and manuals for download is the cost-saving aspect. Traditional books and manuals can be costly, especially if you need to purchase several of them for educational or professional purposes. By accessing Parts Manual Scag versions, you eliminate the need to spend money on physical copies. This not only saves you money but also reduces the environmental impact associated with book production and transportation. Furthermore, Parts Manual Scag books and manuals for download are incredibly convenient. With just a computer or smartphone and an internet connection, you can access a vast library of resources on any subject imaginable. Whether you're a student looking for textbooks, a professional seeking industry-specific manuals, or someone interested in self-improvement, these digital resources provide an efficient and accessible means of acquiring knowledge. Moreover, PDF books and manuals offer a range of benefits compared to other digital formats. PDF files are designed to retain their formatting regardless of the device used to open them. This ensures that the content appears exactly as intended by the author, with no loss of formatting or missing graphics. Additionally, PDF files can be easily annotated, bookmarked, and searched for specific terms, making them highly practical for studying or referencing. When it comes to accessing Parts Manual Scag books and manuals, several platforms offer an extensive collection of resources. One such platform is Project Gutenberg, a nonprofit organization that provides over 60,000 free eBooks. These books are primarily in the public domain, meaning they can be freely distributed and downloaded. Project Gutenberg offers a wide range of classic literature, making it an excellent resource for literature enthusiasts. Another popular platform for Parts Manual Scag books and manuals is Open Library. Open Library is an initiative of the Internet Archive, a non-profit organization dedicated to digitizing cultural artifacts and making them accessible to the public. Open Library hosts millions of books, including both public domain works and contemporary titles. It also allows users to borrow digital copies of certain books for a limited period, similar to a library lending system. Additionally, many universities and educational institutions have their own digital libraries that provide free access to PDF books and manuals. These libraries often offer academic texts, research papers, and technical manuals, making them invaluable resources for students and researchers. Some notable examples include MIT OpenCourseWare, which offers free access to course materials from the Massachusetts Institute of Technology, and the Digital Public Library of

America, which provides a vast collection of digitized books and historical documents. In conclusion, Parts Manual Scag books and manuals for download have transformed the way we access information. They provide a cost-effective and convenient means of acquiring knowledge, offering the ability to access a vast library of resources at our fingertips. With platforms like Project Gutenberg, Open Library, and various digital libraries offered by educational institutions, we have access to an ever-expanding collection of books and manuals. Whether for educational, professional, or personal purposes, these digital resources serve as valuable tools for continuous learning and self-improvement. So why not take advantage of the vast world of Parts Manual Scag books and manuals for download and embark on your journey of knowledge?

### **FAQs About Parts Manual Scag Books**

1. Where can I buy Parts Manual Scag books? Bookstores: Physical bookstores like Barnes & Noble, Waterstones, and independent local stores. Online Retailers: Amazon, Book Depository, and various online bookstores offer a wide range of books in physical and digital formats.
2. What are the different book formats available? Hardcover: Sturdy and durable, usually more expensive. Paperback: Cheaper, lighter, and more portable than hardcovers. E-books: Digital books available for e-readers like Kindle or software like Apple Books, Kindle, and Google Play Books.
3. How do I choose a Parts Manual Scag book to read? Genres: Consider the genre you enjoy (fiction, non-fiction, mystery, sci-fi, etc.). Recommendations: Ask friends, join book clubs, or explore online reviews and recommendations. Author: If you like a particular author, you might enjoy more of their work.
4. How do I take care of Parts Manual Scag books? Storage: Keep them away from direct sunlight and in a dry environment. Handling: Avoid folding pages, use bookmarks, and handle them with clean hands. Cleaning: Gently dust the covers and pages occasionally.
5. Can I borrow books without buying them? Public Libraries: Local libraries offer a wide range of books for borrowing. Book Swaps: Community book exchanges or online platforms where people exchange books.
6. How can I track my reading progress or manage my book collection? Book Tracking Apps: Goodreads, LibraryThing, and Book Catalogue are popular apps for tracking your reading progress and managing book collections. Spreadsheets: You can create your own spreadsheet to track books read, ratings, and other details.
7. What are Parts Manual Scag audiobooks, and where can I find them? Audiobooks: Audio recordings of books, perfect for listening while commuting or multitasking. Platforms: Audible, LibriVox, and Google Play Books offer a wide

selection of audiobooks.

8. How do I support authors or the book industry? Buy Books: Purchase books from authors or independent bookstores. Reviews: Leave reviews on platforms like Goodreads or Amazon. Promotion: Share your favorite books on social media or recommend them to friends.
9. Are there book clubs or reading communities I can join? Local Clubs: Check for local book clubs in libraries or community centers. Online Communities: Platforms like Goodreads have virtual book clubs and discussion groups.
10. Can I read Parts Manual Scag books for free? Public Domain Books: Many classic books are available for free as they're in the public domain. Free E-books: Some websites offer free e-books legally, like Project Gutenberg or Open Library.

### **Find Parts Manual Scag :**

[repair manual for motorguide trolling motors 370](#)

**repair manual for rifle**

*repair manual peugeot 505*

**repair windows 7 installation command prompt**

**repair manual ms 250 stihl**

~~repair mitsubishi multimedia projector~~

[report card early childhood](#)

*repair manual oxbo 6220*

*repair manual mitsubishi pajero pinin*

[report card comments in english and spanish](#)

[repair manual lancer 2008 torrent](#)

[repair manual for isuzu qt 23](#)

*repair manuel for yamaha beartracker*

*report at t dsl problem*

*repair manual for kawasaki gtr 1000*

### **Parts Manual Scag :**

*mon bloc maternelle moyenne section broché collectif fnac - Apr 15 2023*

web mon bloc maternelle moyenne section collectif hachette education des milliers de livres avec la livraison chez vous en 1



jour ou en magasin avec 5 de réduction

*mon bloc toute ma maternelle moyenne section exer copy* - Mar 02 2022

web mon bloc toute ma maternelle moyenne section exer 2 11 downloaded from uniport edu ng on may 6 2023 by guest  
famille la drogue chez les adolescents dans les années quatre vingt et les mésaventures d une fillette prise dans cette  
tourmente chaque paragraphe nous emmène avec suspense au paragraphe suivant

*exercices de moyenne section ma maternelle* - Oct 21 2023

web may 29 2020 il apprendra par le biais des exercices de moyenne section de maternelle à devenir autonome et à  
raisonner de lui même de plus les lettres et les chiffres sont placés au centre du programme afin de préparer au mieux l  
arrivée en primaire

**mon bloc toute ma maternelle moyenne section exer** - Sep 08 2022

web 2 2 mon bloc toute ma maternelle moyenne section exer 2019 09 10 promène au milieu de grands blocs de h l m de la  
banlieue parisienne un chapelet de frères et soeurs et une

[mon bloc toute ma maternelle moyenne section exer pdf](#) - Jan 12 2023

web may 2 2023 mon bloc fiches moyenne section guy blandino 2011 des fiches à emporter partout pour s entraîner comme  
à l école tout le programme de la moyenne section de maternelle en 44 fiches en couleurs avec au recto un exercice de  
lecture

**mon bloc toute ma maternelle petite section decitre** - Feb 13 2023

web jun 27 2007 mon bloc toute ma maternelle petite section exercices et jeux de guy blandino Éditeur hachette education  
livraison gratuite à 0 01 dès 35 d achat librairie decitre votre prochain livre est là

*mon bloc toute ma maternelle moyenne section exer kathe* - May 16 2023

web mon bloc toute ma maternelle moyenne section exer is available in our book collection an online access to it is set as  
public so you can download it instantly our books collection hosts in multiple locations allowing you to get the most less  
latency time to download any of our books like this one

**mon bloc toute ma maternelle moyenne section exer pdf book** - Jun 17 2023

web mar 22 2023 mon bloc toute ma maternelle moyenne section guy blandino 2007 06 27 tout le programme de la  
moyenne section de maternelle en 44 fiches en couleurs avec au recto un exercice de lecture d écriture de maths ou un jeu

**mon bloc toute ma maternelle moyenne section exercices et** - Aug 19 2023

web this mon bloc toute ma maternelle moyenne section exercices et jeux by guy blandino as one of the predominant  
operational sellers here will thoroughly be paired with by the best options to review it is your absolutely own mature to  
demonstrate examining routine

*mon bloc toute ma maternelle moyenne section exer copy* - Apr 03 2022

web mon bloc toute ma maternelle moyenne section exer 3 3 mon bloc toute ma maternelle moyenne section hachette education tout le programme de la moyenne section de maternelle en 44 fiches en couleurs avec au recto un exercice de lecture d écriture de maths ou un jeu découverte au verso une activité un coloriage un

*online read ebook toute ma maternelle grande section* - May 04 2022

web nov 16 2023 caractéristiques toute ma maternelle grande section guy blandino nb de pages 95 format pdf epub mobi fb2 isbn 9782017117438 editeur hachette education date de parution 2020 livres numériques téléchargeables gratuitement pour les lecteurs mp3 toute ma maternelle grande section pdb rtf fb2 9782017117438

**mon bloc toute ma maternelle moyenne section exercices et** - Sep 20 2023

web mon bloc maternelle 5 5 95 mes jeux de vacances ms vers la gs 5 90 je dessine et j écris 15 00 mon cahier d activités cars mon cahier maternelle toute petite section tout le programme 2 3 ans coloriage maternelle moyenne section de corinne couverture toute ma maternelle tout le programme petite section hachette education hachette

**mon bloc toute ma maternelle petite section exerc copy** - Jun 05 2022

web mon bloc toute ma maternelle petite section exerc exercices sur la physique avec l indication des solutions deuxième édition may 05 2021 maternelle moyenne section cahier exercice petite section cahier petite section livre petite

**pdf mon bloc toute ma maternelle petite section exerc** - Mar 14 2023

web toute ma maternelle moyenne section 4 5 ans mar 11 2023 des activités ludiques et variées spécialement conçues par des enseignants de maternelle pour consolider les apprentissages fondamentaux

mon bloc toute ma maternelle grande section exerc 2023 - Aug 07 2022

web grande section mar 15 2023 toute ma grande section de maternelle nov 30 2021 en compagnie des copains de la forêt un livre complet avec des images des leçons et des activités pour apprendre et s amuser comme à l école tout au long de l année ma valisette d activités maternelle dec 08 2019

*mon bloc toute ma maternelle moyenne section exercices et jeux* - Jul 18 2023

web tout le programme de la moyenne section de maternelle en 44 fiches en couleurs avec au recto un exercice de lecture d écriture de maths ou un jeu découverte au verso une activité un coloriage un dessin ou des lignes à compléter en bas de page des conseils et des suggestions aux parents pour accompagner l enfant des exercices

**download solutions mon bloc toute ma maternelle moyenne section exer** - Jul 06 2022

web mon bloc toute ma maternelle moyenne section exer download free mon bloc toute ma maternelle moyenne section may 16 2022 web jan 9 2023 4728469 mon bloc toute ma maternelle moyenne section exer 2 8 downloaded from subscribe redhanger com on by guest the fields of anthropology mon bloc toute ma maternelle moyenne section

**mon bloc toute ma maternelle moyenne section exer pdf** - Nov 10 2022

web mon bloc toute ma maternelle moyenne section exer penser l architecture mon bloc fiches petite section théo l artiste réminiscences par j j coulmann ancien maître des requêtes en service ordinaire au conseil d état ancien député etc les oiseaux d eau sur la rive du lac vivre mourir vivre a nouveau double empreinte jeu de société 1

**mon bloc toute ma maternelle moyenne section exer 2023** - Oct 09 2022

web mon bloc toute ma maternelle moyenne section exer mon bloc toute ma maternelle moyenne section exer 2 downloaded from sgsbenelux internalpublications com on 2021 04 28 by guest pour accompagner l enfant des exercices simples et progressifs conformes aux programmes pour apprendre tout en s amusant un repérage immédiat grâce aux

**mon bloc toute ma maternelle moyenne section exer pdf pdf** - Dec 11 2022

web le cas de la recherche sur les pratiques enseignantes à l école maternelle en communauté française de belgique marie pierre trinquier pratiques verbales éducatives et représentations une illustration en crèche et petite section

**hyundai haynes car truck repair manuals literature ebay** - Apr 13 2023

web get the best deal for hyundai haynes car truck repair manuals literature from the largest online selection at ebay com sg browse our daily deals for even more savings free shipping on many items

**haynes car manual for sale ebay** - Apr 01 2022

web auction buy it now 1 700 results for haynes car manual save this search update your shipping location shop on ebay brand new 20 00 or best offer sponsored what are you looking for cars trucks parts accessories buick oldsmobile pontiac 1985 2005 full size fwd models haynes car manual book new other 20 product ratings

**haynes car manuals ebay** - May 02 2022

web sep 24 2022 dispatched with royal mail ford fiesta car manual 89 to 95 i have many more so if its a different one you are looking for please message me and ill see if i have it bundles available

*manuals handbooks haynes car manuals and literature ebay* - Nov 08 2022

web buy manuals handbooks haynes car manuals and literature and get the best deals at the lowest prices on ebay great savings free delivery collection on many items

**haynes car truck service repair manuals ebay** - Mar 12 2023

web get the best deals on haynes car truck service repair manuals shop with afterpay on eligible items free delivery and returns on ebay plus items for plus members shop today

**4 600 results for haynes car manual ebay** - Oct 07 2022

web tell us about your vehicle to find the right parts faster vauxhall opel insignia petrol diesel 2008 17 08 17 haynes online car manual

[3 500 results for haynes car manuals ebay](#) - Sep 06 2022

web tell us about your vehicle to find the right parts faster new listing haynes car manual fiat punto 1994 to oct 1999 petrol diesel new sealed

[haynes workshop manuals car manuals and literature for sale ebay](#) - Dec 09 2022

web buy haynes workshop manuals car manuals and literature and get the best deals at the lowest prices on ebay great savings free delivery collection on many items

**haynes car manuals and literature for sale ebay** - May 14 2023

web buy haynes car manuals and literature and get the best deals at the lowest prices on ebay great savings free delivery collection on many items

**haynes 656 toyota pick ups 4 runner 1979 thru 1992 automotive ebay** - Feb 28 2022

web this automotive repair manual is designed for toyota pick ups and 4 runner models manufactured between 1979 and 1992 it contains detailed information on maintenance repair and troubleshooting of various aspects such as the engine transmission and electrical system margin top 0 margin bottom 0 additionally the manual comes

[haynes car manuals ebay](#) - Jan 10 2023

web dec 4 2022 find many great new used options and get the best deals for haynes car manuals at the best online prices at ebay free shipping for many products

**haynes car service repair manuals for sale ebay** - Aug 17 2023

web buy haynes car service repair manuals and get the best deals at the lowest prices on ebay great savings free delivery collection on many items

**haynes car truck repair manuals literature for sale ebay** - Jun 15 2023

web get the best deals on haynes car truck repair manuals literature when you shop the largest online selection at ebay com free shipping on many items browse your favorite brands affordable prices

[4 100 results for haynes auto manuals ebay](#) - Jul 04 2022

web tell us about your vehicle to find the right parts faster haynes car manual lada 1974 1991 opens in a new window or tab

[haynes haynes car truck repair manuals literature ebay](#) - Feb 11 2023

web get the best deals on haynes haynes car truck repair manuals literature when you shop the largest online selection at ebay com free shipping on many items browse your favorite brands affordable prices

[haynes online repair manuals ebay stores](#) - Jul 16 2023 <**rebel angels youtube** - Nov 06 2022

web rebel angels plays classic rock in the purest tradition of the 80 s our first ep rip it off is now on spotify and you can buy a copy on our website rebelangelsgang com enjoy and stay hard

**hunter rebel angels rise full album youtube** - Feb 26 2022

web sep 6 2023 artist hunteralbum rebel angels risegenre heavy metalcountry belgiumyear 2023rebel angels rise tracklist 1 wicked 00 00 2 the forge 03 24 3 rebel ange

rebel angels the complete paranormal romance series - Jul 02 2022

web aug 1 2019 this box set includes all five books in the rebel angels series by usa today bestselling author rosemary a johns and is over 1 500 pages of thrilling magic enemies to lovers dark desires fated mates who are shifters gods vampires and angels and suspense with twists that you ll never see coming

rebel angels spotify - Dec 27 2021

web listen to rebel angels on spotify artist 9 monthly listeners

*screamin rebel angels youtube* - Oct 05 2022

web screamin rebel angels unrelenting and infectious original rock n roll has kept the dance floors pulsing and roofs rattling across stages airwaves and turntables around the globe since 2011

rebel tarot youtube - Apr 30 2022

web i can also work with you on your manifestation loa techniques or help you explore your psychic abilities thank you for joining the rebel angels community light love peace and strength

*the fall of the rebel angels google arts culture* - Sep 04 2022

web the fall of the rebel angels by pieter bruegel the elder is one of the masterpieces at the royal museums of fine arts of belgium the royal museums acquired the painting in 1846 thinking it was

the fall of the rebel angels by pieter bruegel the elder a look - Mar 30 2022

web jul 7 2023 the fall of the rebel angels 1562 by pieter bruegel the elder pieter brueghel the elder public domain via wikimedia commons subject matter visual description the fall of the rebel angels by pieter bruegel the elder depicts a lively scene filled with a variety of animalistic creatures and figures being slain by angels upon

**who are the rebel angels and why it matters reality sandwich** - Dec 07 2022

web the term rebel angels covers a broad category of those angels seraphim and cherubim who aligned themselves with lucifer at the time of the angelic rebellion

pieter bruegel the elder fall of the rebel angels - Aug 03 2022

web pieter bruegel the elder fall of the rebel angels is the first comprehensive book on one of the most cherished renaissance masterpieces in the collection of the royal museums of fine arts of belgium

fallen angel wikipedia - Mar 10 2023

web fallen angels are angels who were expelled from heaven the literal term fallen angel does not appear in any abrahamic

religious texts but is used to describe angels cast out of heaven 1 or angels who sinned such angels often tempt humans to sin fountain of the fallen angel 1877 by ricardo bellver retiro park madrid spain

*the fall of the rebel angels pieter bruegel the elder google* - Jan 28 2022

web details title the fall of the rebel angels creator pieter bruegel the elder creator lifespan 1525 30 brussels 1569 creator s place of death brussels creator s place of birth

rebel angels sports gymnastics parkour acrobatics rebel angels - Feb 09 2023

web welcome to rebel angels gymnastics academy we are more than just a training facility our experienced instructors and modern equipment offer top quality programs in gymnastics parkour acrobatics designed to help

the fall of the rebel angels wikipedia - May 12 2023

web the fall of the rebel angels is an oil on panel painting of 1562 by the netherlandish renaissance artist pieter bruegel the elder the painting is 117cm x 162cm 46 inches by 64 inches and is now in the royal museums of fine arts of belgium in brussels belgium

**war in heaven wikipedia** - Apr 11 2023

web christianity portal v t e the fall of the rebel angels left hand panel of hieronymus bosch s the haywain triptych c 1500 illustration by gustave doré for john milton s paradise lost depicting angels fighting against fallen angels

**the rebel angels wikipedia** - Aug 15 2023

web the rebel angels is canadian author robertson davies s most noted novel citation needed after those that form his deptford trilogy first published by macmillan of canada in 1981 the rebel angels is the first of the three connected novels of *rebel angels gemma doyle 2 by libba bray goodreads* - Jun 01 2022

web dec 26 2004 i enjoyed rebel angels just as much as i did its predecessor a great and terrible beauty in this book bray continues exploring constraints of victorian society and their suffocating effects on young women s lives

**rebel angels the gemma doyle trilogy book 2 amazon com** - Jan 08 2023

web dec 26 2006 rebel angels the gemma doyle trilogy book 2 paperback december 26 2006 gemma doyle is looking forward to a holiday from spence academy spending time with her friends in the city attending balls in fancy gowns with plunging necklines and dallying with the handsome lord denby

**rebel angels wikipedia** - Jun 13 2023

web rebel angels may refer to the rebel angels a 1981 novel by robertson davies rebel angels 25 poets of the new formalism a 1996 poetry anthology rebel angels a 2006 fantasy novel by libba bray rebel angels a theme in

**rebel angels novel wikipedia** - Jul 14 2023

web rebel angels is the second book in a fantasy trilogy by libba bray it is the sequel to a great and terrible beauty and

continues the story of gemma doyle a girl in the late 19th century with the power of second sight the novel follows gemma and her friends felicity and ann during their winter break from school