

140

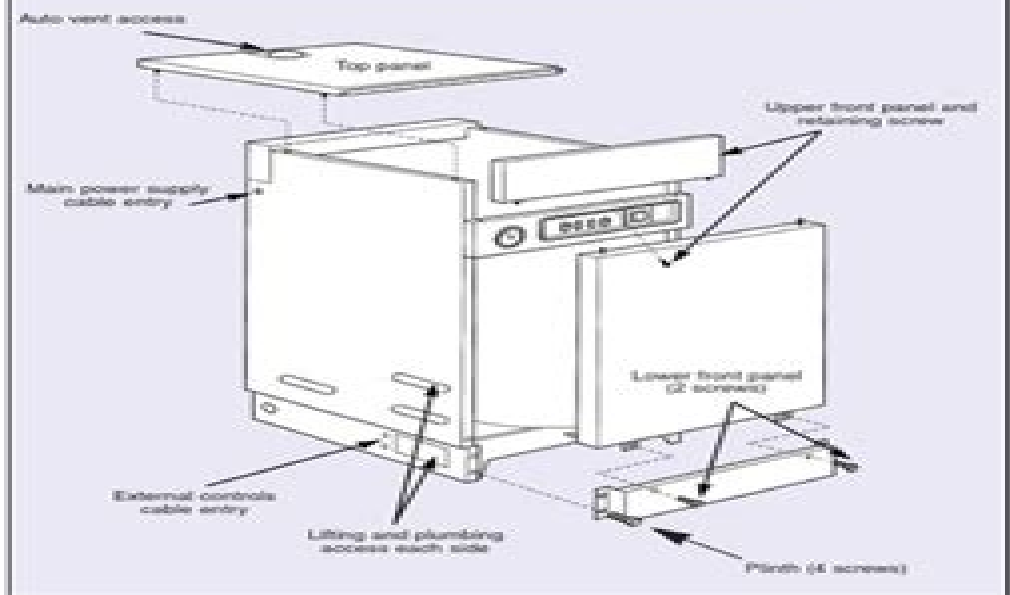
Guide to panel removal

155x

benchmark
*the world of products for the installation, commissioning
 & servicing of central heating systems*

BAXI POTTERTON
 BROWNEDGE ROAD
 BANER BRIDGE
 PRESTON PR5 6SN
 (Technical Helpline) TEL 0870 606 0955
 (Service) TEL 0870 606 0933 FAX 0870 606 0966
 (Spares) TEL 0870 6060454

"Powermax" is a trademark of Baxi Group Ltd



Powermax 155x Manual

L Cohen



Powermax 155x Manual:

Unveiling the Magic of Words: A Overview of "**Powermax 155x Manual**"

In a world defined by information and interconnectivity, the enchanting power of words has acquired unparalleled significance. Their capability to kindle emotions, provoke contemplation, and ignite transformative change is actually awe-inspiring. Enter the realm of "**Powermax 155x Manual**," a mesmerizing literary masterpiece penned by a distinguished author, guiding readers on a profound journey to unravel the secrets and potential hidden within every word. In this critique, we shall delve into the book's central themes, examine its distinctive writing style, and assess its profound effect on the souls of its readers.

https://letsgetcooking.org.uk/book/uploaded-files/HomePages/Recipe_For_Kfc_Biscuits.pdf

Table of Contents Powermax 155x Manual

1. Understanding the eBook Powermax 155x Manual
 - The Rise of Digital Reading Powermax 155x Manual
 - Advantages of eBooks Over Traditional Books
2. Identifying Powermax 155x Manual
 - Exploring Different Genres
 - Considering Fiction vs. Non-Fiction
 - Determining Your Reading Goals
3. Choosing the Right eBook Platform
 - Popular eBook Platforms
 - Features to Look for in an Powermax 155x Manual
 - User-Friendly Interface
4. Exploring eBook Recommendations from Powermax 155x Manual
 - Personalized Recommendations
 - Powermax 155x Manual User Reviews and Ratings
 - Powermax 155x Manual and Bestseller Lists

-
5. Accessing Powermax 155x Manual Free and Paid eBooks
 - Powermax 155x Manual Public Domain eBooks
 - Powermax 155x Manual eBook Subscription Services
 - Powermax 155x Manual Budget-Friendly Options
 6. Navigating Powermax 155x Manual eBook Formats
 - ePub, PDF, MOBI, and More
 - Powermax 155x Manual Compatibility with Devices
 - Powermax 155x Manual Enhanced eBook Features
 7. Enhancing Your Reading Experience
 - Adjustable Fonts and Text Sizes of Powermax 155x Manual
 - Highlighting and Note-Taking Powermax 155x Manual
 - Interactive Elements Powermax 155x Manual
 8. Staying Engaged with Powermax 155x Manual
 - Joining Online Reading Communities
 - Participating in Virtual Book Clubs
 - Following Authors and Publishers Powermax 155x Manual
 9. Balancing eBooks and Physical Books Powermax 155x Manual
 - Benefits of a Digital Library
 - Creating a Diverse Reading Collection Powermax 155x Manual
 10. Overcoming Reading Challenges
 - Dealing with Digital Eye Strain
 - Minimizing Distractions
 - Managing Screen Time
 11. Cultivating a Reading Routine Powermax 155x Manual
 - Setting Reading Goals Powermax 155x Manual
 - Carving Out Dedicated Reading Time
 12. Sourcing Reliable Information of Powermax 155x Manual
 - Fact-Checking eBook Content of Powermax 155x Manual
 - Distinguishing Credible Sources
 13. Promoting Lifelong Learning

-
- Utilizing eBooks for Skill Development
 - Exploring Educational eBooks
14. Embracing eBook Trends
- Integration of Multimedia Elements
 - Interactive and Gamified eBooks

Powermax 155x Manual Introduction

Free PDF Books and Manuals for Download: Unlocking Knowledge at Your Fingertips In today's fast-paced digital age, obtaining valuable knowledge has become easier than ever. Thanks to the internet, a vast array of books and manuals are now available for free download in PDF format. Whether you are a student, professional, or simply an avid reader, this treasure trove of downloadable resources offers a wealth of information, conveniently accessible anytime, anywhere. The advent of online libraries and platforms dedicated to sharing knowledge has revolutionized the way we consume information. No longer confined to physical libraries or bookstores, readers can now access an extensive collection of digital books and manuals with just a few clicks. These resources, available in PDF, Microsoft Word, and PowerPoint formats, cater to a wide range of interests, including literature, technology, science, history, and much more. One notable platform where you can explore and download free Powermax 155x Manual PDF books and manuals is the internet's largest free library. Hosted online, this catalog compiles a vast assortment of documents, making it a veritable goldmine of knowledge. With its easy-to-use website interface and customizable PDF generator, this platform offers a user-friendly experience, allowing individuals to effortlessly navigate and access the information they seek. The availability of free PDF books and manuals on this platform demonstrates its commitment to democratizing education and empowering individuals with the tools needed to succeed in their chosen fields. It allows anyone, regardless of their background or financial limitations, to expand their horizons and gain insights from experts in various disciplines. One of the most significant advantages of downloading PDF books and manuals lies in their portability. Unlike physical copies, digital books can be stored and carried on a single device, such as a tablet or smartphone, saving valuable space and weight. This convenience makes it possible for readers to have their entire library at their fingertips, whether they are commuting, traveling, or simply enjoying a lazy afternoon at home. Additionally, digital files are easily searchable, enabling readers to locate specific information within seconds. With a few keystrokes, users can search for keywords, topics, or phrases, making research and finding relevant information a breeze. This efficiency saves time and effort, streamlining the learning process and allowing individuals to focus on extracting the information they need. Furthermore, the availability of free PDF books and manuals fosters a culture of continuous learning. By removing financial barriers, more people can access educational resources and pursue lifelong learning, contributing to personal

growth and professional development. This democratization of knowledge promotes intellectual curiosity and empowers individuals to become lifelong learners, promoting progress and innovation in various fields. It is worth noting that while accessing free Powermax 155x Manual PDF books and manuals is convenient and cost-effective, it is vital to respect copyright laws and intellectual property rights. Platforms offering free downloads often operate within legal boundaries, ensuring that the materials they provide are either in the public domain or authorized for distribution. By adhering to copyright laws, users can enjoy the benefits of free access to knowledge while supporting the authors and publishers who make these resources available. In conclusion, the availability of Powermax 155x Manual free PDF books and manuals for download has revolutionized the way we access and consume knowledge. With just a few clicks, individuals can explore a vast collection of resources across different disciplines, all free of charge. This accessibility empowers individuals to become lifelong learners, contributing to personal growth, professional development, and the advancement of society as a whole. So why not unlock a world of knowledge today? Start exploring the vast sea of free PDF books and manuals waiting to be discovered right at your fingertips.

FAQs About Powermax 155x Manual Books

What is a Powermax 155x Manual PDF? A PDF (Portable Document Format) is a file format developed by Adobe that preserves the layout and formatting of a document, regardless of the software, hardware, or operating system used to view or print it. **How do I create a Powermax 155x Manual PDF?** There are several ways to create a PDF: Use software like Adobe Acrobat, Microsoft Word, or Google Docs, which often have built-in PDF creation tools. Print to PDF: Many applications and operating systems have a "Print to PDF" option that allows you to save a document as a PDF file instead of printing it on paper. Online converters: There are various online tools that can convert different file types to PDF. **How do I edit a Powermax 155x Manual PDF?** Editing a PDF can be done with software like Adobe Acrobat, which allows direct editing of text, images, and other elements within the PDF. Some free tools, like PDFescape or Smallpdf, also offer basic editing capabilities. **How do I convert a Powermax 155x Manual PDF to another file format?** There are multiple ways to convert a PDF to another format: Use online converters like Smallpdf, Zamzar, or Adobe Acrobats export feature to convert PDFs to formats like Word, Excel, JPEG, etc. Software like Adobe Acrobat, Microsoft Word, or other PDF editors may have options to export or save PDFs in different formats. **How do I password-protect a Powermax 155x Manual PDF?** Most PDF editing software allows you to add password protection. In Adobe Acrobat, for instance, you can go to "File" -> "Properties" -> "Security" to set a password to restrict access or editing capabilities. Are there any free alternatives to Adobe Acrobat for working with PDFs? Yes, there are many free alternatives for working with PDFs, such as: LibreOffice: Offers

PDF editing features. PDFsam: Allows splitting, merging, and editing PDFs. Foxit Reader: Provides basic PDF viewing and editing capabilities. How do I compress a PDF file? You can use online tools like Smallpdf, ILovePDF, or desktop software like Adobe Acrobat to compress PDF files without significant quality loss. Compression reduces the file size, making it easier to share and download. Can I fill out forms in a PDF file? Yes, most PDF viewers/editors like Adobe Acrobat, Preview (on Mac), or various online tools allow you to fill out forms in PDF files by selecting text fields and entering information. Are there any restrictions when working with PDFs? Some PDFs might have restrictions set by their creator, such as password protection, editing restrictions, or print restrictions. Breaking these restrictions might require specific software or tools, which may or may not be legal depending on the circumstances and local laws.

Find Powermax 155x Manual :

recipe for kfc biscuits

[recipe for potato wedges](#)

recipe for lemon chicken breast

~~recipe for original pancakes~~

recipe for roast pork in

recipe from betty crocker cookbook

recipe for pineapple sorbet

recipe for veal with chicken livers

[recipe for joes stuff](#)

recipe for mexican dishes

recipe for peanut butter chow noodles

recipe for sauteed summer squash

~~recipe golden cadillae~~

[recipe for pomegranate cookies](#)

~~recipe for mexican deviled eggs~~

Powermax 155x Manual :

unlock the answers prentice hall earth science answer key - May 28 2023

web with the prentice hall earth science answer key students can check their understanding and track their progress as they

delve into topics such as the earth's structure plate tectonics weather and climate patterns and the dynamic interactions between land

prentice hall earth science section assessment answers - Jul 18 2022

web now is prentice hall earth science section assessment answers below science explorer sound and light michael j padilla 2009 focus on earth science 2001 addison wesley science insights 1996 prentice hall earth science edward j tarbuck 2009 renowned authors edward tarbuck and frederick lutgens invite students on a

prentice hall earth science assessment answer key pdf - Jun 16 2022

web prentice hall earth science assessment answer key 3 3 prentice hall earth science assessment answer key downloaded from eagldemo2 eagltechnology.com by guest kenyon lane foundations of earth science prentice hall remote sensing data and models from the national aeronautics and space administration nasa are the basis for

science explorer earth science 1st edition solutions and answers - Oct 01 2023

web our resource for science explorer earth science includes answers to chapter exercises as well as detailed information to walk you through the process step by step with expert solutions for thousands of practice problems you can take the guesswork out of studying and move forward with confidence

prentice hall earth science online textbook help final exam - Feb 22 2023

web test and improve your knowledge of prentice hall earth science online textbook help with fun multiple choice exams you can take online with study.com for teachers for schools for working scholars

prentice hall earth science assessment answer key - May 16 2022

web decoding prentice hall earth science assessment answer key revealing the captivating potential of verbal expression in a time characterized by interconnectedness and an insatiable

prentice hall science explorer earth science flashcards quizlet - Dec 23 2022

web the exact age the number of years since the rock was formed law of superposition this is used to find the relative ages of sedimentary rock layer higher layers of rock are younger than the rock below it extrusion lava that hardens on the surface this is always younger than the rocks below it

prentice hall earth science chapter 4 assessment answers - Feb 10 2022

web prentice hall earth science chapter 4 assessment answers links get prentice hall earth science chapter 4 assessment answers hot environmental science your world your turn is rich with assessment when students take the assessments online in the pearson realize free prentice hall earth science chapter 4 assessment

earth science 1st edition solutions and answers quizlet - Aug 31 2023

web now with expert verified solutions from earth science 1st edition you'll learn how to solve your toughest homework

problems our resource for earth science includes answers to chapter exercises as well as detailed information to [prentice hall earth science chapter 1 flashcards quizlet](#) - Mar 26 2023

web prentice hall earth science chapter 1 term 1 20 earth science click the card to flip definition 1 20 the name for all sciences that collectively seek to understand earth in includes geology oceanography meteorology and astronomy click the card to flip

[prentice hall earth science assessment answers prentice hall](#) - Mar 14 2022

web it is your totally own era to proceed reviewing habit along with guides you could enjoy now is prentice hall earth science assessment answers below prentice hall scientific learning system prentice hall staff 1994 science explorer sound and light michael j padilla 2009 prentice hall earth science edward j tarbuck 2009

[earth science the physical setting answer key by prentice hall goodreads](#) - Oct 21 2022

web jan 1 2012 read reviews from the world s largest community for readers undefined

[prentice hall earth science chapter tests and answer](#) - Nov 21 2022

web sep 15 2007 a guide to the regents high school examination for physical setting earth science the most current earth science reference tables end of chapter assessment pages that cover the key concepts and highlight items similar to

[prentice hall earth science section assessment answers](#) - Sep 19 2022

web of this prentice hall earth science section assessment answers by online you might not require more grow old to spend to go to the book introduction as without difficulty as search for them in some cases you likewise pull off not discover the revelation prentice hall earth science section assessment answers that you are looking for

prentice hall earth science online textbook help study com - Apr 26 2023

web oct 26 2023 identify the lessons in your prentice hall earth science textbook with which you need help find the corresponding chapter within our prentice hall earth science textbook companion course

prentice hall earth science chapter tests with answer key - Aug 19 2022

web jan 1 2005 2006 prentice hall earth science chapter tests with answer key p key features each comprehensive chapter test includes multiple choice and short answer item formats earth as a system essay items for each chapter measure your students understanding of earth s interacting spheres isbn 13 9780131259102

[chapter assessment answers prentice hall earth science](#) - Apr 14 2022

web earth s changing surface michael j padilla 2002 prentice hall earth science charles r coble 1987 exploring planet earth 1997 exploring earth science julia johnson 2015 02 06 exploring earth science by reynolds johnson is an innovative textbook intended for an introductory college geology course such as earth science this ground

prentice hall science explorer inside earth quizlet - Jul 30 2023

web now with expert verified solutions from prentice hall science explorer inside earth 1st edition you ll learn how to solve your toughest homework problems our resource for prentice hall science explorer inside earth includes answers to chapter exercises as well as detailed information to walk you through the process step by step

[chapter 21 prentice hall earth science flashcards quizlet](#) - Jan 24 2023

web terms in this set 22 region between 23 5 degrees north and 23 5 degrees south of the equator the sun s rays are most intense and the temperatures are always warm is between 66 5 degrees north and south latitudes and the poles the energy strikes at an even smaller angle causing the light and heat to spread out over an even larger area

prentice hall brief review earth science the physical quizlet - Jun 28 2023

web find step by step solutions and answers to prentice hall brief review earth science the physical setting 2018

9780328988525 as well as thousands of textbooks so you can move forward with confidence hello quizlet home subjects

expert solutions log in sign up science earth science

8 1 a summary of interactions biology libretexts - Sep 13 2022

web 4 section 1 species interaction modern biology review 2019 09 01 mammals in cluding scien tists man agers policy

makers indus try representa tives and stu dents winner

species interactions an interactive introduction to - Mar 19 2023

web interactions that increase the fitness of 1 organism at the expense of another 5 types of predation can be identified 1

herbivores animals that prey on green plants seeds or

section 1 species interaction modern biology review copy dev - Jun 10 2022

web section 1 species interaction modern biology review pdf introduction section 1 species interaction modern biology

review pdf 2023 biology concepts and

section 1 species interaction modern biology review - Nov 03 2021

species interaction revisiting its terminology and concept - Jun 22 2023

web aug 2 2020 more conceptually the term species interaction is misleading because interactions occur between

individuals but not between species in real nature this

[section 1 species interaction modern biology review 2022](#) - Jul 11 2022

web we provide section 1 species interaction modern biology review and numerous ebook collections from fictions to

scientific research in any way along with them is this

section1speciesinteractionmodernbiologyrevie w - Aug 24 2023

web section1speciesinteractionmodernbiologyrevie w videodisc correlatn gd modern biology 99 jul 08 2020 modern biology

and natural theology jan 06 2023 this work re

metabolic modeling of species interaction in the human pnas - Dec 16 2022

web aug 15 2023 a species interaction is the effect that a pair of organisms living together in a community have on each other interactions between organisms can result in positive

species interactions predation and mutualisms weber state - Jan 17 2023

web dec 1 2021 these methods can reveal the environmental conditions and stresses perceived by a species in a polymicrobial system metabolic capabilities of and

species interactions bioninja - Oct 14 2022

web species interaction modern biology review is reachable in our digital library an online right of entry to it is set as public correspondingly you can download it instantly

2 5 species interactions biology libretexts - May 21 2023

web oct 14 2021 describe types of species interactions define competitive exclusion and resource partitioning principles use food webs to infer examples of species interaction

14 introduction to species interactions biology libretexts - Jul 23 2023

web a species interaction is the effect that a pair of organisms living together in a community have on each other interactions range from mutualism which benefits both species

20 1 species interactions flashcards quizlet - Aug 12 2022

web notice section 1 species interaction modern biology review as without difficulty as evaluation them wherever you are now principles of virology volume 1 jane flint

section 1 species interaction modern biology review pdf 2023 - Mar 07 2022

web apr 21 2023 harmful virus inside their computer section 1 species interaction modern biology review is affable in our digital library an online right of entry to it is set as public

experimental systems biology approaches reveal - Nov 15 2022

web a type of interaction in which two or more species use the same limited resource a close long term relationship between two organisms a relationship in which one individual is

section 1 species interaction modern biology review huafay - Feb 06 2022

web unraveling the biology genetics and host environmental interactions of acinetobacter reaction diffusion automata phenomenology localisations computation section 1

higher order effects continuous species interactions and trait - Oct 02 2021

[section 1 species interaction modern biology review zhiqiang](#) - Apr 08 2022

web general ways those species interact section 1 species interaction modern biology review bespoke section 1 species interaction modern biology review modern

section1speciesinteractionmodernbiologyreview pdf - Jan 05 2022

web jan 1 2022 persistently diverse microbial communities are one of biology s great puzzles using a modeling framework that accommodates high mutation rates and a continuum of

higher order effects continuous species interactions - Feb 18 2023

web jul 15 2013 here we use recent advances in systems biology and metabolic modeling to address this challenge augmenting species composition and co occurrence data with

section 1 species interaction modern biology review full pdf - Apr 20 2023

web this book provides a comprehensive interdisciplinary overview of human plant interactions and their social consequences from the hunter gatherers of the palaeolithic era to the

[section 1 species interaction modern biology review](#) - May 09 2022

web jun 4 2023 section 1 species interaction modern biology review section 18 1 review history of taxonomy biology teacher biology study guide chapter 9

[section 1 species interaction modern biology review copy](#) - Dec 04 2021

[engineering metrology by m mahajan pdf uniport edu](#) - May 11 2023

web jun 16 2023 engineering metrology by m mahajan 1 9 downloaded from uniport edu ng on june 16 2023 by guest engineering metrology by m mahajan thank you certainly

engineering metrology and measurements - Apr 10 2023

web index 521 about the authors n v raghavendra is professor and head department of mechanical engineering the national institute of engineering nie mysore he has

a textbook of metrology m mahajan dhanpat rai - Nov 05 2022

web email on info pragationline com if e book is not found sku bs00306 categories engineering mechanical engineering reference textbooks engineering print

pdf engineering metrology and measurements books - Mar 29 2022

web transfer engineering metrology and size choose we have composition ampere list of best standard reference related on engineering metrology and measurements

[pdf engineering metrology and measurements books](#) - Jul 01 2022

web download engineering metrology and abmessungen buch wee have compiled a record from best standard refer sell on engineering metrology and measurements subject

pdf engineering metrology and measurements books - Dec 26 2021

web download engineering metrology and measurements registers we have compiled a list of best standard reference books on technology metrology and measured issue

metrology by m mahajan pdf read book industrial - Jun 12 2023

web metrology by m mahajan read online for get inspect copy scan copy open navigating menu close suggestions look explore en change wording close menu language

engineering metrology 2 pdf surface roughness machines - Feb 08 2023

web engineering metrology 2 free download as pdf file pdf text file txt or read online for free syllabus of metrology

pdf engineering metrology and measurements books - Apr 29 2022

web aug 28 2019 download engineering metrology and messdaten books we have compiled a list of best standard reference books on engineering metrology and

textbook of metrology paperback 1 january 2010 amazon in - Mar 09 2023

web amazon in buy textbook of metrology book online at best prices in india on amazon in read textbook of metrology book reviews author details and more at amazon in

engineering metrology by m mahajan thor byteorbit - Oct 24 2021

web engineering metrology by m mahajan downloaded from thor byteorbit com lin jamari nanotechnology in agriculture and food science springer science business media

a textbook of metrology m mahajan amazon in books - Jul 13 2023

web jan 1 2012 details select delivery location only 1 left in stock sold by student book stall v v nagar and delivered by amazon add to cart buy now secure transaction

pdf engineering metrology and measurements books - May 31 2022

web aug 28 2019 download mechanical metrology both measurements sell we are compiled an list of best standard reference books go engineering metrology and

a textbook of metrology paperback m mahajan flipkart - Jan 07 2023

web a textbook of metrology by m mahajan from flipkart com only genuine products 30 day replacement guarantee free shipping cash on delivery

mechanical measurement and metrology by m mahajan full pdf - Feb 25 2022

web principles and practices of mechanical measurement and metrology for mechanical engineering students theory and

design for mechanical measurements surfaces and

amazon in m mahajan books - Dec 06 2022

web jan 1 2019 s q l by m mahajan 1 january 2016 73 paperback 256 m r p 299 14 off get it by thursday 13 july only 1 left in stock more buying choices 100 11 used

engineering metrology by m mahajan - Nov 24 2021

web engineering metrology by m mahajan is additionally useful you have remained in right site to begin getting this info acquire the engineering metrology by m mahajan

pdf engineering metrology and measurements books - Sep 03 2022

web download engineering metrology and size books we have compiled a list of best standard reference books on engineering metrology both measurements subject

pdf engineering metrology and measurements books - Oct 04 2022

web aug 28 2019 engineering metrology and measurements is a textbook designed for students of mechanical production and allied disciplines to facilitate learning of various

loading interface goodreads - Jan 27 2022

web discover and share books you love on goodreads

engineering metrology by m mahajan uniport edu - Sep 22 2021

web may 10 2023 engineering metrology by m mahajan 1 6 downloaded from uniport edu ng on may 10 2023 by guest engineering metrology by m mahajan

engineering metrology mahajan ams istanbul edu tr - Aug 02 2022

web engineering metrology mahajan downloaded from ams istanbul edu tr by guest reagan underwood quantum metrology imaging and communication springer science

metrology by m mahajan pdf scribd - Aug 14 2023

web this allows ime ante reading of any eee plus or minus frm the veo ponton 15 2092 1962 covers the dal gauges of to types type and typo 2 for general engineering purposes