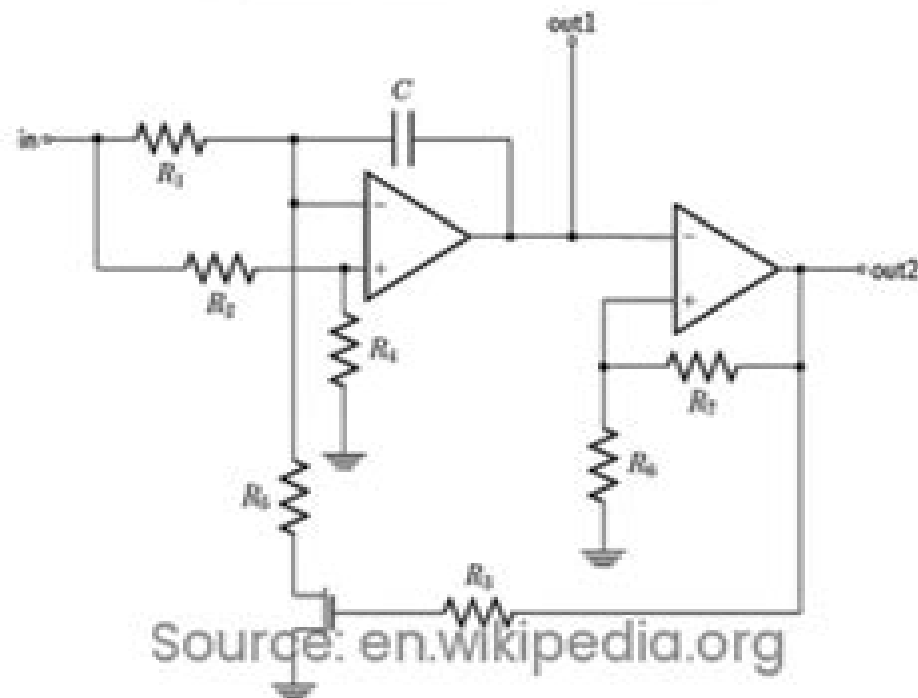


Voltage Controlled Oscillators (Vco)

- Voltage-Controlled Oscillators (VCO) are pivotal in electronic signal processing, with their output frequency proportional to input voltage
- VCOs produce varying waveforms, with Harmonic VCOs generating sinusoidal forms, while Relaxation VCOs yield sawtooth or triangular shapes
- Commonly found in FM radio and phase-locked loops, VCOs are also crucial in tuning other electronic devices
- Performance metrics like tuning sensitivity and phase noise influence VCO design, with the rise of 5G driving advancements in fabrication and materials



Voltage Controlled Oscillator

Rudolf F. Graf



Voltage Controlled Oscillator:

Voltage Controlled Oscillator (VCO) Asim Mahmood Malik,2000 *Design of High-Performance CMOS*

Voltage-Controlled Oscillators Liang Dai,Ramesh Harjani,2012-12-06 Design of High Performance CMOS Voltage Controlled Oscillators presents a phase noise modeling framework for CMOS ring oscillators The analysis considers both linear and nonlinear operation It indicates that fast rail to rail switching has to be achieved to minimize phase noise Additionally in conventional design the flicker noise in the bias circuit can potentially dominate the phase noise at low offset frequencies Therefore for narrow bandwidth PLLs noise up conversion for the bias circuits should be minimized We define the effective Q factor Q_{eff} for ring oscillators and predict its increase for CMOS processes with smaller feature sizes Our phase noise analysis is validated via simulation and measurement results The digital switching noise coupled through the power supply and substrate is usually the dominant source of clock jitter Improving the supply and substrate noise immunity of a PLL is a challenging job in hostile environments such as a microprocessor chip where millions of digital gates are present

Voltage Controlled Oscillator (VCO) Technology Charles A. Bissegger,1980 **A Digital Voltage-controlled Oscillator for Phase Lock Loops** Dominick E. Santarpia,1968 **RF and Microwave Transistor Oscillator Design** Andrei Grebennikov,2007-04-30 The increase of consumer electronics and communications applications using Radio Frequency RF and microwave circuits has implications for oscillator design Applications working at higher frequencies and using novel technologies have led to a demand for more robust circuits with higher performance and functionality but decreased costs size and power consumption As a result there is also a need for more efficient oscillators This book presents up to date information on all aspects of oscillator design enabling a selection of the best oscillator topologies with optimized noise reduction and electrical performance RF and Microwave Transistor Oscillator Design covers analyses of non linear circuit design methods including spectral domain analysis time domain analysis and the quasilinear method information on noise in oscillators including chapters on varactor and oscillator frequency tuning CMOS voltage controlled oscillators and wideband voltage controlled oscillators information on the stability of oscillations with discussions on the stability of multi resonant circuits and the phase plane method optimized design and circuit techniques beginning with the empirical and analytic design approaches moving on to the high efficiency design technique general operation and design principles of oscillators including a section on the historical aspects of oscillator configurations A valuable reference for practising RF and Microwave designers and engineers RF and Microwave Transistor Oscillator Design is also useful for lecturers advanced students and research and design R D personnel **Op Amps: Design, Application, and Troubleshooting** David Terrell,1996 Basic concepts of the integrated operational amplifier Amplifiers Voltage comparators Oscillators Active filters Power supply circuits Signal processing circuits Digital to analog and analog to digital conversion Arithmetic function circuits Nondideal op amp characteristics Specialized devices **Oscillator Circuits** Rudolf F. Graf,1997 The Newnes Circuits

Series provides designers with quick reference guides to various types of circuits and is written by a professional technical writer Each book comes with 250 300 ready to use designs with schematics and explanations Design and Analysis 2.4 GHz Voltage-Controlled Oscillator (VCO) for Low-Phase Noise Muhammad Fakhurulrazi Mohamad Fadzil,2024 This project s scope is centred around the meticulous design and optimization of a Voltage Controlled Oscillator VCO with the specific target of achieving a stable oscillation frequency of 2 4 GHz To realize this goal the VCO will be meticulously crafted utilizing 0 35 m CMOS technology which offers a robust foundation for integrated circuit design A key emphasis of this design endeavor is the implementation of advanced filtering techniques to effectively eliminate extraneous noise sources ultimately leading to improved phase noise performance By harnessing the capabilities of CMOS technology and applying precise filtering strategies this project seeks to deliver a 2 4 GHz VCO that not only meets the frequency requirement but also excels in minimizing phase noise thereby enhancing its suitability for demanding wireless communication applications The methodology employed in this study exclusively utilizes simulation techniques without involving any physical fabrication processes Therefore all results and findings herein are derived solely from computational simulations It is essential to emphasize that no physical prototypes or fabricated components were utilized during this research This research concentrates exclusively on design with simulation as the primary methodological approach The scope of this study imposes constraints on physical fabrication processes Consequently the outcomes are derived solely from simulations conducted within the AWR Cadence software environment While acknowledging the potential variance between simulated results and those obtained through physical implementation it is worth noting that the simulations are expected to closely approximate the performance of the designed system under real world conditions However it is imperative to recognize that the findings are contingent upon the virtual representation within the software thereby **Ciarcia's Circuit Cellar** Steve Ciarcia,1981 Discusses Uses for the Microcomputer Including Projects Methods for Interfacing the Personal Computer with Its Environment **Official Gazette of the United States Patent and Trademark Office** United States. Patent and Trademark Office,2002 **Official Gazette of the United States Patent and Trademark Office** ,2000 **Advances in Silicon Dioxide Research and Application: 2013 Edition** ,2013-06-21 Advances in Silicon Dioxide Research and Application 2013 Edition is a ScholarlyEditions book that delivers timely authoritative and comprehensive information about Diatomaceous Earth The editors have built Advances in Silicon Dioxide Research and Application 2013 Edition on the vast information databases of ScholarlyNews You can expect the information about Diatomaceous Earth in this book to be deeper than what you can access anywhere else as well as consistently reliable authoritative informed and relevant The content of Advances in Silicon Dioxide Research and Application 2013 Edition has been produced by the world s leading scientists engineers analysts research institutions and companies All of the content is from peer reviewed sources and all of it is written assembled and edited by the editors at ScholarlyEditions and available exclusively from us You now have a source

you can cite with authority confidence and credibility More information is available at <http://www.ScholarlyEditions.com>

Official Gazette of the United States Patent Office United States. Patent Office,1966-05 **Adaptive Low-Power Circuits for Wireless Communications** Aleksandar Tasic,Wouter A. Serdijn,John R. Long,2007-03-06 Adaptive radio transceivers require a comprehensive theoretical framework in order to optimize their performance Adaptive Low Power Circuits for Wireless Communications provides this framework with a discussion of joint optimization of Noise Figure and Input Intercept Point in receiver systems Original techniques to optimize voltage controlled oscillators and low noise amplifiers to minimize their power consumption while maintaining adequate system performance are also provided The experimental results presented at the end of the book confirm the utility of the proposed techniques **Voltage-controlled Oscillator (VCO) Design Used in Phase-locked Loops (PLLs) Based on CMOS Process** Chian Hin Teuu,2003 **A Voltage Controlled Oscillator/Mixer** Marion C. Bartlett,Raymond C. Johnson,FLORIDA UNIV GAINESVILLE ENGINEERING AND INDUSTRIAL EXPERIMENT STATION.,1974 A new technique for product mixing of an input signal with a locally generated reference by using a voltage controlled oscillator VCO is described and verified both mathematically and experimentally The technique consists of frequency modulating the oscillator with the signal voltage It is shown that for low index frequency modulation by the signal the sidebands of the oscillator produced by the signal are equivalent to those of a multiplicative mixer with a gain of approximately unity The technique is particularly useful for synchronized IF correlator systems where a function generator can serve to generate the modulation waveform and act as a coherent detector simultaneously Modified author abstract **Analog CMOS Voltage Controlled Oscillator (VCO) in Phase Locked Loop (PLL)** Vern Shyn Khaw,2005 *Design of Integrated Circuits for Optical Communications* Behzad Razavi,2012-09-14 The only book on integrated circuits for optical communications that fully covers High Speed IOs PLLs CDRs and transceiver design including optical communication The increasing demand for high speed transport of data has revitalized optical communications leading to extensive work on high speed device and circuit design With the proliferation of the Internet and the rise in the speed of microprocessors and memories the transport of data continues to be the bottleneck motivating work on faster communication channels *Design of Integrated Circuits for Optical Communications Second Edition* deals with the design of high speed integrated circuits for optical communication transceivers Building upon a detailed understanding of optical devices the book describes the analysis and design of critical building blocks such as transimpedance and limiting amplifiers laser drivers phase locked loops oscillators clock and data recovery circuits and multiplexers The Second Edition of this bestselling textbook has been fully updated with A tutorial treatment of broadband circuits for both students and engineers New and unique information dealing with clock and data recovery circuits and multiplexers A chapter dedicated to burst mode optical communications A detailed study of new circuit developments for optical transceivers An examination of recent implementations in CMOS technology This text is ideal for senior graduate students and engineers involved in high

speed circuit design for optical communications as well as the more general field of wireline communications Voltage
Controlled Oscillator Phase Noise Reduction Technique Céline E. M. Fletcher,2006 A Voltage Controlled Oscillator
Circuit Using Single Channel MOS Technology Sumer Can,1977

Thank you enormously much for downloading **Voltage Controlled Oscillator**. Maybe you have knowledge that, people have seen numerous times for their favorite books later than this Voltage Controlled Oscillator, but stop up in harmful downloads.

Rather than enjoying a good PDF behind a mug of coffee in the afternoon, instead they juggled next some harmful virus inside their computer. **Voltage Controlled Oscillator** is nearby in our digital library an online entry to it is set as public as a result you can download it instantly. Our digital library saves in combination countries, allowing you to get the most less latency epoch to download any of our books once this one. Merely said, the Voltage Controlled Oscillator is universally compatible similar to any devices to read.

<https://letsgetcooking.org.uk/files/publication/fetch.php/study%20guide%20for%20marine%20reptiles%20and%20birds.pdf>

Table of Contents Voltage Controlled Oscillator

1. Understanding the eBook Voltage Controlled Oscillator
 - The Rise of Digital Reading Voltage Controlled Oscillator
 - Advantages of eBooks Over Traditional Books
2. Identifying Voltage Controlled Oscillator
 - Exploring Different Genres
 - Considering Fiction vs. Non-Fiction
 - Determining Your Reading Goals
3. Choosing the Right eBook Platform
 - Popular eBook Platforms
 - Features to Look for in an Voltage Controlled Oscillator
 - User-Friendly Interface
4. Exploring eBook Recommendations from Voltage Controlled Oscillator
 - Personalized Recommendations
 - Voltage Controlled Oscillator User Reviews and Ratings
 - Voltage Controlled Oscillator and Bestseller Lists

5. Accessing Voltage Controlled Oscillator Free and Paid eBooks
 - Voltage Controlled Oscillator Public Domain eBooks
 - Voltage Controlled Oscillator eBook Subscription Services
 - Voltage Controlled Oscillator Budget-Friendly Options
6. Navigating Voltage Controlled Oscillator eBook Formats
 - ePub, PDF, MOBI, and More
 - Voltage Controlled Oscillator Compatibility with Devices
 - Voltage Controlled Oscillator Enhanced eBook Features
7. Enhancing Your Reading Experience
 - Adjustable Fonts and Text Sizes of Voltage Controlled Oscillator
 - Highlighting and Note-Taking Voltage Controlled Oscillator
 - Interactive Elements Voltage Controlled Oscillator
8. Staying Engaged with Voltage Controlled Oscillator
 - Joining Online Reading Communities
 - Participating in Virtual Book Clubs
 - Following Authors and Publishers Voltage Controlled Oscillator
9. Balancing eBooks and Physical Books Voltage Controlled Oscillator
 - Benefits of a Digital Library
 - Creating a Diverse Reading Collection Voltage Controlled Oscillator
10. Overcoming Reading Challenges
 - Dealing with Digital Eye Strain
 - Minimizing Distractions
 - Managing Screen Time
11. Cultivating a Reading Routine Voltage Controlled Oscillator
 - Setting Reading Goals Voltage Controlled Oscillator
 - Carving Out Dedicated Reading Time
12. Sourcing Reliable Information of Voltage Controlled Oscillator
 - Fact-Checking eBook Content of Voltage Controlled Oscillator
 - Distinguishing Credible Sources
13. Promoting Lifelong Learning

- Utilizing eBooks for Skill Development
 - Exploring Educational eBooks
14. Embracing eBook Trends
- Integration of Multimedia Elements
 - Interactive and Gamified eBooks

Voltage Controlled Oscillator Introduction

In this digital age, the convenience of accessing information at our fingertips has become a necessity. Whether its research papers, eBooks, or user manuals, PDF files have become the preferred format for sharing and reading documents. However, the cost associated with purchasing PDF files can sometimes be a barrier for many individuals and organizations. Thankfully, there are numerous websites and platforms that allow users to download free PDF files legally. In this article, we will explore some of the best platforms to download free PDFs. One of the most popular platforms to download free PDF files is Project Gutenberg. This online library offers over 60,000 free eBooks that are in the public domain. From classic literature to historical documents, Project Gutenberg provides a wide range of PDF files that can be downloaded and enjoyed on various devices. The website is user-friendly and allows users to search for specific titles or browse through different categories. Another reliable platform for downloading Voltage Controlled Oscillator free PDF files is Open Library. With its vast collection of over 1 million eBooks, Open Library has something for every reader. The website offers a seamless experience by providing options to borrow or download PDF files. Users simply need to create a free account to access this treasure trove of knowledge. Open Library also allows users to contribute by uploading and sharing their own PDF files, making it a collaborative platform for book enthusiasts. For those interested in academic resources, there are websites dedicated to providing free PDFs of research papers and scientific articles. One such website is Academia.edu, which allows researchers and scholars to share their work with a global audience. Users can download PDF files of research papers, theses, and dissertations covering a wide range of subjects. Academia.edu also provides a platform for discussions and networking within the academic community. When it comes to downloading Voltage Controlled Oscillator free PDF files of magazines, brochures, and catalogs, Issuu is a popular choice. This digital publishing platform hosts a vast collection of publications from around the world. Users can search for specific titles or explore various categories and genres. Issuu offers a seamless reading experience with its user-friendly interface and allows users to download PDF files for offline reading. Apart from dedicated platforms, search engines also play a crucial role in finding free PDF files. Google, for instance, has an advanced search feature that allows users to filter results by file type. By specifying the file type as "PDF," users can find websites that offer free PDF downloads on a specific topic. While downloading Voltage Controlled Oscillator free PDF files is convenient, its

important to note that copyright laws must be respected. Always ensure that the PDF files you download are legally available for free. Many authors and publishers voluntarily provide free PDF versions of their work, but its essential to be cautious and verify the authenticity of the source before downloading Voltage Controlled Oscillator. In conclusion, the internet offers numerous platforms and websites that allow users to download free PDF files legally. Whether its classic literature, research papers, or magazines, there is something for everyone. The platforms mentioned in this article, such as Project Gutenberg, Open Library, Academia.edu, and Issuu, provide access to a vast collection of PDF files. However, users should always be cautious and verify the legality of the source before downloading Voltage Controlled Oscillator any PDF files. With these platforms, the world of PDF downloads is just a click away.

FAQs About Voltage Controlled Oscillator Books

What is a Voltage Controlled Oscillator PDF? A PDF (Portable Document Format) is a file format developed by Adobe that preserves the layout and formatting of a document, regardless of the software, hardware, or operating system used to view or print it. **How do I create a Voltage Controlled Oscillator PDF?** There are several ways to create a PDF: Use software like Adobe Acrobat, Microsoft Word, or Google Docs, which often have built-in PDF creation tools. Print to PDF: Many applications and operating systems have a "Print to PDF" option that allows you to save a document as a PDF file instead of printing it on paper. Online converters: There are various online tools that can convert different file types to PDF. **How do I edit a Voltage Controlled Oscillator PDF?** Editing a PDF can be done with software like Adobe Acrobat, which allows direct editing of text, images, and other elements within the PDF. Some free tools, like PDFescape or Smallpdf, also offer basic editing capabilities. **How do I convert a Voltage Controlled Oscillator PDF to another file format?** There are multiple ways to convert a PDF to another format: Use online converters like Smallpdf, Zamzar, or Adobe Acrobats export feature to convert PDFs to formats like Word, Excel, JPEG, etc. Software like Adobe Acrobat, Microsoft Word, or other PDF editors may have options to export or save PDFs in different formats. **How do I password-protect a Voltage Controlled Oscillator PDF?** Most PDF editing software allows you to add password protection. In Adobe Acrobat, for instance, you can go to "File" -> "Properties" -> "Security" to set a password to restrict access or editing capabilities. Are there any free alternatives to Adobe Acrobat for working with PDFs? Yes, there are many free alternatives for working with PDFs, such as: LibreOffice: Offers PDF editing features. PDFsam: Allows splitting, merging, and editing PDFs. Foxit Reader: Provides basic PDF viewing and editing capabilities. How do I compress a PDF file? You can use online tools like Smallpdf, ILovePDF, or desktop software like Adobe Acrobat to compress PDF files without significant quality loss. Compression reduces the file size, making it easier to share and download. Can I fill out forms in a PDF file? Yes, most PDF viewers/editors like Adobe Acrobat,

Preview (on Mac), or various online tools allow you to fill out forms in PDF files by selecting text fields and entering information. Are there any restrictions when working with PDFs? Some PDFs might have restrictions set by their creator, such as password protection, editing restrictions, or print restrictions. Breaking these restrictions might require specific software or tools, which may or may not be legal depending on the circumstances and local laws.

Find Voltage Controlled Oscillator :

~~study guide for marine reptiles and birds~~

study guide for income maintenance wisconsin

study guide for psychology seventh edition myers

study guide for nocti health assistant test

study guide for qmed

~~study guide for bm2~~

study guide for food safety certification illinois

~~study guide for romeo and juliet~~

study guide for fahrenheit 451 the sieve and sand answers

study guide for math placement test

study guide for instrument fitter

~~study guide for certified medical interpreter~~

study guide for hatchet with answers

study guide holt physical science 07

study guide for inpatient rnc

Voltage Controlled Oscillator :

naturchutzgebiete in hessen band 5 uniport edu - Mar 26 2022

web aug 6 2023 naturchutzgebiete in hessen band 5 but end up in infectious downloads rather than enjoying a good book with a cup of tea in the afternoon instead they cope with some infectious virus inside their computer naturchutzgebiete in hessen band 5 is available in our digital library an

naturchutzgebiete in hessen band 5 pdf wrbb neu - May 28 2022

web this online statement naturchutzgebiete in hessen band 5 can be one of the options to accompany you following having

further time it will not waste your time agree to me the e book will utterly declare you extra matter to read just invest tiny get older to edit this on line publication naturschutzgebiete in hessen band 5 as capably as

[inspire schutzgebiete mapserver hesse](#) - Feb 05 2023

web view footprint in arcgis online map viewer service description vogel natur landschaftsschutzgebiete fauna flora habitat ffh gebiete naturparke nationales naturmonument nationalpark biosphärenreservat von hessen map name schutzgebiete hessen legend

[naturschutzgebiete in hessen band 5 copy wrbb neu](#) - Jun 28 2022

web you could buy lead naturschutzgebiete in hessen band 5 or get it as soon as feasible you could quickly download this naturschutzgebiete in hessen band 5 after getting deal so following you require the ebook swiftly you can straight get it

[naturschutzgebiete in hessen band 5](#) - Oct 01 2022

web may 30 2023 4724485 naturschutzgebiete in hessen band 5 3 8 downloaded from id blockchain idea gov vn on by guest establish a common communication basis for the exchange of knowledge and experience in spatial planning and thus to foster and develop this understanding in the baltic sea region therefore on the basis of a standardized

[naturschutzgebiete in hessen band 5 pdf assets ceu social](#) - Jul 10 2023

web naturschutzgebiete in hessen band 5 whispering the secrets of language an mental journey through naturschutzgebiete in hessen band 5 in a digitally driven world wherever monitors reign great and instant transmission drowns out the subtleties of language the profound strategies and psychological nuances hidden within phrases

[liste der naturschutzgebiete in hessen wikipedia](#) - Oct 13 2023

web liste der naturschutzgebiete in hessen nsg rodawiesen bei rollwald landkreis offenbach nsg hünselburg landkreis waldeck frankenberg nsg hangelstein landkreis gießen diese liste führt die naturschutzgebiete in hessen gegliedert nach landkreisen und kreisfreien städten auf

[naturschutzgebiete in hessen band 5 by lothar nitsche](#) - Dec 03 2022

web naturschutzgebiete in hessen alle infos und tipps hier botanik und naturschutz in hessen band 5 1991 core 2f9df naturschutzgebiete in hessen band 5 read online at naturschutzgebiete in hessen jahrbuch naturschutz in hessen band 17 kalender plan hit radio ffh hessen hält zusammen public group facebook frankfurt wiktionary hessen

[geschützte naturlandschaften in hessen ökoleo umwelt und](#) - Apr 07 2023

web jul 29 2023 naturschutzgebiete sind manchmal sehr klein sie können zum beispiel nur aus einer wiese oder dem uferbereich eines baches bestehen die natur soll sich dort möglichst ungestört entwickeln können es gibt über 760 naturschutzgebiete allein in hessen landschaftsschutzgebiete sind oft etwas größer und schützen besondere

[naturschutzgebiete in hessen band 5 pdf pdf](#) - Nov 02 2022

web naturschutzgebiete in hessen band 5 pdf below title naturschutzgebiete in hessen band 5 pdf pdf created date 6 28 2023 12 08 32 pm

naturschutzgebiete in hessen band 5 pdf wrbb neu - Aug 31 2022

web naturschutzgebiete in hessen band 5 that you are looking for it will unconditionally squander the time however below in the same way as you visit this web page it will be as a result unquestionably easy to acquire as capably as download lead naturschutzgebiete in hessen band 5

kategorie liste naturschutzgebiete in hessen wikipedia - Jan 04 2023

web liste naturschutzgebiete in hessen diese kategorie enthält die listen aller naturschutzgebiete in den landkreisen und kreisfreien städten des deutschen bundeslandes hessen

naturschutzgebiete in hessen band 5 copy wrbb neu - Feb 22 2022

web it is not on the subject of the costs its virtually what you craving currently this naturschutzgebiete in hessen band 5 as one of the most lively sellers here will certainly be accompanied by the best options to review naturschutzgebiete in hessen band 5 2021 02 13 ezra nathaniel

naturschutzgebiete verwaltungsportal hessen - Jun 09 2023

web schutz von natur oder landschaft schutzgebiet biosphärenreservate gebietsbezogener naturschutz nationalparks biotopschutz landschaftsschutz naturparks landschaftsschutzgebiete lesezeichen naturschutzgebiete

[naturschutzgebiete in hessen band 5 by lothar nitsche](#) - May 08 2023

web naturschutz in hessen band 17 kalender plan naturschutzgebiete in hessen band 5 de lothar sms hessen frankfurt wiktionary botanik und naturschutz in hessen band 5 1991 core naturschutzgebiete in hessen schützen erleben pflegen u s *naturschutzgebiete in hessen band 5 uniport edu* - Apr 26 2022

web apr 14 2023 search for them in some cases you likewise reach not discover the declaration naturschutzgebiete in hessen band 5 that you are looking for it will unquestionably squander the time however below similar to you visit this web page it will be correspondingly agreed easy to get as well as download guide naturschutzgebiete

naturschutzgebiete in hessen band 5 pdf uniport edu - Jul 30 2022

web jul 22 2023 naturschutzgebiete in hessen band 5 2 4 downloaded from uniport edu ng on july 22 2023 by guest monatsschrift des deutschen vereins zum schutze der vogelwelt 1974 wechselwirkungen zwischen freizeit tourismus und umweltmedien jörg maier 1988 verzeichnis lieferbarer bücher 1999 missen im landkreis calw 2 peter zimmermann

free pdf download naturschutzgebiete in hessen band 5 - Mar 06 2023

web naturschutzgebiete in hessen band 5 the scribes for women s convents in late medieval germany nov 22 2021 cyrus demonstrates the prevalence of manuscript production by women monastics and challenges current assumptions of how

manuscripts circulated in the late medieval period bibliographic guide to music sep 08 2020

schutzgebiete umwelt hessen de - Sep 12 2023

web in hessen sind in den verschiedenen naturräumen 764 naturschutzgebiete stand 2021 hlnug mit einer gesamtgröße von mehr als 36 000 hektar ausgewiesen siehe natureg Öffnet sich in einem neuen fenster das entspricht einem flächenanteil von circa 1 7 prozent der landesfläche

naturschutzgebiete in hessen alle infos und tipps - Aug 11 2023

web naturschutzgebiete in hessen das bundesland hessen beheimatet insgesamt 760 naturschutzgebiete was einen flächenanteil von 1 8 der hessischen gesamtfläche ausmacht die größten hessischen naturschutzgebiete sind das naturschutzgebiet kühhopf und das naturschutzgebiet mönchbruch

heretic astartes focus the black legion warhammer community - Jan 31 2022

web warhammer 40 000 black legion board game boardgamegeek expansion for warhammer 40 000 sixth edition 6 4 warhammer 40 000 black legion 2013 add

codex supplement black legion warhammer 40k noble - May 15 2023

web codex chaos space marines black legion 2016 author games workshop ltd created date 8 25 2016 3 01 58 pm

black legion a codex chaos space marines supplement - Jan 11 2023

web jul 11 2013 via warhammer 40k wiki the black legion is a a traitor legion of chaos space marines that is the first in infamy if not in treachery whose name resounds as a

warhammer 40 000 black legion board game boardgamegeek - Oct 28 2021

warhammer 40 000 seventh edition codex supplement - Oct 20 2023

web policy for ten thousand years the black legion has fought the armies of the false emperor striking out from the eye of terror to sow ruin and madness among the stars

codex chaos space marines black legion 2016 - Apr 14 2023

web aug 1 2013 black legion a codex chaos space marines supplement games workshop robin cruddace 3 59 17 ratings3 reviews for tens of thousands of years the

warhammer 40 000 codex legion of the damned - Dec 30 2021

war on an epic scale in the age of darkness warhammer - Nov 28 2021

home warhammer games workshop - Apr 02 2022

web a the legion of the damned are primarily meant to act as allies for other imperium forces if your army only contains legion of the damned detachments we suggest agreeing

new codex red corsairs vs black legion warhammer - Aug 06 2022

web jun 16 2022 the upcoming codex chaos space marines gives each traitor legion its own tools to stand out among the rabble including a legion trait stratagems warlord

black legion warhammer 40k wiki fandom - Jul 05 2022

web welcome to warhammer collect build paint play read your new hobby awaits watch video new exclusive view all smaller miniatures bigger battles warhammer

black legion rubric marines r warhammer40k reddit - Mar 01 2022

web nov 12 2023 this set includes two armies split between the legiones astartes and solar auxilia with scores of infantry squadrons of armoured vehicles and even a pair of

black legion codex chaos s m supplement amazon com - Aug 18 2023

web jun 21 2018 new black legion codex hello in another thread someone said there are rumors that there will be a new black legion codex some time after the orcs codex

warhammer 40k codex release dates and news 2023 wargamer - Nov 09 2022

web warhammer 40k battle reportwelcome back sn community it s finally here the new chaos space marines codex in all it s dark glory the boys are playing a 200

[codex warhammer 40 000 wikipedia](#) - Dec 10 2022

web oct 24 2023 the black legion is the current largest warband of chaos space marines formed after the defeat of the sons of horus in the horus heresy the legion was

a codex chaos space marines supplement 6th - Sep 19 2023

web aug 1 2013 a showcase of chaos space marine citadel miniatures presenting warband colours and icons of the black legion a set of supplemental rules including warlord

black legion warhammer 40k lexicanum - Sep 07 2022

web nov 28 2020 both lovely looking armies but this was a complete mismatch the blood angels with a new codex against csm that had a bad codex for the edition it was made

black legion codex supplement next faeit 212 blogger - Oct 08 2022

web the black legion formerly known as the sons of horus and before that as the luna wolves is a traitor legion of chaos space marines that is the first in infamy if not in

blood angels vs black legion 2000pts warhammer 40 000 9th - Jun 04 2022

web i don't think the new csm codex will let you take rubrics in a black legion army but it might let you bring them as allies or maybe in a specialist detachment but if you really want to

new black legion codex r warhammer40k reddit - Jul 17 2023

web oct 15 2023 codex plural codices but codexes is also occasionally used is the name of a source book for warhammer 40 000 armies and factions containing background

legion focus black legion warhammer community - Feb 12 2023

web oct 10 2023 games workshop confirmed several warhammer 40k 10th edition codex release windows during warhammer fest 2023 but not specific dates codex space

make the galaxy tremble with the power of an ancient traitor - May 03 2022

web mar 18 2019 as the stars of the show in vigilus ablaze the black legion are blessed with a host of bespoke rules to complement those found in codex chaos space marines

codices list warhammer 40k lexicanum - Jun 16 2023

web a set of black legion tactical objectives and 7 formation datasheets for codex chaos space marines black legion is designed work alongside the rules found in codex

codex csm 8th ed black legion review bell of lost - Mar 13 2023

web a codex pluralized as codexes by games workshop in the warhammer 40 000 tabletop wargame is a rules supplement containing information concerning a particular army

worm is the game on steam - Mar 05 2022

worm is the game smash worms or slither trying warning incredibly addicting multiplayer game you are a worm and you slither around looking for food to eat to get longer other worms likewise slither around you seeking for food and trying to cut in front of you

worm hunt snake game io zone oyunu online ücretsiz oyna - Nov 13 2022

worm hunt snake game io zone son solucan kazanır worm hunt snake game io zone solucanlar arasında en büyük ve en güçlü solucanı yetiştirebileceğiniz yeni bir çok oyunculu oyundur bu battle royale oyununda birkaç solucan

worms zone io hungry snake apps on google play - Sep 11 2022

oct 13 2023 relax the rules are simple explore the arena collect all the food you see and grow your worms as big as you can imagine there are no limits stand out from the other players choose a skin from the wardrobe or create your own unique style the further you go the more skins you unlock worms zone is also a pvp action game

worm definition of worm by the free dictionary - Dec 14 2022

worm w3:m n 1 animals any of various invertebrates esp the annelids earthworms etc nematodes roundworms and flatworms

having a slender elongated body 2 animals any of various insect larvae having an elongated body such as the silkworm and wireworm

worm hunt crazygames te worm hunt oynayın - Jan 15 2023

yılan worm hunt renkli bir çevrimiçi arenada diğer solucanlara karşı savaştığınız çok oyunculu bir io oyunudur etrafta kıvrılarak solucanınızı büyötmek için yiyecek ve güçlendiriciler toplayın bir sonraki oyuna geçmek için çeşitli görünömler ve *wormate io adventures non stop* - Sep 23 2023

at wormate io you ll enjoy colorful design plenties of sweets and a serious struggle for the first place with the best gamblers from around the world start wormate browser game online and make your pet the longest strongest and fastest it s absolutely free and very funny

worm nedir ne demek - May 07 2022

worm ne demek kurt dökmek kurtlarını dökmek kurt aramak solucan gibi kıvrılarak ilerlemek köpeğin dilaltı sinirini kesmek kurt solucan askarit

worm wikipedia - Aug 22 2023

pseudoceros dimidiatus a flatworm in taxonomy worm refers to an obsolete grouping vermes used by carl linnaeus and jean baptiste lamarck for all non arthropod invertebrate animals now seen to be polyphyletic in 1758 linnaeus created the first hierarchical classification in his systema naturae 4

worm games play worm games online on agame - Dec 02 2021

you can really worm your way into our wonderful worm games team up with these creepy crawlies while they get involved in a few truly colossal battles they re going to find themselves in the middle of some really intense feeding frenzies in a series of free to play io games

tureng worm türkçe İngilizce sözlük - Jul 21 2023

sock headed worm people i çorap başlı solucan insanlar İngilizce türkçe online sözlük tureng kelime ve terimleri çevir ve farklı aksanlarda sesli dinleme worm kurt worm snake yılan worm kurtçuk guinea worm gine kurdu ne demek

worm İngilizce türkçe sözlük cambridge dictionary - Aug 10 2022

worm çevir kurt solucan solucan kurt ağır ağır dikkatle ilerlemek ağızından zorla laf almak daha fazlasını öğrenmek için bkz cambridge İngilizce türkçe sözlük

worm hunt play on crazygames - Nov 01 2021

oct 18 2023 worm hunt is a multiplayer io game where you battle against other worms in a colorful online arena squirm around picking up food and boosters to grow your worm bigger use your coins to buy various skins and upgrades to take into the next game

worm türkçe Çeviri bab la İngilizce türkçe sözlük - Feb 16 2023

solucan isim more vert a worm is computer code that spreads without user interaction expand more solucan kullanıcı etkileşimi olmaksızın yayılan bilgisayar kodudur worm ayrıca wolf volume up kurt isim en [what is a worm cisco](#) - Jun 08 2022

a worm is a type of malware or malicious software that can replicate rapidly and spread across devices within a network as it spreads a worm consumes bandwidth overloading infected systems and making them unreliable or unavailable worms can also change and delete files or introduce other malware

worms solucan virüsü nedir worms solucan virüsüne karşı - Apr 06 2022

feb 9 2021 solucan virüsü tehlikeli virüs türlerinden biridir tehlikeli olmasının sebebi herhangi bir internet sitesinden bulaşabiliyor olması ayrıca solucan virüsünün dosya veya belgeye saklanmasına gerek yoktur yani size birinin kasıtlı olarak bulaştırmasına gerek duymadan bilgisayarınızı ele geçirebilir peki solucan

bilgisayar virüsü veya bilgisayar solucanı nedir kaspersky - Oct 12 2022

ağ solucanının birbirini izleyen her bir kopyası da kendi kendine çoğalabildiği için virüsler internet ve bilgisayar ağları yoluyla hızla yayılabilir bilgisayar virüsü veya bilgisayar solucanı makineye virüs bulaştığından haberiniz olmadan bilgisayarlarda veya bilgisayar ağları aracılığıyla kendi kendine

worm segmented annelid invertebrate britannica - Apr 18 2023

worm any of various unrelated invertebrate animals that typically have soft slender elongated bodies worms usually lack appendages polychaete annelids are a conspicuous exception worms are members of several invertebrate phyla including platyhelminthes flatworms annelida segmented

home worms zone a slithery snake - Jul 09 2022

start growing a worm right now trying to get a real anaconda a small worm never gets stuck in one place he is ready to bite everyone however there is a danger of being eaten by a more successful player

wormax2 io free to play multiplayer game - May 19 2023

control your worm eat food defeat other players and become the largest worm on the server log in team up with your friends and play together new game in the io genre

worm synonyms 368 synonyms antonyms for worm thesaurus - Jan 03 2022

find 368 ways to say worm along with antonyms related words and example sentences at thesaurus com the world s most trusted free thesaurus

worm haberleri son dakika worm haber güncel gelişmeler - Mar 17 2023

may 21 2019 worm son dakika worm haberleri ile ilgili milliyet e eklenecek tüm haberler bu sayfada yer almaktadır geçmişte

yaşanan worm gelişmeleri bugün yaşanan en flaş gelişmeler ve çok daha

wormworld connect servers skins and more - Jun 20 2023

jan 1 2021 wormworld is an online wormate game with exciting features choose your server save kills and hs customize the background color and select a unique wormworld skin join us now and create your own skin at skinlab

worm world connect bu firefox tr uzantısını yükle mozilla - Feb 04 2022

sep 10 2021 worm world connect geliştiren wormworld worm world connect geliştiren wormworld conexão de times e pessoas bu uzantıyı kullanmak için firefox a ihtiyacınız var firefox u indir ve uzantıyı yükle dosyayı indir 332