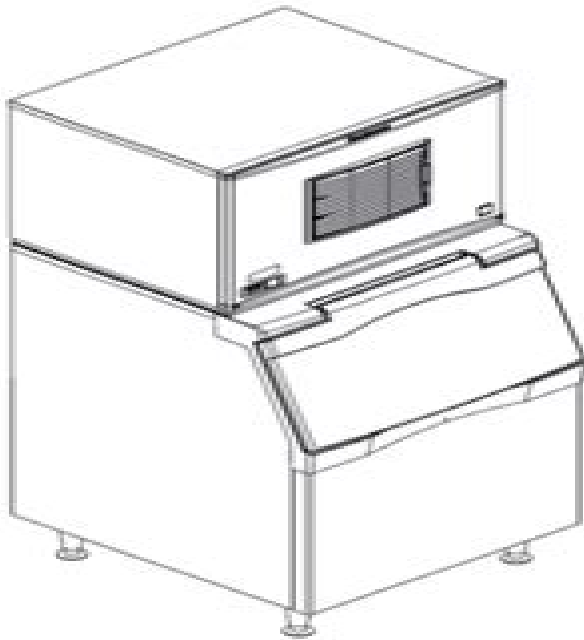




## **Prodigy Series Modular Cuber Technical Service Manual**

**Models C0322, C0522, C0722, C0330, C0530,  
C0630, C0830, C1030, C1448, C1848 and  
C2148**



**Includes Prodigy Plus D Models**

# Scotsman Ice Machine Manual

**B Lingard**



## **Scotsman Ice Machine Manual:**

Right here, we have countless ebook **Scotsman Ice Machine Manual** and collections to check out. We additionally find the money for variant types and furthermore type of the books to browse. The up to standard book, fiction, history, novel, scientific research, as capably as various new sorts of books are readily affable here.

As this Scotsman Ice Machine Manual, it ends occurring swine one of the favored books Scotsman Ice Machine Manual collections that we have. This is why you remain in the best website to look the amazing book to have.

[https://letsgetcooking.org.uk/data/detail/fetch.php/Ski\\_Doo\\_Snowmobile\\_Service\\_Manual\\_Repair\\_2000\\_Ski\\_Doo.pdf](https://letsgetcooking.org.uk/data/detail/fetch.php/Ski_Doo_Snowmobile_Service_Manual_Repair_2000_Ski_Doo.pdf)

## **Table of Contents Scotsman Ice Machine Manual**

1. Understanding the eBook Scotsman Ice Machine Manual
  - The Rise of Digital Reading Scotsman Ice Machine Manual
  - Advantages of eBooks Over Traditional Books
2. Identifying Scotsman Ice Machine Manual
  - Exploring Different Genres
  - Considering Fiction vs. Non-Fiction
  - Determining Your Reading Goals
3. Choosing the Right eBook Platform
  - Popular eBook Platforms
  - Features to Look for in an Scotsman Ice Machine Manual
  - User-Friendly Interface
4. Exploring eBook Recommendations from Scotsman Ice Machine Manual
  - Personalized Recommendations
  - Scotsman Ice Machine Manual User Reviews and Ratings
  - Scotsman Ice Machine Manual and Bestseller Lists
5. Accessing Scotsman Ice Machine Manual Free and Paid eBooks
  - Scotsman Ice Machine Manual Public Domain eBooks

- Scotsman Ice Machine Manual eBook Subscription Services
- Scotsman Ice Machine Manual Budget-Friendly Options
- 6. Navigating Scotsman Ice Machine Manual eBook Formats
  - ePub, PDF, MOBI, and More
  - Scotsman Ice Machine Manual Compatibility with Devices
  - Scotsman Ice Machine Manual Enhanced eBook Features
- 7. Enhancing Your Reading Experience
  - Adjustable Fonts and Text Sizes of Scotsman Ice Machine Manual
  - Highlighting and Note-Taking Scotsman Ice Machine Manual
  - Interactive Elements Scotsman Ice Machine Manual
- 8. Staying Engaged with Scotsman Ice Machine Manual
  - Joining Online Reading Communities
  - Participating in Virtual Book Clubs
  - Following Authors and Publishers Scotsman Ice Machine Manual
- 9. Balancing eBooks and Physical Books Scotsman Ice Machine Manual
  - Benefits of a Digital Library
  - Creating a Diverse Reading Collection Scotsman Ice Machine Manual
- 10. Overcoming Reading Challenges
  - Dealing with Digital Eye Strain
  - Minimizing Distractions
  - Managing Screen Time
- 11. Cultivating a Reading Routine Scotsman Ice Machine Manual
  - Setting Reading Goals Scotsman Ice Machine Manual
  - Carving Out Dedicated Reading Time
- 12. Sourcing Reliable Information of Scotsman Ice Machine Manual
  - Fact-Checking eBook Content of Scotsman Ice Machine Manual
  - Distinguishing Credible Sources
- 13. Promoting Lifelong Learning
  - Utilizing eBooks for Skill Development
  - Exploring Educational eBooks

## 14. Embracing eBook Trends

- Integration of Multimedia Elements
- Interactive and Gamified eBooks

### **Scotsman Ice Machine Manual Introduction**

In today's digital age, the availability of Scotsman Ice Machine Manual books and manuals for download has revolutionized the way we access information. Gone are the days of physically flipping through pages and carrying heavy textbooks or manuals. With just a few clicks, we can now access a wealth of knowledge from the comfort of our own homes or on the go. This article will explore the advantages of Scotsman Ice Machine Manual books and manuals for download, along with some popular platforms that offer these resources. One of the significant advantages of Scotsman Ice Machine Manual books and manuals for download is the cost-saving aspect. Traditional books and manuals can be costly, especially if you need to purchase several of them for educational or professional purposes. By accessing Scotsman Ice Machine Manual versions, you eliminate the need to spend money on physical copies. This not only saves you money but also reduces the environmental impact associated with book production and transportation. Furthermore, Scotsman Ice Machine Manual books and manuals for download are incredibly convenient. With just a computer or smartphone and an internet connection, you can access a vast library of resources on any subject imaginable. Whether you're a student looking for textbooks, a professional seeking industry-specific manuals, or someone interested in self-improvement, these digital resources provide an efficient and accessible means of acquiring knowledge. Moreover, PDF books and manuals offer a range of benefits compared to other digital formats. PDF files are designed to retain their formatting regardless of the device used to open them. This ensures that the content appears exactly as intended by the author, with no loss of formatting or missing graphics. Additionally, PDF files can be easily annotated, bookmarked, and searched for specific terms, making them highly practical for studying or referencing. When it comes to accessing Scotsman Ice Machine Manual books and manuals, several platforms offer an extensive collection of resources. One such platform is Project Gutenberg, a nonprofit organization that provides over 60,000 free eBooks. These books are primarily in the public domain, meaning they can be freely distributed and downloaded. Project Gutenberg offers a wide range of classic literature, making it an excellent resource for literature enthusiasts. Another popular platform for Scotsman Ice Machine Manual books and manuals is Open Library. Open Library is an initiative of the Internet Archive, a non-profit organization dedicated to digitizing cultural artifacts and making them accessible to the public. Open Library hosts millions of books, including both public domain works and contemporary titles. It also allows users to borrow digital copies of certain books for a limited period, similar to a library lending system. Additionally, many universities and educational institutions have their own digital libraries that provide free access to PDF books and manuals. These

libraries often offer academic texts, research papers, and technical manuals, making them invaluable resources for students and researchers. Some notable examples include MIT OpenCourseWare, which offers free access to course materials from the Massachusetts Institute of Technology, and the Digital Public Library of America, which provides a vast collection of digitized books and historical documents. In conclusion, Scotsman Ice Machine Manual books and manuals for download have transformed the way we access information. They provide a cost-effective and convenient means of acquiring knowledge, offering the ability to access a vast library of resources at our fingertips. With platforms like Project Gutenberg, Open Library, and various digital libraries offered by educational institutions, we have access to an ever-expanding collection of books and manuals. Whether for educational, professional, or personal purposes, these digital resources serve as valuable tools for continuous learning and self-improvement. So why not take advantage of the vast world of Scotsman Ice Machine Manual books and manuals for download and embark on your journey of knowledge?

### **FAQs About Scotsman Ice Machine Manual Books**

How do I know which eBook platform is the best for me? Finding the best eBook platform depends on your reading preferences and device compatibility. Research different platforms, read user reviews, and explore their features before making a choice. Are free eBooks of good quality? Yes, many reputable platforms offer high-quality free eBooks, including classics and public domain works. However, make sure to verify the source to ensure the eBook credibility. Can I read eBooks without an eReader? Absolutely! Most eBook platforms offer web-based readers or mobile apps that allow you to read eBooks on your computer, tablet, or smartphone. How do I avoid digital eye strain while reading eBooks? To prevent digital eye strain, take regular breaks, adjust the font size and background color, and ensure proper lighting while reading eBooks. What the advantage of interactive eBooks? Interactive eBooks incorporate multimedia elements, quizzes, and activities, enhancing the reader engagement and providing a more immersive learning experience. Scotsman Ice Machine Manual is one of the best book in our library for free trial. We provide copy of Scotsman Ice Machine Manual in digital format, so the resources that you find are reliable. There are also many Ebooks of related with Scotsman Ice Machine Manual. Where to download Scotsman Ice Machine Manual online for free? Are you looking for Scotsman Ice Machine Manual PDF? This is definitely going to save you time and cash in something you should think about.

### **Find Scotsman Ice Machine Manual :**

**ski doo snowmobile service manual repair 2000 ski doo**

*ski doo mxz 800r power tek 2008 service manual*

*skoda felicia manual*

skyline timing belt diagrams

~~skymaul happy crap you can buy from a plane skymaul~~

~~skeleton parts labeled cut out~~

~~skidoo skandic swt shop manual~~

*sliding compound miter saw manual*

*skills worksheet concept review section how substances dissolve answers*

**skytrak shop manual**

*skills concept review section energy transfer*

*skoda citigo manual radio*

ski doo 800 manual 06

*sketch up users guide*

~~skyjack 3015 parts manual~~

## **Scotsman Ice Machine Manual :**

**international commercial agreements an edinburgh law guide** - May 14 2023

web international commercial agreements an edinburgh law guide ebook written by michala meiselles read this book using google play books app on your pc android ios devices download for

**free pdf download international commercial agreements an edinburgh 1** - Apr 01 2022

web contract of agreement for building an exchange in the city of edinburgh between the magistrates and town council and the tradesmen jun 08 2023 obligations nov 20 2021

international commercial agreements an edinburgh 1 pdf - Jun 03 2022

web international licensing agreements linkages and boundaries in private and public international law interpretation of commercial contracts in european private law

**international commercial agreements an edinburgh 1 copy** - Dec 09 2022

web international commercial agreements an edinburgh 1 quo vadis commercial contract nov 30 2019 this proceedings volume combines chapters derived from papers presented at the 4th and 5th annual conferences on the future of the commercial contract in scholarship and law reform this ongoing research project brings together

*international commercial agreements de gruyter* - Aug 17 2023



web international commercial agreements an edinburgh law guide michala meiselles created date 8 24 2023 8 17 35 am  
*international commercial agreements an edinburgh law guide* - Mar 12 2023

web 1 planning an international commercial agreement overview of chapter contractual considerations form of international commercial agreements formation of international commercial agreements subject matter illegality parties contracting capacity trade barriers dispute resolution need to research local law tort product liability crime  
*international commercial agreements an edinburgh law guide* - May 02 2022

web oct 18 2022 international commercial agreements an edinburgh law guide in today s global economy businesses are expanding their reach beyond their domestic borders this growth is not without its legal implications as companies must navigate the complex landscape of international commercial agreements

**international commercial agreements an edinburgh l full pdf** - Aug 05 2022

web international commercial agreements an edinburgh l contract of agreement for building an exchange in the city of edinburgh between the magistrates and town council and the tradesmen feb 13 2023 contract of the edinburgh and leith whale fishing company nov 17 2020 contract among the members jan 20 2021

**international commercial agreements an edinburgh law guide** - Jan 10 2023

web international commercial agreements an edinburgh law guide by meiselles michala isbn 10 0748679049 isbn 13 9780748679041 edinburgh university press 2013 softcover

download free international commercial agreements an edinburgh l - Sep 06 2022

web international commercial agreements an edinburgh l commercial contracts jul 10 2023 this book aims to explain the principles of contract law for the businessman and to put those principles into their commercial context anyone involved in commercial transactions needs at least a basic understanding of the

*international commercial agreements an edinburgh law guide* - Apr 13 2023

web table of contents dedication acknowledgements table of cases table of statutes preface guide to the book 1 planning an international commercial agreement index overview of chapter abbreviations glossary general planning concerns i form of international commercial agreements ii subject matter of the contract iii

international commercial agreements an edinburgh law guide - Oct 19 2023

web 3 international sales agreements pp 68 111 jstor org stable 10 3366 j ctt1g0b002 10 the law governing the contract will be selected either by the contracting parties in their choice of law clause or in the event that the parties have not made such a selection by the conflict of laws rules

singapore trade agreements international trade administration - Nov 08 2022

web aug 11 2022 the u s singapore free trade agreement fta has been in effect since 2004 singapore also has many bilateral

and regional ftas including with australia china costa rica india japan jordan new zealand republic of korea panama peru sri lanka european union united kingdom and turkey singapore is a participant in the *international commercial agreements an edinburgh law guide* - Jul 16 2023

web jun 1 2013 international commercial agreements an edinburgh law guide june 2013 publisher edinburgh university press authors michelle michala meiselles university of derby download citation

[international commercial agreements an edinburgh l](#) - Jul 04 2022

web 2 international commercial agreements an edinburgh l 2022 03 26 the nature and enforcement of choice of court agreements oxford university press bringing together academics and private international lawyers from a wide range of jurisdictions

**international commercial agreements an edinburgh l download** - Oct 07 2022

web international commercial agreements an edinburgh l short guide to edinburgh edited by l russell muirhead feb 23 2022 transactions and proceedings of the botanical society of edinburgh feb 11 2021 vol 25 the distribution of hepaticæ in scotland by s m macvicar a window in thrums jan 25 2022

[international commercial agreements an edinburgh law guide](#) - Sep 18 2023

web jun 24 2013 a key reference tool for business managers lawyers and students this accessible book covers the essential issues that need to be dealt with when negotiating planning and writing international commercial agreements

**international commercial agreements an edinburgh l pdf** - Feb 11 2023

web international commercial agreements an edinburgh l the history of the houses of douglas and angus aug 20 2021 the transformation of edinburgh dec 24 2021 this is a study of the physical transformation of edinburgh in the nineteenth century the europe of festivals may 29 2022

**internationalcommercialagreementsanedinburghl copy** - Feb 28 2022

web international commercial agreements handbook on the eu and international trade free trade agreements and global labour governance united nations commission on international trade law uncitral yearbook 2015 ex aequo et bono as a response to the over judicialisation of international commercial arbitration

*international commercial agreements an edinburgh law guide* - Jun 15 2023

web when planning negotiating and writing international commercial agreements it is important to know exactly what essential issues need to be addressed what considerations do you need to take into account when planning an agreement what writing techniques will ensure that your contract is suited to your needs

**left behind a novel of the earth s last days paperback** - Mar 10 2023

web apr 1 2011 amazon ca sold by amazon ca return policy eligible for return refund or replacement within 30 days of

receipt add gift options buy used 13 62 have one to sell sell on amazon see all 5 images follow the authors tim lahaye jerry b jenkins left behind a novel of the earth s last days paperback illustrated april 1 2011

*left behind a novel of the earth s last days left behind series* - Jul 02 2022

web apr 1 2011 left behind a novel of the earth s last days left behind series 1 by tim lahaye jerry b jenkins write a review paperback 15 99 paperback 15 99 ebook 11 99 view all available formats editions ship this item qualifies for free shipping choose expedited shipping at checkout for delivery by wednesday september 13

left behind a novel of the earth s last days google play - Nov 06 2022

web left behind a novel of the earth s last days audiobook written by jerry b jenkins tim lahaye narrated by richard ferrone get instant access to all your favorite books no monthly commitment listen online or offline with android ios web chromecast and google assistant try google play audiobooks today

*left behind a novel of the earth s last days kindle edition* - Dec 07 2022

web mar 16 2011 left behind a novel of the earth s last days kindle edition by lahaye tim jenkins jerry b download it once and read it on your kindle device pc phones or tablets use features like bookmarks note taking and highlighting while reading

left behind a novel of the earth s last days

left behind a novel of the earth s last days apple books - Jan 28 2022

web jan 20 1999 just like any other day riding the bus listening to a ballgame flying across the atlantic normal then in a fraction of a second this day becomes like no other day in history take your imagination on a journey what would it be like if hundreds of thousands just disappeared off t

left behind a novel of the earth s last days google arts - Dec 27 2021

web left behind a novel of the earth s last days is a best selling novel by tim lahaye and jerry b jenkins that starts the left behind series

**left behind a novel of the earth s last days google books** - Mar 30 2022

web left behind a novel of the earth s last days an airborne boeing 747 is headed to london when without any warning passengers mysteriously disappear from their seats terror and chaos

left behind a novel of the earth s last days kindle edition - Feb 26 2022

web left behind a novel of the earth s last days an airborne boeing 747 is headed to london when without any warning passengers mysteriously disappear from their seats terror and chaos slowly spread not only through the plane but also worldwide as unusual events continue to unfold

left behind a novel of the earth s last days google books - Jan 08 2023

web book 1 in the best selling left behind series is available once again in mass paper airline pilot captain rayford steele

guides his terror filled 747 back to the ground with more than 100

*left behind a novel of the earth s last days google books* - Sep 04 2022

web it s been 10 years since the release of the best selling left behind series to commemorate the publisher is releasing a 10th anniversary limited edition at a special low price of 9 97 special features include a full color pull out timeline with tim lahayes prophecy notes behind the scenes commentary from jerry jenkins and letters from

*left behind novel wikipedia* - Aug 15 2023

web left behind a novel of the earth s last days is a best selling novel by tim lahaye and jerry b jenkins that starts the left behind series this book and others in the series give narrative form to a specific eschatological reading of the christian bible particularly the book of revelation inspired by dispensationalism and premillennialism

*left behind a novel of the earth s last days by lahaye tim f* - Aug 03 2022

web left behind a novel of the earth s last days by lahaye tim f jenkins jerry b 1995 hardcover hardcover 5 284 ratings book 1 of 13 left behind see all formats and editions kindle 10 06 read with our free app audiobook 0 00 free with your audible trial hardcover 7 75 28 used from 5 75 6 new from 40 53 paperback

left behind a novel of the earth s last days google play - Feb 09 2023

web left behind a novel of the earth s last days ebook written by tim lahaye jerry b jenkins read this book using google play books app on your pc android ios devices download for offline reading highlight bookmark or take notes while you read left behind a novel of the earth s last days

left behind a novel of the earth s last days - Jun 13 2023

web left behind a novel of the earth s last days is a best selling novel by tim lahaye and jerry b jenkins that starts the left behind series it gives narrative form to a specific eschatological reading of the christian bible particularly the book of revelation

**left behind a novel of the earth s last days 1 amazon co uk** - Oct 05 2022

web apr 1 2011 buy left behind a novel of the earth s last days 1 illustrated by tim lahaye isbn 0031809134900 from amazon s book store everyday low prices and free delivery on eligible orders

left behind a novel of the earth s last days google books - Apr 11 2023

web for those who have been left behind the apocalypse has just begun this fictional account of life after the rapture delivers an urgent call to today s readers to prepare their own hearts and

*left behind a novel of the earth s last days 1 paperback* - Jun 01 2022

web left behind a novel of the earth s last days an airborne boeing 747 is headed to london when without any warning passengers mysteriously disappear from their seats terror and chaos slowly spread not only through the plane but also

worldwide as unusual events continue to unfold

*left behind a novel of the earth s last days worldcat org* - Apr 30 2022

web get this from a library left behind a novel of the earth s last days tim lahaye jerry b jenkins after millions of people around the world vanish in one moment in what many claim to be the rapture rayford steele begins a search for the truth amidst global chaos

*left behind a novel of the earth s last days amazon com* - Jul 14 2023

web apr 1 2011 left behind a novel of the earth s last days an airborne boeing 747 is headed to london when without any warning passengers mysteriously disappear from their seats terror and chaos slowly spread not only through the plane but also worldwide as unusual events continue to unfold for those who have been left behind the apocalypse

**left behind a novel of the earth s last days google books** - May 12 2023

web mar 16 2011 terror and chaos slowly spread not only through the plane but also worldwide as unusual events continue to unfold for those who have been left behind the apocalypse has just begun a repackage

**how to write a thesis 5e by tietelbaum book 2003** - Aug 04 2022

web find many great new used options and get the best deals for how to write a thesis 5e by tietelbaum book 2003 at the best online prices at ebay free delivery for many products how to write a thesis 5e by tietelbaum book 2003 for sale online ebay *thesis harvard college writing center* - Jan 09 2023

web thesis your thesis is the central claim in your essay your main insight or idea about your source or topic your thesis should appear early in an academic essay followed by a logically constructed argument that supports this central claim

**how to write a thesis 5e by harry teitelbaum arco alibris uk** - Sep 05 2022

web buy how to write a thesis 5e by harry teitelbaum arco online at alibris uk we have new and used copies available in 1 editions starting at 8 49 shop now

[how to write a thesis 5e amazon com](#) - Aug 16 2023

web may 15 2003 how to write a thesis 5e revised subsequent edition how to write a thesis 5e revised subsequent edition explains how to select and define a topic do research develop a bibliography take notes organize a

**how to write a thesis 5e patrick lambrix** - Jun 02 2022

web include the best arrangement of that information and the most appropriate language to use the text moves students through the steps that constitute successful writing from finding appropriate topics and writing clear thesis statements to arranging ideas and developing initial drafts the writer s harbrace handbook brief 5e

**how to write a thesis better world books** - Nov 07 2022

web may 15 2003 how to write a thesis by harry teitelbaum arco paperback book 144 pages see other available editions

description great as do it yourself starters pocket references or exercise books these 3 new step by step volumes help students business professionals and anyone keen on self improvement become more productive in school

**how to write a thesis 5e arco how to write a thesis** - Jul 15 2023

web buy how to write a thesis 5e arco how to write a thesis 5 by tiettelbaum isbn 9780768910810 from amazon s book store everyday low prices and free delivery on eligible orders

**how to write a thesis 5e how to write a thesis open library** - Apr 12 2023

web apr 15 2003 how to write a thesis by harry teitelbaum april 15 2003 arco edition paperback in english 5 edition

**how to write a thesis steps by step guide thesismind** - Oct 06 2022

web jul 12 2019 steps in writing a thesis first think about good topics and theories that you can write before writing the thesis then pick a topic the topic or thesis statement is derived from a review of existing literature in the area

how to write a thesis 5e arco 9780768910810 books - Mar 11 2023

web may 15 2003 how to write a thesis 5e arco 9780768910810 books amazon ca skip to main content ca hello select your address books select the department you want to search in search amazon ca en hello sign in account lists

9780768910810 how to write a thesis 5e how to write a thesis - Feb 10 2023

web may 15 2003 how to write a thesis 5e by arco arco paperback good spine creases wear to binding and pages from reading may contain limited notes underlining or highlighting that does affect the text

**the effect of the 5e model in writing on** - May 13 2023

web title the effect of the 5e model in writing on achievement and motivation author cazibe yĪĜĪt abstract the aim of this study is to find out the effect of writing instruction based on the 5e model on achievement and motivation this thesis which is a quasi experimental action research explores the probable effects of the 5e model based

**teaching 5th graders how to write a thesis statement** - Feb 27 2022

web mar 27 2018 bring in past students work write your own thesis in front of them do the thesis statement sheet available below with them a few times go slowly for each step the idea isn t getting your students to finish the thesis statement quickly the idea is for them to learn how to craft their own argument and write it clearly

**how to write a thesis statement 4 steps examples scribbr** - Jun 14 2023

web jan 11 2019 you can write your thesis statement by following four simple steps start with a question write your initial answer develop your answer refine your thesis statement table of contents what is a thesis statement placement of the thesis statement step 1 start with a question step 2 write your initial answer step 3 develop your answer

*how to write a thesis 5e paperback import 15 may 2003* - Jul 03 2022

web amazon in buy how to write a thesis 5e book online at best prices in india on amazon in read how to write a thesis 5e

book reviews author details and more at amazon in free delivery on qualified orders

[how to write a thesis 5e by tietelbaum amazon ae](#) - Dec 08 2022

web buy how to write a thesis 5e by tietelbaum online on amazon ae at best prices fast and free shipping free returns cash on delivery available on eligible purchase

**how to write a thesis 5e arco how to write a thesis** - May 01 2022

web may 15 2003 how to write a thesis 5e arco how to write a thesis arco 2003 05 15 paperback good

**thesis 5 answers crossword clues** - Jan 29 2022

web synonyms of thesis using a synonym can be a good alternative for using thesis you might be able to find more answers by using these critique dissertation essay exposition paper and tract more crossword answers we found 5 answers for the crossword clue thesis a further 25 clues may be related

**how to write a thesis 5 e arco how to write a thesis arco** - Mar 31 2022

web how to write a thesis 5 e arco how to write a thesis arco pagan christian creeds rate this book 4 4 the learner experience in moocs sins of the father ravage riders mc by nikki landis borrow 392171 the 2021 open education conference is made possible by generous support from the william and flora hewlett foundation and the

**5th grade thesis writing teaching resources teachers pay teachers** - Dec 28 2021

web easy no prep minilesson that will teach your students how to write a thesis statement if you purchased the beginning a persuasive essay writing mini lesson this is the next lesson this lesson will take about 10 minutes and is designed for 3rd 5th grade students it will teach students what a thesis statement is the structure for writing